

US00D964663S

(12) **United States Design Patent**
Robison

(10) **Patent No.:** **US D964,663 S**

(45) **Date of Patent:** **** Sep. 20, 2022**

(54) **ROUND BALE HAY FEEDER**

(71) Applicant: **Jackie Chesnutt**, Knickerbocker, TX
(US)

(72) Inventor: **Dennis Robison**, Knickerbocker, TX
(US)

(**) Term: **15 Years**

(21) Appl. No.: **29/829,376**

(22) Filed: **Mar. 4, 2022**

CPC .. A01K 5/00-007; A01K 5/01; A01K 5/0107;
A01K 7/00; A01K 1/10; A01G 9/02;
A01G 9/021; A01G 9/029; A01G 9/0291;
A01G 9/12; A01G 9/16; A01G 9/022;
A01G 9/027; A01G 9/1423; A01G
9/1438; A47H 27/00; Y10S 119/90; Y02A
40/254; A01D 90/00; A01D 90/08; A01D
87/122; A01F 25/12; A01F 25/125; A01F
25/13; A01F 25/14

See application file for complete search history.

Related U.S. Application Data

(63) Continuation of application No. 29/726,648, filed on
Mar. 4, 2020, now Pat. No. Des. 948,807, which is a
(Continued)

(51) **LOC (13) Cl.** **30-03**

(52) **U.S. Cl.**

USPC **D30/131**

(58) **Field of Classification Search**

USPC D30/133, 121, 122, 124, 127, 128, 132,
D30/129-131; 119/51.01, 61, 51.04, 53,
119/57.91, 54, 53.5, 52.4, 51.11, 63, 61.2,
119/52.1, 57.5, 57.6, 51.13, 62, 75, 500,
119/501, 73, 74, 51.12, 51.5, 52.2, 61.1,
119/60, 58, 59, 61.4; 239/7, 687, 379,
239/397.5; 222/199, 181.1, 181.2, 185.1,
222/557, 156, 485, 486, 548, 555;
220/628, 200, 227, 247, 262, 697-702,
220/4.12, 4.16; 221/174, 185.1, 289, 295,
221/296, 559; 454/35; 209/270, 283,
209/244; 52/194, 192; 49/279, 344, 357;
D34/28; D7/409, 601; 211/181.1;
414/24.5; D32/53.1; 15/260, 262, 264,
15/257.01, 257.05, 257.06; 118/419;
D9/424, 429; D8/1; D11/143, 144;
47/18, 65, 65.5, 66.1, 66.6, 66.7, 86, 39,
47/41.11, 41.1, 41.14, 901, 33, 73, 44,
47/46, 48.5, DIG. 3

(56) **References Cited**

U.S. PATENT DOCUMENTS

3,906,901 A 9/1975 Cox
3,995,594 A * 12/1976 Rose A01K 5/0107
414/24.5

(Continued)

Primary Examiner — Susan Moon Lee

(74) *Attorney, Agent, or Firm* — Sean Christian Connolly

(57) **CLAIM**

The ornamental design for a round bale hay feeder, as shown
and described.

DESCRIPTION

FIG. 1 is a perspective view of a round bale hay feeder of
the present design;

FIG. 2 is a front view of a round bale hay feeder of the
present design;

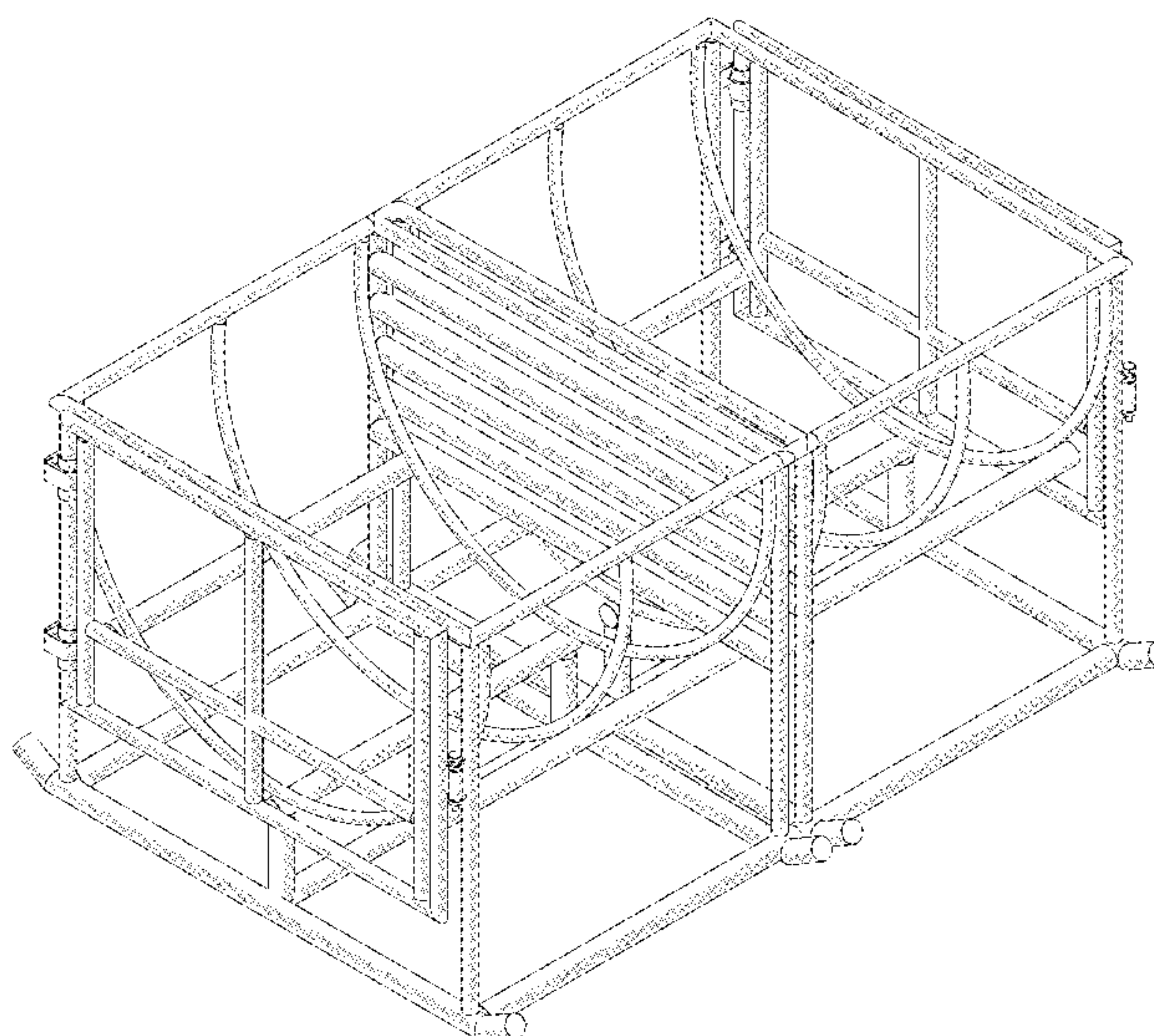
FIG. 3 is a rear view of a round bale hay feeder of the present
design;

FIG. 4 is a side view of a round bale hay feeder of the present
design; and,

FIG. 5 is a top view of a round bale hay feeder of the present
design.

Any shading and cross-hatching are not features of the
design but are utilized to illustrate the surface contours of the
round bale saddle feeder design in the drawings.

1 Claim, 5 Drawing Sheets



Related U.S. Application Data

continuation of application No. 15/408,108, filed on Jan. 17, 2017, now abandoned.

(56)

References Cited

U.S. PATENT DOCUMENTS

4,044,967	A	8/1977	Guichon	
4,053,071	A	10/1977	Schrag et al.	
4,266,899	A	5/1981	Skeem	
4,330,231	A	5/1982	Brewer	
4,428,707	A	1/1984	Cockle et al.	
4,443,146	A	4/1984	Duncan	
4,545,716	A	10/1985	Pearce	
5,030,053	A	7/1991	Wickizer	
5,158,040	A	10/1992	Martin	
5,203,658	A	4/1993	Henderson	
5,311,840	A *	5/1994	Rumbaugh	A01K 1/10 119/60
5,361,724	A	11/1994	Kuhns	
5,368,238	A	11/1994	Bergkamp et al.	
5,496,145	A	3/1996	Monin	
D371,228	S *	6/1996	Monin	D30/131
5,586,519	A	12/1996	Wilkinson	
D397,530	S *	8/1998	Lile	D30/131
5,865,589	A	2/1999	Reyher et al.	
5,899,169	A *	5/1999	Jenson	A01K 5/0291 119/51.13
5,921,202	A	7/1999	Schulz	
6,006,696	A	12/1999	Mann et al.	
D423,735	S *	4/2000	Lile	D30/131
6,213,053	B1	4/2001	Lammers	
D451,649	S *	12/2001	Lovell	A01K 5/01 D30/131

6,481,373	B2	11/2002	Swetzig	
D472,681	S *	4/2003	Melius	A01K 5/01 D30/133
6,789,504	B1	9/2004	O'Neill	
6,951,189	B1	10/2005	Lienemann	
D548,896	S *	8/2007	Stewart	D30/131
7,644,682	B2	1/2010	Lerner et al.	
D613,093	S *	4/2010	Snider	A47J 31/44 D7/704
D629,258	S *	12/2010	Tiemann	D7/600.4
D635,799	S *	4/2011	Snider	A47J 31/44 D6/678.4
8,181,600	B2 *	5/2012	Smith	A01D 87/122 119/58
8,555,815	B2 *	10/2013	Hofer	A01K 5/01 119/58
8,720,373	B1 *	5/2014	Tesinsky	A01K 5/00 119/61.2
10,561,119	B2 *	2/2020	McAlister	A01K 5/01
11,000,010	B2 *	5/2021	Studebaker, Jr.	A01K 5/01
11,109,565	B2 *	9/2021	Chvala	A01K 1/10
D948,807	S *	4/2022	Robison	D30/131
2002/0018702	A1	2/2002	Stredwick et al.	
2002/0195060	A1 *	12/2002	Dollahan	A01K 5/01 119/58
2006/0070580	A1	4/2006	Klene	
2009/0169340	A1 *	7/2009	Smith	A01D 87/122 280/28.12
2010/0212597	A1	8/2010	Wolfe	
2010/0263597	A1	10/2010	Kerns	
2015/0289449	A1	10/2015	Greer	
2018/0199539	A1 *	7/2018	Robison	A01K 5/01

* cited by examiner

FIG. 1

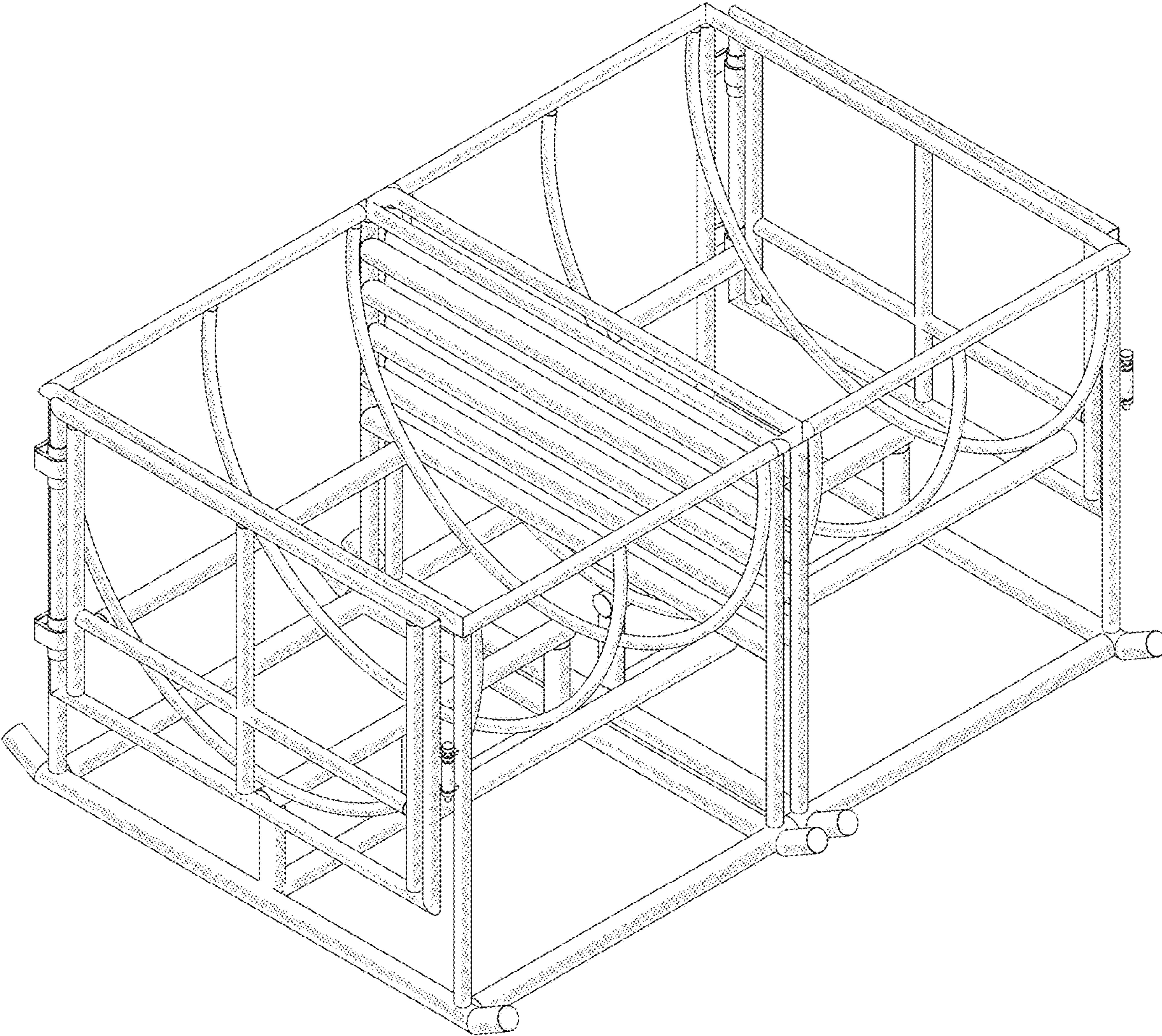


FIG. 2

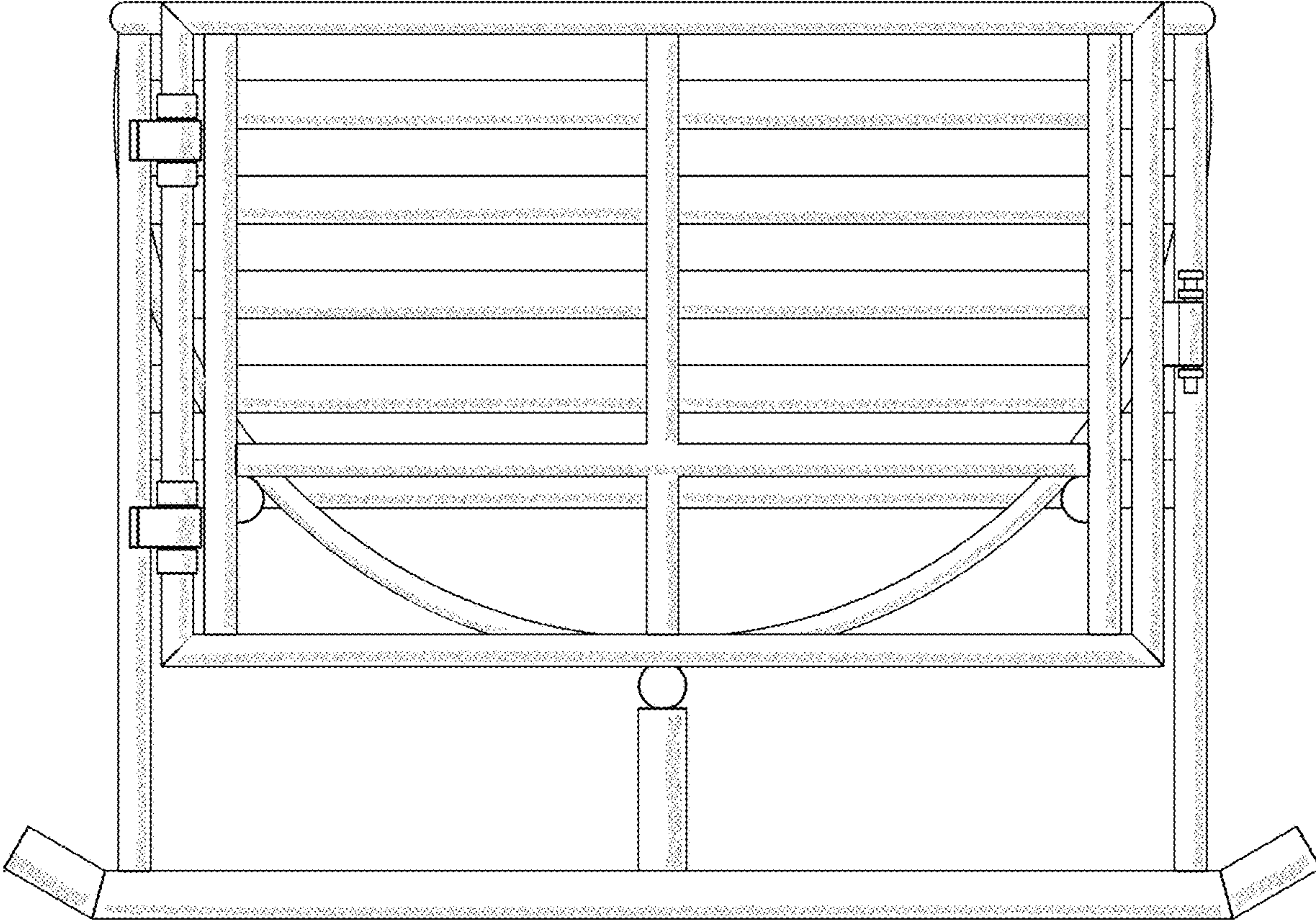


FIG. 3

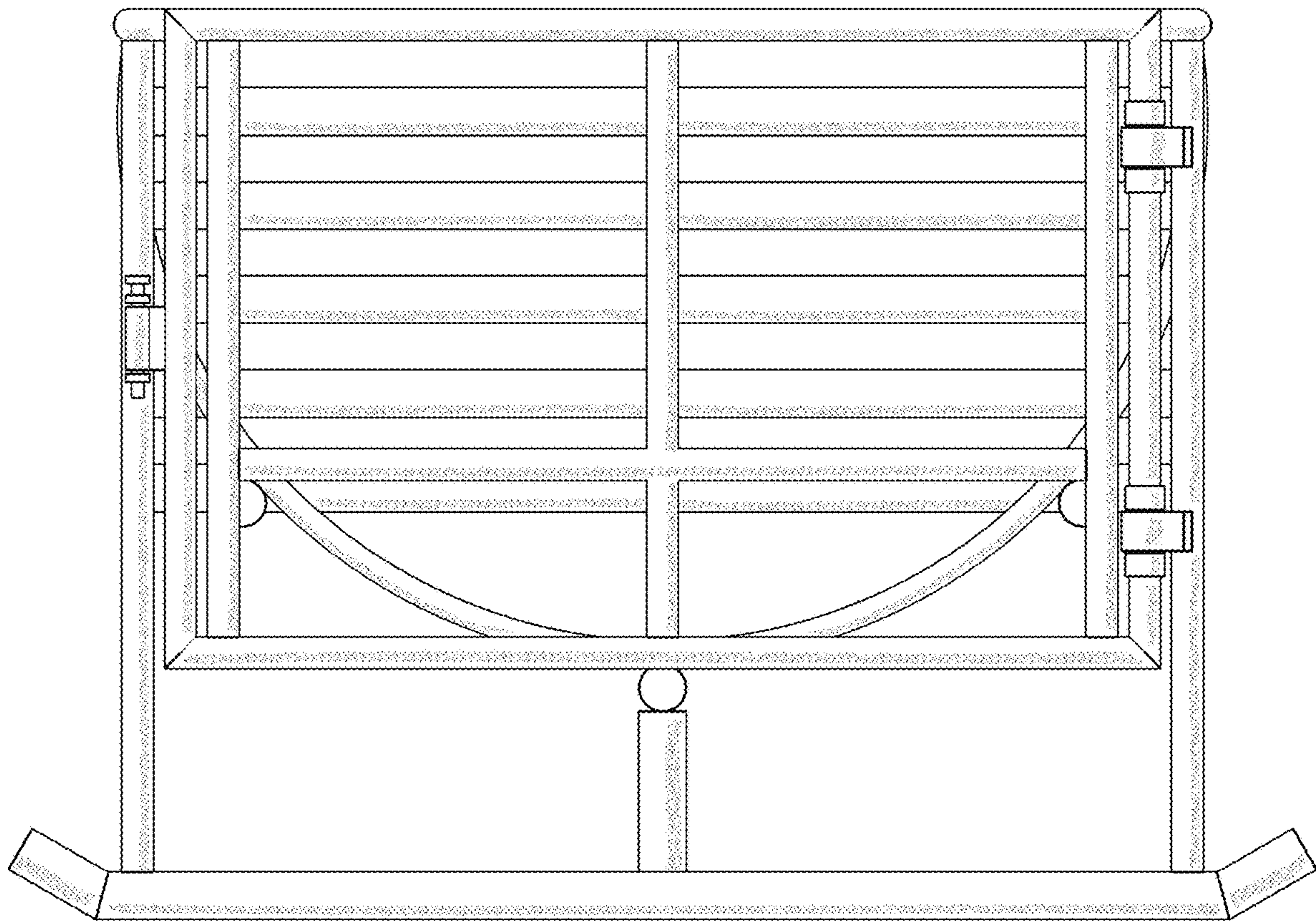


FIG. 4

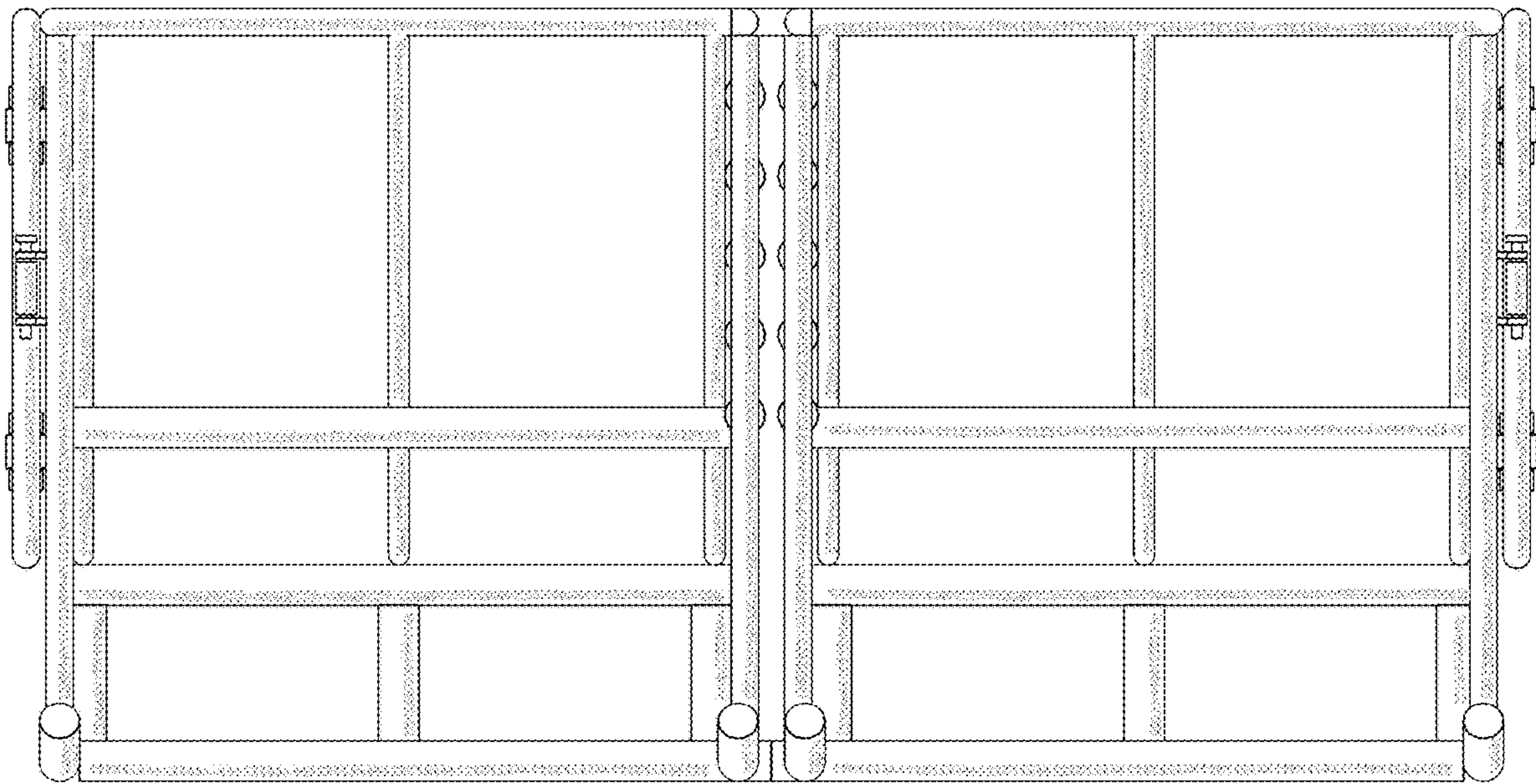


FIG. 5

