



US00D964660S

(12) **United States Design Patent** (10) **Patent No.:** **US D964,660 S**
Sternke (45) **Date of Patent:** **** Sep. 20, 2022**

(54) **FIST BAND**
(71) Applicant: **Andrew D. Sternke**, Keller, TX (US)
(72) Inventor: **Andrew D. Sternke**, Keller, TX (US)
(**) Term: **15 Years**
(21) Appl. No.: **29/747,922**
(22) Filed: **Aug. 26, 2020**
(51) **LOC (13) Cl.** **29-02**
(52) **U.S. Cl.**
USPC **D29/113**
(58) **Field of Classification Search**
USPC D29/113–115, 117.1, 117.2, 118, 119,
D29/123
CPC A41D 13/082; A41D 13/081
See application file for complete search history.

2009/0183299 A1 7/2009 Conway
2011/0247125 A1 10/2011 Fournier
2016/0037840 A1 2/2016 Basik

OTHER PUBLICATIONS

Lifting Grips, posted at gympaws.com, posting date not given, [online], [site visited May 20, 2022]. Available from Internet, URL: <https://www.gympaws.com/shop/leather-lifting-grips-black> (Year: 2022).*

Reaqer Hand Contracture Cushion Palm Grip, posted at amazon.com, posting date Jul. 7, 2020, [online], [site visited May 20, 2022]. Available from Internet, URL: <https://www.amazon.com/REAQER-Hand-Contracture-Cushion/dp/B08CSLPMY?th=1> (Year: 2020).*

Sweatswat, posted at bizjournals.com, posting date Oct. 22, 2020, [online], [site visited May 20, 2022]. Available from Internet, URL: <https://www.bizjournals.com/dallas/inno/stories/profiles/2020/10/22/sweatswat-andrew-sternke.html> (Year: 2020).*

* cited by examiner

Primary Examiner — Maria J. Edwards
(74) *Attorney, Agent, or Firm* — Brooks, Cameron & Huebsch, PLLC

(56) **References Cited**

U.S. PATENT DOCUMENTS

2,071,365 A * 2/1937 Stroop A47L 13/19
15/209.1
2,375,129 A * 5/1945 Norton A47J 45/10
81/3.4
D257,408 S 10/1980 Talty
D303,725 S * 9/1989 Rojko D28/63
5,329,638 A 7/1994 Hansen et al.
D363,146 S * 10/1995 Pando D29/113
5,479,660 A * 1/1996 Najac A41D 13/082
2/161.1
D506,293 S * 6/2005 Trawinski D29/120.1
D748,339 S * 1/2016 Yakubovich D29/113
D799,121 S * 10/2017 Jacobs D29/113
D829,385 S * 9/2018 Ivany D29/113
D837,457 S * 1/2019 Lesosky D29/113
D940,343 S * 1/2022 Seibert D24/206
2008/0107473 A1 * 5/2008 Deleonardis A46B 9/005
401/196

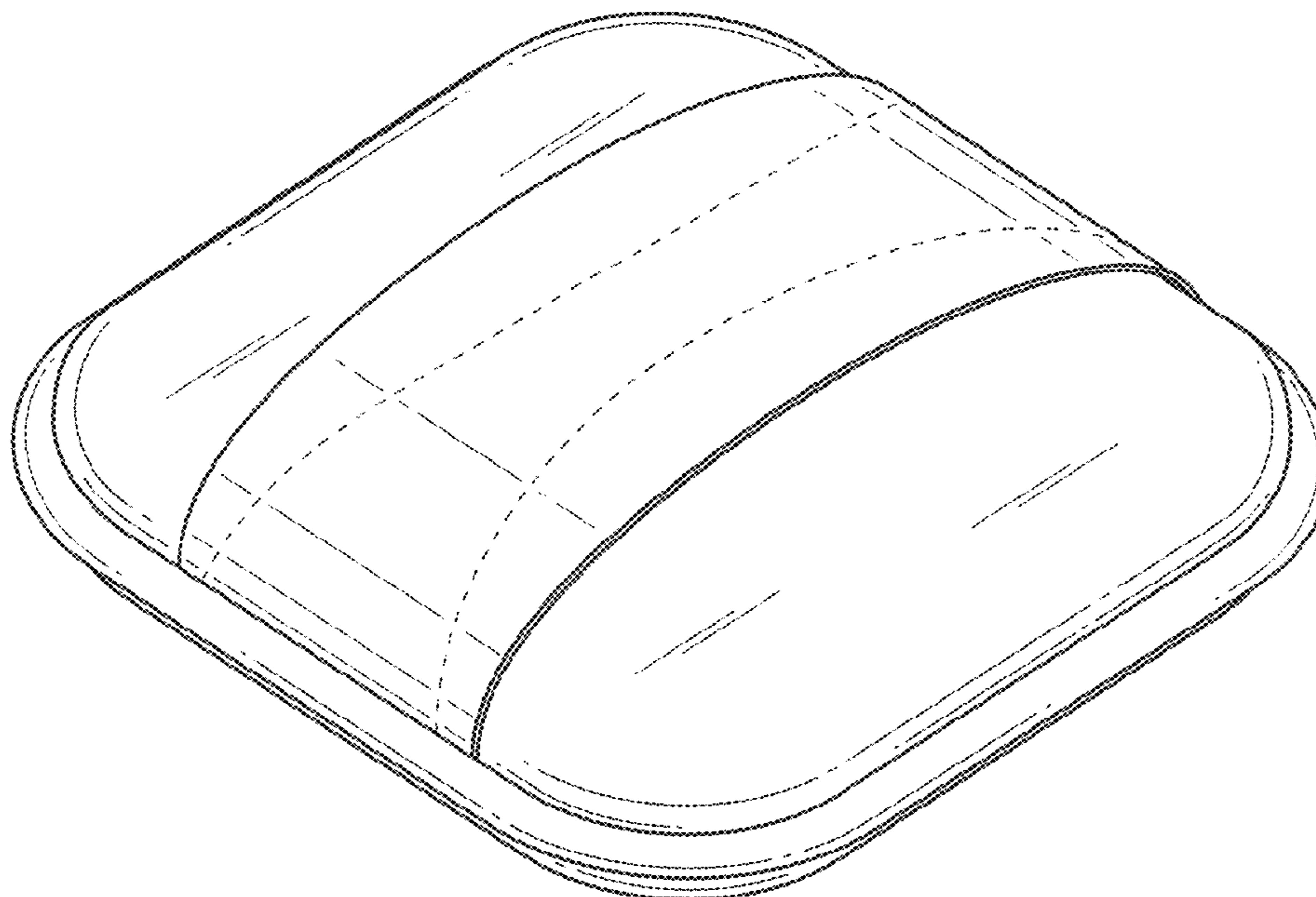
(57) **CLAIM**

The ornamental design for a fist band, as shown and described.

DESCRIPTION

FIG. 1 is an angled top perspective view of a fist band showing my new design;
FIG. 2 is top view thereof;
FIG. 3 is a bottom view thereof;
FIG. 4 is a side view thereof; and,
FIG. 5 is another side view thereof.
The broken lines illustrate environmental structure and form no part of the claimed design.

1 Claim, 5 Drawing Sheets



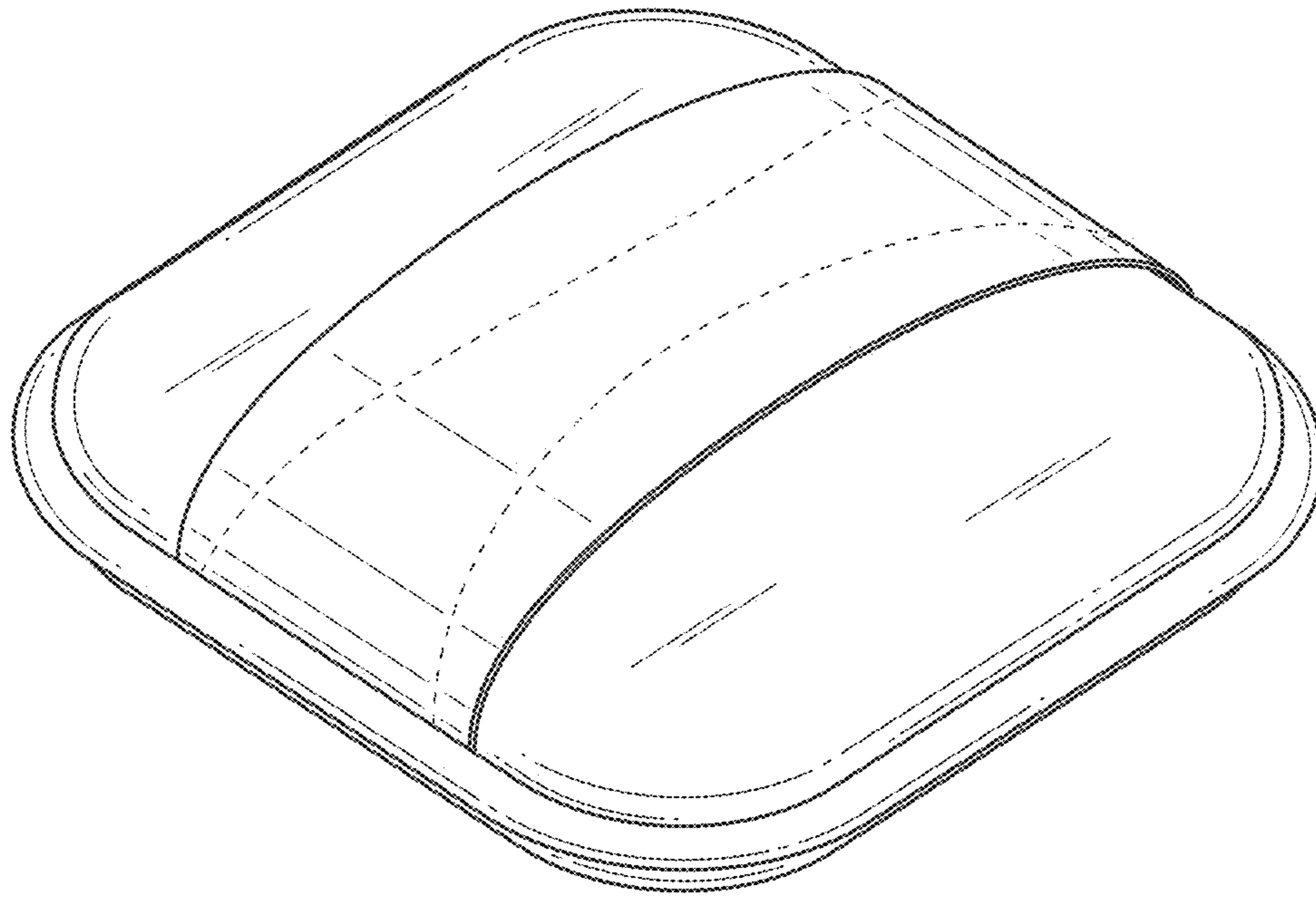


Fig. 1

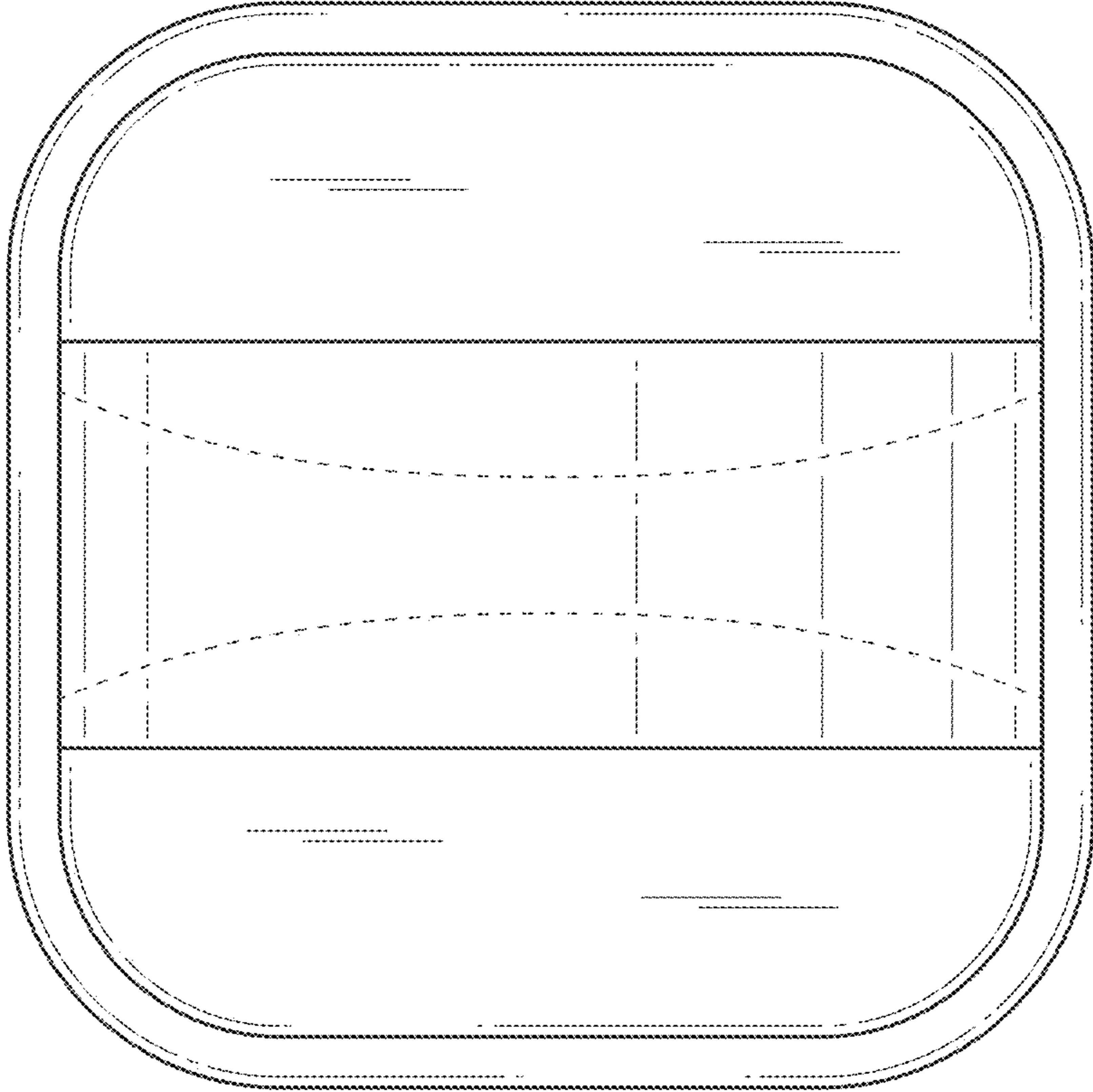


Fig. 2

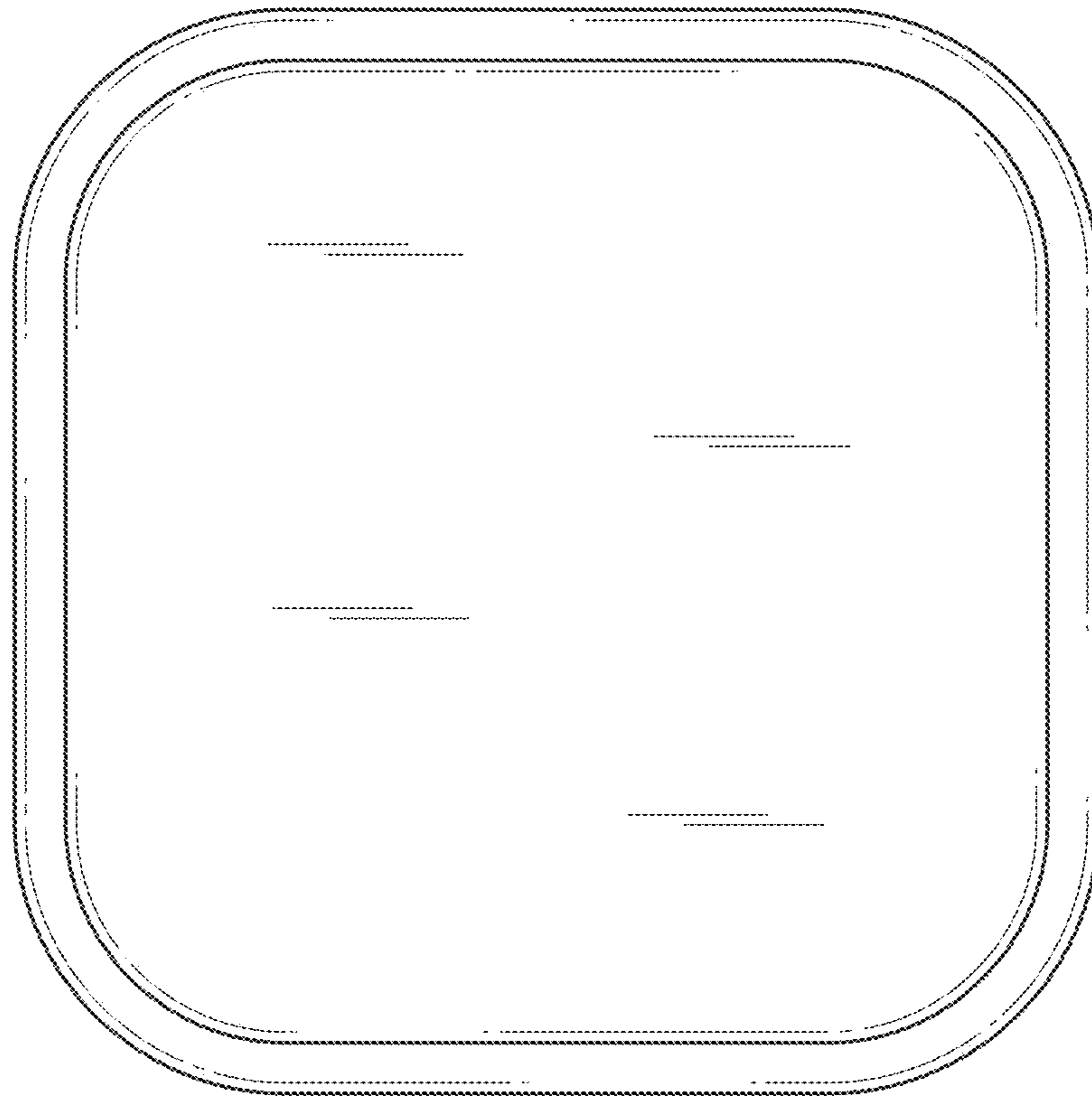


Fig. 3

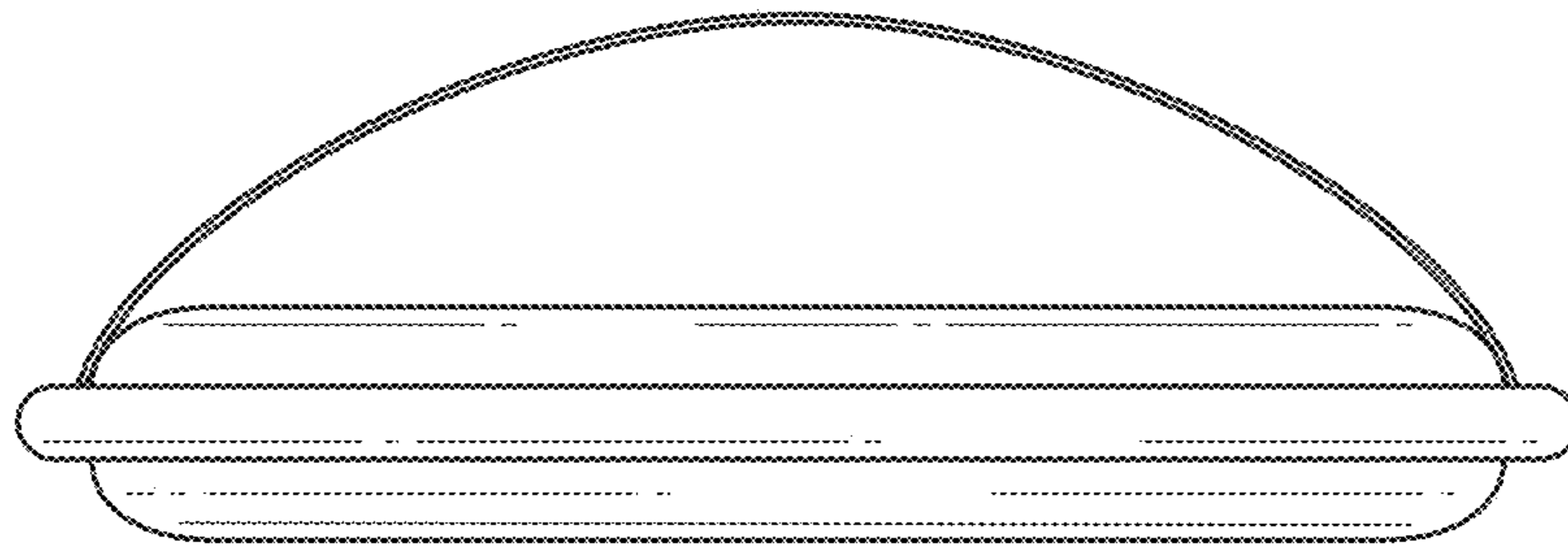


Fig. 4

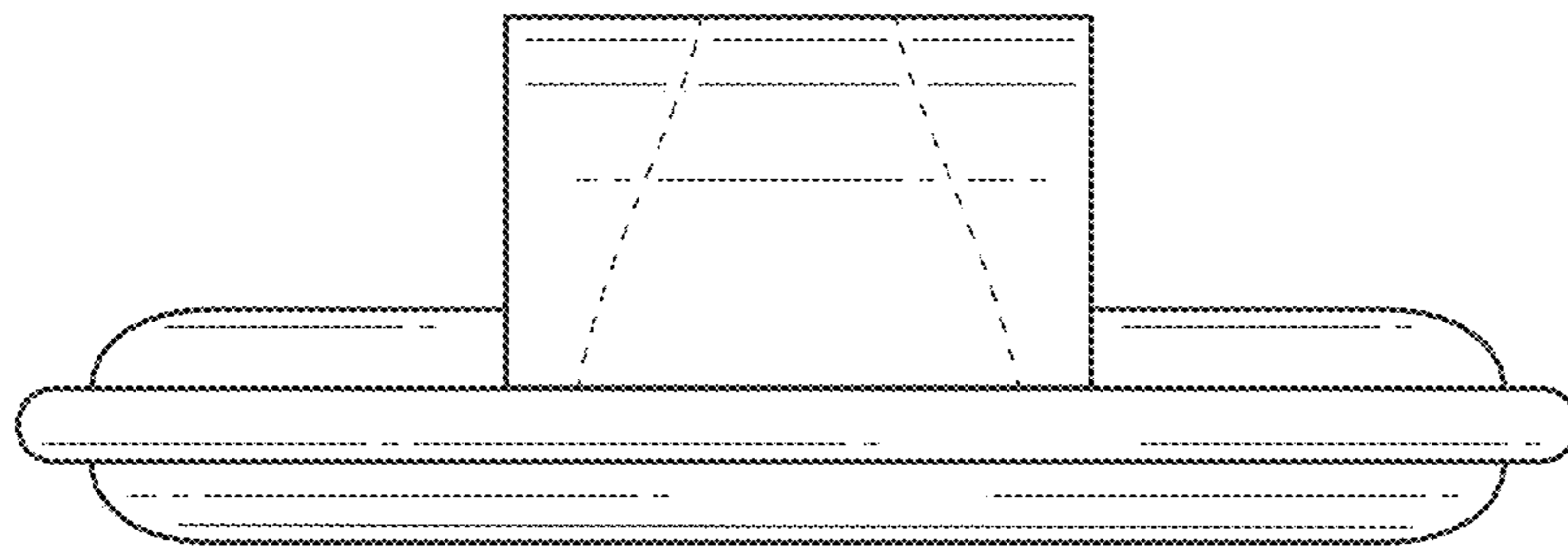


Fig. 5