



US00D964659S

(12) **United States Design Patent**  
**Sanders et al.**

(10) **Patent No.:** **US D964,659 S**

(45) **Date of Patent:** **\*\* Sep. 20, 2022**

(54) **BROWGUARD WITH VISOR AND HARNESS**

(71) Applicant: **JSP Limited**, Witney (GB)

(72) Inventors: **Stephen Francis Sanders**, Witney (GB); **Jack Wyld**, Witney (GB)

(73) Assignee: **JSP Limited**, Witney (GB)

(\*\*) Term: **15 Years**

(21) Appl. No.: **29/708,333**

(22) Filed: **Oct. 4, 2019**

(30) **Foreign Application Priority Data**

Apr. 5, 2019 (EM) ..... 006370300

(51) **LOC (13) Cl.** ..... **29-02**

(52) **U.S. Cl.**  
USPC ..... **D29/110**

(58) **Field of Classification Search**  
USPC ..... D29/102, 103, 106, 107, 108, 110, 122;  
D24/110.2  
CPC ..... A42B 3/225; A42B 3/226; A41D 13/11;  
A41D 13/1161; A41D 13/1184  
See application file for complete search history.

(56) **References Cited**

**U.S. PATENT DOCUMENTS**

- 2,758,307 A \* 8/1956 Treiber ..... A61F 9/025  
2/9
- D254,100 S 2/1980 Breger
- 4,612,672 A 9/1986 Schrack
- D306,363 S \* 2/1990 Stackhouse ..... D29/110
- 4,986,282 A \* 1/1991 Stackhouse ..... A41D 13/1184  
128/857
- D392,073 S 3/1998 Lashley
- D456,568 S 4/2002 Ouellet
- D476,404 S 6/2003 Chen et al.
- D499,214 S 11/2004 Cheng
- 6,832,393 B2 12/2004 Folkesson
- D563,603 S 3/2008 Huh et al.

- D595,014 S 6/2009 Tinius
- 7,594,278 B2 \* 9/2009 Huh ..... A61F 9/025  
2/9
- D670,036 S \* 10/2012 Folkesson ..... D29/108
- D683,501 S 5/2013 Klotz et al.
- D707,894 S 6/2014 Mehra et al.
- D710,545 S \* 8/2014 Wu ..... D29/102
- D710,546 S \* 8/2014 Wu ..... D29/102
- D712,598 S 9/2014 Mehra et al.
- 8,850,624 B2 \* 10/2014 Gleason ..... A42B 3/142  
2/417
- D802,117 S 11/2017 Whitwood
- D805,256 S \* 12/2017 Yang ..... D29/110

(Continued)

**OTHER PUBLICATIONS**

EVOGuard Browguard System—Grey (on-line), no date available. Retrieved from Internet Jan. 13, 2022, URL: [https://www.jspsafety.com/products/kw/evoguardc/PPE/Head-Protection/Helmet-Mounted-Faceshields/AdB280000400\\_EVOGuard-Browguard-Syste%E2%80%A6\(2%20pages\).\\*](https://www.jspsafety.com/products/kw/evoguardc/PPE/Head-Protection/Helmet-Mounted-Faceshields/AdB280000400_EVOGuard-Browguard-Syste%E2%80%A6(2%20pages).*)

*Primary Examiner* — Kimberly Barnes

(74) *Attorney, Agent, or Firm* — Faegre Drinker Biddle & Reath LLP

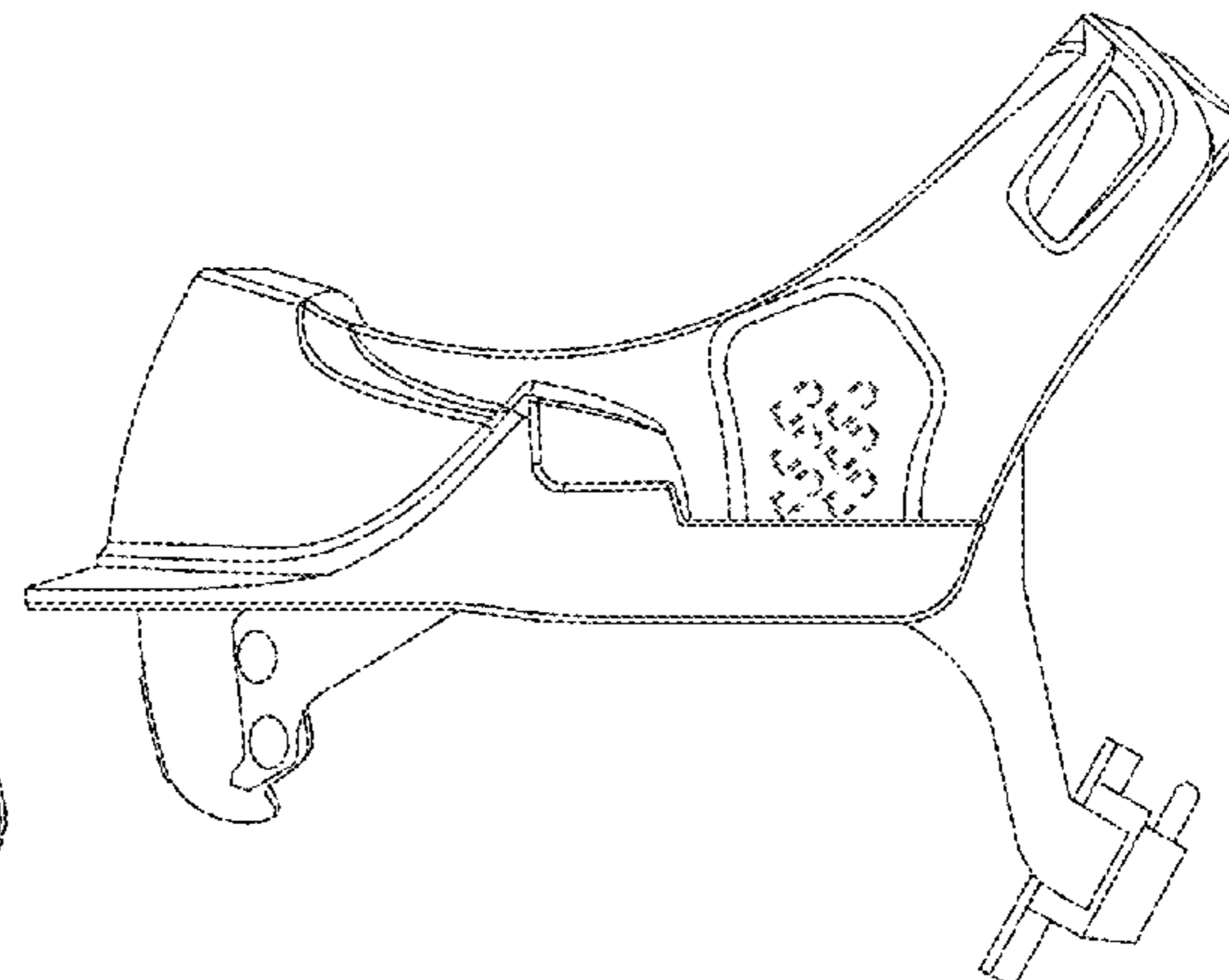
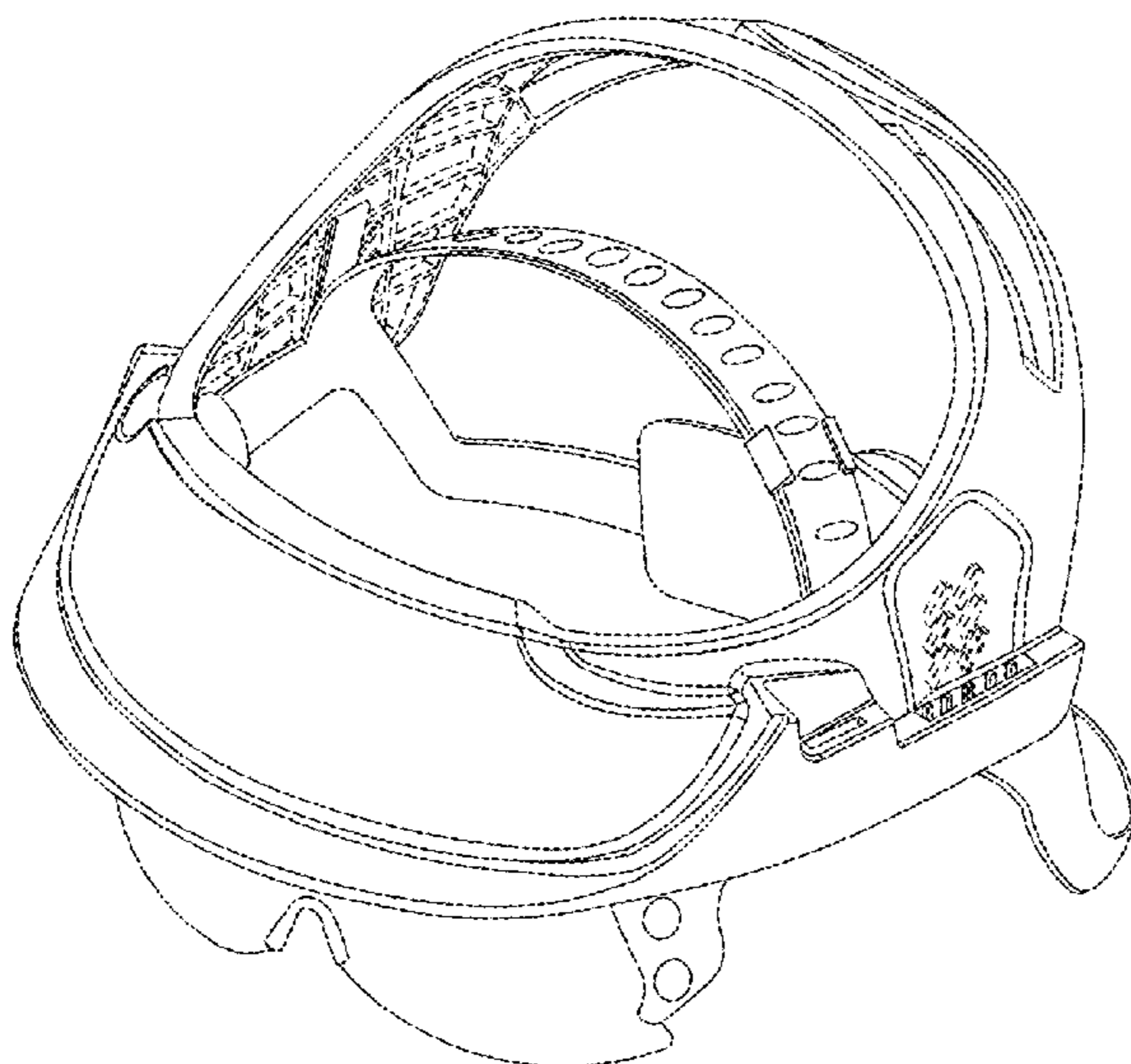
(57) **CLAIM**

The ornamental design for a browguard with visor and harness, as shown and described.

**DESCRIPTION**

FIG. 1 is a front perspective view of a browguard with visor and harness showing our new design;  
FIG. 2 is a front view thereof;  
FIG. 3 is a right side view thereof;  
FIG. 4 is a rear view thereof;  
FIG. 5 is a top view thereof; and,  
FIG. 6 is a bottom view thereof.  
Features shown in broken lines form no part of the claimed design.

**1 Claim, 6 Drawing Sheets**



(56)

**References Cited**

U.S. PATENT DOCUMENTS

D811,663	S	2/2018	Garland et al.	
D854,758	S *	7/2019	Rosca .....	D29/122
D857,999	S	8/2019	Hanner	
D870,977	S *	12/2019	Berggren .....	D29/122
D888,228	S *	6/2020	Hare .....	D24/110.3
D895,213	S *	9/2020	Sanders .....	D29/110
D895,214	S *	9/2020	Sanders .....	D29/110
D895,902	S *	9/2020	Sanders .....	D29/122
D898,738	S *	10/2020	Denhez .....	D14/372
D921,990	S *	6/2021	Jenkins .....	D29/107
D927,785	S *	8/2021	Wu .....	D29/102
D927,787	S *	8/2021	Kinzer .....	D29/107
D927,788	S *	8/2021	Kinzer .....	D29/107
2007/0277294	A1	12/2007	Green	
2017/0112224	A1	4/2017	Gotti	

\* cited by examiner

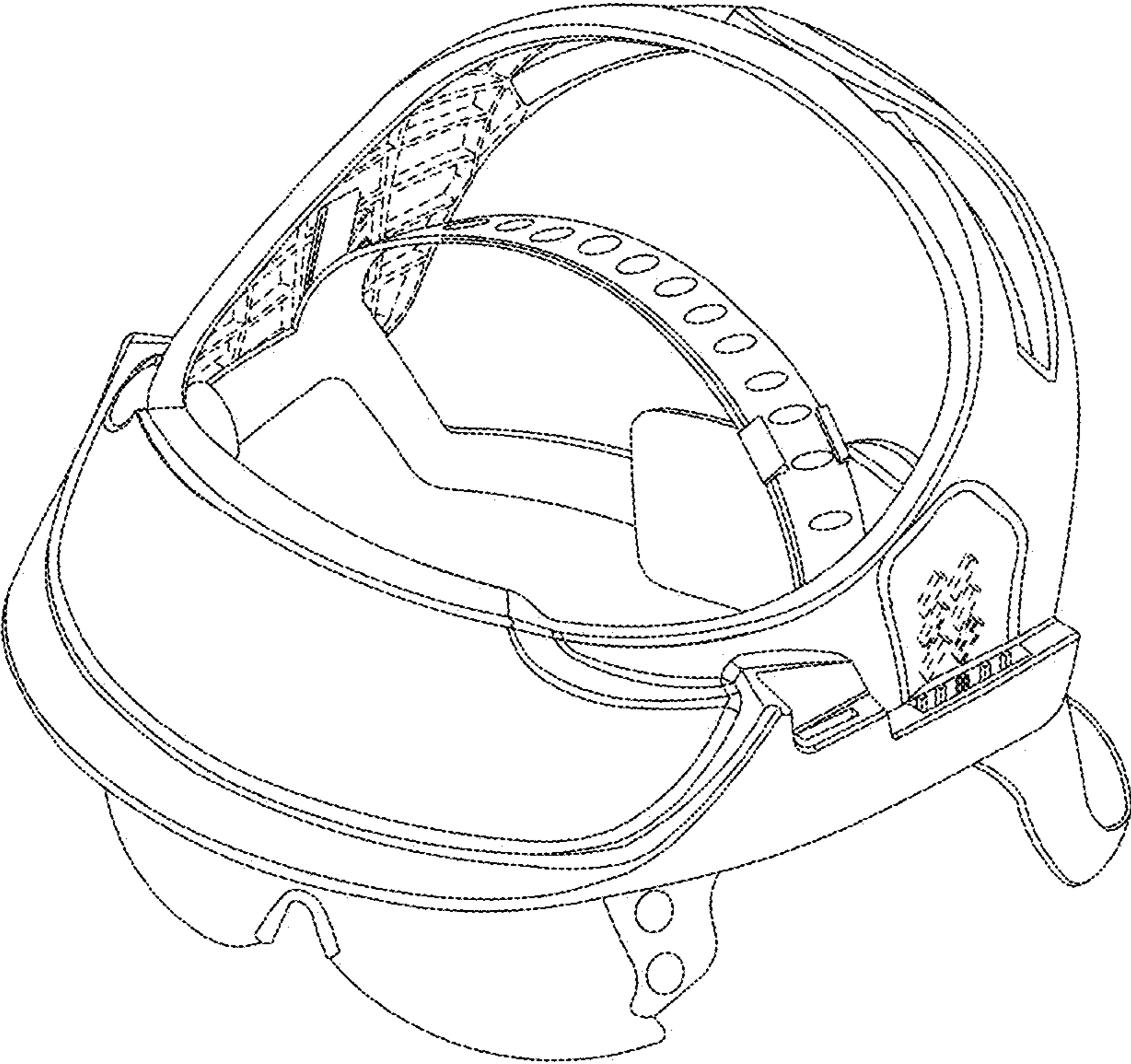


FIG. 1

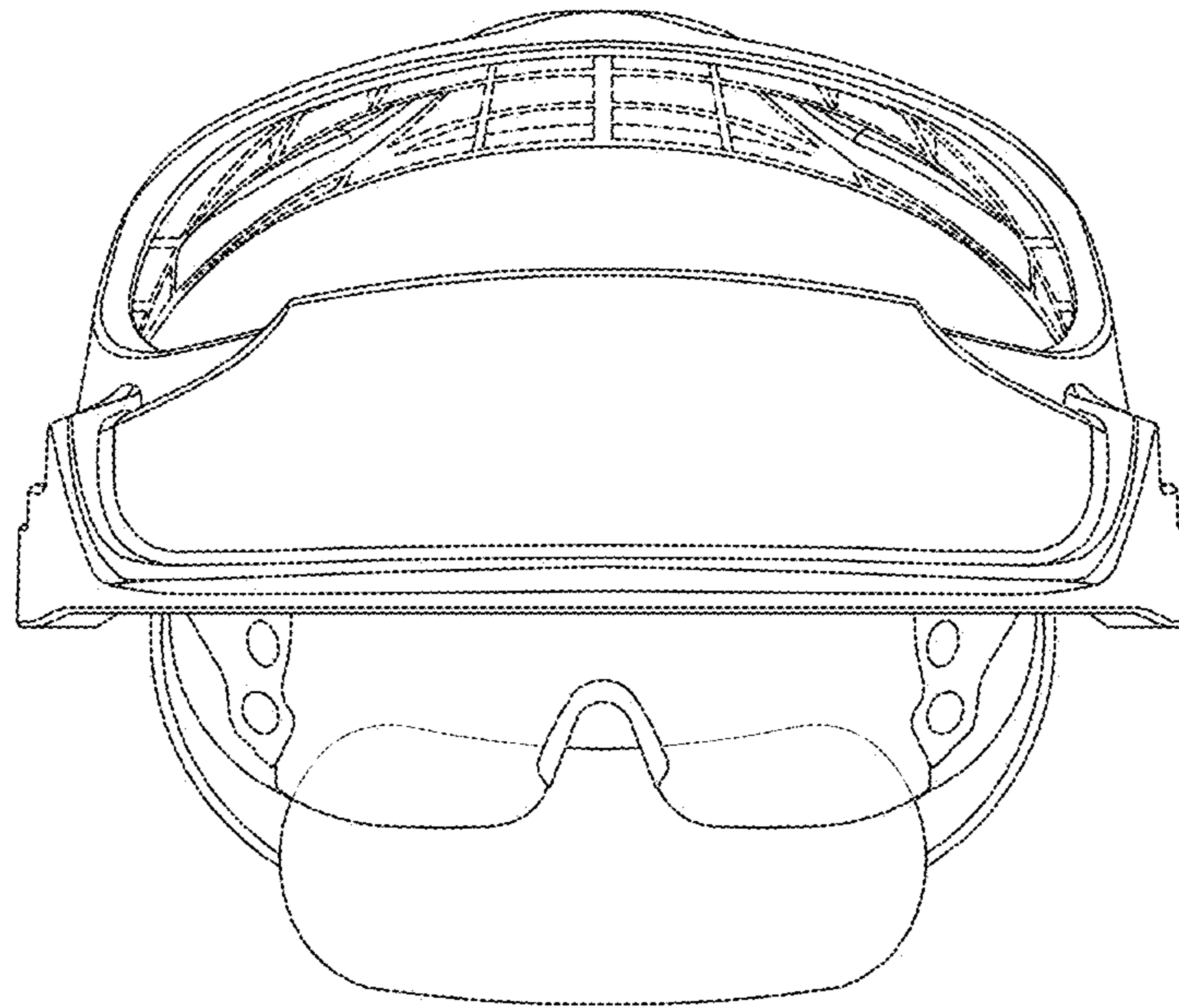


FIG. 2

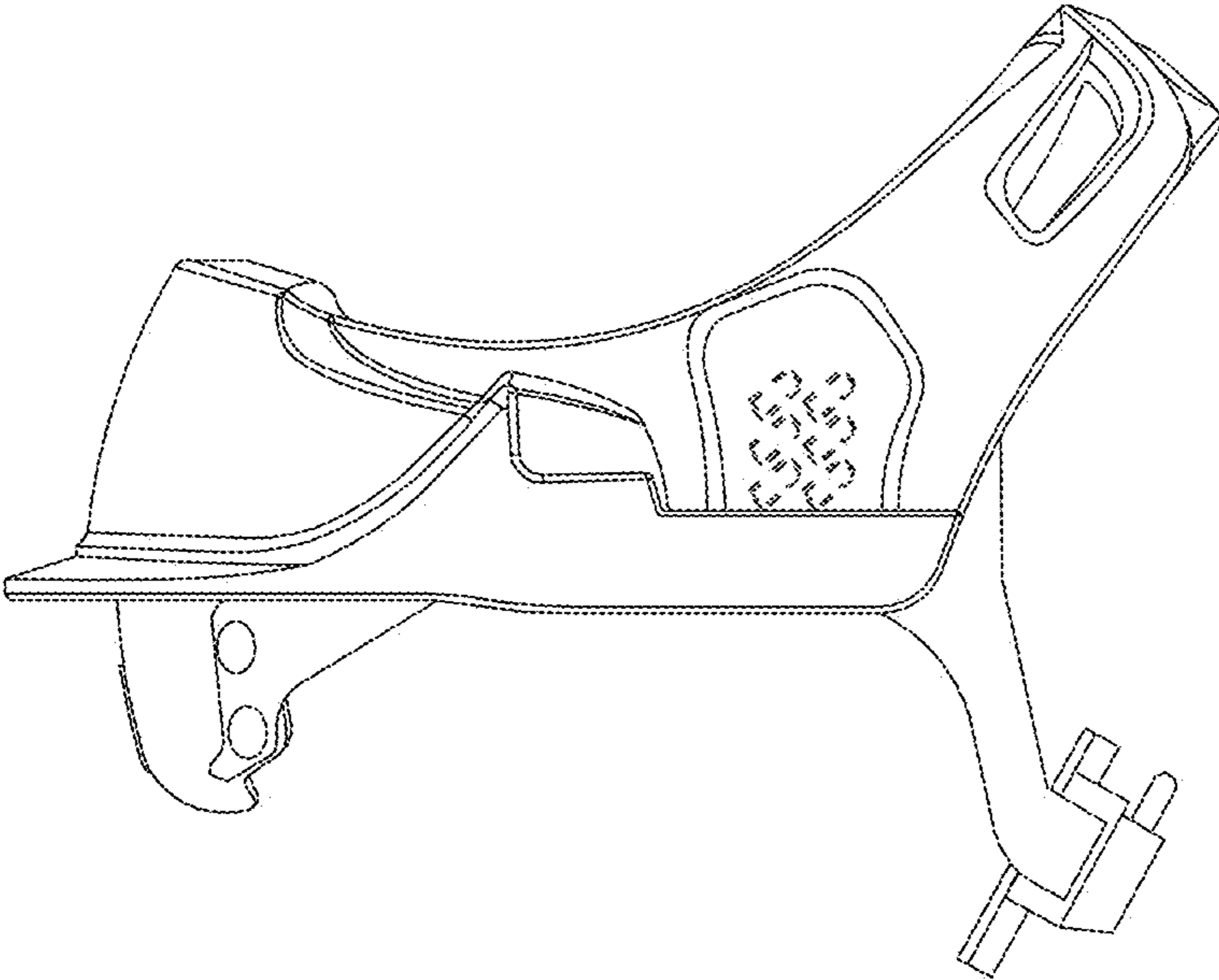


FIG. 3

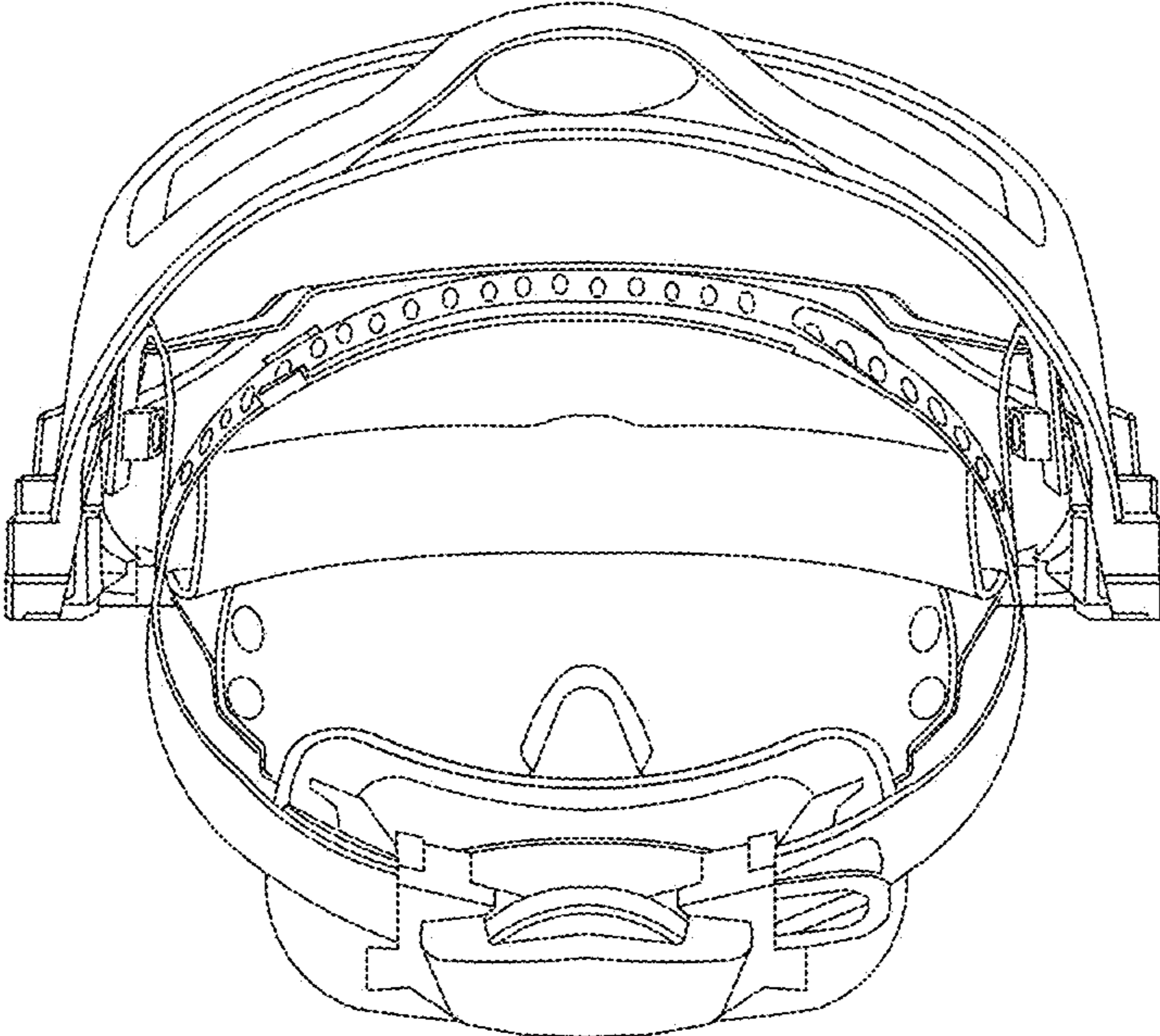


FIG. 4

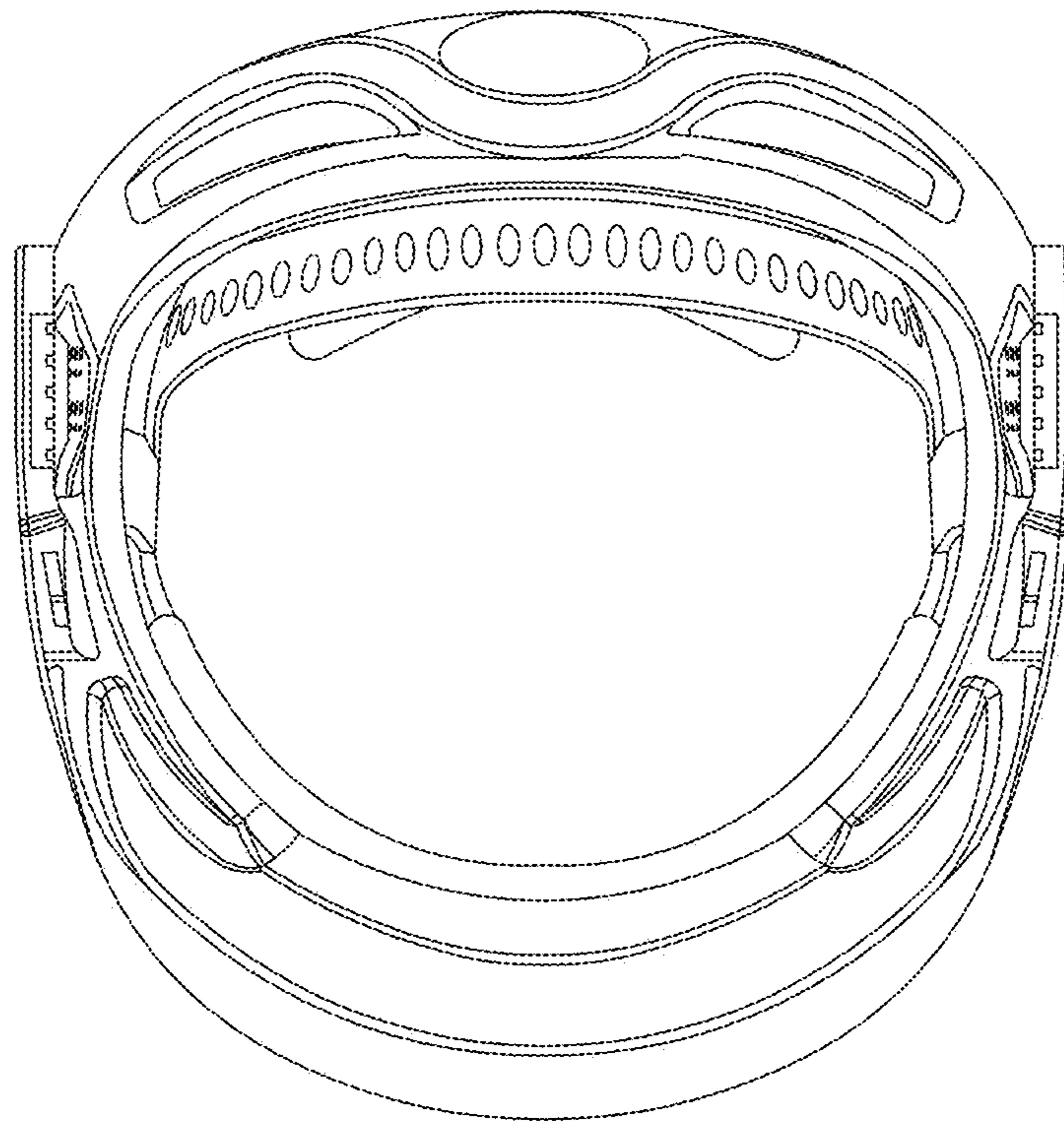


FIG. 5

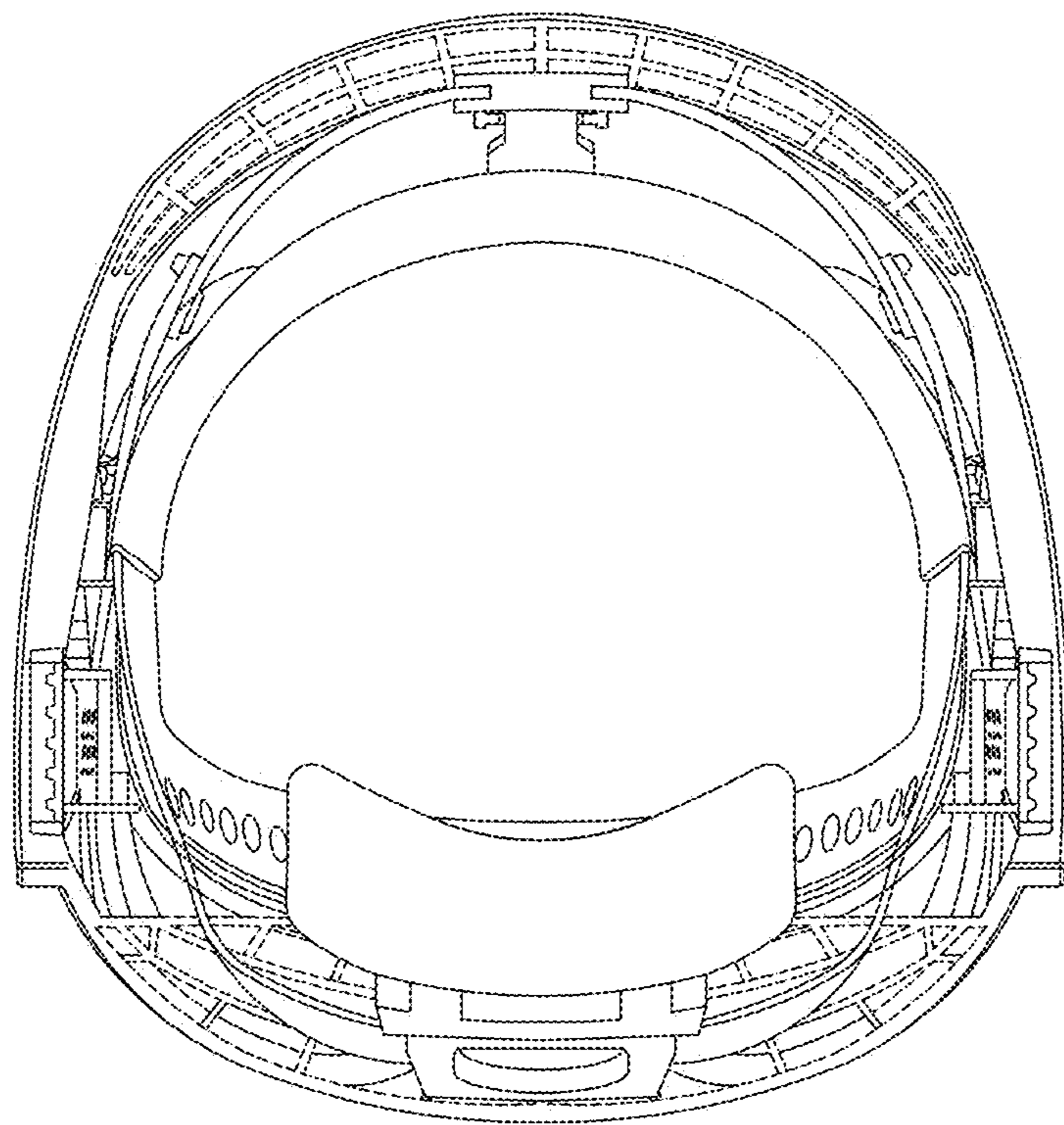


FIG. 6