



US00D964653S

(12) **United States Design Patent** (10) **Patent No.:** **US D964,653 S**
Washington et al. (45) **Date of Patent:** **** Sep. 20, 2022**

(54) **COMBINED SHAVING RAZOR CARTRIDGE AND COVER**

(71) Applicant: **The Gillette Company LLC**, Boston, MA (US)

(72) Inventors: **Jack Anthony Washington**, Mendon, MA (US); **Ulises Hernando Bautista**, Boston, MA (US); **Vincent Paul Walker, Jr.**, Bridgewater, MA (US); **Tina Marie Hallett**, Weymouth, MA (US)

(73) Assignee: **The Gillette Company LLC**, Boston, MA (US)

(**) Term: **15 Years**

(21) Appl. No.: **29/782,126**

(22) Filed: **May 4, 2021**

Related U.S. Application Data

(62) Division of application No. 29/686,509, filed on Apr. 4, 2019, now Pat. No. Des. 926,374.

(51) **LOC (13) Cl.** **D28-03**

(52) **U.S. Cl.**
USPC **D28/47**

(58) **Field of Classification Search**
USPC D28/46-48
CPC B26B 21/54-60; B26B 21/4012-4031; B26B 21/4068; B26B 21/22-227; B26B 21/14-20

See application file for complete search history.

(56) **References Cited**

U.S. PATENT DOCUMENTS

2,171,880 A 9/1939 Harrison
2,234,440 A 3/1941 Harrison
3,505,734 A 4/1970 Iten

4,094,066 A 6/1978 Daniel, Jr.
4,211,006 A 7/1980 Caco
4,914,817 A 4/1990 Galligan
D312,144 S 11/1990 Buba
5,386,750 A 2/1995 Morrison
(Continued)

FOREIGN PATENT DOCUMENTS

KR WO 2021/182831 * 9/2021 B26B 21/20
RU 2408454 C1 1/2011
(Continued)

OTHER PUBLICATIONS

U.S. Appl. No. 29/752,045, filed Sep. 24, 2020, Jack Anthony Washington et al.
(Continued)

Primary Examiner — Jennifer Rivard
(74) *Attorney, Agent, or Firm* — John M. Lipchitz

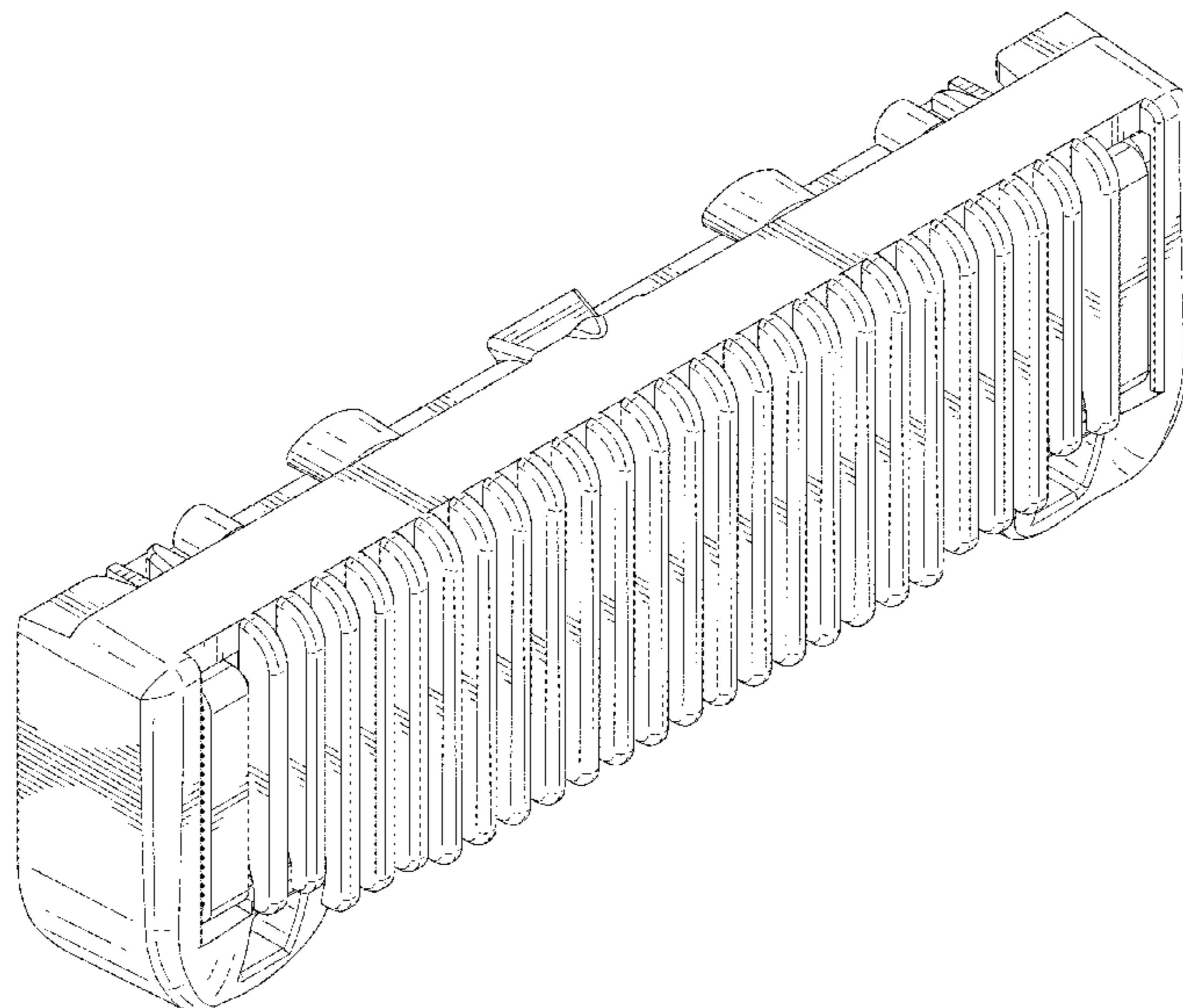
(57) **CLAIM**

The ornamental design for a combined shaving razor cartridge and cover, as shown and described.

DESCRIPTION

FIG. 1 is a first perspective view of a design of a combined shaving razor cartridge and cover of the present invention; FIG. 2 is a top view thereof; FIG. 3 is a bottom view thereof; FIG. 4 is a left side view thereof; FIG. 5 is a right side view thereof; FIG. 6 is a rear view thereof; FIG. 7 is a front view thereof; and, FIG. 8 is a second perspective view thereof. The dash broken lines are directed to portions of the combined shaving razor cartridge and cover and form no part of the claimed design.

1 Claim, 6 Drawing Sheets



(56)

References Cited

U.S. PATENT DOCUMENTS

5,794,343 A 8/1998 Lee
 6,216,349 B1 4/2001 Gilder et al.
 6,243,951 B1 6/2001 Oldroyd
 6,295,734 B1 10/2001 Gilder et al.
 7,322,109 B2 1/2008 Newkirk
 7,448,135 B2 11/2008 Zhuk et al.
 D602,634 S 10/2009 Cataudella et al.
 D616,606 S 5/2010 Adams
 D617,497 S 6/2010 Goodhead
 D619,301 S 7/2010 Wattam
 D620,196 S 7/2010 Nicoll
 D630,377 S 1/2011 Wattam
 7,954,244 B2 6/2011 Orloff et al.
 8,015,710 B1 9/2011 Zyla
 8,191,265 B2 6/2012 Micinilio
 D665,948 S 8/2012 Jessemey et al.
 8,336,212 B2 12/2012 Bozikis et al.
 8,707,562 B2 4/2014 Coffin
 9,015,951 B2 4/2015 Howell et al.
 D754,400 S 4/2016 Andersson
 D756,565 S 5/2016 Andersson
 9,751,226 B2 9/2017 Psimadas
 9,919,441 B2 3/2018 Drori
 10,144,142 B1 12/2018 Squires et al.
 10,369,713 B1 8/2019 Squires
 10,442,097 B2 10/2019 Bozikis
 D874,727 S 2/2020 Washington et al.
 D890,429 S 7/2020 Chae
 10,780,596 B2 9/2020 Squires et al.
 10,836,060 B2 11/2020 Squires et al.
 D908,285 S * 1/2021 Cataudella D28/47
 11,000,960 B1 5/2021 Hooberman
 D921,984 S * 6/2021 Brissett D28/47
 D926,374 S 7/2021 Washington et al.
 11,117,280 B2 9/2021 Zucker
 D940,394 S * 1/2022 Fyfield D28/47
 D951,541 S * 5/2022 Fyfield D28/46
 2002/0000040 A1 1/2002 Gilder
 2002/0083600 A1 7/2002 Donovan
 2003/0159291 A1 8/2003 Clark
 2005/0198837 A1 9/2005 Rawle
 2007/0028450 A1 2/2007 Pennell et al.

2007/0227008 A1 10/2007 Zhuk et al.
 2010/0011586 A1 1/2010 Goodhead
 2010/0058595 A1 3/2010 Walker, Jr. et al.
 2010/0122464 A1 5/2010 Ndou et al.
 2010/0218381 A1 9/2010 Follo
 2011/0094108 A1 4/2011 Wain
 2011/0162208 A1 7/2011 Wain
 2011/0162209 A1 7/2011 Wain
 2012/0110857 A1 5/2012 Peterson et al.
 2013/0199346 A1 8/2013 Psimadas
 2014/0026424 A1 1/2014 Oglesby et al.
 2014/0283387 A1 9/2014 Bozikis et al.
 2015/0101195 A1 4/2015 Long et al.
 2016/0199992 A1 7/2016 Nicholas
 2016/0279815 A1 9/2016 Washington
 2017/0210020 A1 7/2017 Bozikis
 2017/0266826 A1 9/2017 Kole et al.
 2018/0169879 A1 6/2018 Psimadas et al.
 2018/0333879 A1 11/2018 Squires
 2019/0047165 A1 2/2019 Gegg et al.
 2019/0134833 A1 5/2019 Kole
 2019/0255720 A1 8/2019 Galanis
 2020/0316798 A1 10/2020 Walker, Jr. et al.
 2020/0338770 A1 10/2020 Moustakas
 2020/0398449 A1 * 12/2020 Claus B26B 21/565
 2021/0323180 A1 * 10/2021 Shen B26B 21/4031

FOREIGN PATENT DOCUMENTS

WO 2016036238 A3 4/2016
 WO 2017008856 A1 1/2017
 WO 2017137849 A1 8/2017
 WO 2018019953 A1 2/2018

OTHER PUBLICATIONS

All Office Actions, U.S. Appl. No. 29/686,509.
<https://www.ebay.com/itm/96-Pcs-Gillette-Guard-Razor-Blades-Cartridges-For-Safe-Smooth-Shave-Gillette-/14283200630496> Pcs Gillette Guard Razor, www.ebay.com, downloaded Dec. 18, 2020, 2 pages (Year: 2020).
 All Office Actions, U.S. Appl. No. 16/841,375.
 All Office Actions, U.S. Appl. No. 29/752,045.

* cited by examiner

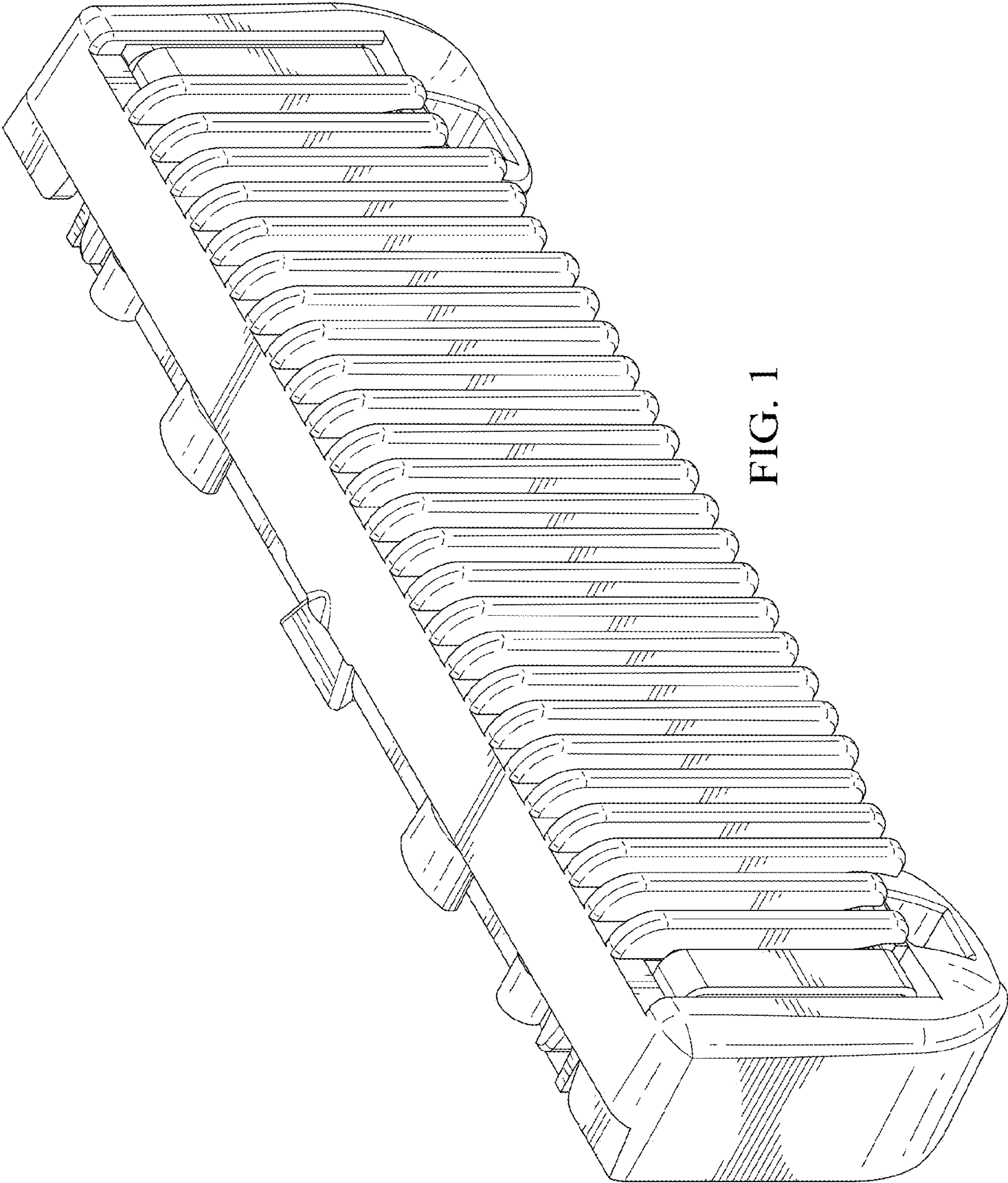


FIG. 1

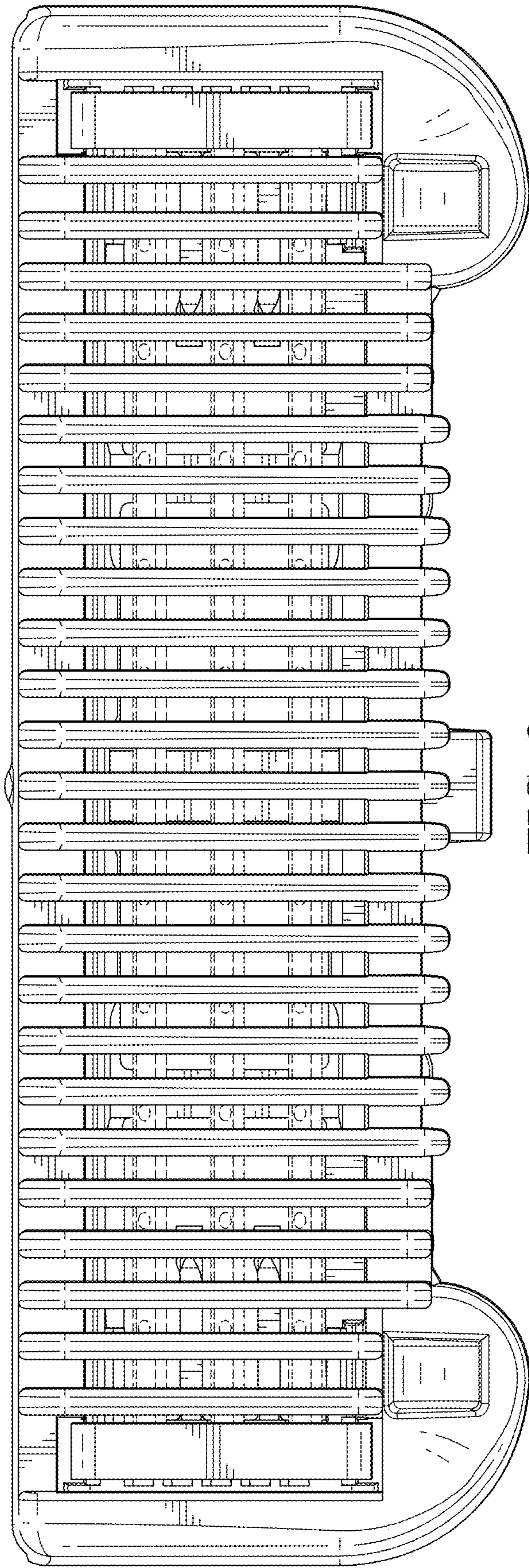


FIG. 2

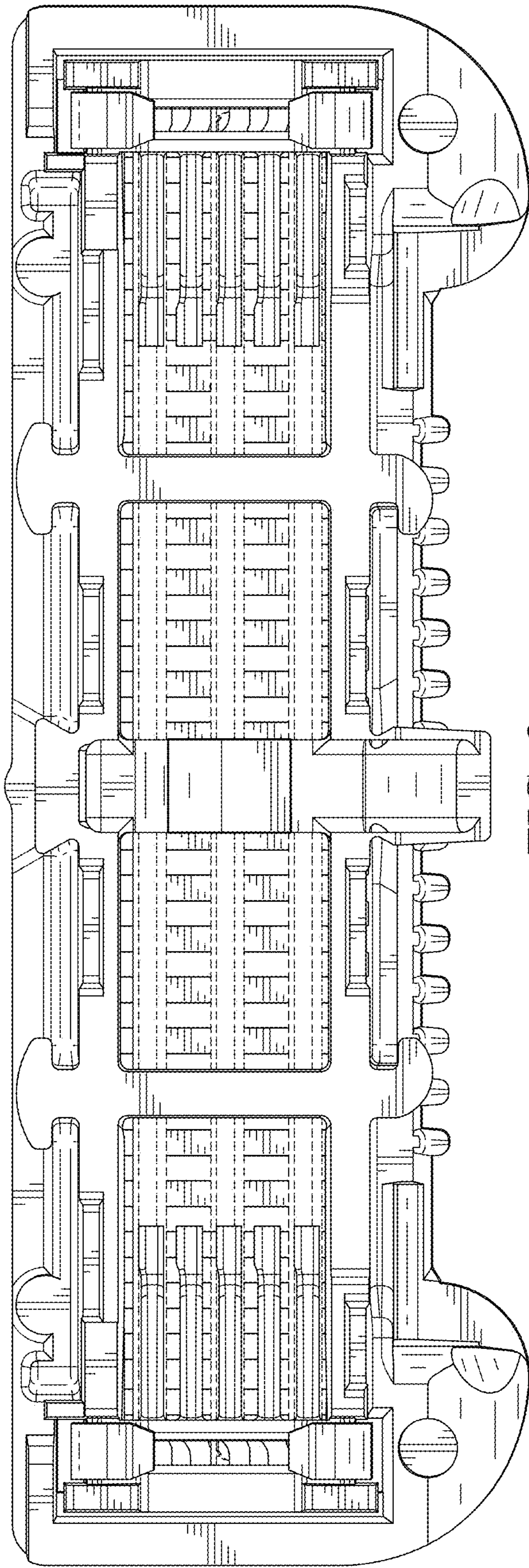


FIG. 3

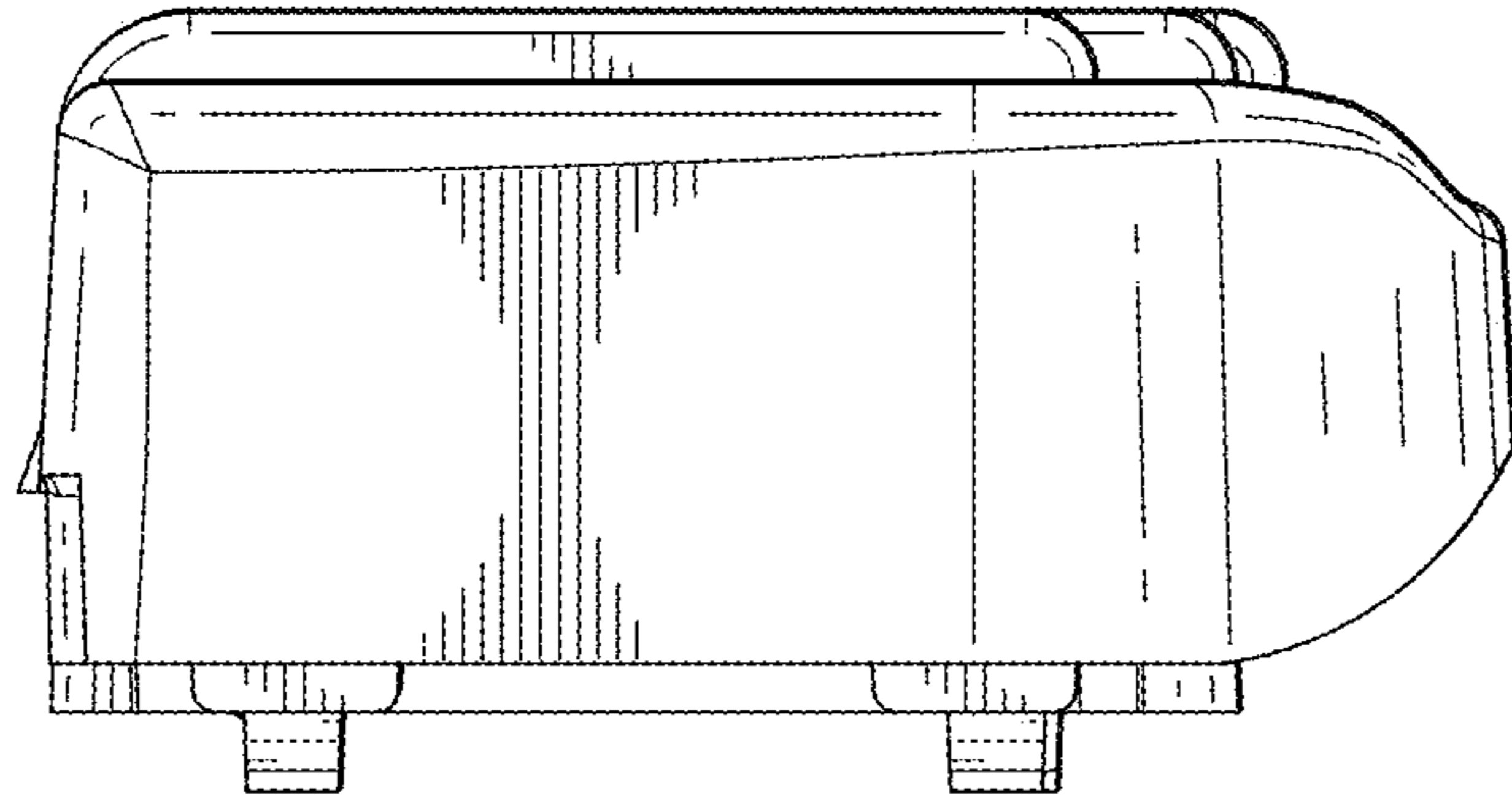


FIG. 5

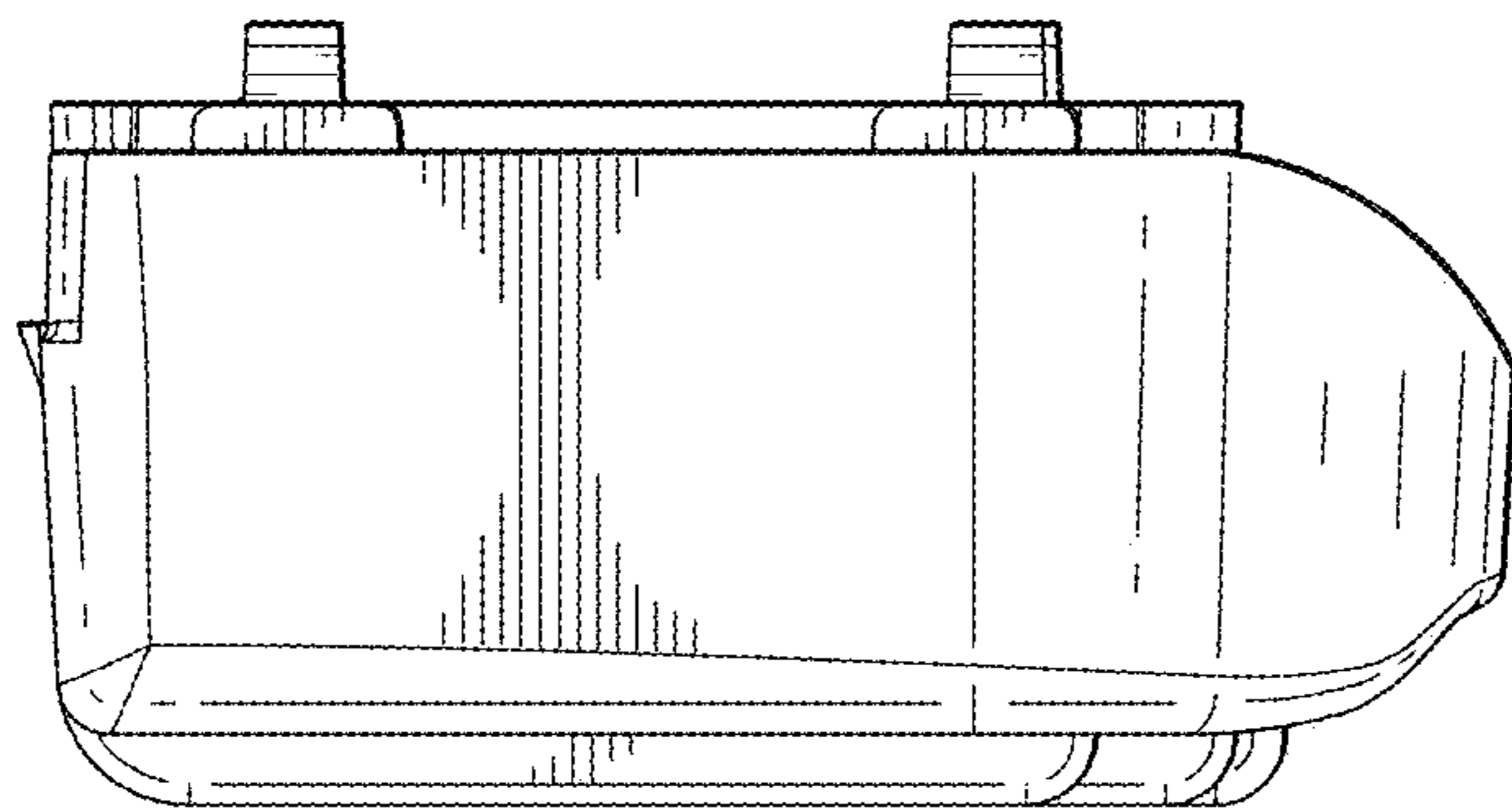


FIG. 4

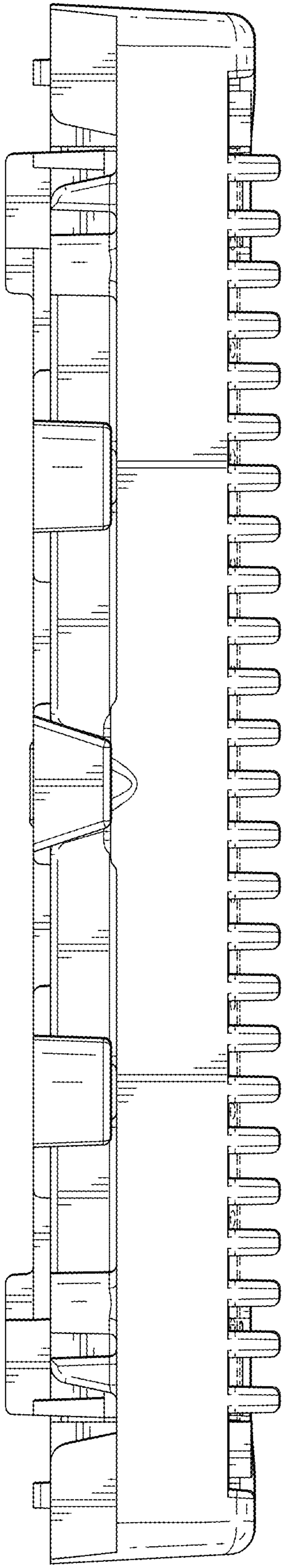


FIG. 6

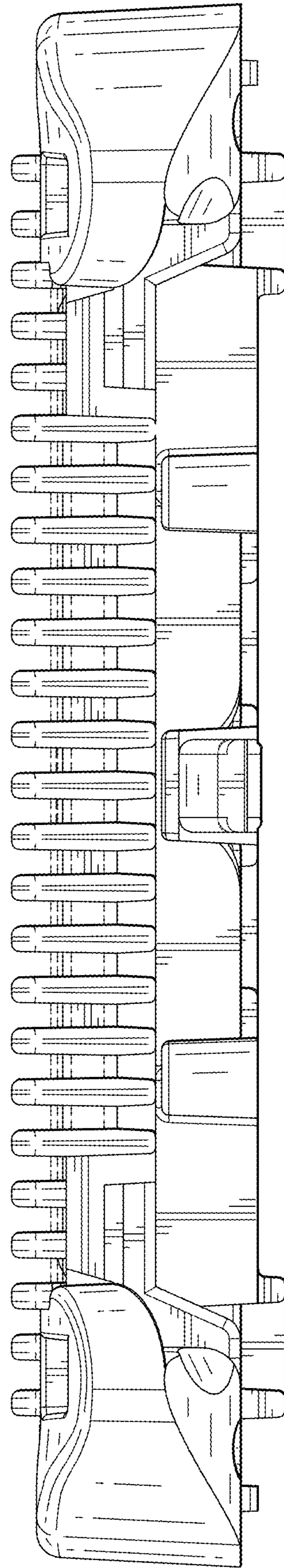


FIG. 7

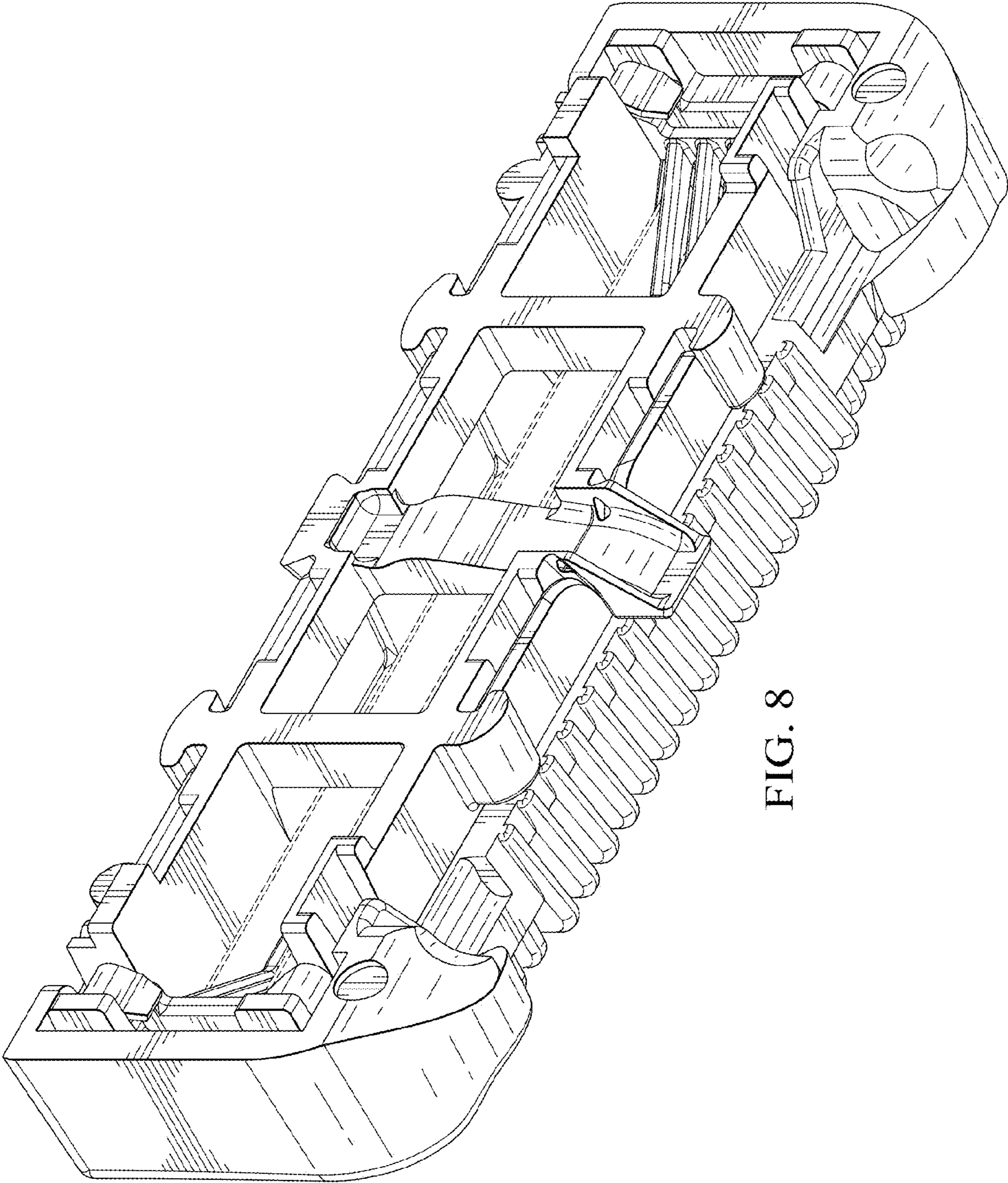


FIG. 8