



US00D964652S

(12) **United States Design Patent** (10) **Patent No.:** **US D964,652 S**
Goeder et al. (45) **Date of Patent:** **** Sep. 20, 2022**

- (54) **SHAVING RAZOR CARTRIDGE**
- (71) Applicant: **The Gillette Company LLC**, Boston, MA (US)
- (72) Inventors: **Philipp Goeder**, Frankfurt (DE); **Christopher Ramm**, North Attleboro, MA (US); **Brian Patrick Watson**, Marshfield, MA (US); **Kristopher William Schulz**, Framingham, MA (US); **Vanessa Christie**, Boston, MA (US)
- (73) Assignee: **The Gillette Company LLC**, Boston, MA (US)

- D437,548 S 2/2001 Desgrippes et al.
- D463,271 S 9/2002 Miranda
- D472,152 S 3/2003 Joubert
- 6,792,682 B2 9/2004 Follo
- 6,868,610 B2 3/2005 Brandt
- 6,928,738 B2 8/2005 Segrea
- D518,381 S 4/2006 Egawa
- D562,137 S 2/2008 Florio
- D568,539 S 5/2008 Micinilio
- D568,534 S 6/2008 Micinilio

(Continued)

FOREIGN PATENT DOCUMENTS

WO 2019190911 A1 10/2019

OTHER PUBLICATIONS

U.S. Appl. No. 29/735,651, filed May 22, 2020, Philipp Goeder.
(Continued)

Primary Examiner — Jennifer Rivard
(74) *Attorney, Agent, or Firm* — Joanne N. Pappas; Kevin C. Johnson

Related U.S. Application Data

- (62) Division of application No. 29/642,528, filed on Mar. 30, 2018, now Pat. No. Des. 912,326.
- (51) **LOC (13) Cl.** **28-03**
- (52) **U.S. Cl.**
USPC **D28/47**
- (58) **Field of Classification Search**
USPC D28/46–48
CPC B26B 21/54–60; B26B 21/4012–4031;
B26B 21/4068; B26B 21/22–227; B26B
21/14–20
See application file for complete search history.

(57) **CLAIM**

The ornamental design for a shaving razor cartridge, as shown and described.

DESCRIPTION

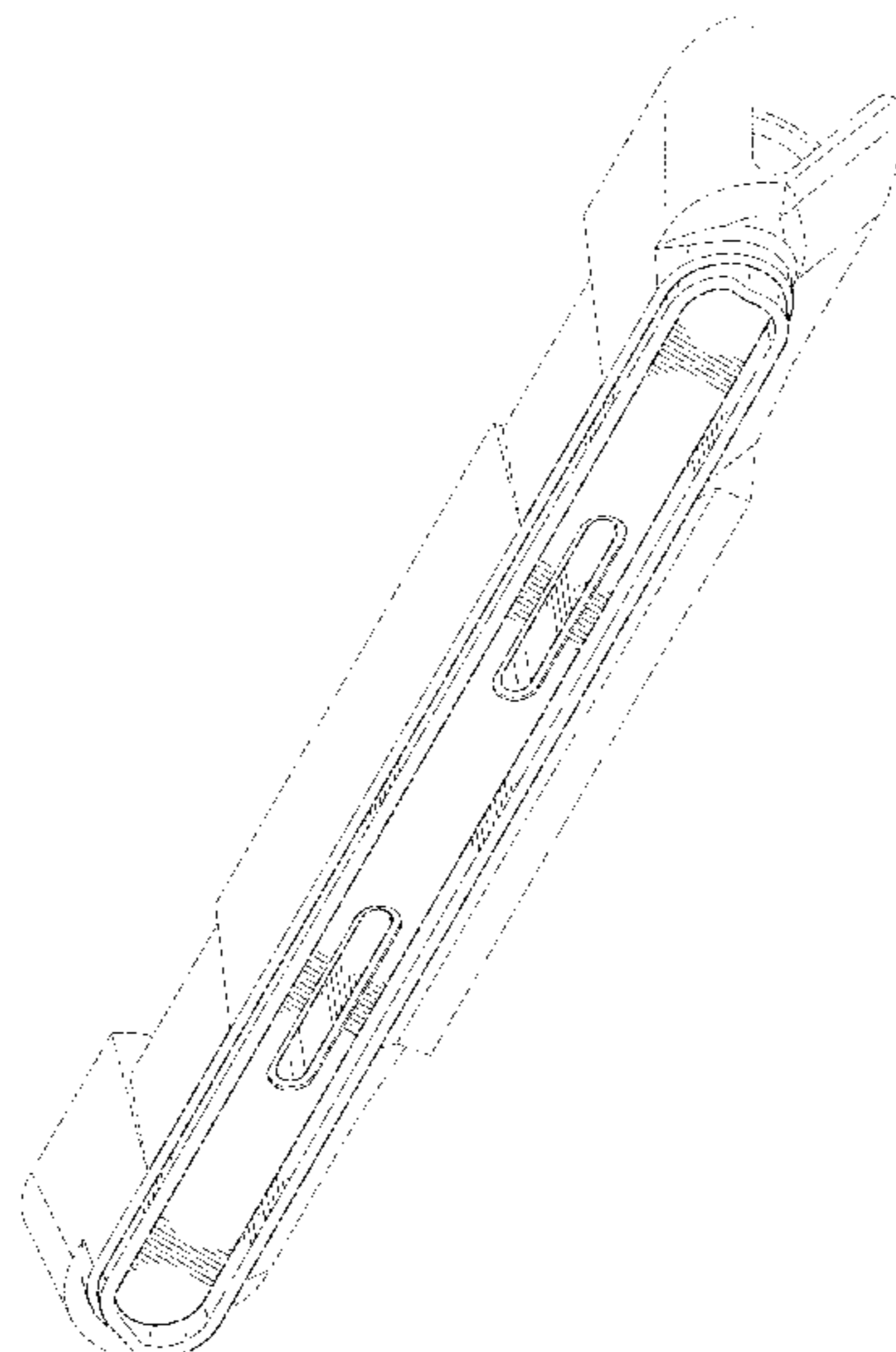
FIG. 1 is a front perspective view of a design of a shaving razor cartridge of the present invention;
FIG. 2 is a front view thereof;
FIG. 3 is a back view thereof;
FIG. 4 is a right side view thereof;
FIG. 5 is a left side view thereof;
FIG. 6 is a top view thereof;
FIG. 7 is a bottom view thereof; and,
FIG. 8 is a rear perspective view thereof.
The broken lines illustrate portions of the shaving razor cartridge that form no part of the claimed design.

(56) **References Cited**

U.S. PATENT DOCUMENTS

- D254,692 S 4/1980 Del
- D255,654 S 7/1980 Goss
- D285,655 S 9/1986 MacLaughlin et al.
- D430,793 S 9/2000 Baron

1 Claim, 5 Drawing Sheets



(56)

References Cited

U.S. PATENT DOCUMENTS

D591,451 S 4/2009 Micinilio
 D600,408 S 9/2009 Micinilio
 D604,906 S 11/2009 Stowers et al.
 D615,404 S 5/2010 Pitzer et al.
 D616,607 S 5/2010 Ramm
 D633,254 S 2/2011 Witkus
 D636,531 S 4/2011 Wiison
 D644,532 S 9/2011 Hodges et al.
 D649,712 S 11/2011 Pan
 D652,990 S 1/2012 Strickland
 D652,991 S 1/2012 Cavazos
 D655,134 S 3/2012 Gilbert
 D655,449 S 3/2012 Pan
 D656,676 S 3/2012 Cavazos
 D659,285 S 5/2012 Lukan
 D659,286 S 5/2012 Lukan
 D660,516 S 5/2012 Christie
 D661,425 S 6/2012 Cataudella
 D661,426 S 6/2012 Wain
 D675,378 S 1/2013 Boulanger
 8,448,339 B2 5/2013 Walker
 D684,060 S 6/2013 Hodges
 D699,395 S 2/2014 Bae
 D700,995 S 3/2014 Lee
 D700,996 S 3/2014 Lee
 8,782,904 B2 7/2014 Wain
 D714,644 S 10/2014 Wagner et al.
 D724,269 S 3/2015 Szczepanowski
 D724,270 S 3/2015 Sims
 D725,968 S 4/2015 George
 D729,585 S 5/2015 Boroski
 D779,124 S 2/2017 Houyoux
 D798,438 S 9/2017 Engelhard et al.
 D802,842 S 11/2017 Ngo
 9,908,250 B2 3/2018 Hodgson
 9,912,087 B2 3/2018 Broemse
 D816,271 S 4/2018 Huang
 D818,196 S 5/2018 Szymanski
 D822,901 S 7/2018 Shin
 D827,813 S 9/2018 Copland et al.
 D828,625 S 9/2018 Forti
 D837,452 S 1/2019 Goeder
 D839,477 S 1/2019 Hodgson
 D842,543 S 3/2019 Ramm
 D842,544 S 3/2019 Ramm
 D846,387 S 4/2019 Staab
 D855,253 S 7/2019 Han
 D874,061 S * 1/2020 Verasamy D28/47
 D879,375 S 3/2020 Go et al.
 D880,063 S 3/2020 Ramm
 D882,175 S 4/2020 Riehle et al.
 D882,873 S 4/2020 Goeder et al.
 D887,642 S 6/2020 Hodgson
 D888,339 S * 6/2020 Go D28/47
 D899,689 S 10/2020 Kong

D902,485 S 11/2020 Goeder et al.
 D912,324 S * 3/2021 Han D28/47
 D912,326 S * 3/2021 Goeder D28/48
 D914,289 S 3/2021 Goeder et al.
 D929,040 S 8/2021 Shin
 D932,906 S 10/2021 Schulz
 D933,295 S * 10/2021 Washington D28/47
 D939,773 S 12/2021 Kim
 D945,064 S * 3/2022 Lee D28/47
 D945,068 S 3/2022 Lee
 2004/0226178 A1 11/2004 Lukan et al.
 2008/0101850 A1 5/2008 Wojcik et al.
 2013/0291390 A1 11/2013 Gajria et al.
 2017/0112002 A1 4/2017 Behrendt
 2017/0264036 A1 9/2017 Broemse
 2017/0374710 A1 12/2017 Heubach
 2018/0159252 A1 6/2018 Broemse
 2018/0222070 A1 8/2018 Burrowes
 2018/0326605 A1 11/2018 Khubani
 2018/0370052 A1 12/2018 Zarembo et al.
 2019/0299455 A1 * 10/2019 Patel B26B 21/443
 2019/0299459 A1 10/2019 Patel
 2019/0299463 A1 * 10/2019 Patel B26B 21/222
 2019/0299465 A1 10/2019 Gester et al.
 2019/0299477 A1 10/2019 Johnson et al.
 2020/0070374 A1 3/2020 Long et al.
 2020/0070375 A1 3/2020 Hurtado et al.
 2020/0178669 A1 6/2020 Johnson et al.
 2022/0001559 A1 1/2022 Hiller et al.

OTHER PUBLICATIONS

U.S. Appl. No. 29/741,898, filed Jul. 16, 2020, Philipp Goeder et al.
 U.S. Appl. No. 29/768,838, filed Feb. 1, 2021, Philipp Goeder et al.
 U.S. Appl. No. 29/754,594, filed Oct. 13, 2020, Philipp Goeder et al.
 U.S. Appl. No. 29/730,919, filed Apr. 9, 2020, Rory Frederick Wellington McGarry et al.
 U.S. Appl. No. 29/799,865, filed Apr. 21, 2021, Kristopher William Schulz.
 All Office Actions; U.S. Appl. No. 29/779,865, filed Apr. 21, 2021.
 All Office Actions, U.S. Appl. No. 29/642,528.
 All Office Actions, U.S. Appl. No. 29/642,548.
 Introducing Gillette Labs with Exfoliating Bar—YouTube, published on Nov. 22, 2021, retrieved on Dec. 16, 2021, retrieved from the Internet URL: <https://www.youtube.com/watch?v=eDtPFxQINUQ>.
 All Office Actions, U.S. Appl. No. 29/642,527.
 All Office Actions, U.S. Appl. No. 29/642,529.
 All Office Actions, U.S. Appl. No. 29/729,134.
 All Office Actions, U.S. Appl. No. 29/741,898.
 All Office Actions, U.S. Appl. No. 29/754,594.
 All Office Actions, U.S. Appl. No. 29/768,838.
 All Office Actions; U.S. Appl. No. 29/730,919.
 All Office Actions; U.S. Appl. No. 29/735,651.

* cited by examiner

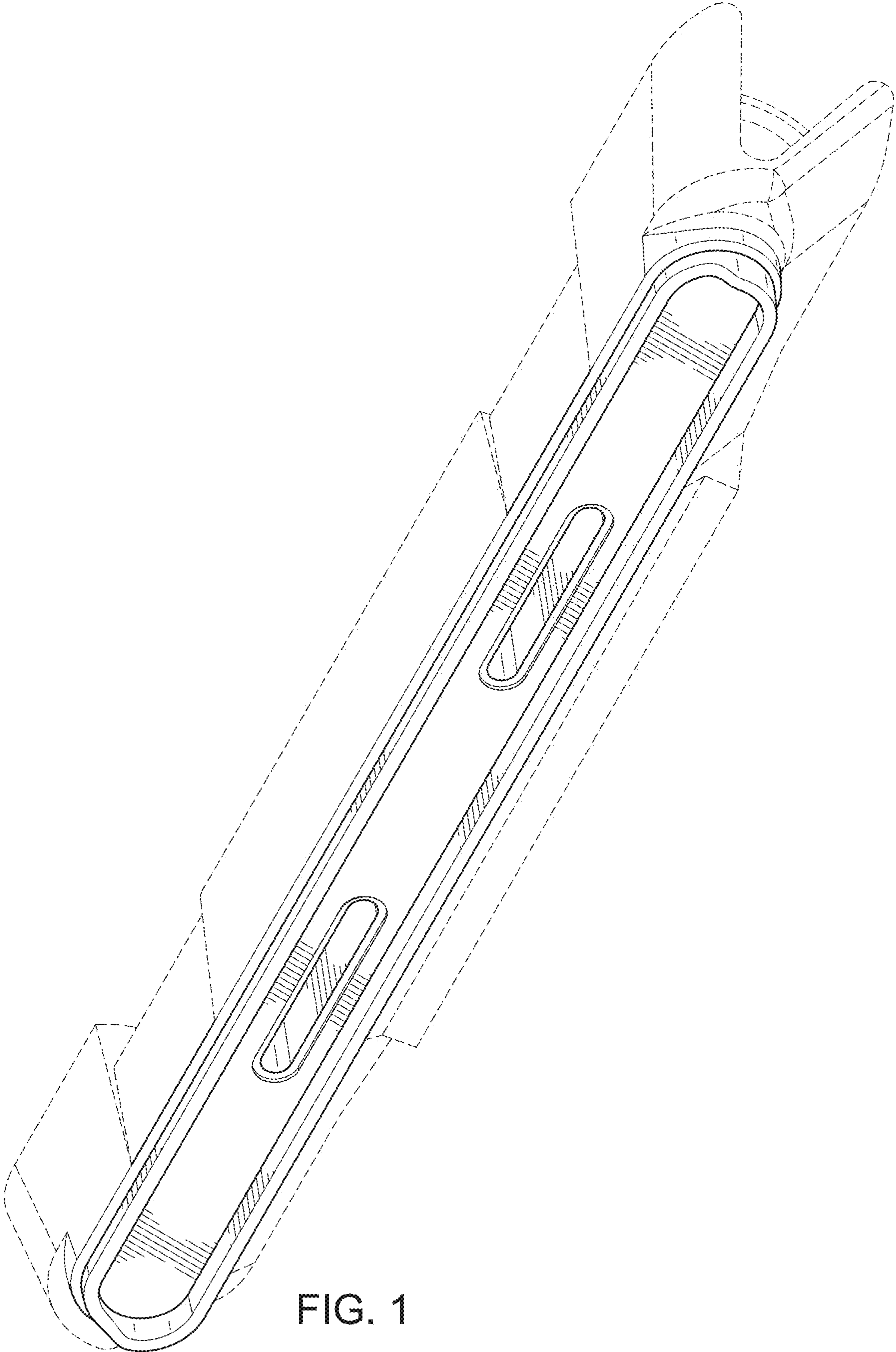


FIG. 1

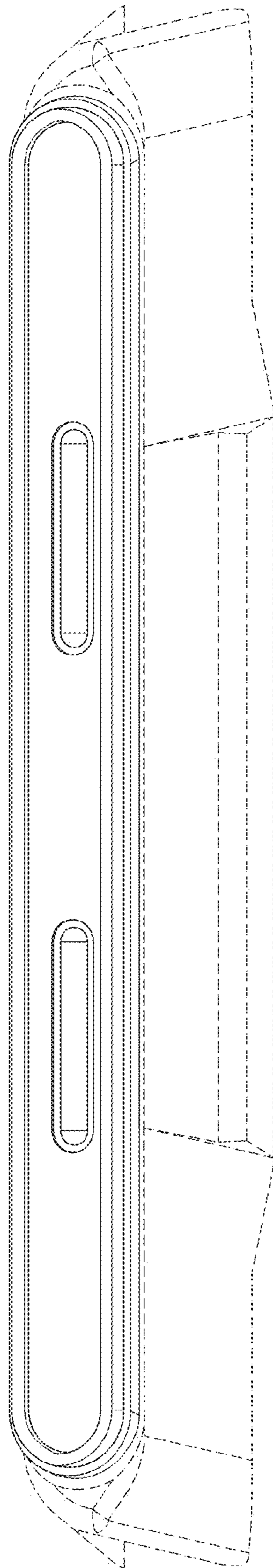


FIG. 2

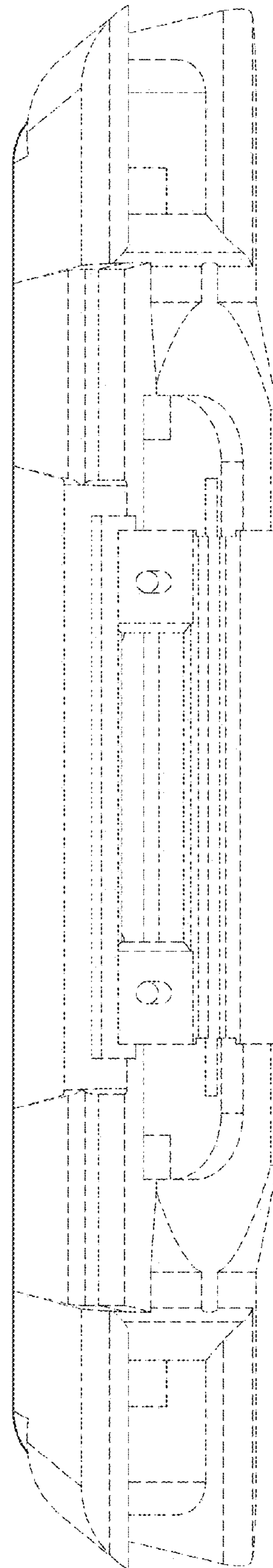


FIG. 3

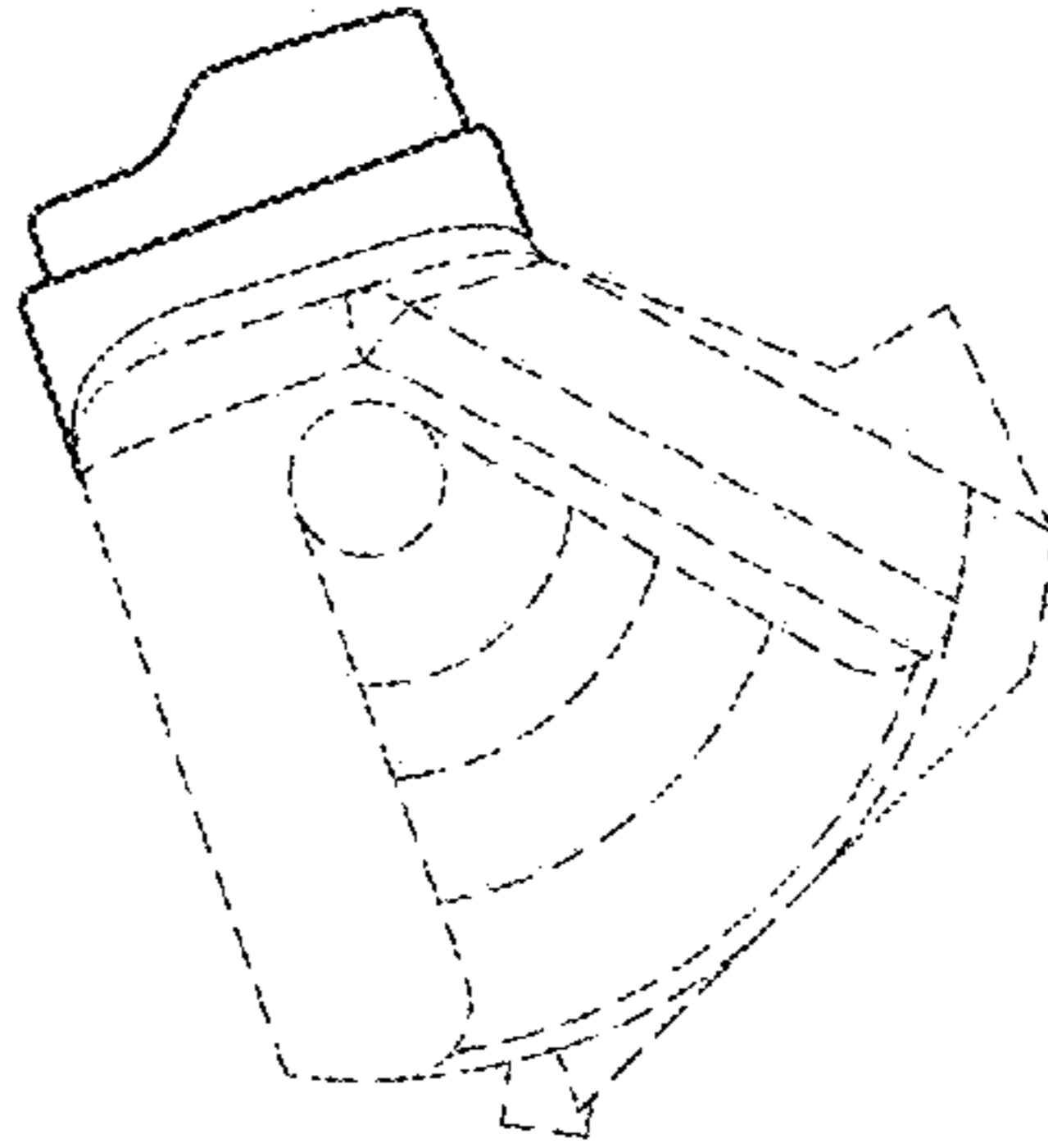


FIG. 5

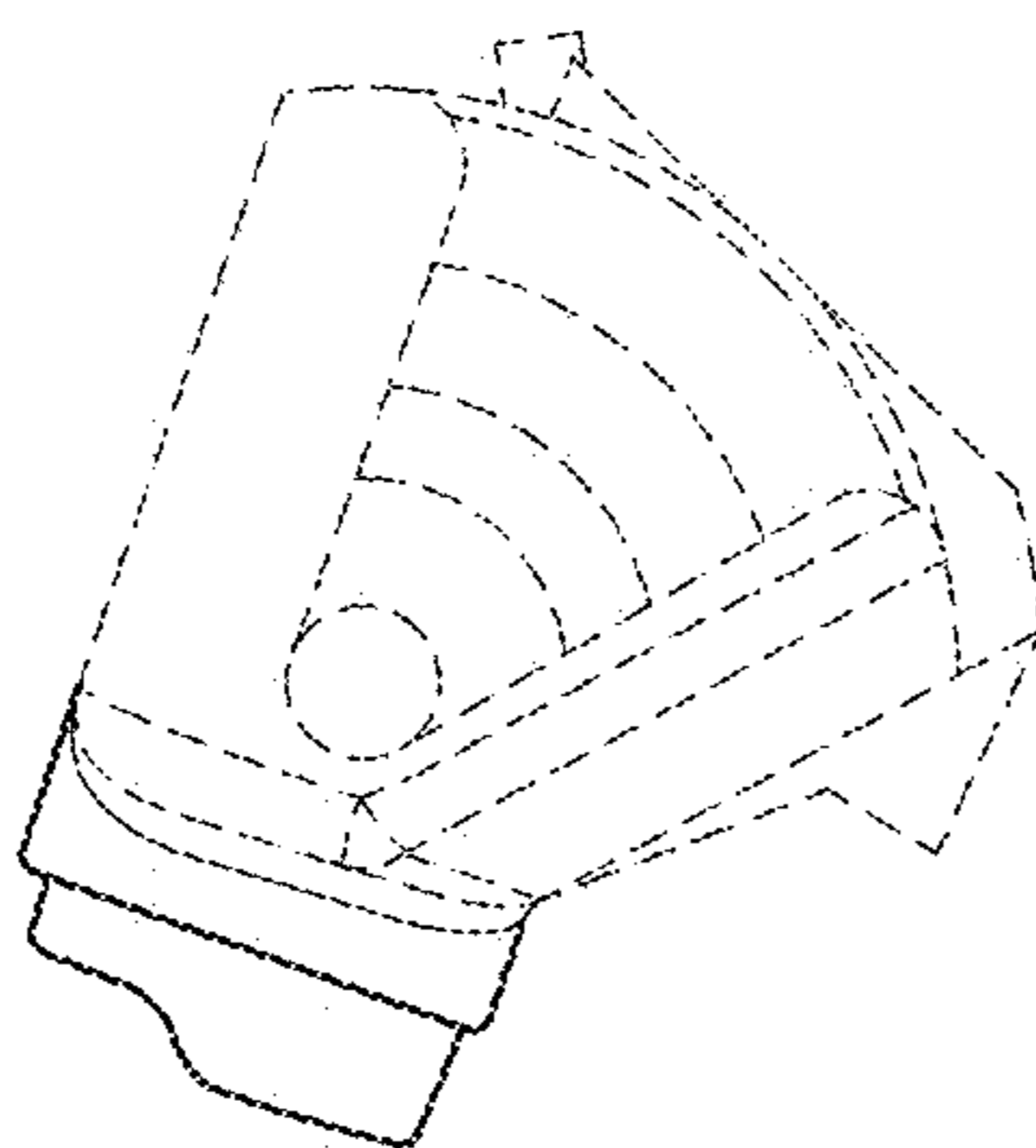


FIG. 4

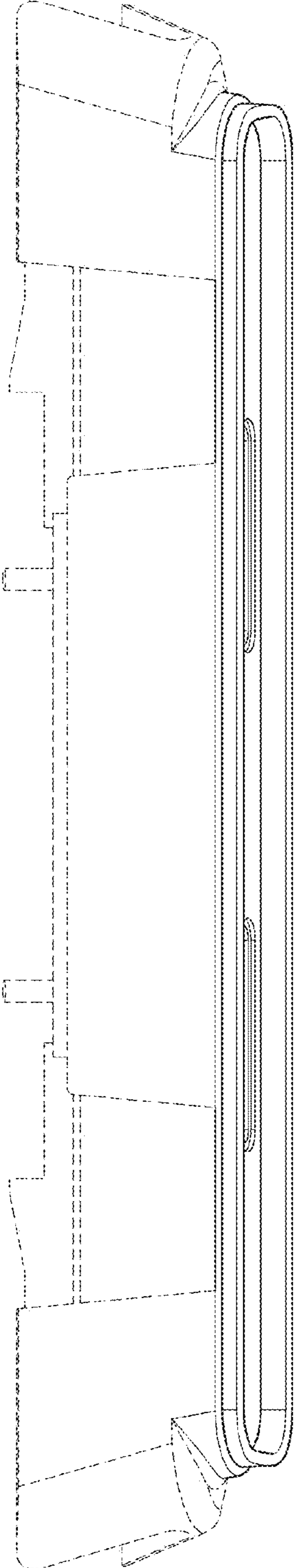


FIG. 6

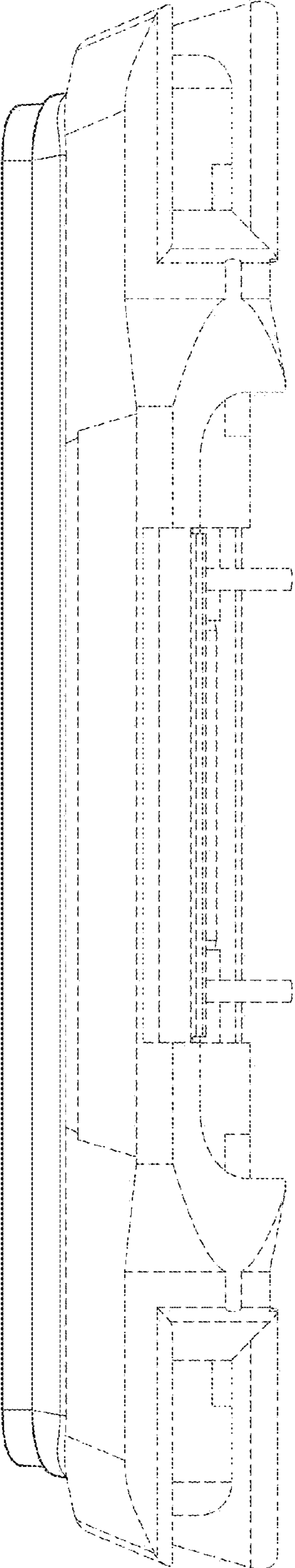


FIG. 7

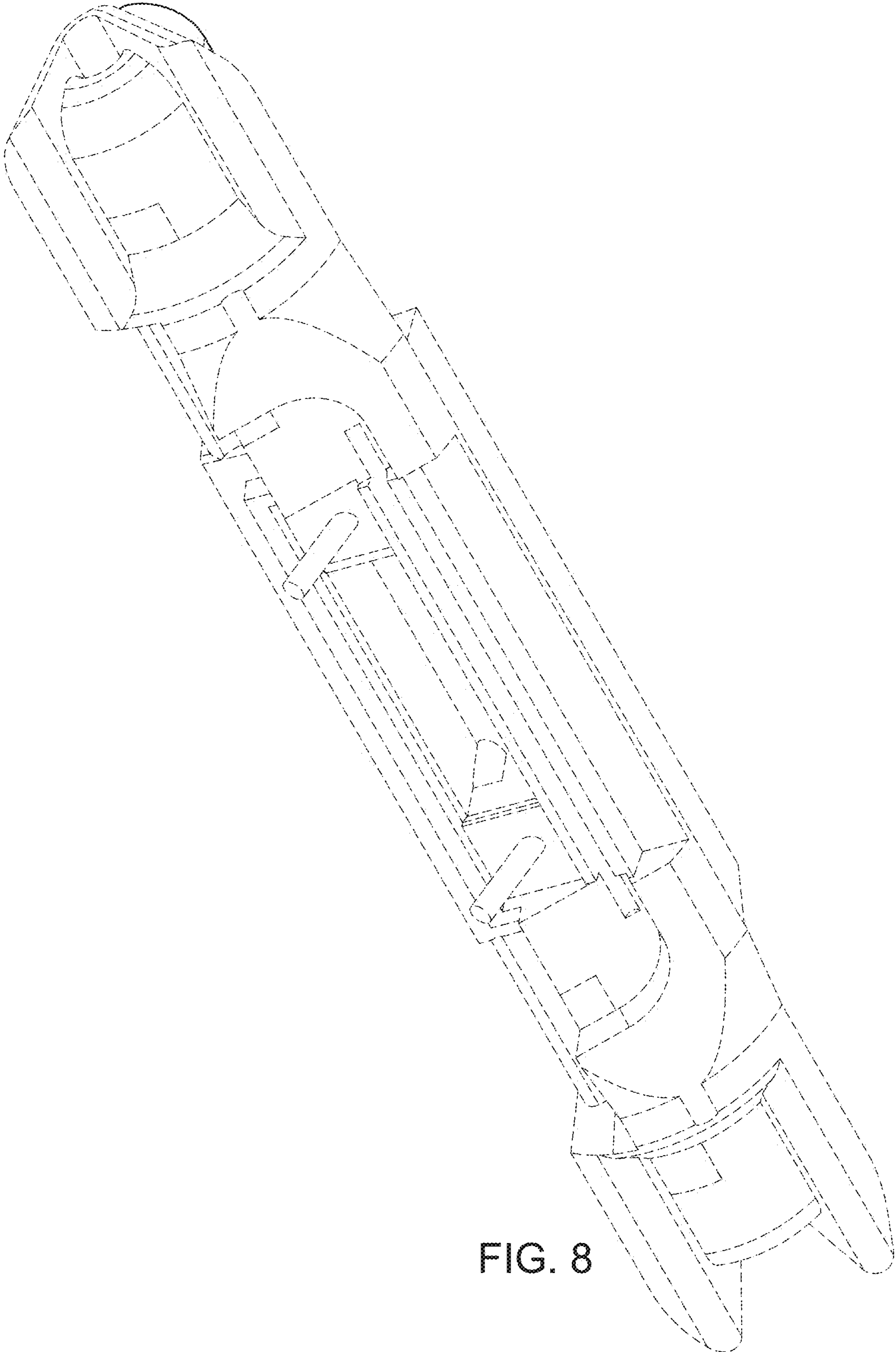


FIG. 8