



US00D964647S

(12) **United States Design Patent** (10) **Patent No.:** **US D964,647 S**
Qi (45) **Date of Patent:** **** Sep. 20, 2022**

- (54) **HAIR CURLING WAND**
- (71) Applicant: **Shanghai Taimo Electronic Technology Co., Ltd., Shanghai (CN)**
- (72) Inventor: **Miao Qi, Shanghai (CN)**
- (73) Assignee: **Shanghai Taimo Electronic Technology Co., Ltd., Shanghai (CN)**
- (**) Term: **15 Years**
- (21) Appl. No.: **29/765,219**
- (22) Filed: **Jan. 6, 2021**
- (51) **LOC (13) Cl.** **28-03**
- (52) **U.S. Cl.**
USPC **D28/35**
- (58) **Field of Classification Search**
USPC D28/9-11, 35, 99
CPC ... A45D 1/00; A45D 1/04; A45D 1/06; A45D 1/10; A45D 1/14; A45D 2/00; A45D 2/02; A45D 2/12; A45D 6/00
See application file for complete search history.

- D915,670 S * 4/2021 Huang D28/35
- D921,290 S * 6/2021 Yang D28/35
- D943,203 S * 2/2022 Chandra D28/35
- 2018/0249801 A1* 9/2018 Aizenberg A45D 2/367

OTHER PUBLICATIONS

Tymo Rota Automatic Curling Iron Wand, first available on Dec. 30, 2021 on amazon.com, retrieved from: https://www.amazon.com/dp/B09MM24M4T/ref=emc_b_5_i.*

TYMO Steam Curling Iron Wand, first available on Jan. 25, 2022 on amazon.com, retrieved from: https://www.amazon.com/TYMO-Hydrating-Professional-Temperature-Releasing/dp/B09N8LL6W5/ref=asc_df_B09N8LL6W5/?tag=hyprod-20&linkCode=df0&hvadid=564786904979&hvpos=&hvnetw=g&hvrand=4407397806646098210&hvpone=&hvptwo=&hvqmt=&h.*

* cited by examiner

Primary Examiner — Jennifer Rivard
Assistant Examiner — Alison M Ofstun
 (74) *Attorney, Agent, or Firm* — ScienBiziP, P.C.

(57) **CLAIM**

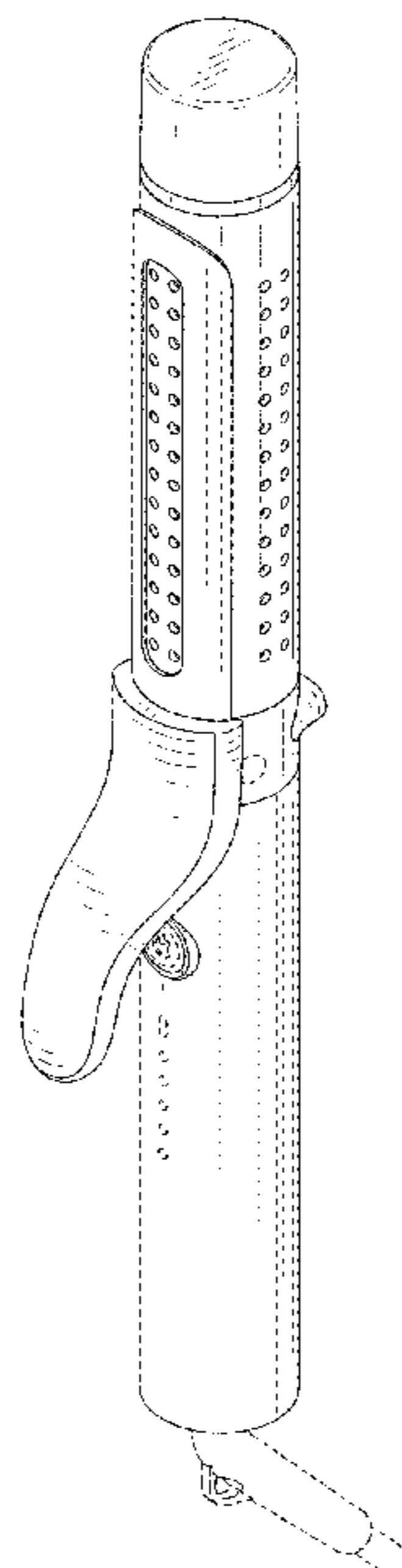
The ornamental design for a hair curling wand, as shown and described.

DESCRIPTION

FIG. 1 is a front perspective view of a hair curling wand, showing my design.
 FIG. 2 is a rear perspective view of the hair curling wand.
 FIG. 3 is a front elevation view thereof.
 FIG. 4 is a rear elevation view thereof.
 FIG. 5 is a left side elevation view thereof.
 FIG. 6 is a right side elevation view thereof.
 FIG. 7 is a top plan view thereof; and,
 FIG. 8 is a bottom plan view thereof.
 The broken lines in the drawings depict portions of the hair curling wand that form no part of the claimed design.

1 Claim, 8 Drawing Sheets

- (56) **References Cited**
U.S. PATENT DOCUMENTS
- 4,473,086 A * 9/1984 Thaler A45D 1/18
132/229
- 4,625,738 A * 12/1986 Skovdal A45D 1/04
132/229
- 5,494,058 A * 2/1996 Chan A45D 4/10
132/229
- D570,042 S * 5/2008 Leung D28/35
- D736,464 S * 8/2015 Fernandes da Costa D28/35
- D748,331 S * 1/2016 Prats D28/35
- D786,506 S * 5/2017 Ceva D28/35
- D857,292 S * 8/2019 Hu D28/35
- D884,271 S * 5/2020 Liao D28/35



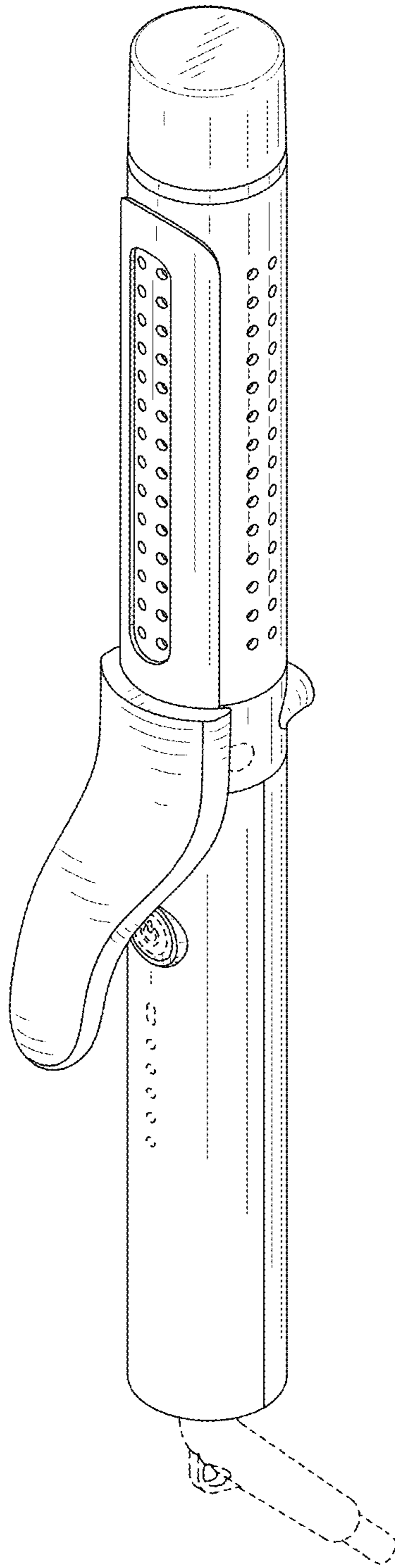


FIG. 1

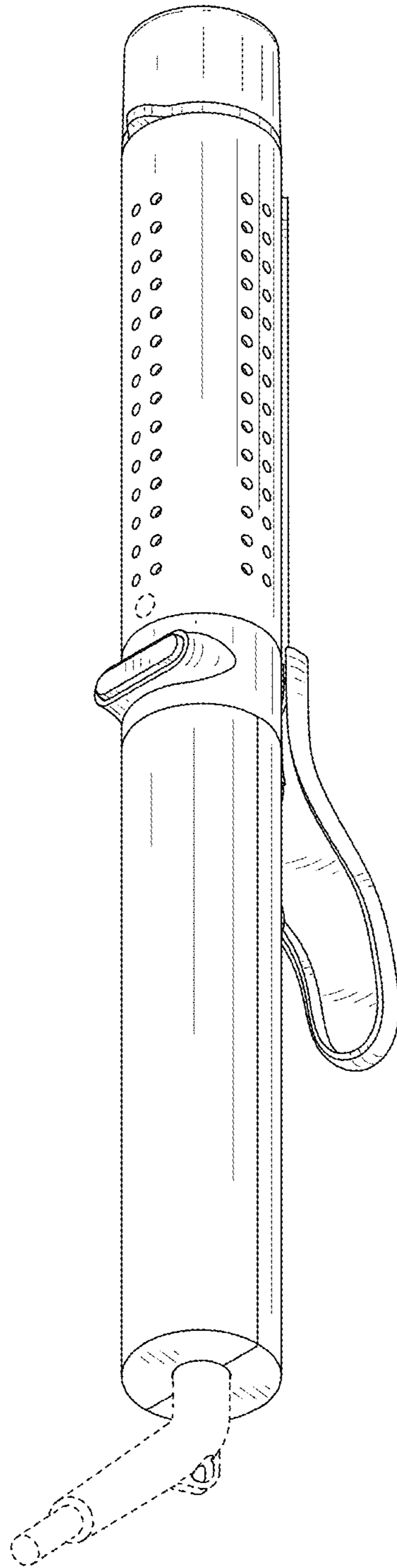


FIG. 2

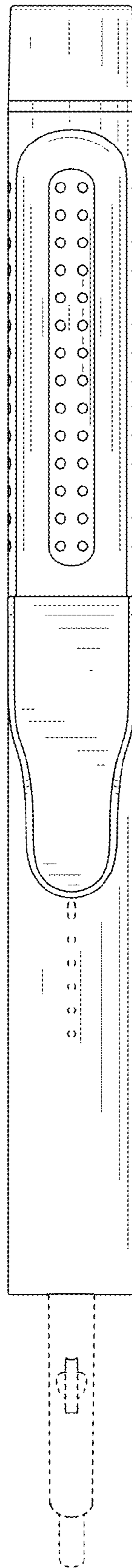


FIG. 3

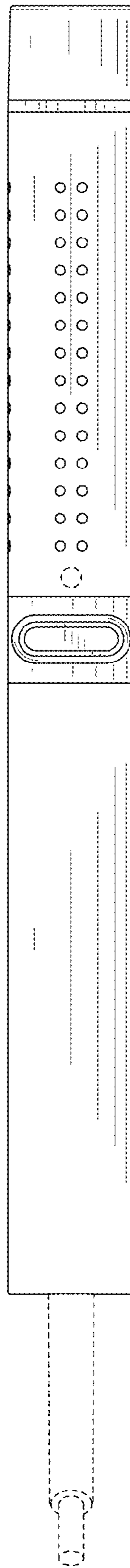


FIG. 4

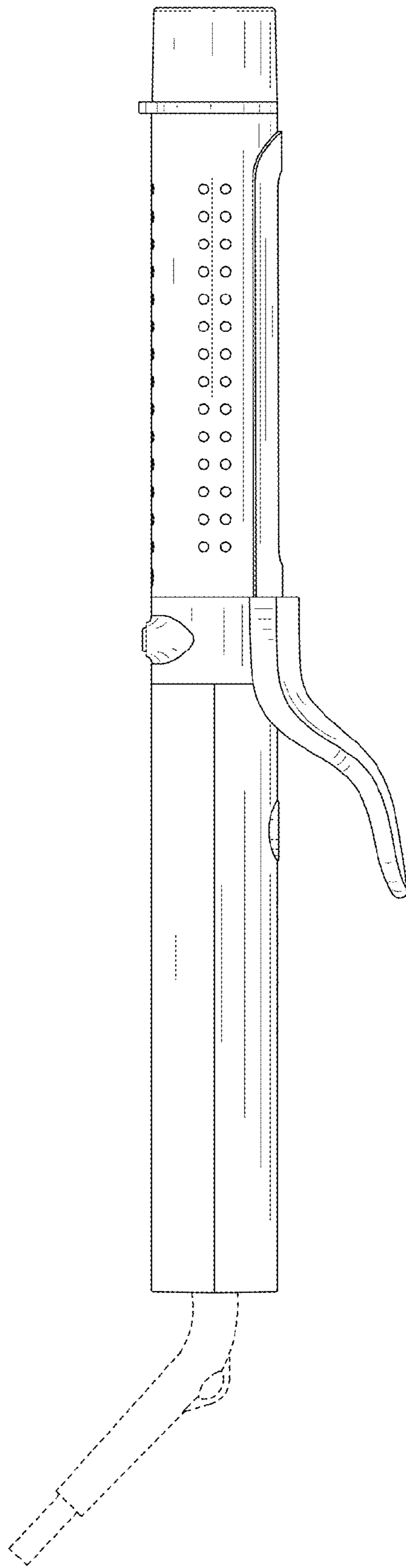


FIG. 5

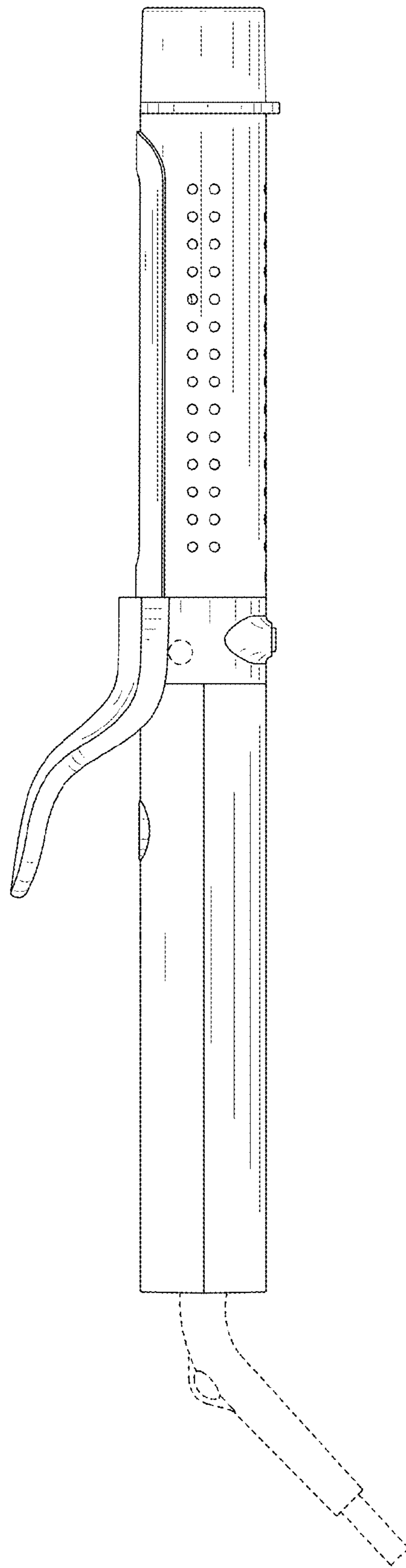


FIG. 6

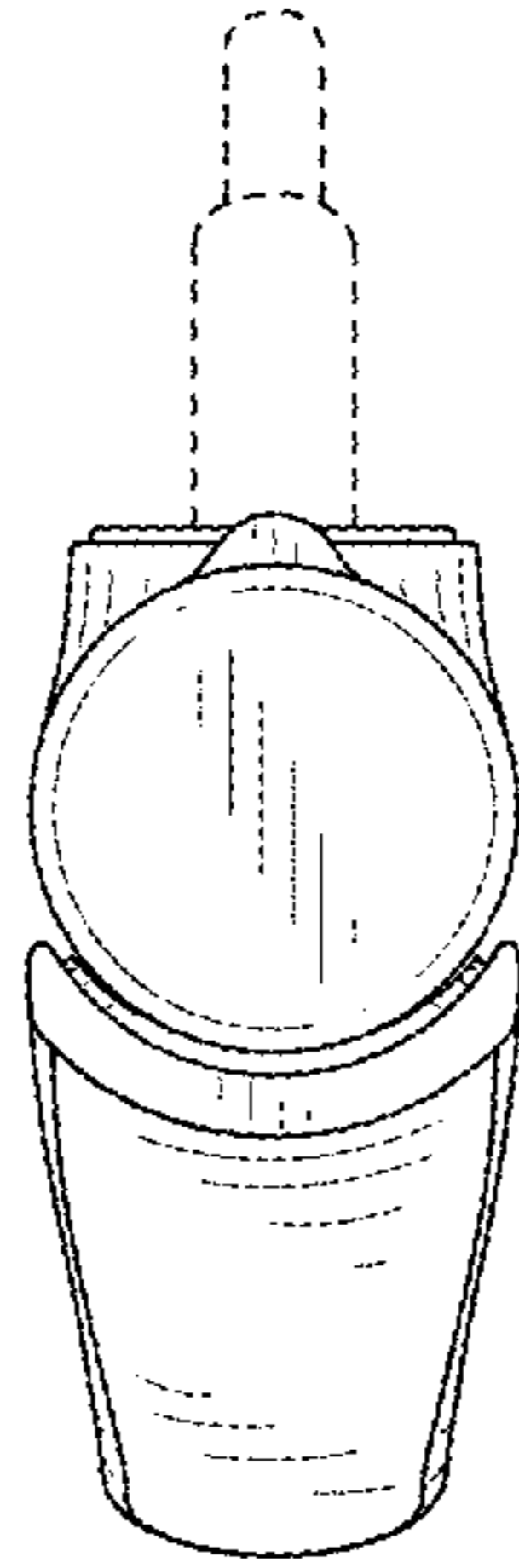


FIG. 7

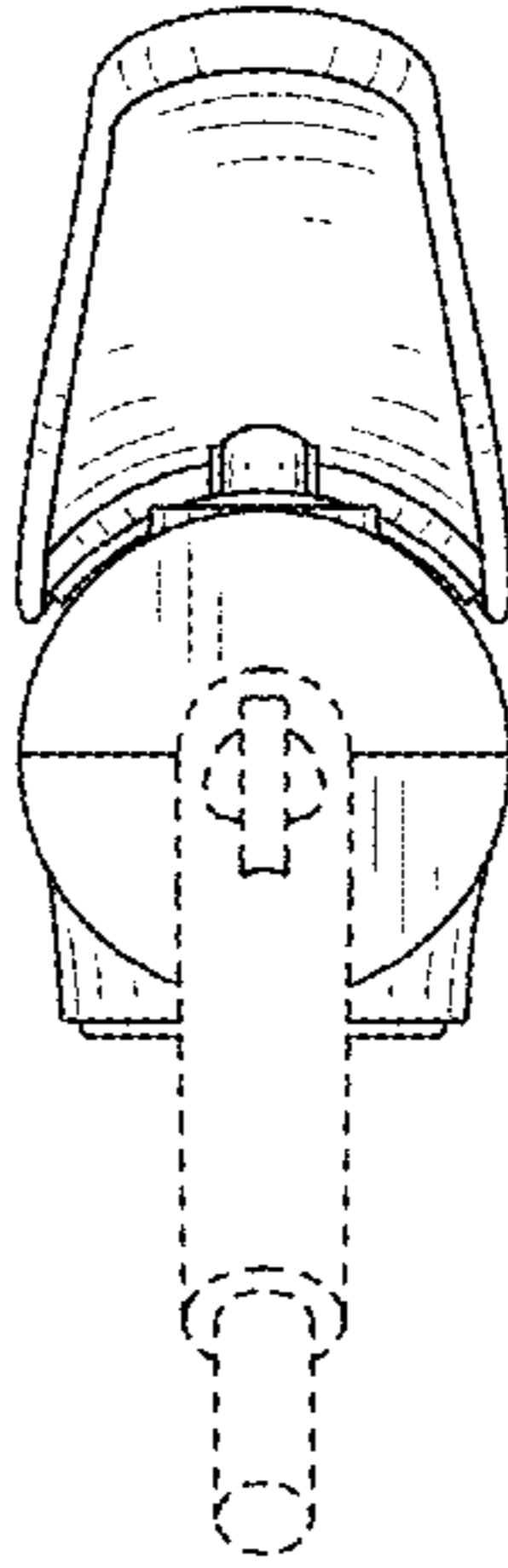


FIG. 8