



US00D964645S

(12) **United States Design Patent**
Sillen, Jr.

(10) **Patent No.:** **US D964,645 S**

(45) **Date of Patent:** **** Sep. 20, 2022**

(54) **CIGAR HOLDER**

(71) Applicant: **Thomas A. Sillen, Jr.**, Glendale, CA
(US)

(72) Inventor: **Thomas A. Sillen, Jr.**, Glendale, CA
(US)

(**) Term: **15 Years**

(21) Appl. No.: **29/767,693**

(22) Filed: **Jan. 25, 2021**

(51) **LOC (13) Cl.** **27-06**

(52) **U.S. Cl.**
USPC **D27/183**

(58) **Field of Classification Search**
USPC D27/183, 172, 180, 181, 186, 187,
D27/189-191, 193
CPC A24F 13/02; A24F 13/08; A24F 13/00;
A24F 13/14
See application file for complete search history.

(56) **References Cited**

U.S. PATENT DOCUMENTS

D658,329 S *	4/2012	Katz	D27/125
D790,128 S *	6/2017	Khoury	D27/183
D794,246 S *	8/2017	Baxter	D27/183
D809,195 S *	1/2018	Baxter	D27/183
D812,292 S *	3/2018	Moore	A24F 13/02 D27/183

10,674,760 B2 *	6/2020	Dowling	A24F 13/14
D890,985 S *	7/2020	Attar	D27/183
D921,967 S *	6/2021	Lee	D27/143
D943,821 S *	2/2022	Pummill	D27/183

OTHER PUBLICATIONS

Cigar Holder By: Clicgear found on line (Feb. 25, 2022) <https://www.clicgearusa.com/products/clicgear-cigar-holder> (Dec. 11, 2018).*

* cited by examiner

Primary Examiner — Rebecca Tsehaye

(74) *Attorney, Agent, or Firm* — James A. Italia; Italia IP

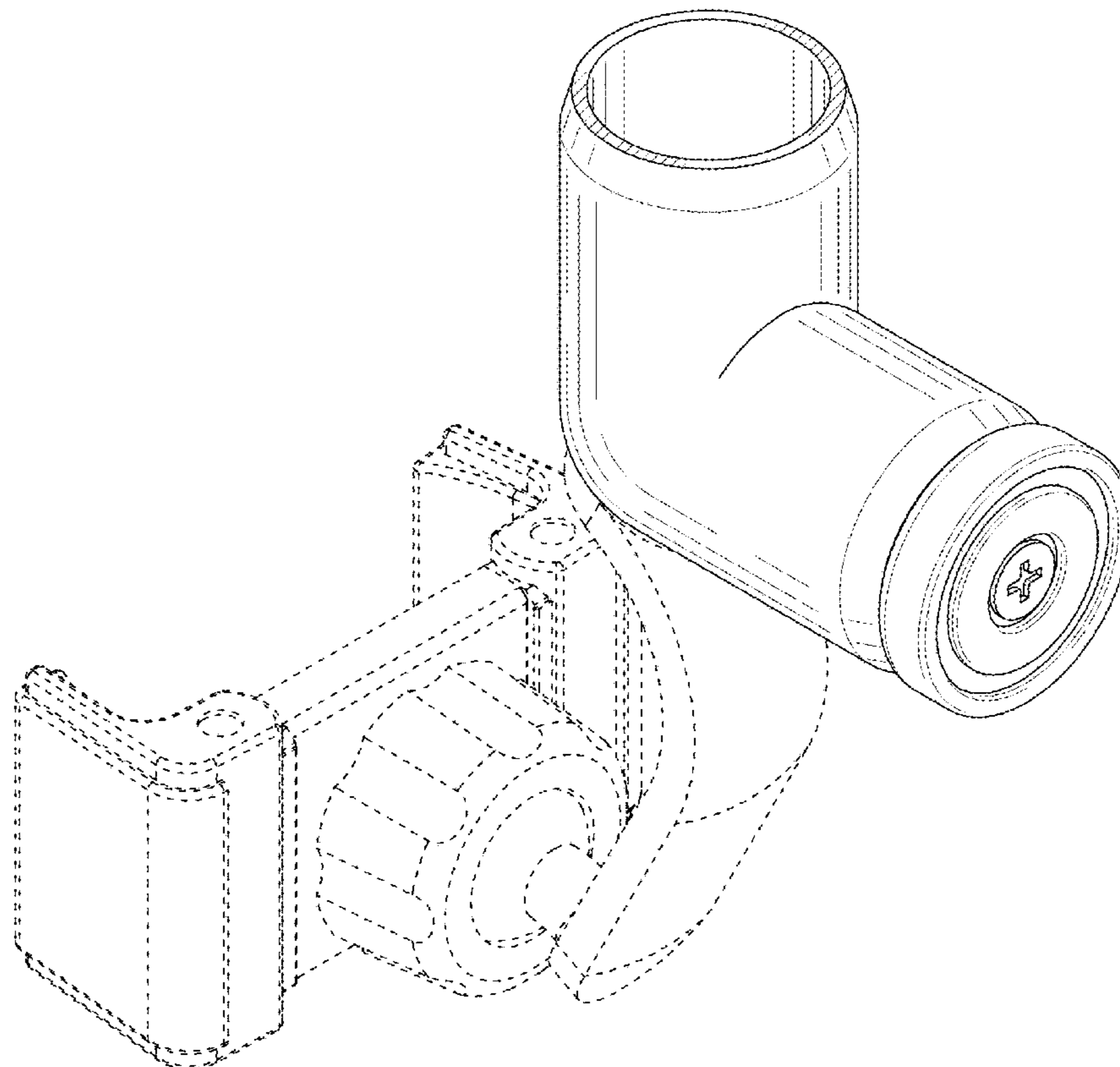
(57) **CLAIM**

The ornamental design for a cigar holder, as shown and described.

DESCRIPTION

FIG. 1 is a rear view of the cigar holder showing my new design;
FIG. 2 is a front view thereof;
FIG. 3 is a top view thereof;
FIG. 4 is a bottom view thereof;
FIG. 5 is a left side view thereof;
FIG. 6 is a right side view thereof; and,
FIG. 7 is a perspective view thereof.
The broken lines illustrate environmental subject matter only that forms no part of the claimed design.

1 Claim, 7 Drawing Sheets



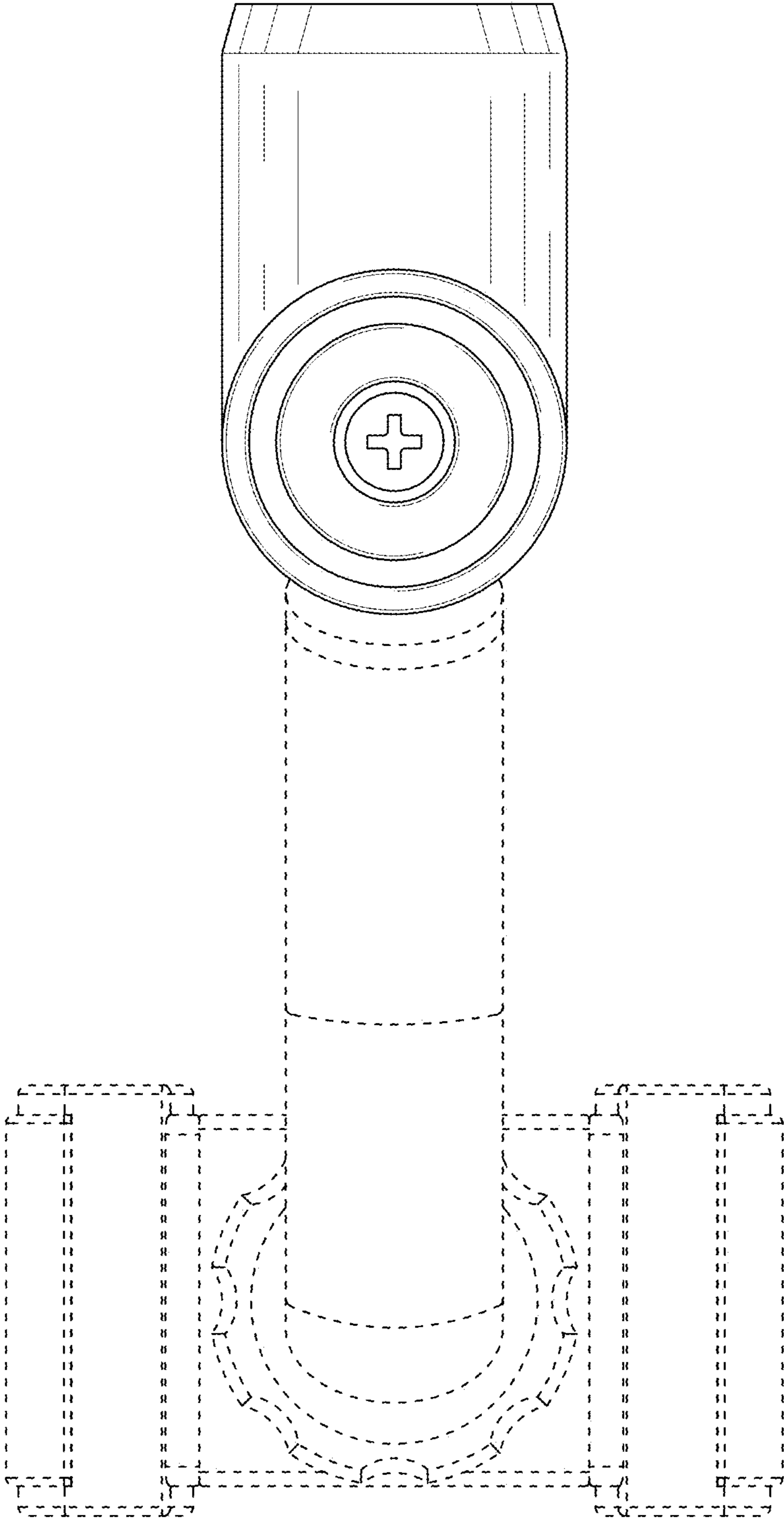


FIG. 1

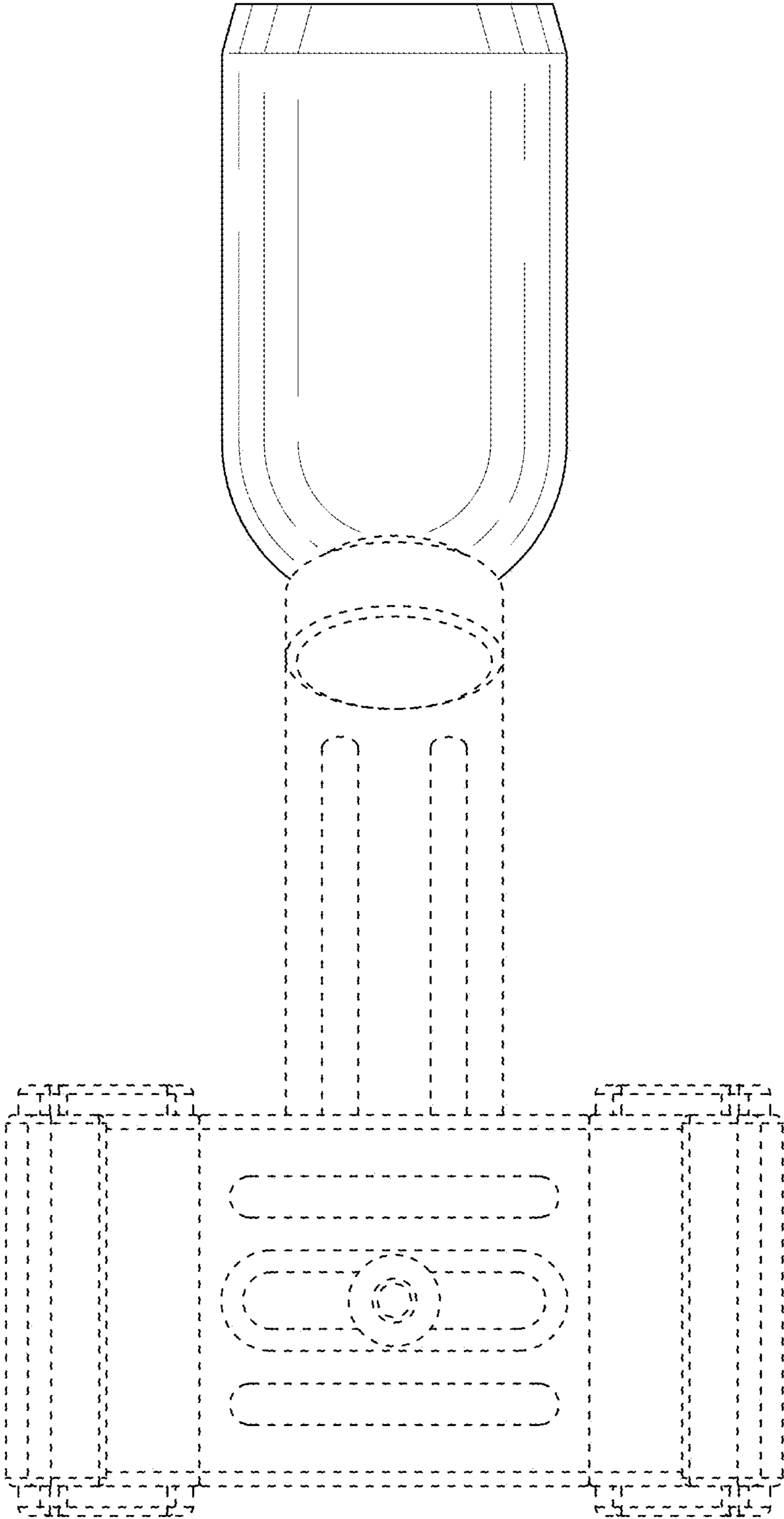


FIG. 2

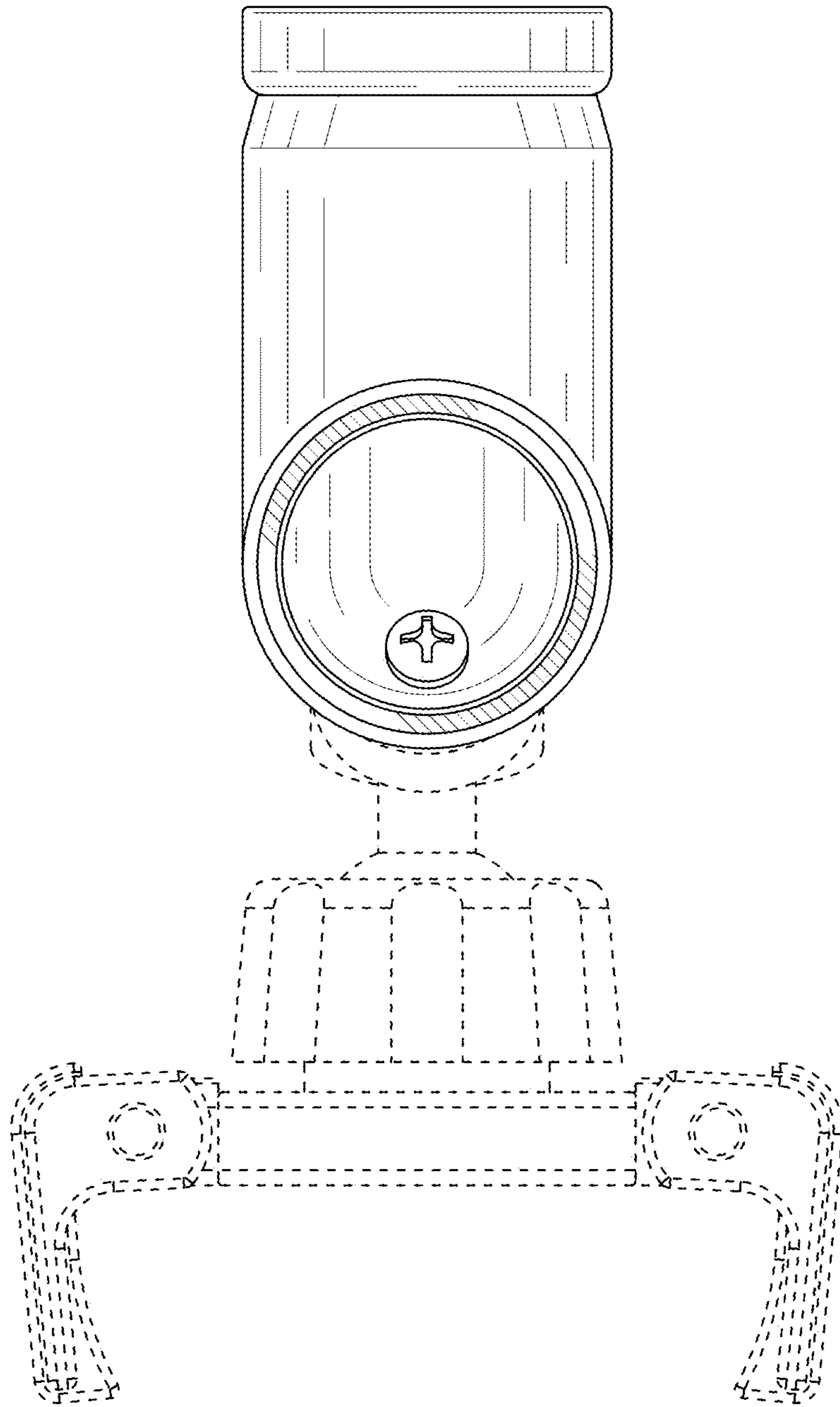


FIG. 3

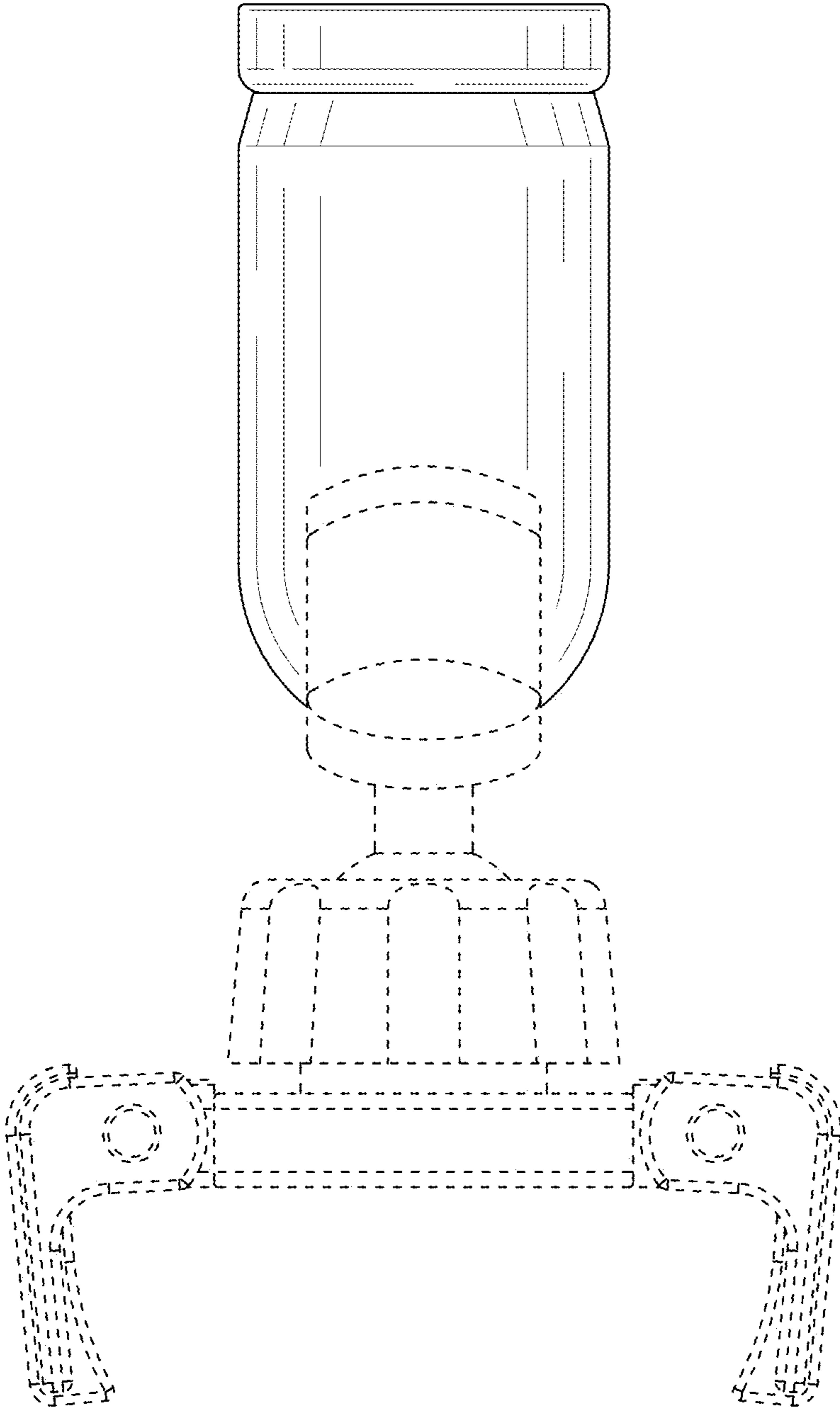


FIG. 4

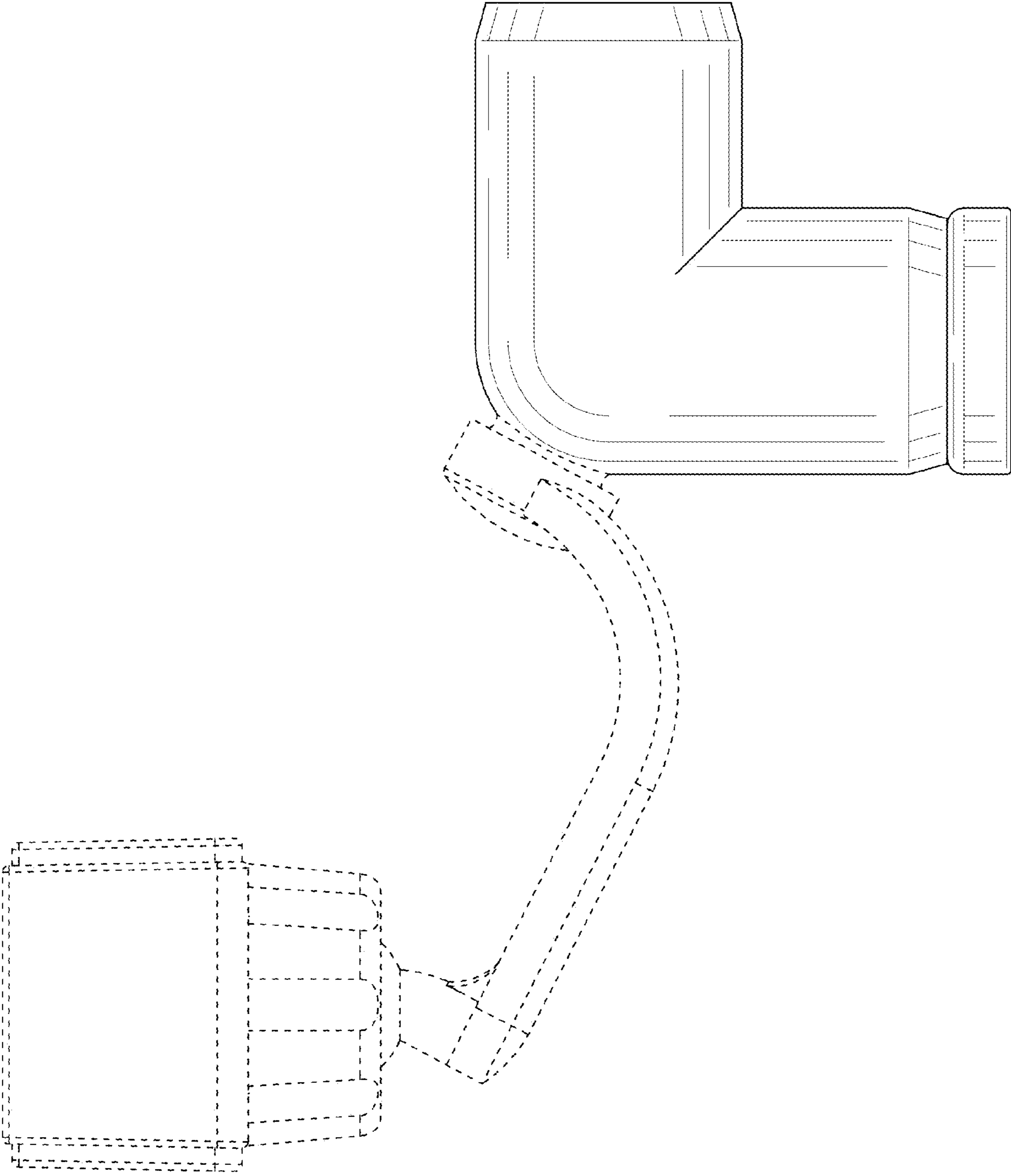


FIG. 5

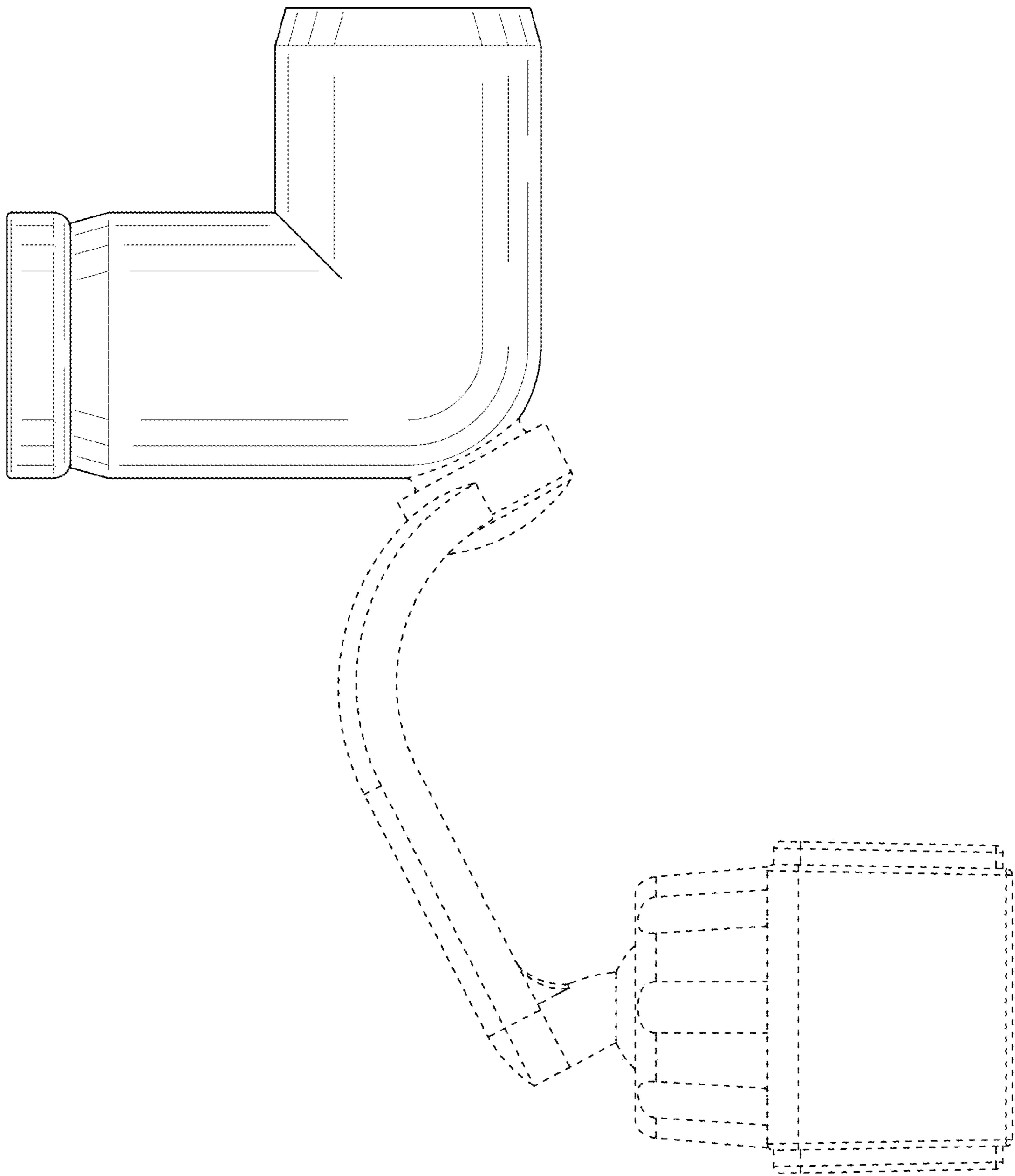


FIG. 6

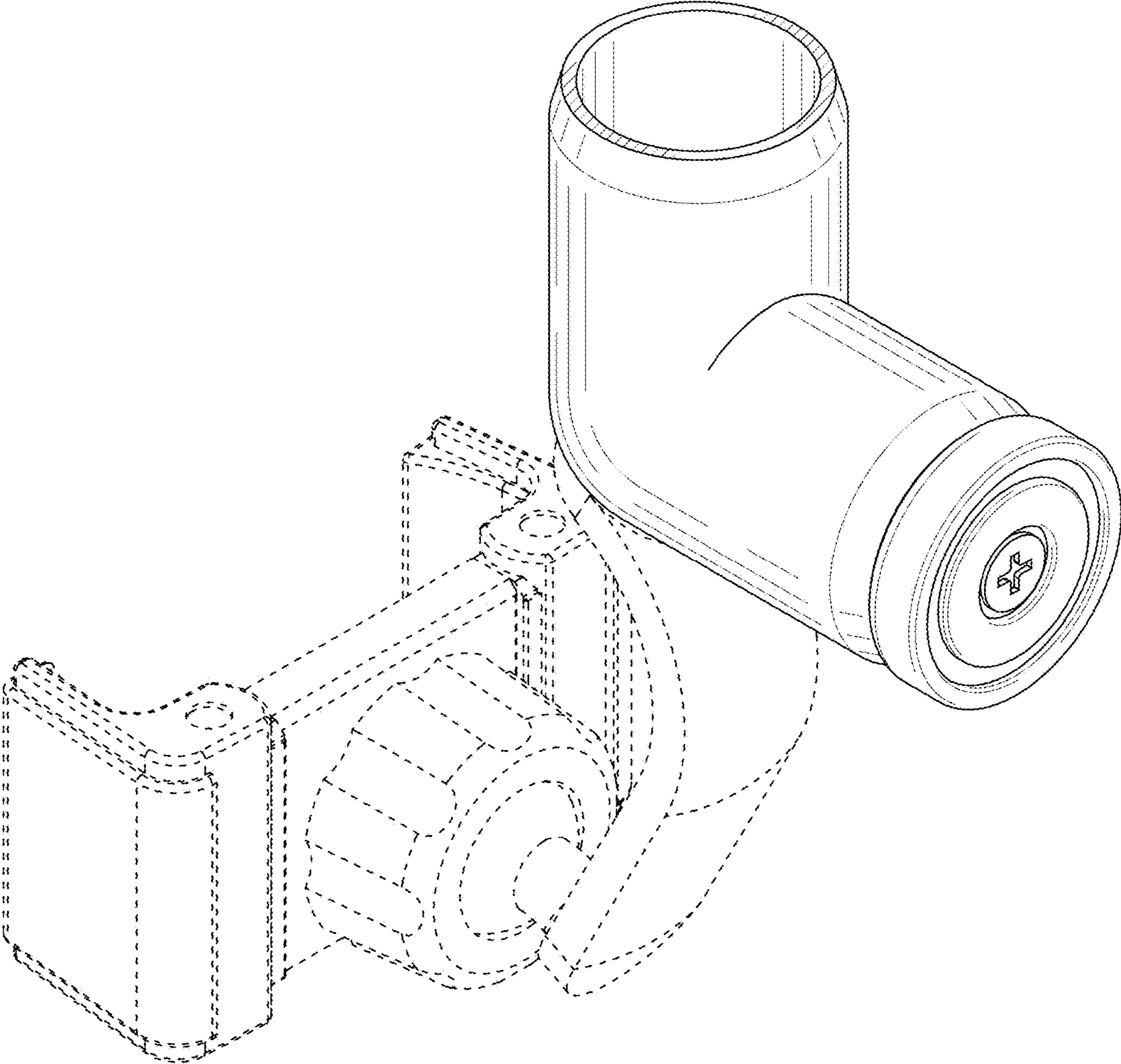


FIG. 7