

US00D964642S

(12) **United States Design Patent**  
**Roehm**

(10) **Patent No.:** **US D964,642 S**

(45) **Date of Patent:** **\*\* Sep. 20, 2022**

(54) **CIGARETTE ROLLING CASE**

(71) Applicant: **Matthew Roehm**, Santa Rosa, CA (US)

(72) Inventor: **Matthew Roehm**, Santa Rosa, CA (US)

(\*\*) Term: **15 Years**

(21) Appl. No.: **29/794,497**

(22) Filed: **Jun. 13, 2021**

(51) **LOC (13) Cl.** ..... **27-06**

(52) **U.S. Cl.**  
USPC ..... **D27/162**

(58) **Field of Classification Search**

USPC ..... D27/186-189, 183, 172, 190-195;  
D3/295, 294, 201, 203.1, 205, 211

CPC ..... A24F 25/02; A24F 25/00  
See application file for complete search history.

(56) **References Cited**

**U.S. PATENT DOCUMENTS**

3,011,498	A	12/1961	Armelin	
3,911,933	A	10/1975	Crisp et al.	
D351,681	S *	10/1994	Lechere	D27/189
D398,715	S *	9/1998	Descalzo	D27/189
D399,598	S *	10/1998	Perkins	D27/189
D585,534	S *	1/2009	Chen	D23/356
D626,688	S *	11/2010	Gibson	D27/189
8,178,854	B1 *	5/2012	Elliott	A61L 2/10 312/231
D734,535	S *	7/2015	Dyer	D27/189
D741,541	S *	10/2015	Liu	D27/193
D834,248	S *	11/2018	Cordani	D27/172
D856,673	S *	8/2019	Stirnemann	D3/273
D886,454	S *	6/2020	Williamson	D3/294
D889,035	S *	6/2020	Cheung	D27/186
D889,739	S *	7/2020	Ringrose	D27/186

(Continued)

**OTHER PUBLICATIONS**

Metal Cigarette Rolling Machine By: Hornet found on line (Apr. 25, 2022) <https://alitoools.io/en/showcase/hornet-70mm-78mm-110mm->

metal-cigarette-rolling-machine-tobacco-cigarette-roller-for-rolling-paper-cigarette-wrapping-machine-32729335745 (May 25, 2020).\*

(Continued)

*Primary Examiner* — Rebecca Tsehaye

(74) *Attorney, Agent, or Firm* — My Patent Guys; Christopher Pilling; Johan Eide

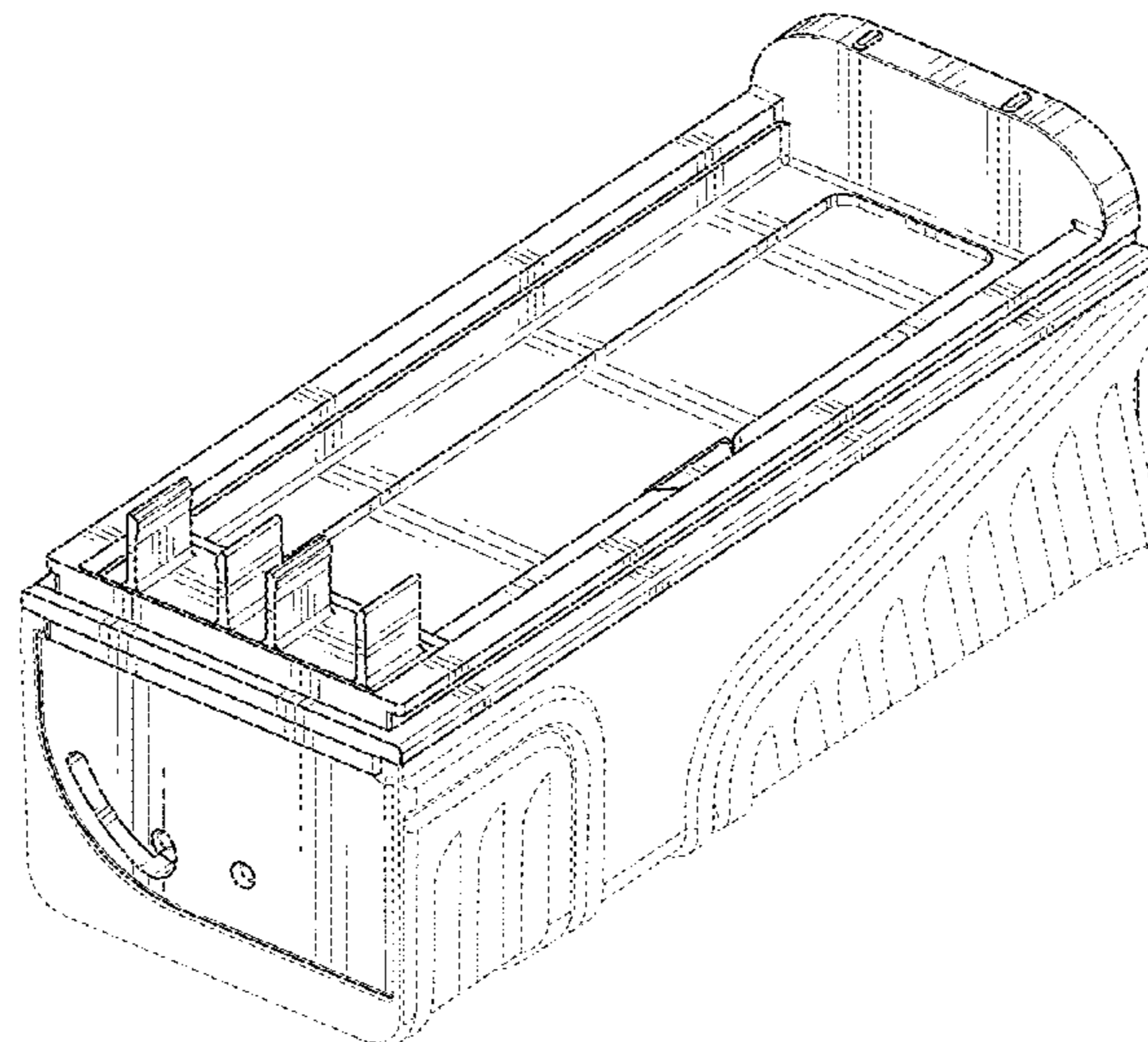
(57) **CLAIM**

I claim the ornamental design for a cigarette rolling case, as shown and described.

**DESCRIPTION**

FIG. 1 is a top, front, left perspective view showing my new design of a cigarette rolling case with the top cover removed; FIG. 2 is a top view thereof; FIG. 3 is a front view thereof, the rear view being a mirror image thereof; FIG. 4 is a left side view thereof; FIG. 5 is a right side view thereof; FIG. 6 is a bottom, rear, tight perspective of the cigarette rolling case with the bottom cover removed; FIG. 7 is a bottom view thereof; FIG. 8 is a rear view thereof; FIG. 9 is a front view thereof; FIG. 10 is a right side view thereof; FIG. 11 is a left side view thereof; FIG. 12 is a top, front, left perspective view of the cigarette rolling case; FIG. 13 is a front view thereof; FIG. 14 a top view thereof; FIG. 15 is a bottom view thereof; FIG. 16 is a left side view thereof; and, FIG. 17 is a right side view thereof. The broken lines in the drawings depict portions of the cigarette rolling case that forms no part of the claimed design.

**1 Claim, 17 Drawing Sheets**



(56)

**References Cited**

U.S. PATENT DOCUMENTS

D895,200 S \* 9/2020 Wu ..... D27/189  
D940,952 S \* 1/2022 Kim ..... D27/172  
D946,279 S \* 3/2022 Seiders ..... B65D 43/165  
D3/294

OTHER PUBLICATIONS

Wesley, Roll your own, [www.wesleys.co.za/ryo.htm](http://www.wesleys.co.za/ryo.htm).  
Resolute Star, Cigarette case & Rolling Machine: Cigarette, [resolutestar.com](http://resolutestar.com).  
Etsy, Leather case rolling tobacco, [www.etsy.com/listing/244677005/leather-case-rolling-tobacco?gpla=1&gao-1&](http://www.etsy.com/listing/244677005/leather-case-rolling-tobacco?gpla=1&gao-1&).

\* cited by examiner

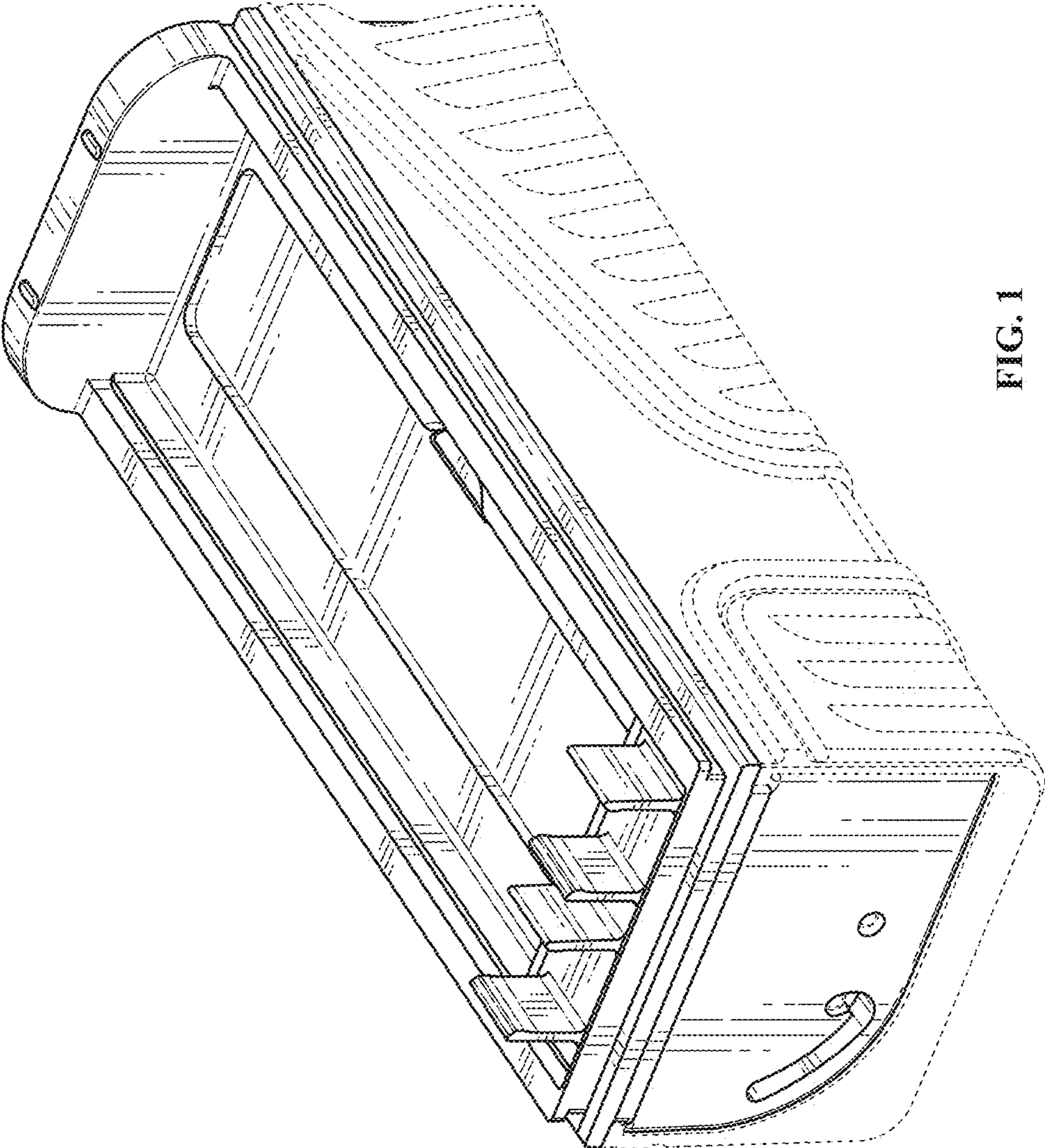


FIG. 1

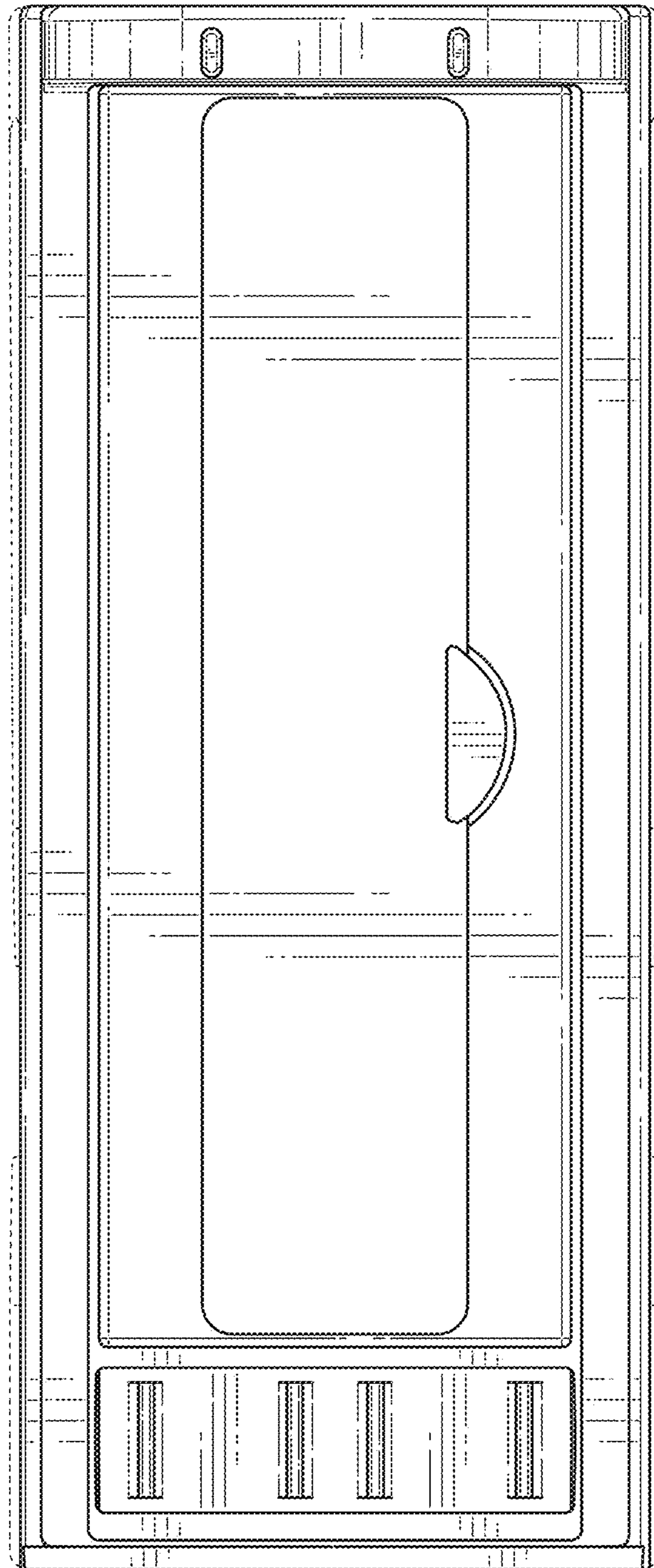


FIG. 2

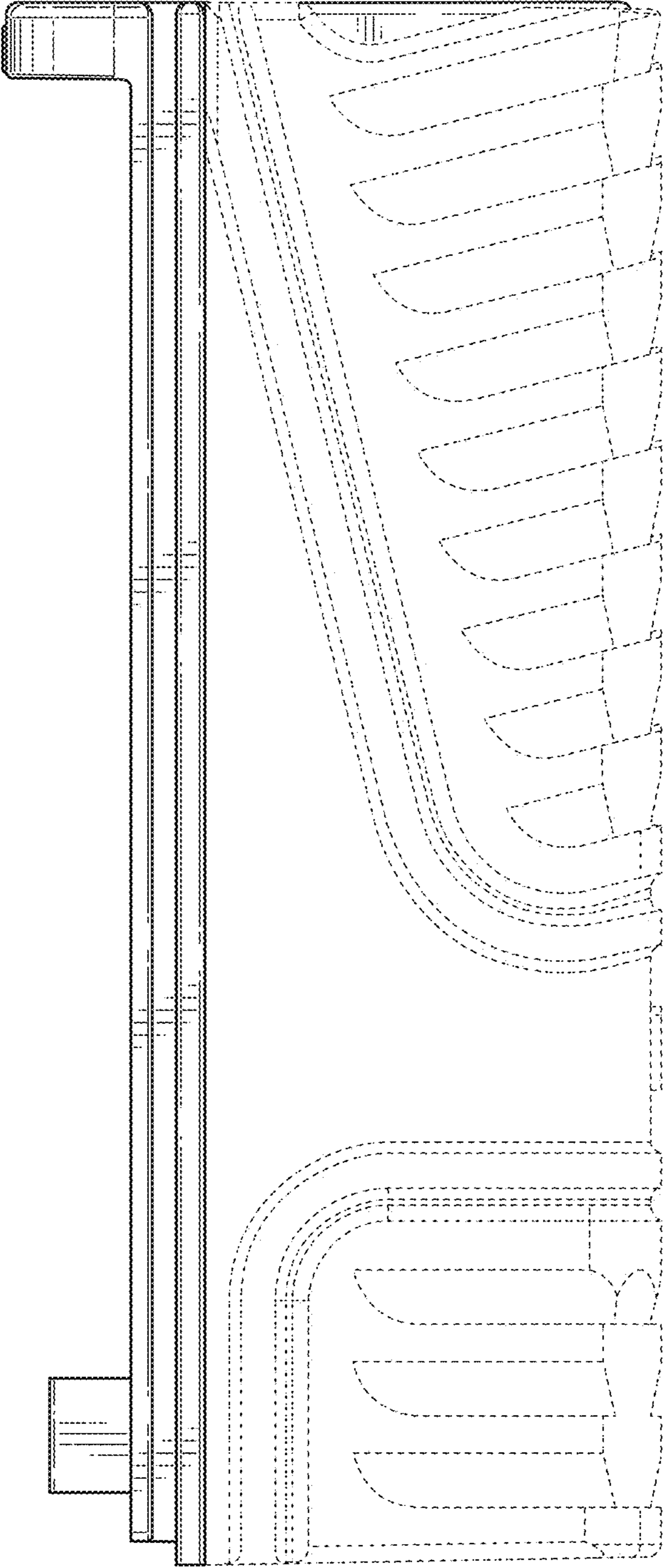


FIG. 3

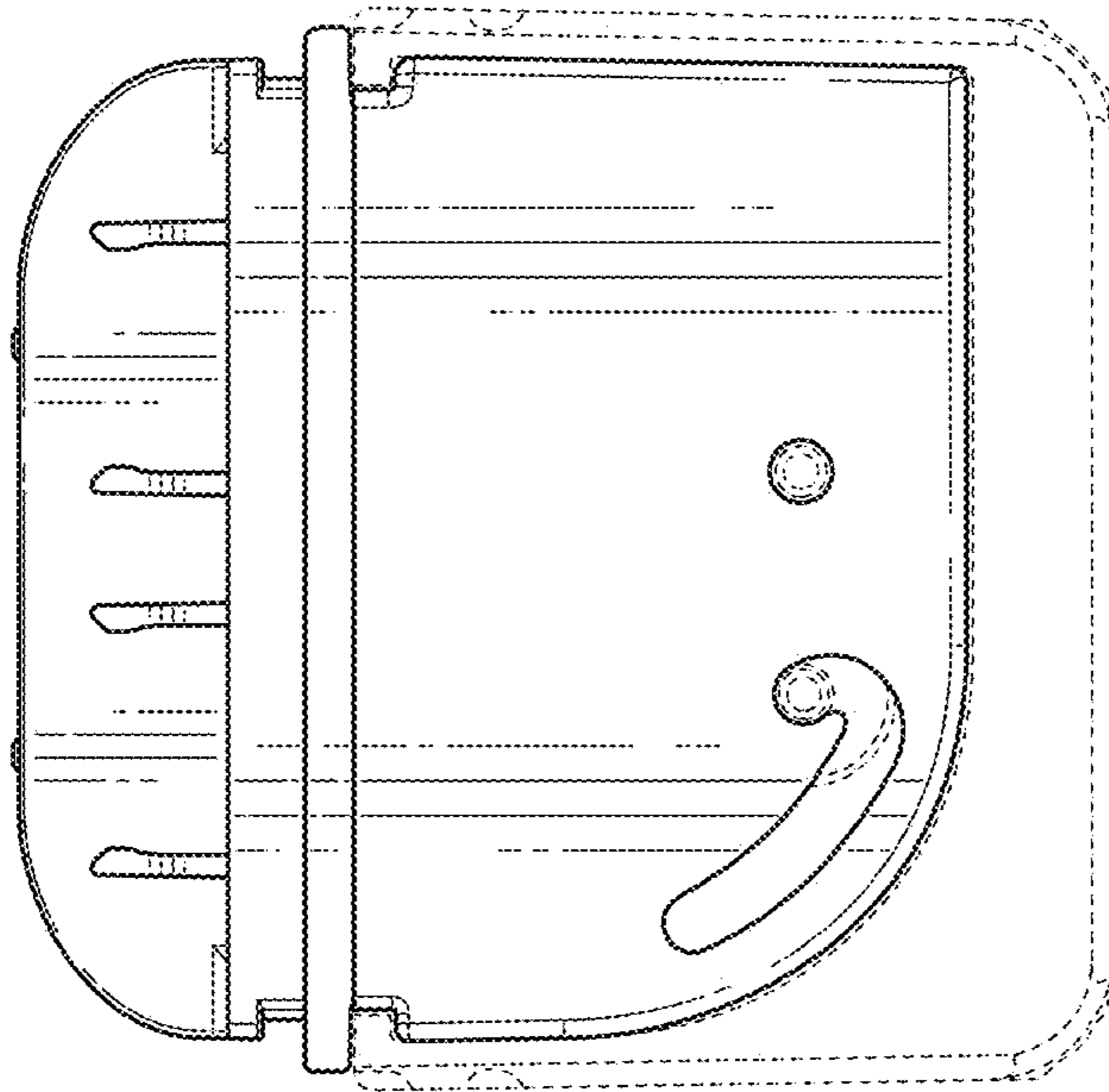


FIG. 4

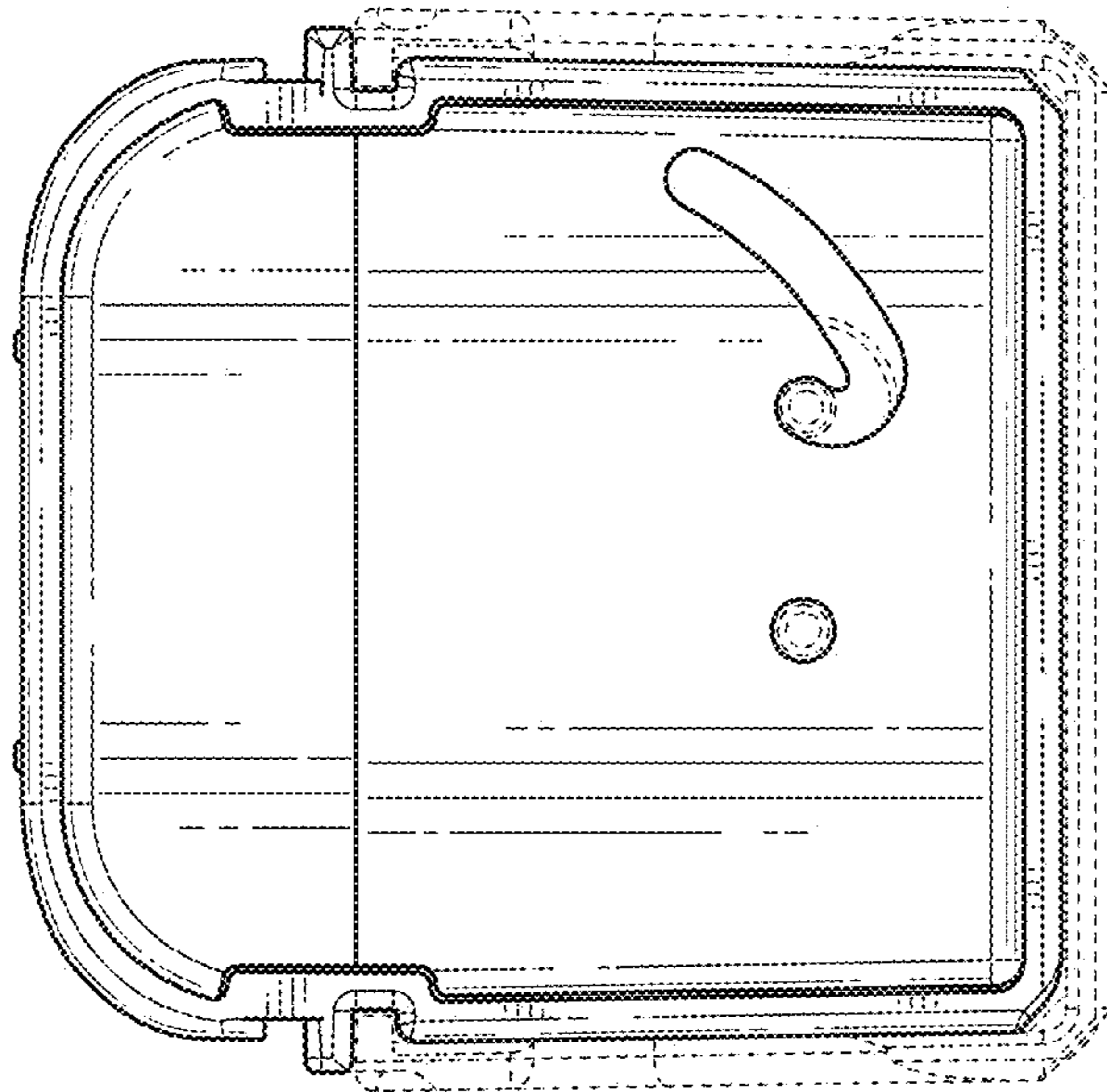


FIG. 5

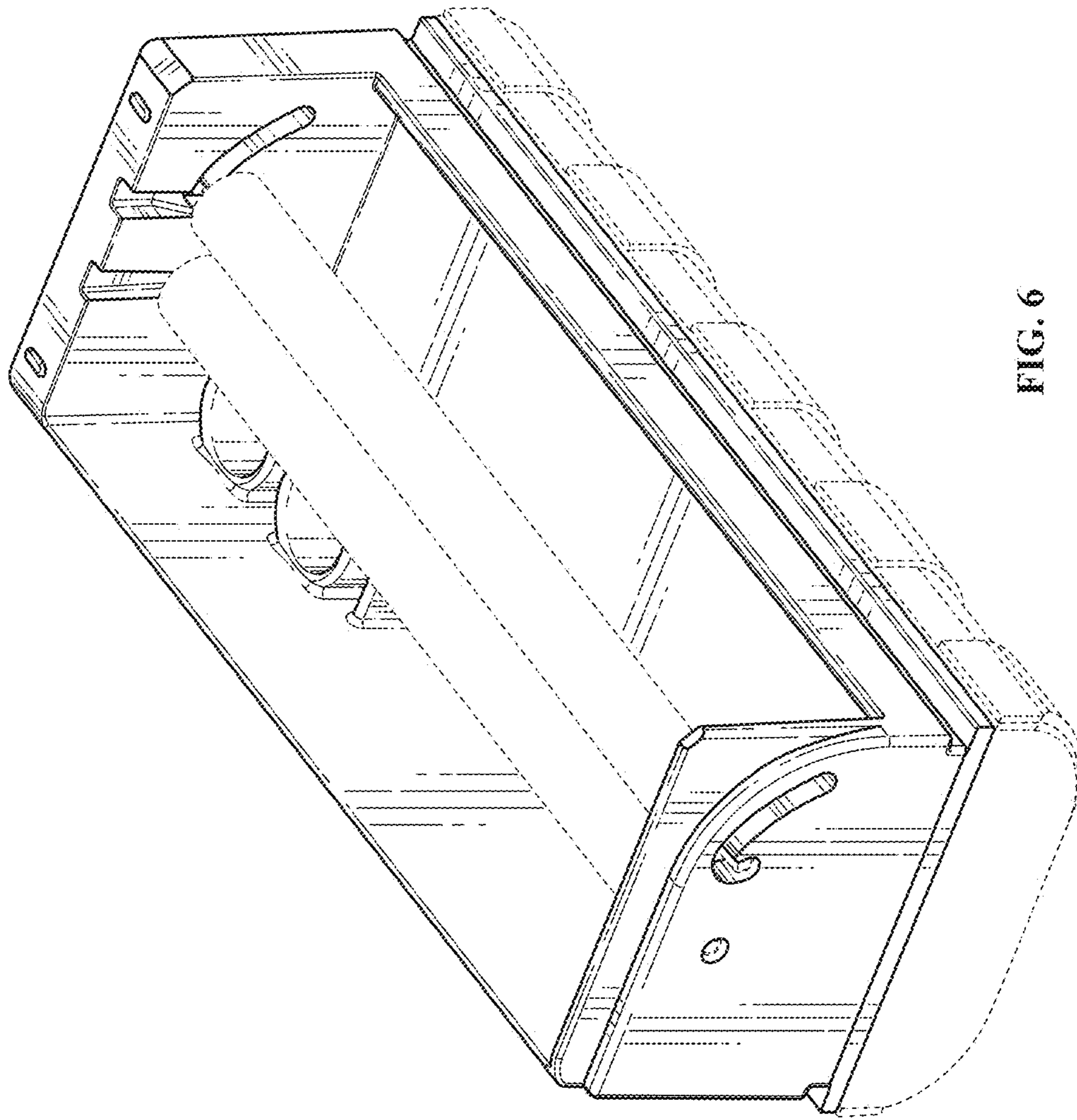


FIG. 6



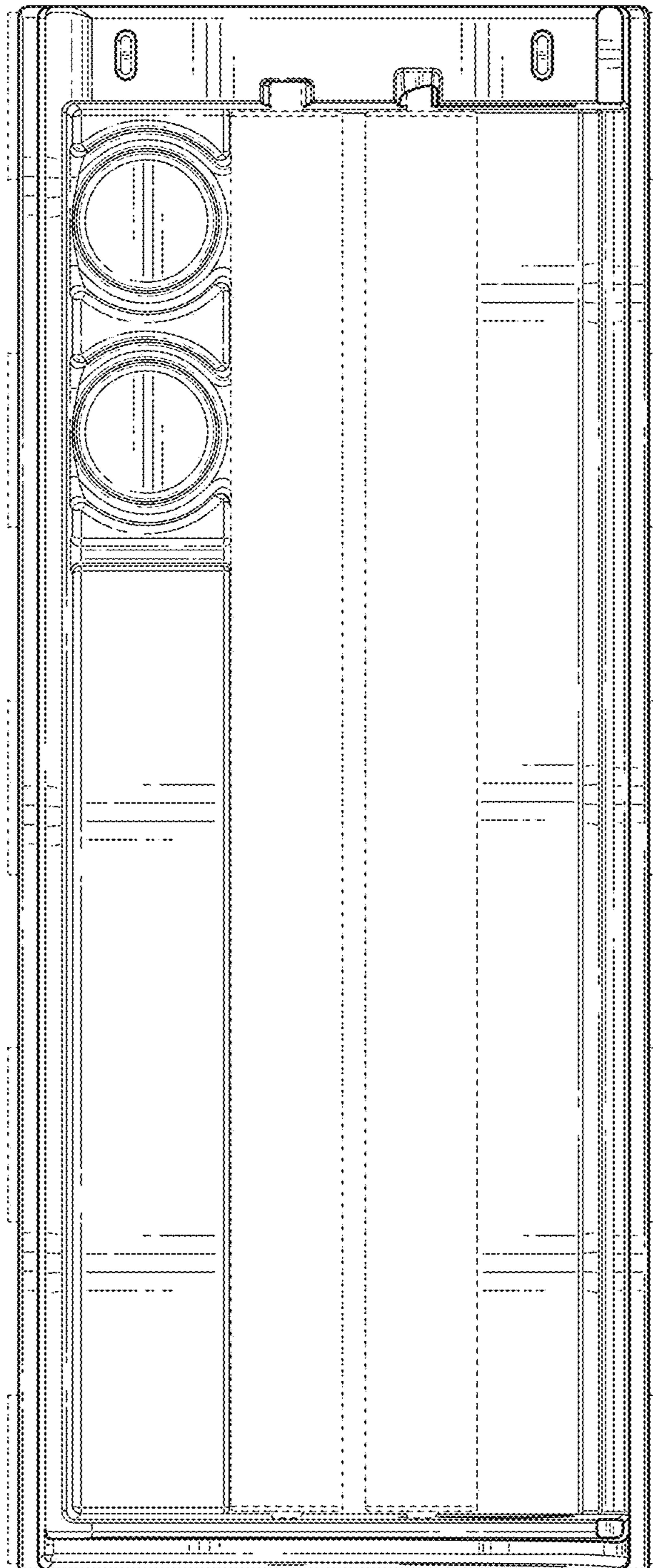


FIG. 7

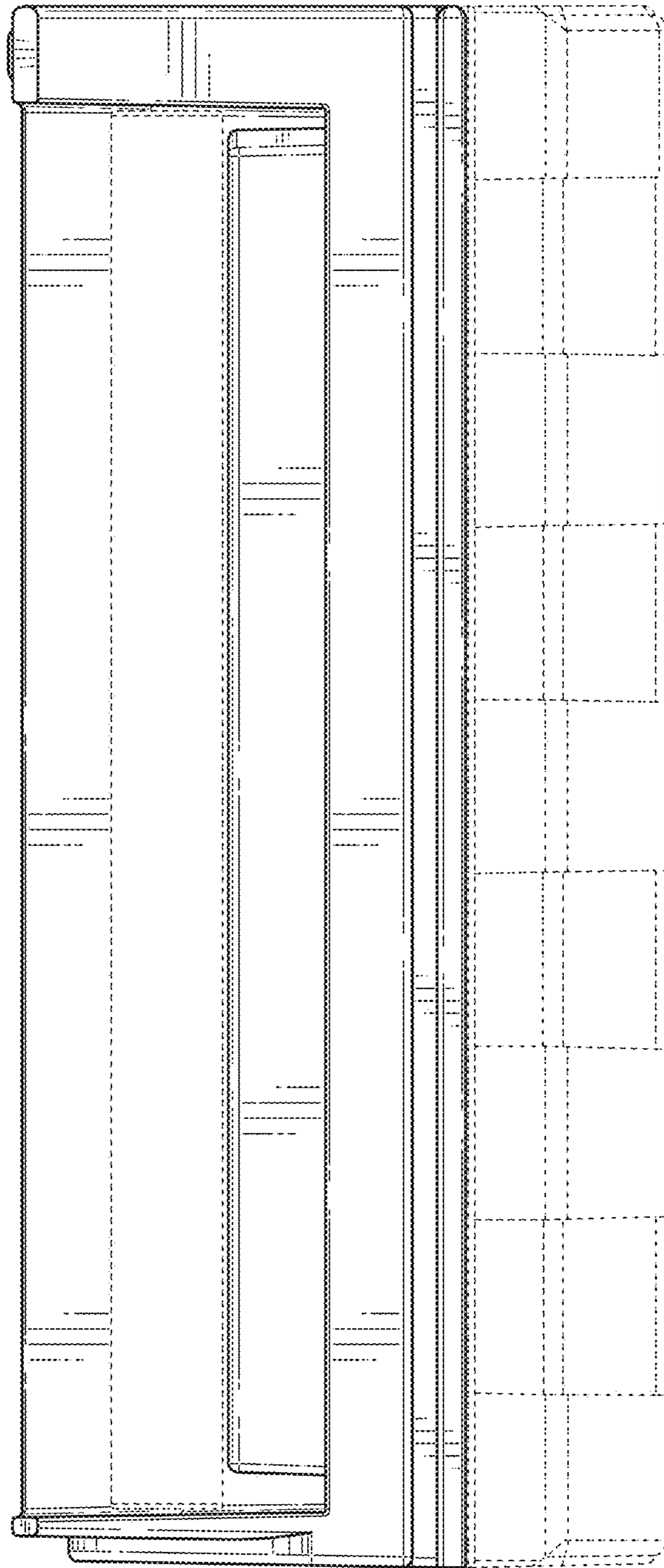


FIG. 8

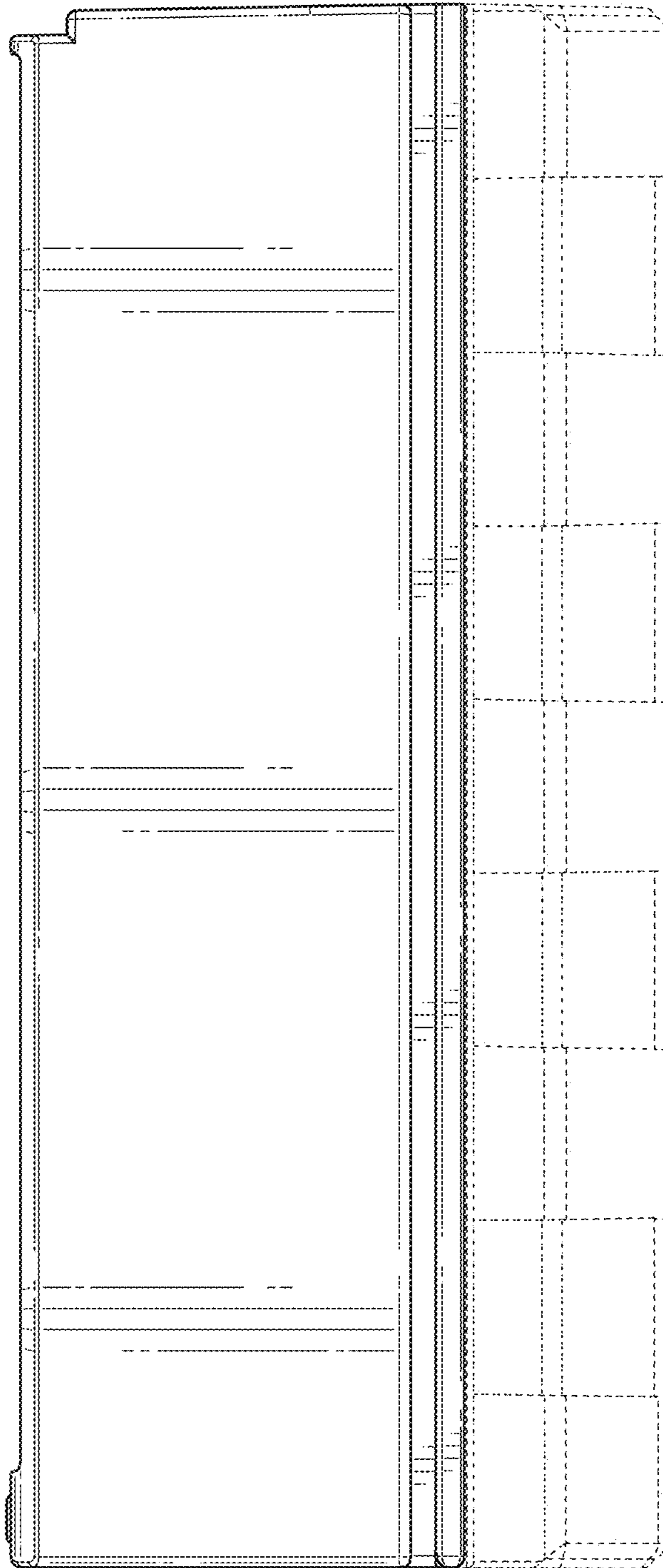


FIG. 9

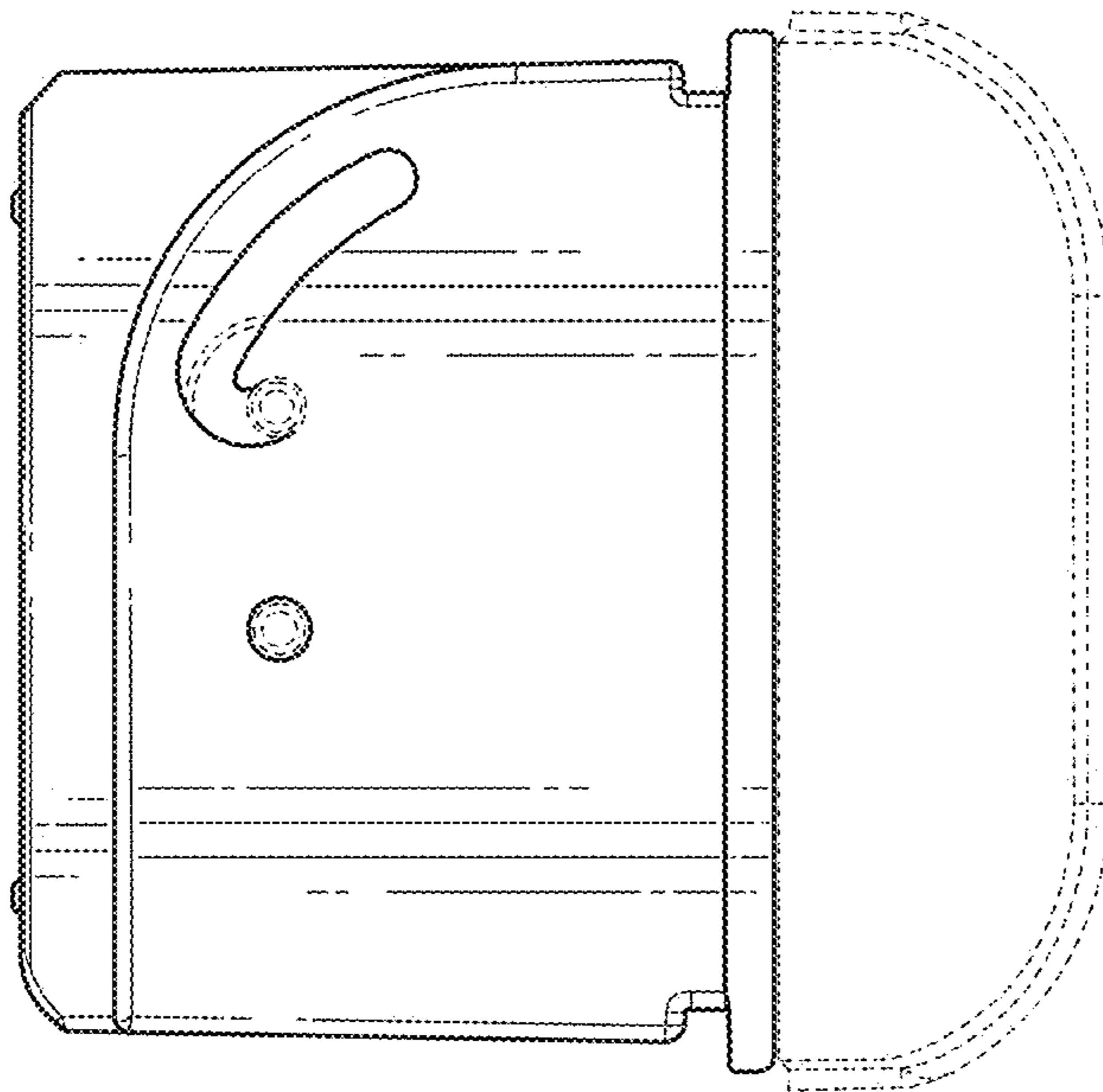


FIG. 10

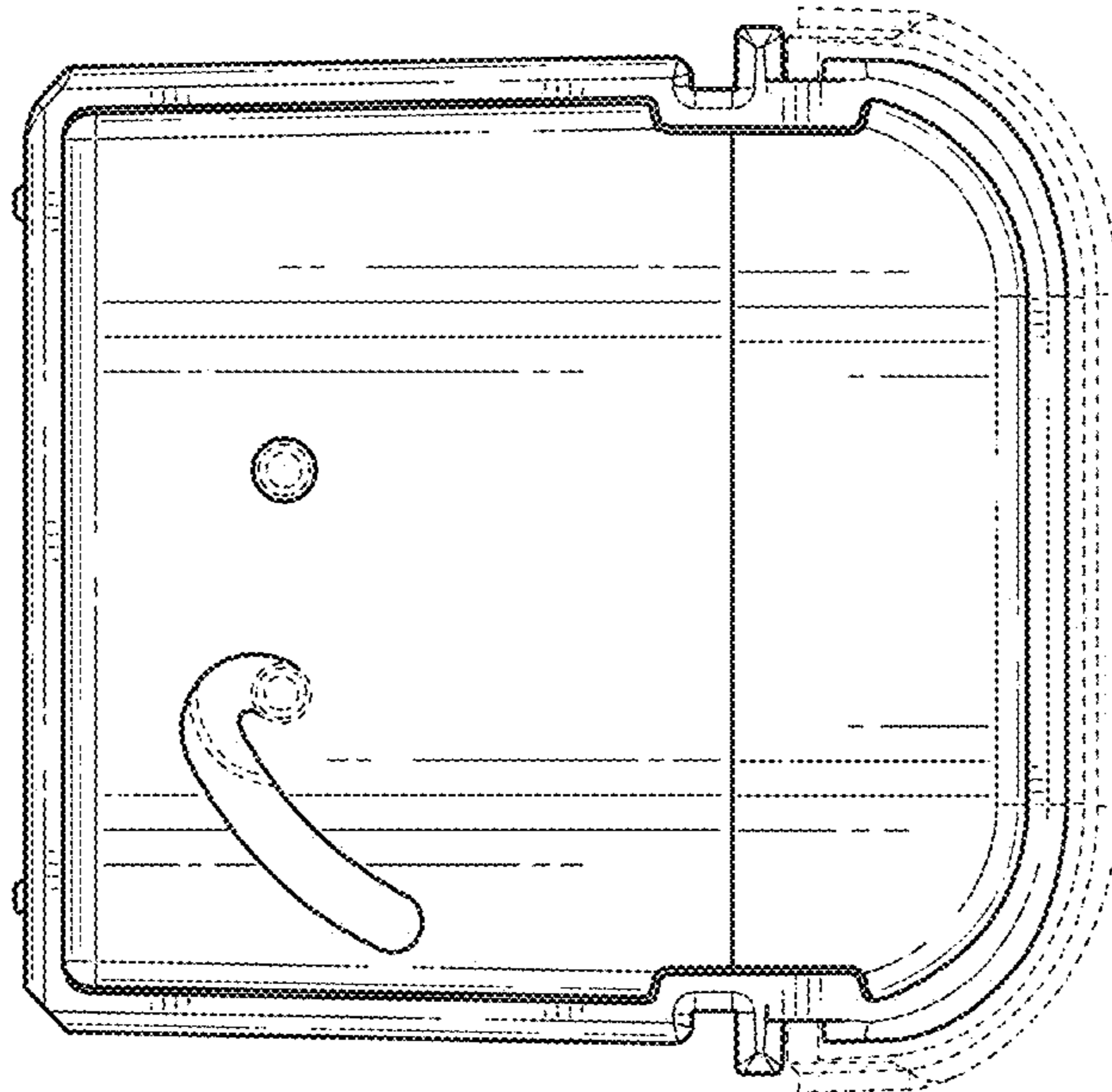


FIG. 11

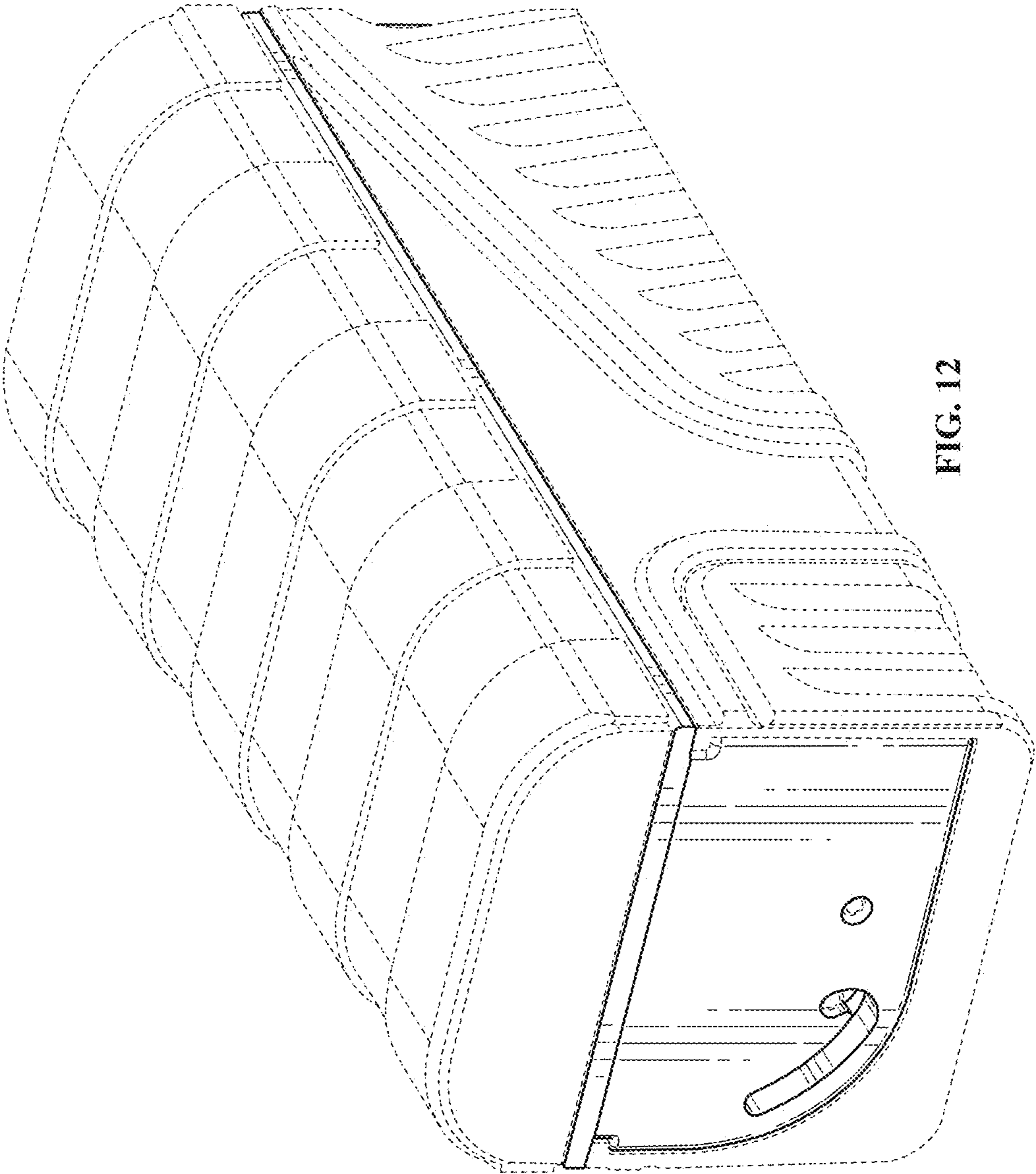


FIG. 12

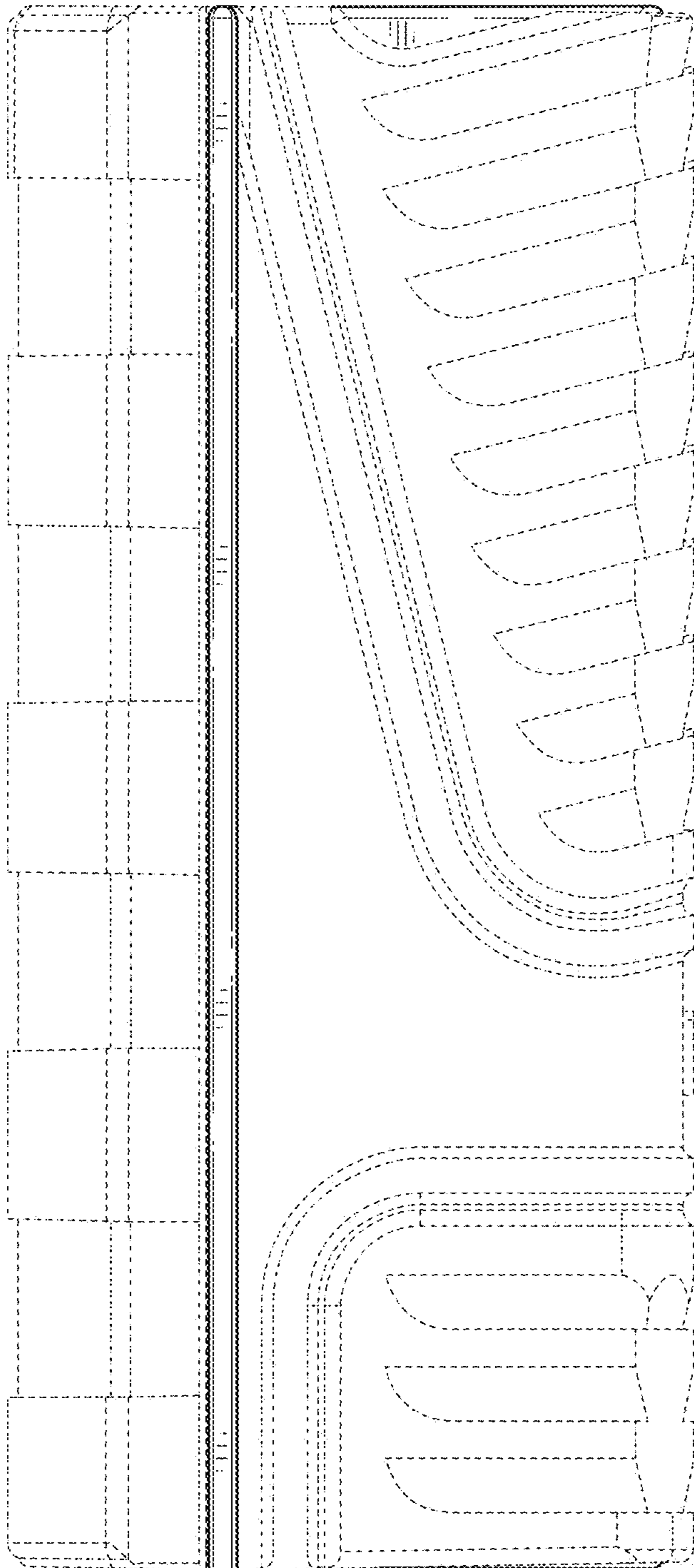


FIG. 13

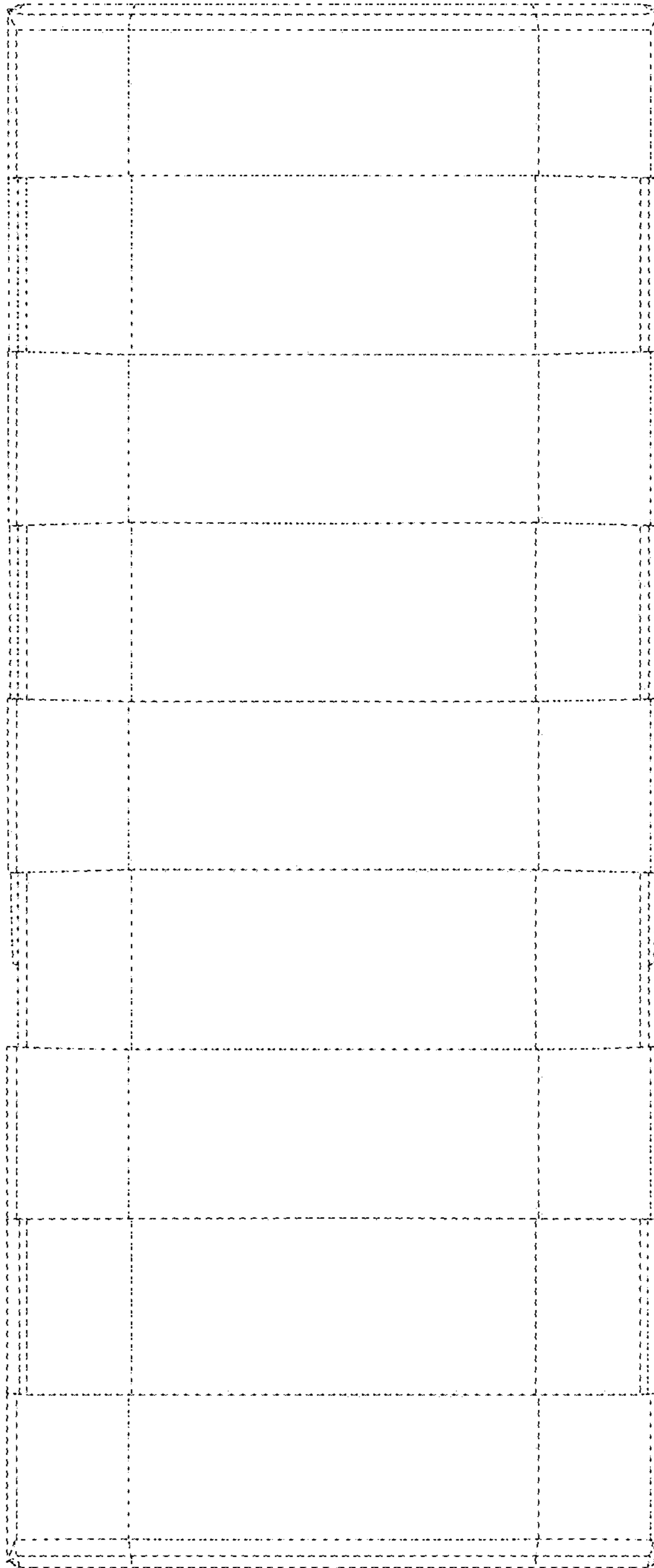


FIG. 14



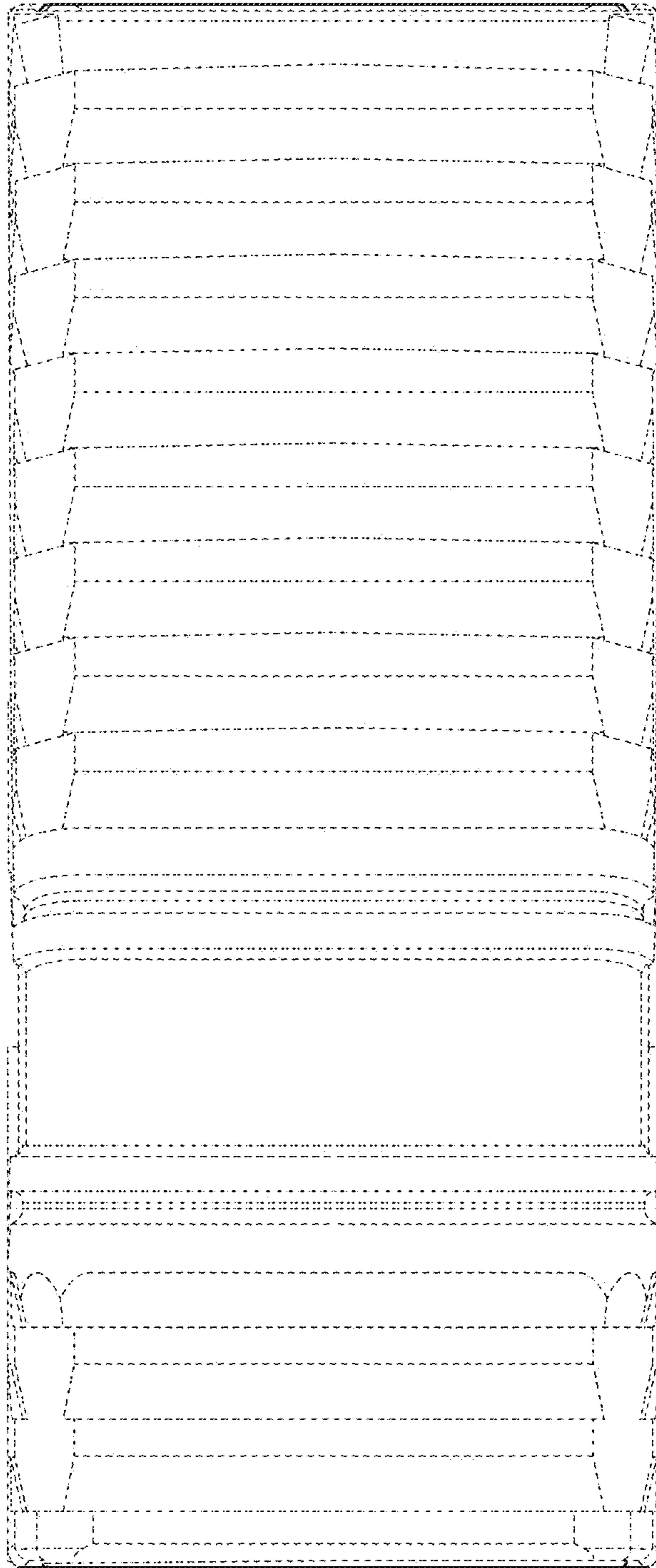


FIG. 15

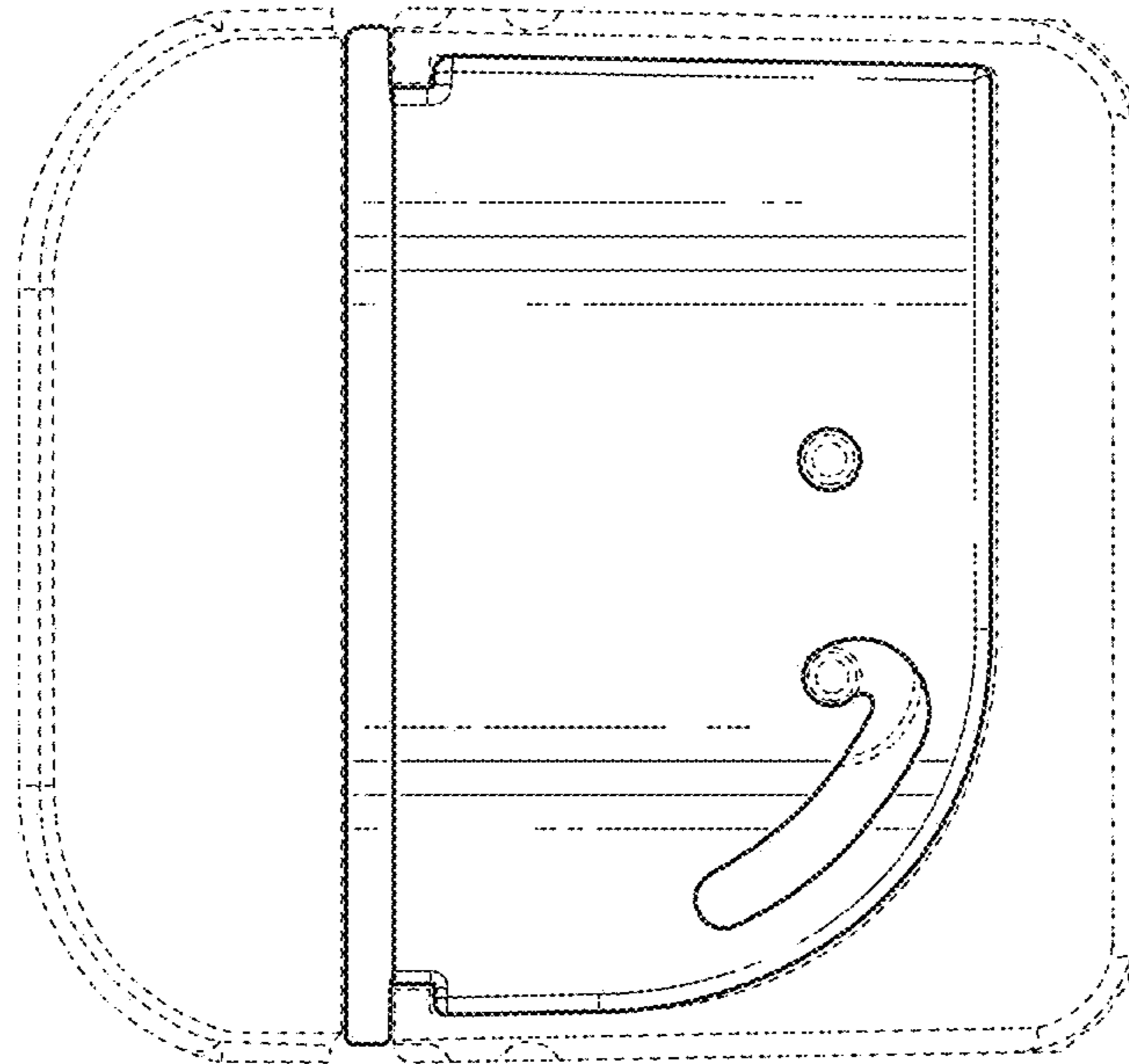


FIG. 16

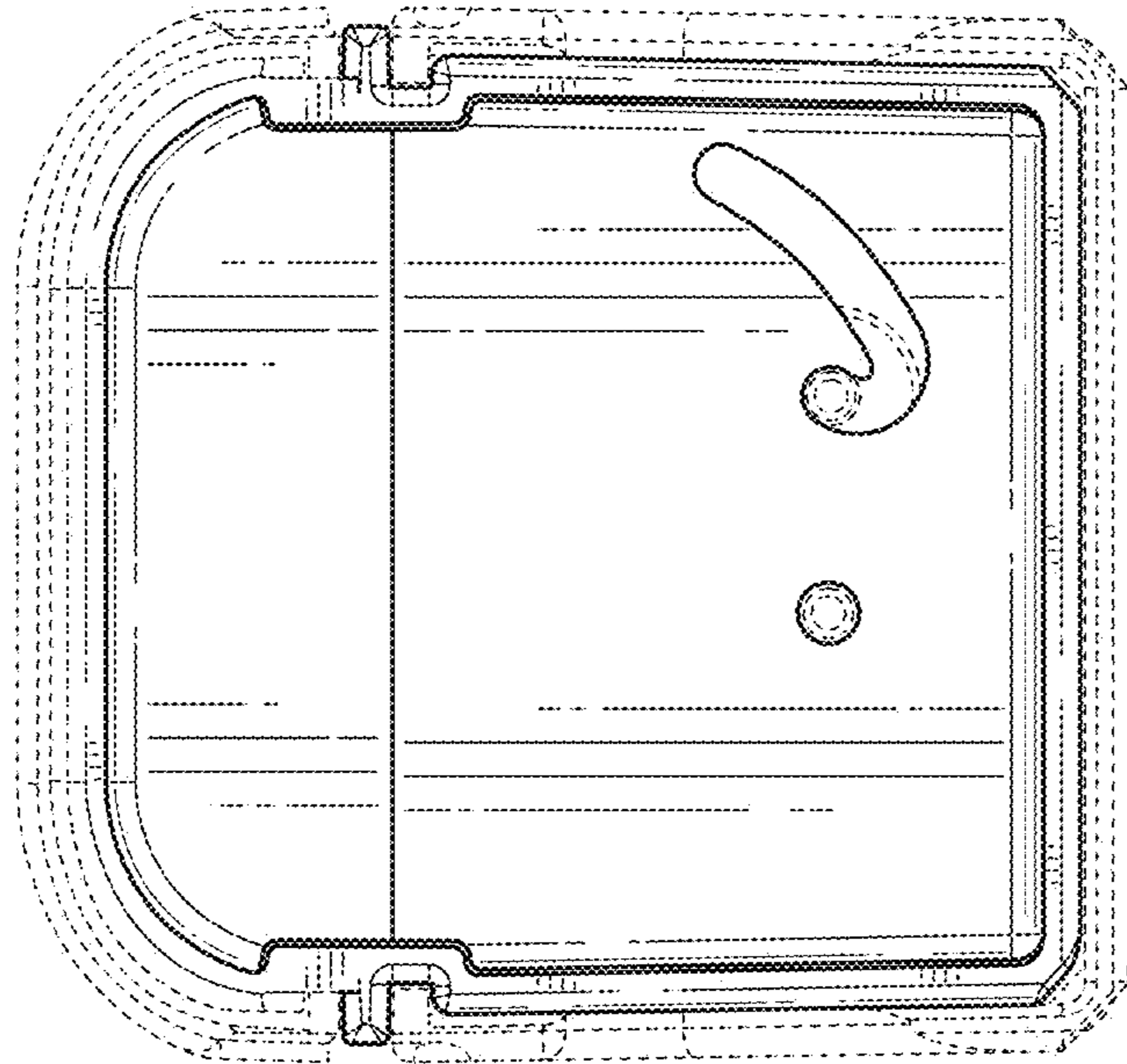


FIG. 17