



US00D964641S

(12) **United States Design Patent** (10) **Patent No.:** **US D964,641 S**
Han (45) **Date of Patent:** **** *Sep. 20, 2022**

- (54) **SMOKING DEVICE**
- (71) Applicant: **Jeffrey Han**, Los Altos Hills, CA (US)
- (72) Inventor: **Jeffrey Han**, Los Altos Hills, CA (US)
- (73) Assignee: **Tyger Manufacturing LLC**, San Mateo, CA (US)
- (*) Notice: This patent is subject to a terminal disclaimer.
- (**) Term: **15 Years**
- (21) Appl. No.: **29/755,679**
- (22) Filed: **Oct. 22, 2020**

D639,414 S *	6/2011	Berndt	D23/366
D742,065 S *	10/2015	Leidel	D27/167
D752,807 S *	3/2016	Young	D27/163
D810,263 S *	2/2018	Lu	D23/366
D855,882 S *	8/2019	Flood	D27/194
D872,357 S *	1/2020	Hoch	D27/194
D873,399 S *	1/2020	Nykowski	D23/364
D898,024 S *	10/2020	Lai	D14/371
D910,823 S *	2/2021	Zou	D23/356
D925,119 S *	7/2021	Kim	D27/194
2014/0158129 A1 *	6/2014	Pratt, Jr.	A61M 11/02 128/203.26
2021/0337861 A1 *	11/2021	Han	A24F 5/10

- Related U.S. Application Data**
- (63) Continuation-in-part of application No. 29/744,566, filed on Jul. 30, 2020.
 - (51) **LOC (13) Cl.** **27-02**
 - (52) **U.S. Cl.**
USPC **D27/162**
 - (58) **Field of Classification Search**
USPC D27/100, 103, 162-165, 167, 169, 172,
D27/180, 183, 194; D23/356, 364, 366;
D24/110, 110.5
CPC A24F 47/00; A24F 47/002; A24F 1/30;
A24F 1/00; A24F 1/10; A24F 1/06; A24F
1/08; A61M 15/06; A24D 3/17; A24D
3/18; A24D 3/00
See application file for complete search history.

- (56) **References Cited**
U.S. PATENT DOCUMENTS
D279,216 S * 6/1985 Mango D23/362
D443,350 S * 6/2001 Delmenico D23/360
D621,495 S * 8/2010 Li D23/366

OTHER PUBLICATIONS

grass city.com; UFO Pipe; <https://www.grasscity.com/ufo-pipe.html>; US; date of publication unknown.

(Continued)

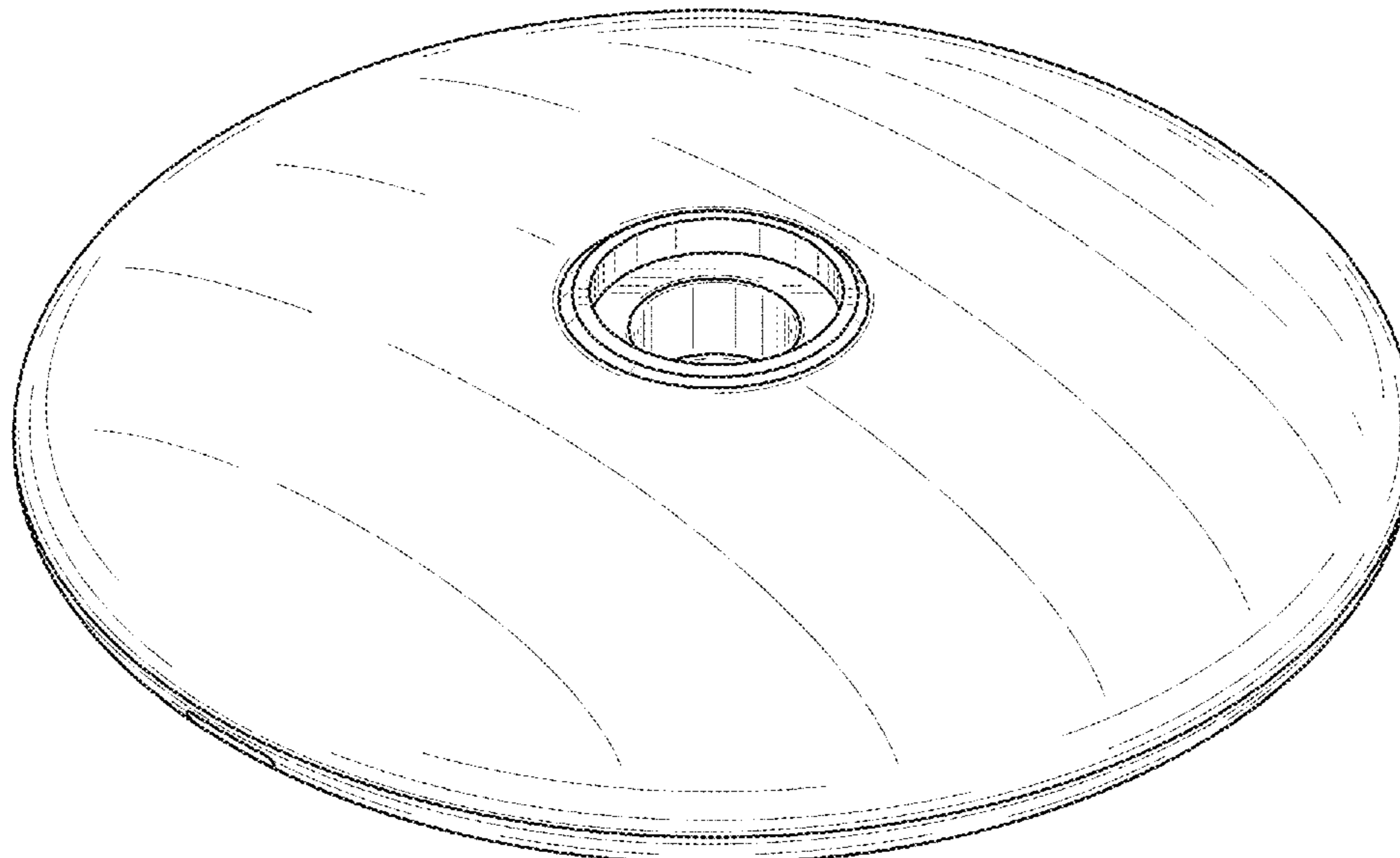
Primary Examiner — Rebecca Tsehaye
(74) *Attorney, Agent, or Firm* — Steven N. Fox, Esq.

(57) **CLAIM**
The ornamental design for a smoking device, as shown and described.

DESCRIPTION

FIG. 1 is a top perspective view of a smoking device according to the present invention;
FIG. 2 is a bottom perspective view of the smoking device according to the present invention;
FIG. 3 is a top plan view thereof;
FIG. 4 is a bottom plan view thereof;
FIG. 5 is a front view thereof;
FIG. 6 is a rear view thereof;
FIG. 7 is a left side view thereof; and,
FIG. 8 is a right side view thereof.
Portions of the smoking device shown in broken lines form no part of the claimed design.

1 Claim, 6 Drawing Sheets



(56)

References Cited

OTHER PUBLICATIONS

David Lee; UFO Pipe; <https://www.ulule.com/ufopipe/>; US; date of publication unknown.

Diode; UFO Pipe; <https://www.thingiverse.com/thing:664606>; US; Feb. 3, 2015.

WILLYBANJOLTD; Raswell UFO Art Hand Pipe; <https://www.ebay.co.uk/itm/The-Raswell-UFO-art-hand-pipe-Top-Quality-anodized-aluminium-stainless-steel-/202885778268>; UK; Date of publication unknown.

Smoke Journey LLC; Keo Disc Pipe; <https://smokejourney.com>; US; Date of Publication Unknown.

* cited by examiner

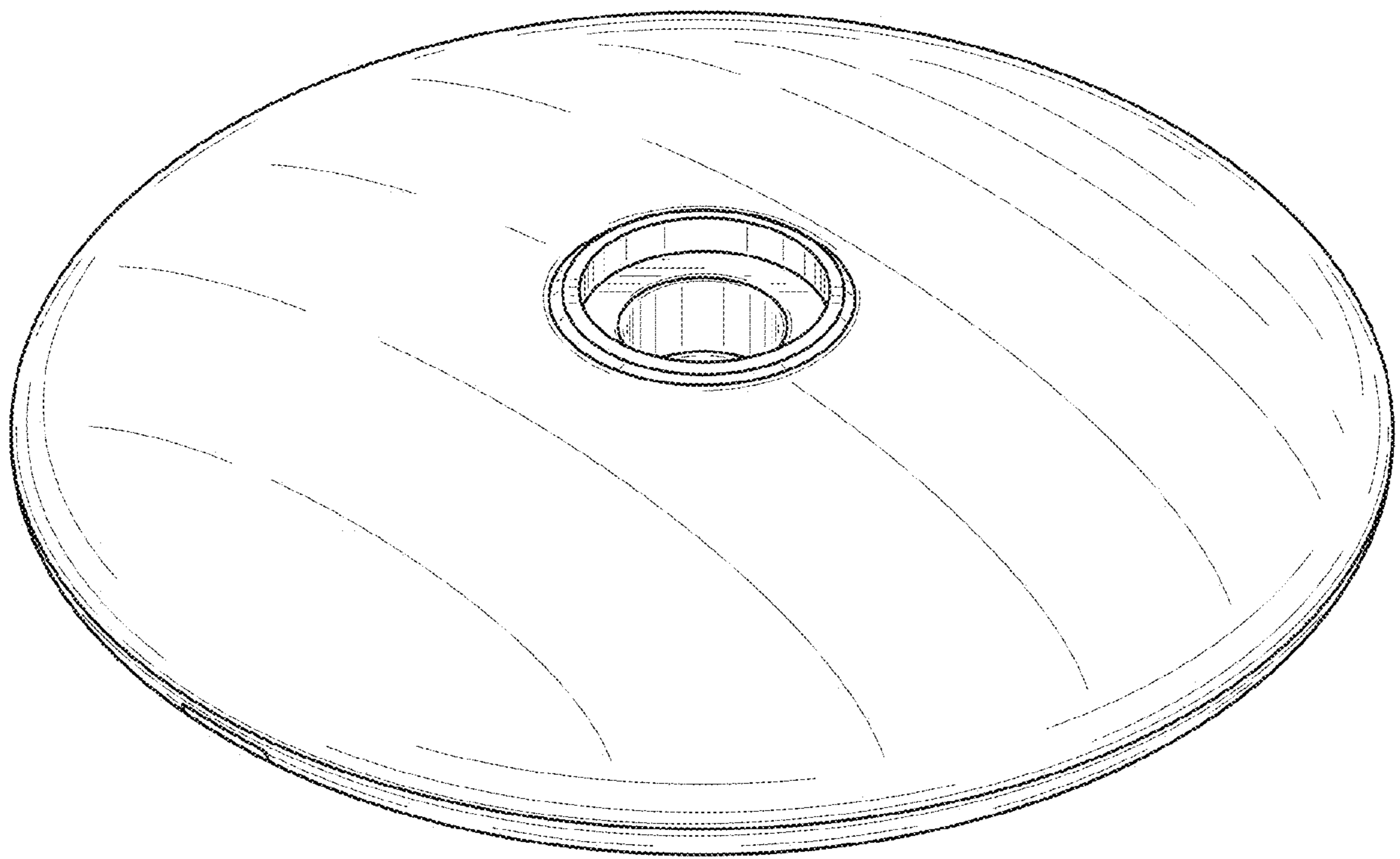


FIG. 1

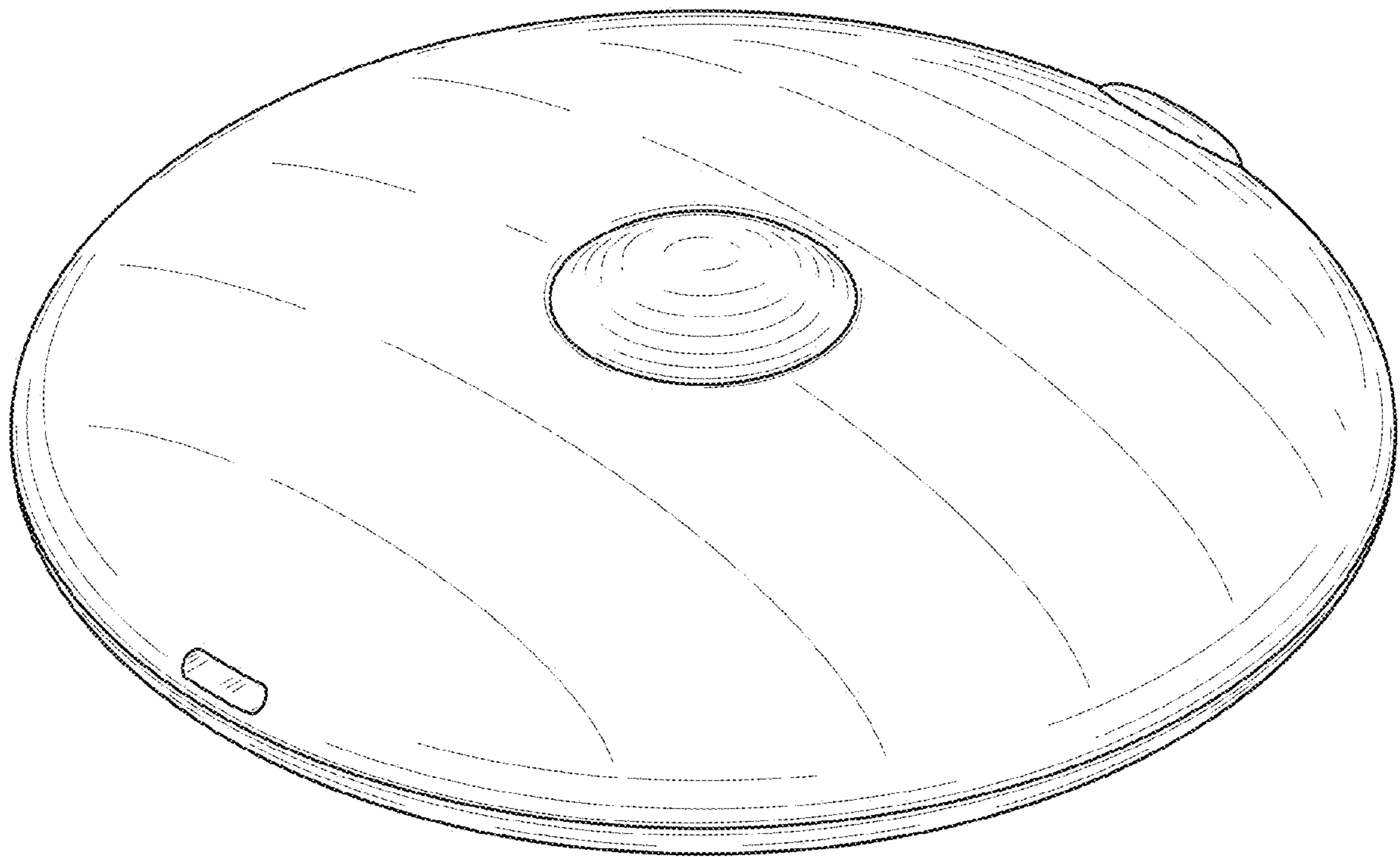


FIG. 2

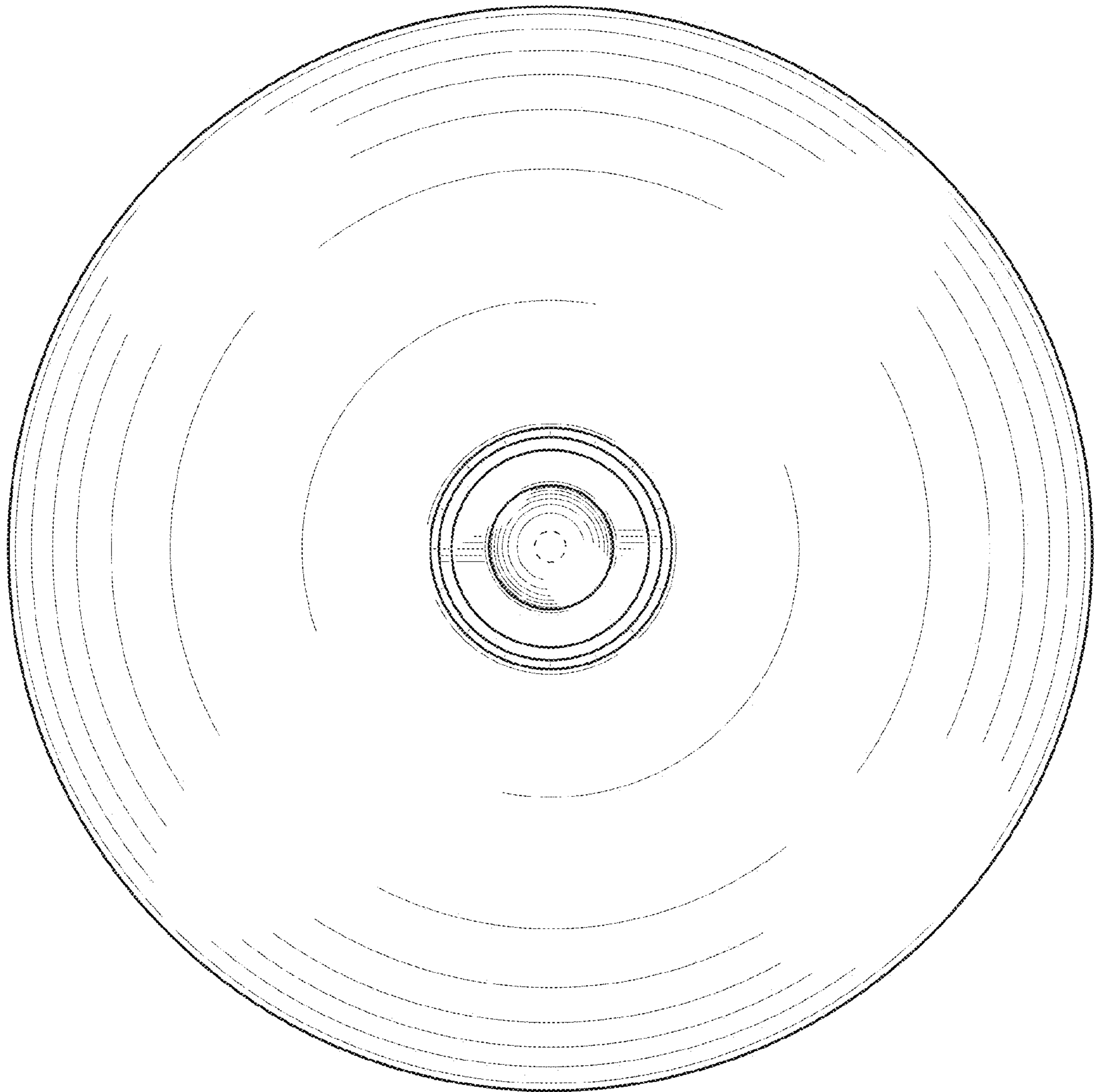


FIG. 3

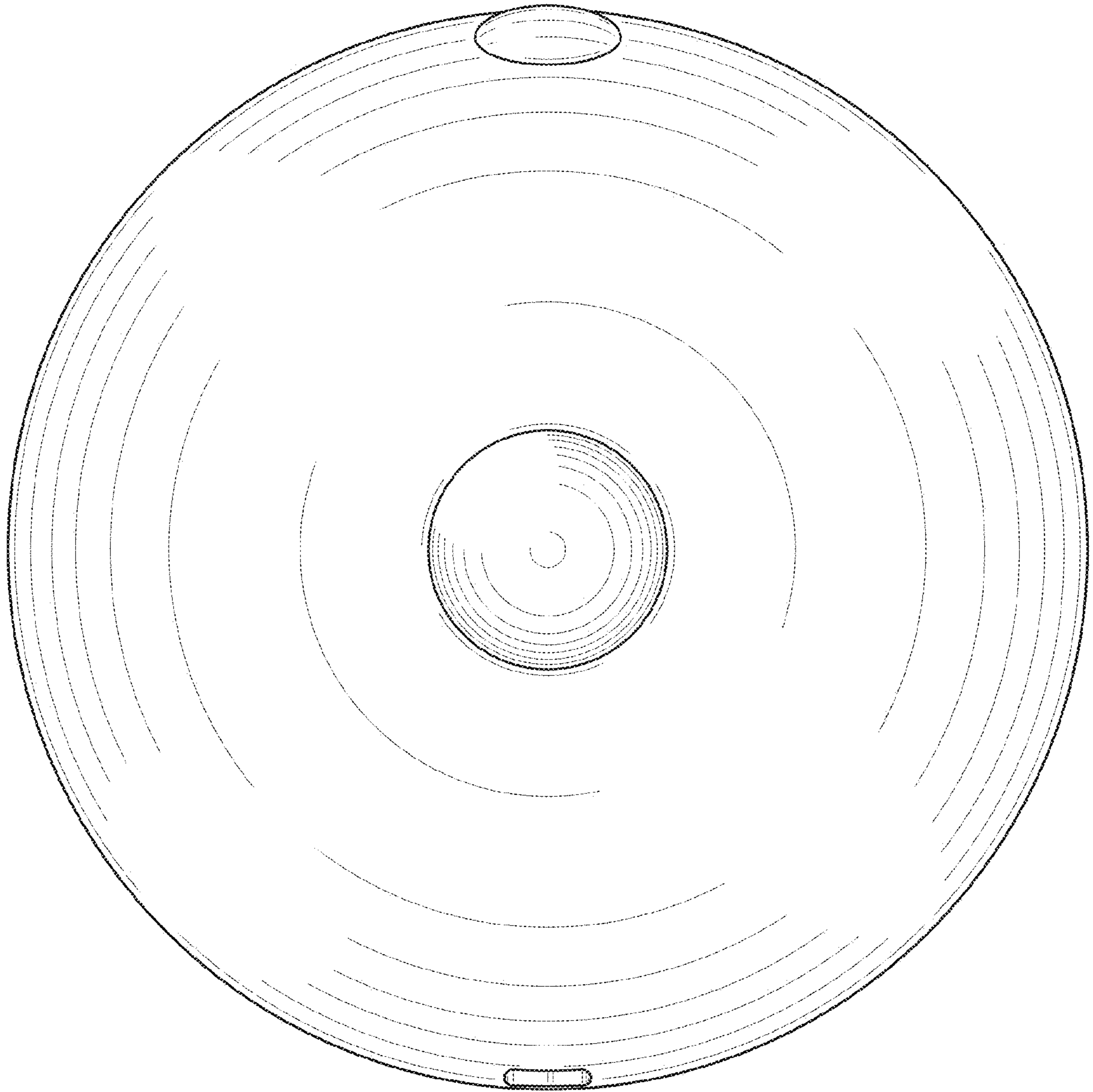


FIG. 4

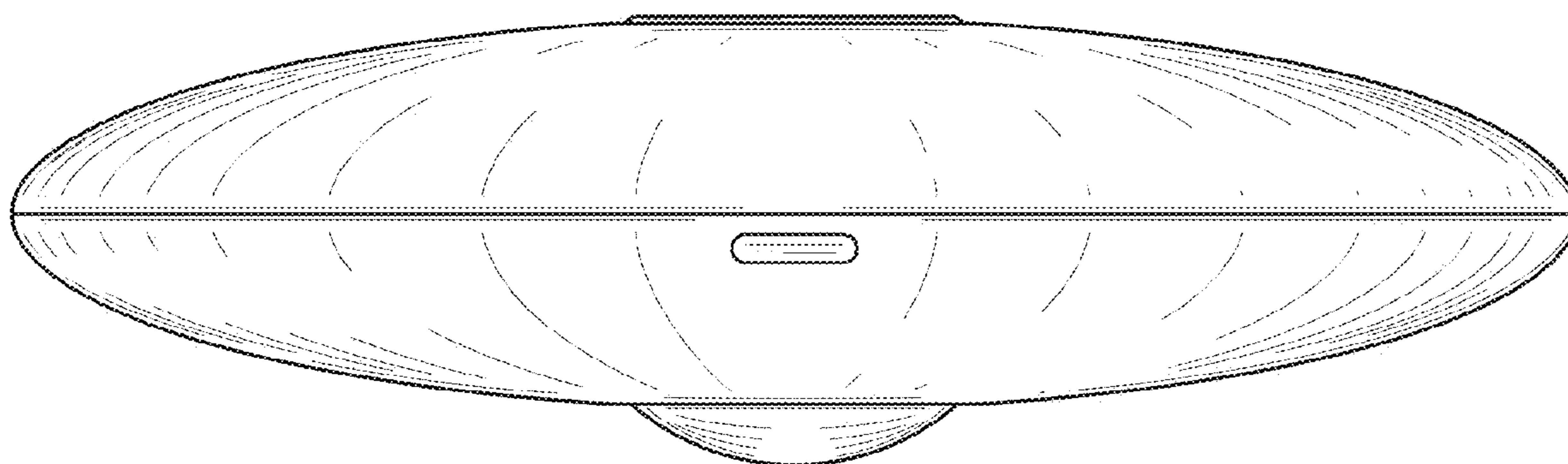


FIG. 5

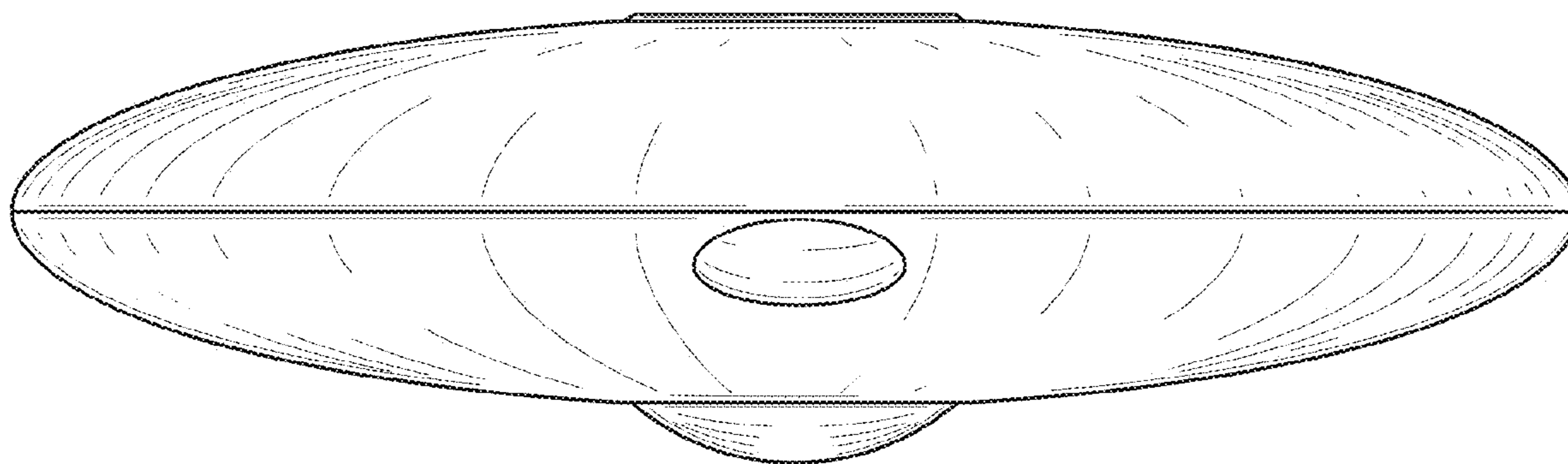


FIG. 6

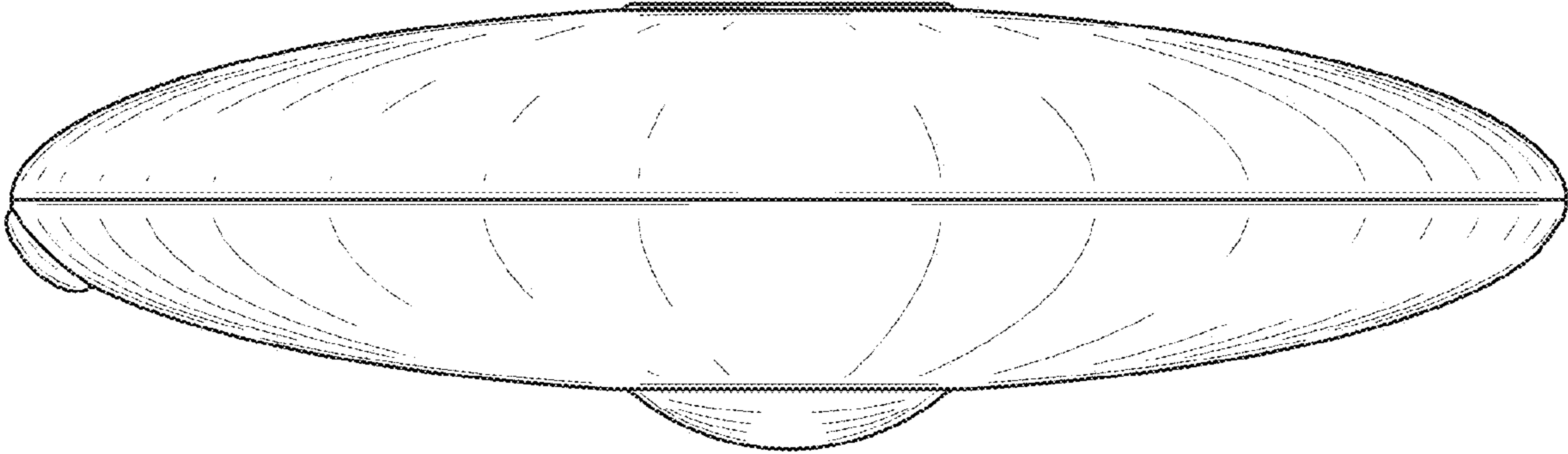


FIG. 7

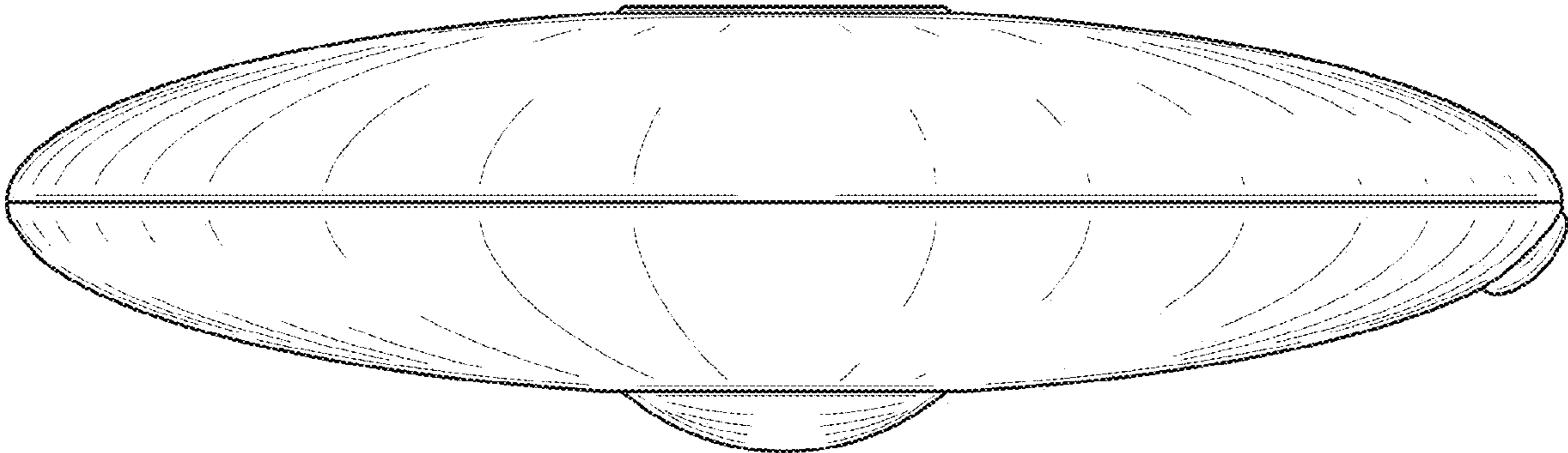


FIG. 8