



US00D964636S

(12) **United States Design Patent**
Zheng et al.

(10) **Patent No.:** **US D964,636 S**

(45) **Date of Patent:** **** Sep. 20, 2022**

- (54) **MUSIC AURORA LIGHT**
- (71) Applicant: **Shenzhen Bolong Technology Co. Ltd.**, Shenzhen (CN)
- (72) Inventors: **Huazhu Zheng**, Shenzhen (CN);
Caijian Zheng, Shenzhen (CN);
Wenzhen Ouyang, Shenzhen (CN)
- (**) Term: **15 Years**
- (21) Appl. No.: **29/794,690**
- (22) Filed: **Jun. 15, 2021**
- (51) **LOC (13) Cl.** **26-05**
- (52) **U.S. Cl.**
USPC **D26/110**
- (58) **Field of Classification Search**
USPC D26/1, 24, 26, 93, 94, 110
CPC F21L 2/00; F21L 4/00; F21L 4/02; F21L 4/025; F21L 4/027; F21L 14/00; F21S 2/00; F21S 8/03; F21S 8/033; F21S 8/035; F21S 6/00; F21S 6/002; F21S 6/004; F21S 8/036; F21S 8/037; F21S 9/00; F21S 9/02; F21V 21/10; F21V 21/108; F21W 2121/008
See application file for complete search history.

D919,160 S 5/2021 Muuto
D927,043 S * 8/2021 Tian D26/93
D927,751 S * 8/2021 Zheng D26/94
D927,767 S * 8/2021 Zheng D26/110
(Continued)

FOREIGN PATENT DOCUMENTS

GB 6142390 * 6/2021

OTHER PUBLICATIONS

Amazon, "Star Projector Night Light KOSPET", first available Jul. 22, 2020. (<https://www.amazon.com/Proyector-proyector-temporizador-iluminaci%C3%B3n-dormitorio/dp/B08DFPVW7D>) (Year: 2020).*
(Continued)

Primary Examiner — Lauren D McVey
Assistant Examiner — Justin A Johnson

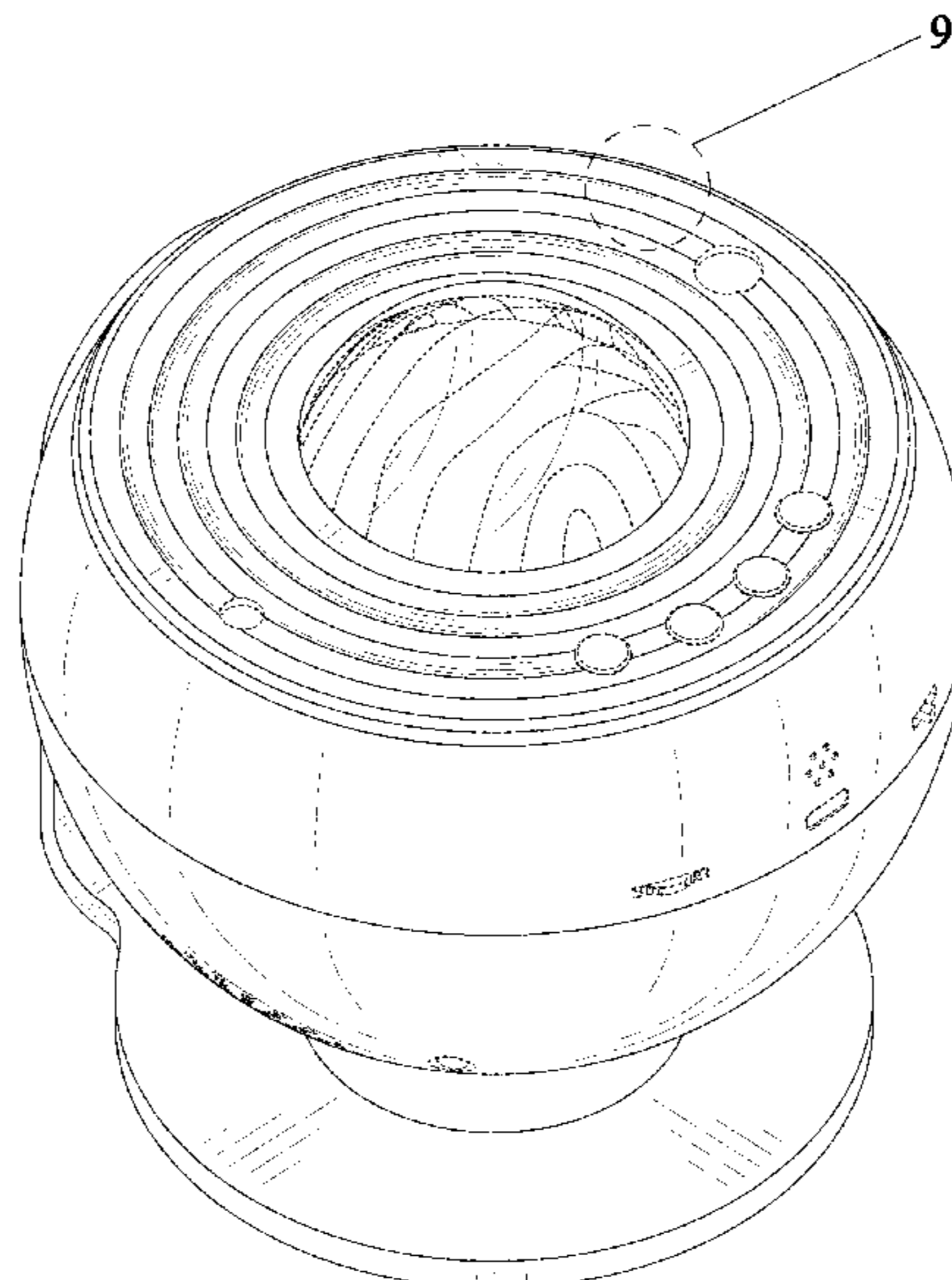
(57) **CLAIM**

The ornamental design for a music aurora light, as shown and described.

DESCRIPTION

FIG. 1 is a first perspective view of a music aurora light showing my new design;
FIG. 2 is a second perspective view thereof;
FIG. 3 is a front view thereof;
FIG. 4 is a back view thereof;
FIG. 5 is a left side view thereof;
FIG. 6 is a right side view thereof;
FIG. 7 is a top view thereof;
FIG. 8 is a bottom view thereof; and,
FIG. 9 is an enlarged view of the selected portion in FIG. 1.
The short-dash broken lines immediately adjacent to the shaded areas depict the bounds of the claimed design, while all other broken lines are directed to environment. In addition, the long-dash broken lines illustrate enlarged portions of the design. None of the broken lines form part of the claimed design.

1 Claim, 9 Drawing Sheets



(56)

References Cited

U.S. PATENT DOCUMENTS

D930,222 S * 9/2021 Song D26/106
D945,052 S * 3/2022 Huang D26/112
2021/0364142 A1* 11/2021 Zheng F21V 23/04

OTHER PUBLICATIONS

Amazon, "Aurora Projector", first available May 18, 2021. (<https://www.amazon.com/Projector-Northern-Bluetooth-Speaker-Ceiling/dp/B0957CXL7B?th=1>) (Year: 2021).*

Amazon, "KISTRA Galaxy Projector", first available Feb. 25, 2022. (<https://www.amazon.com/dp/B09TF3MMVY/?th=1>) (Year: 2022).*

Amazon, "Wente Galaxy Projector", first available Mar. 18, 2022. (<https://www.amazon.com/dp/B09XHK8FFH/?th=1>) (Year: 2022).*

* cited by examiner

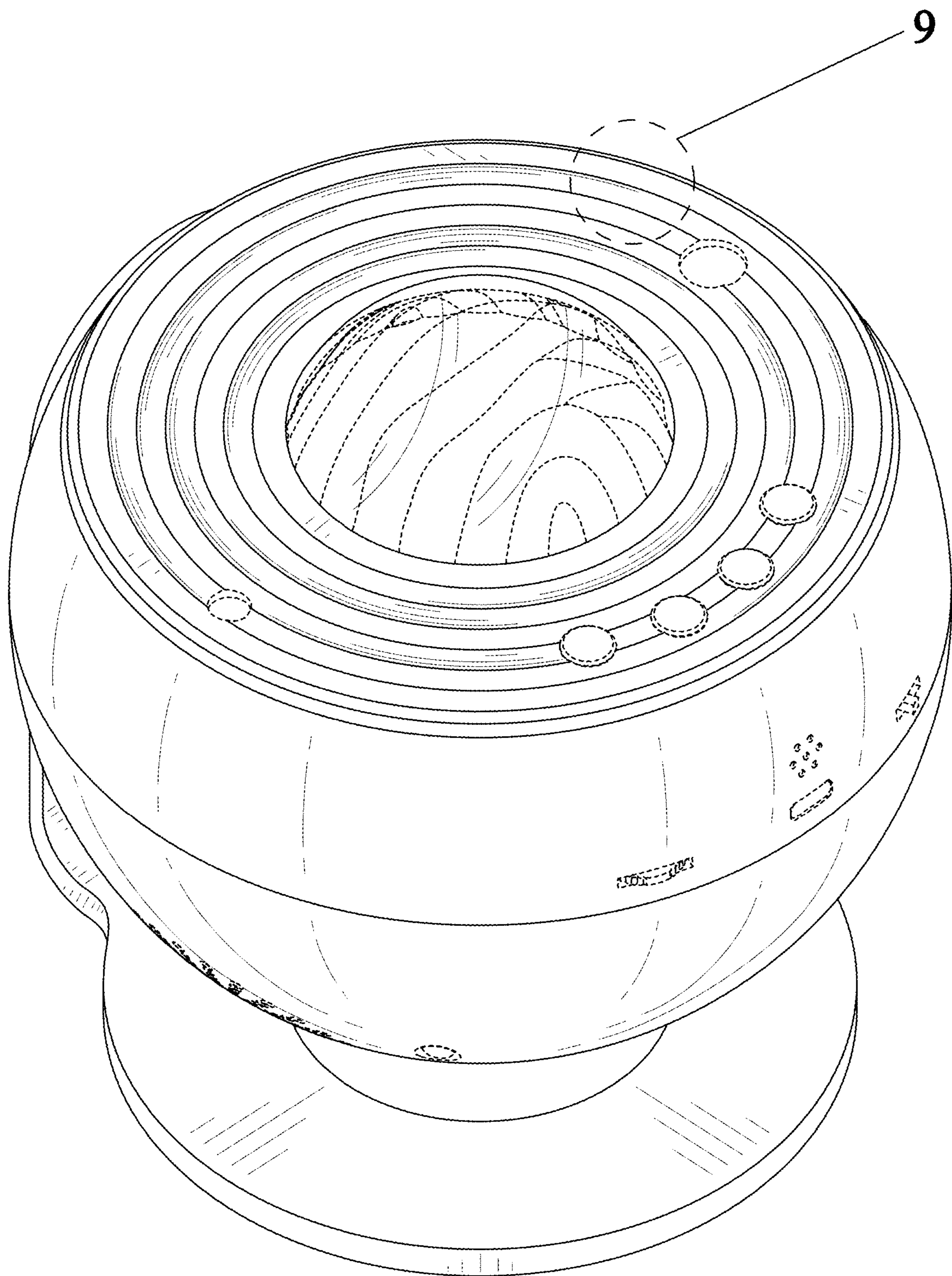


FIG. 1

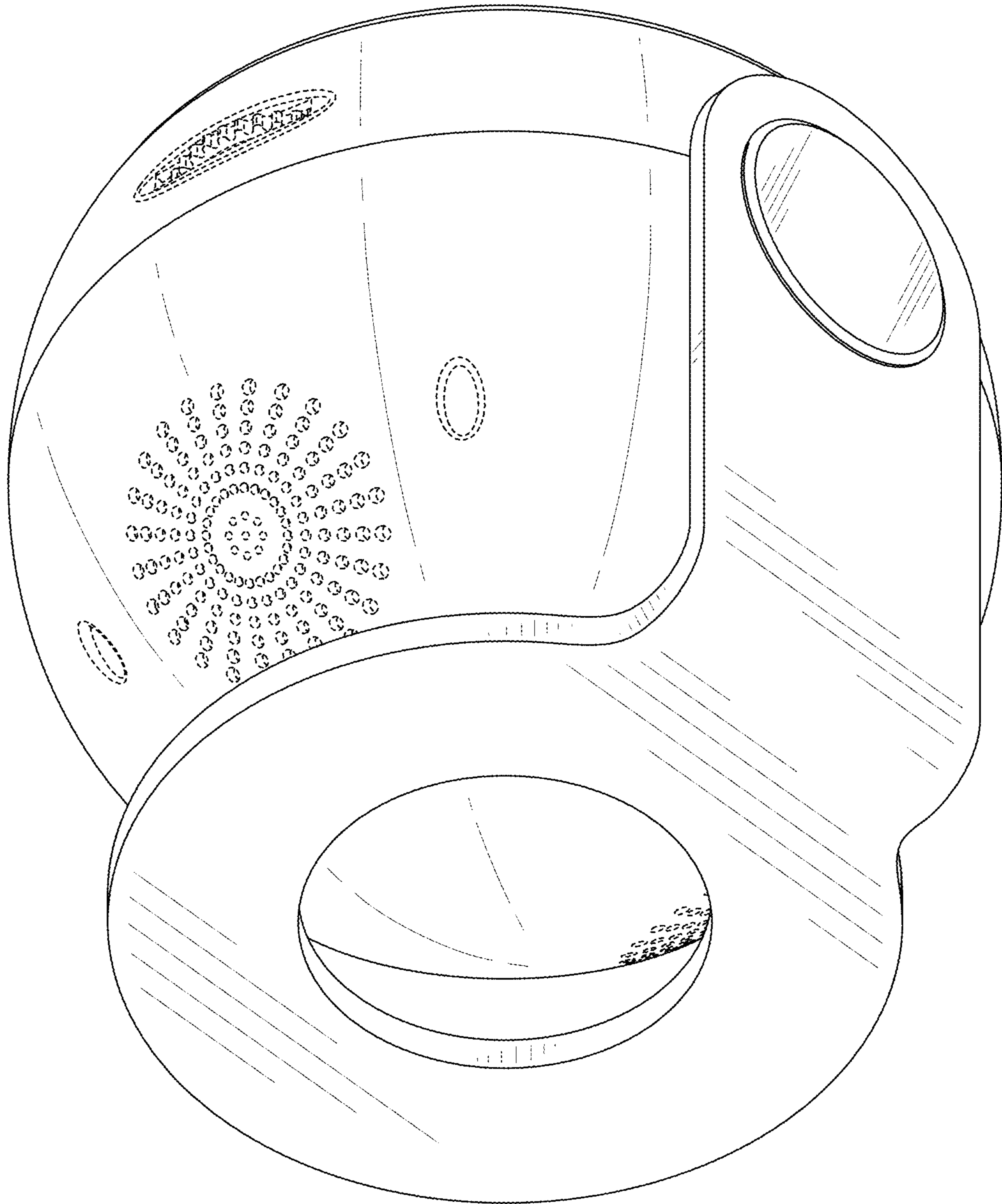


FIG. 2

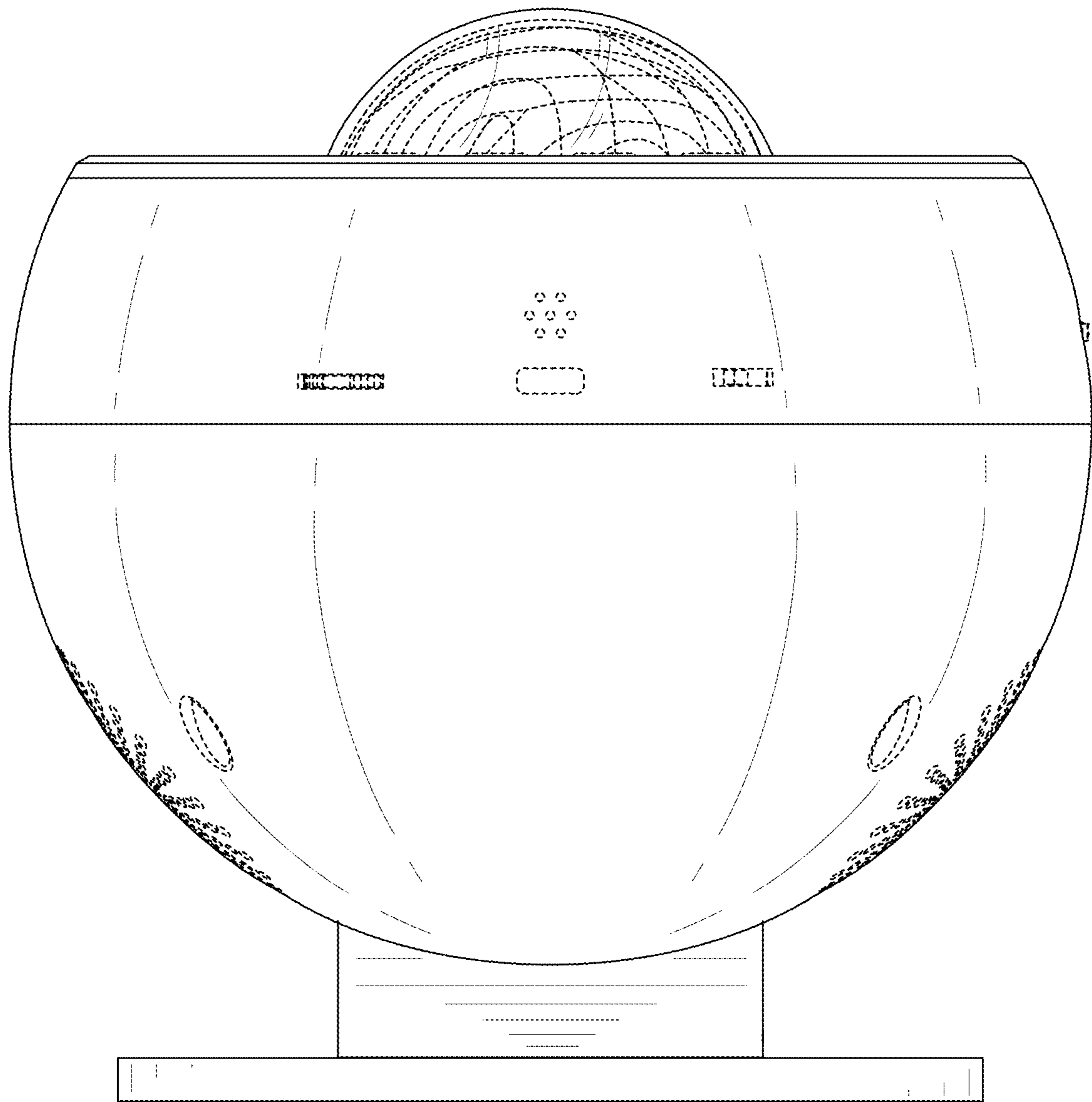


FIG. 3

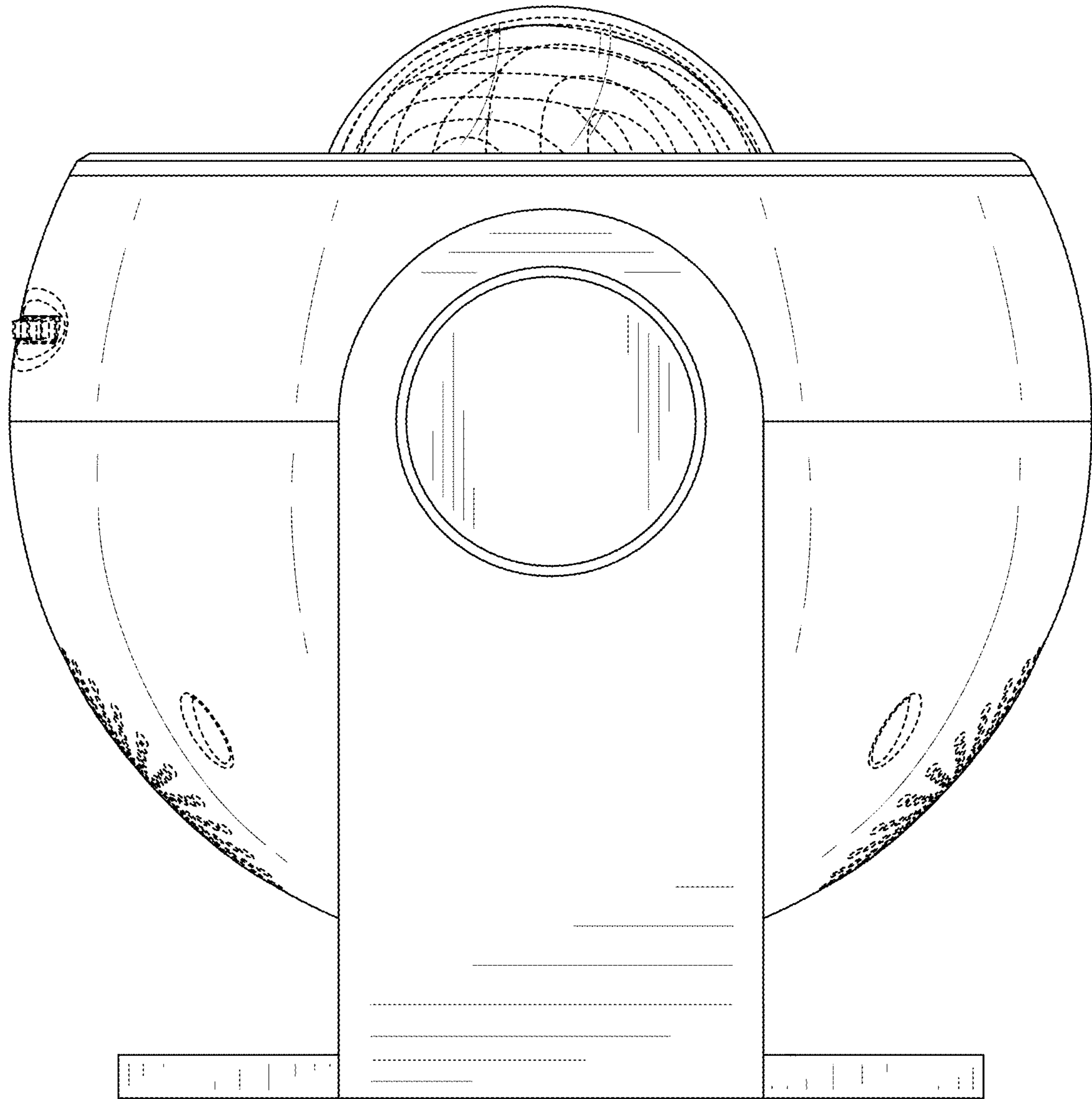


FIG. 4

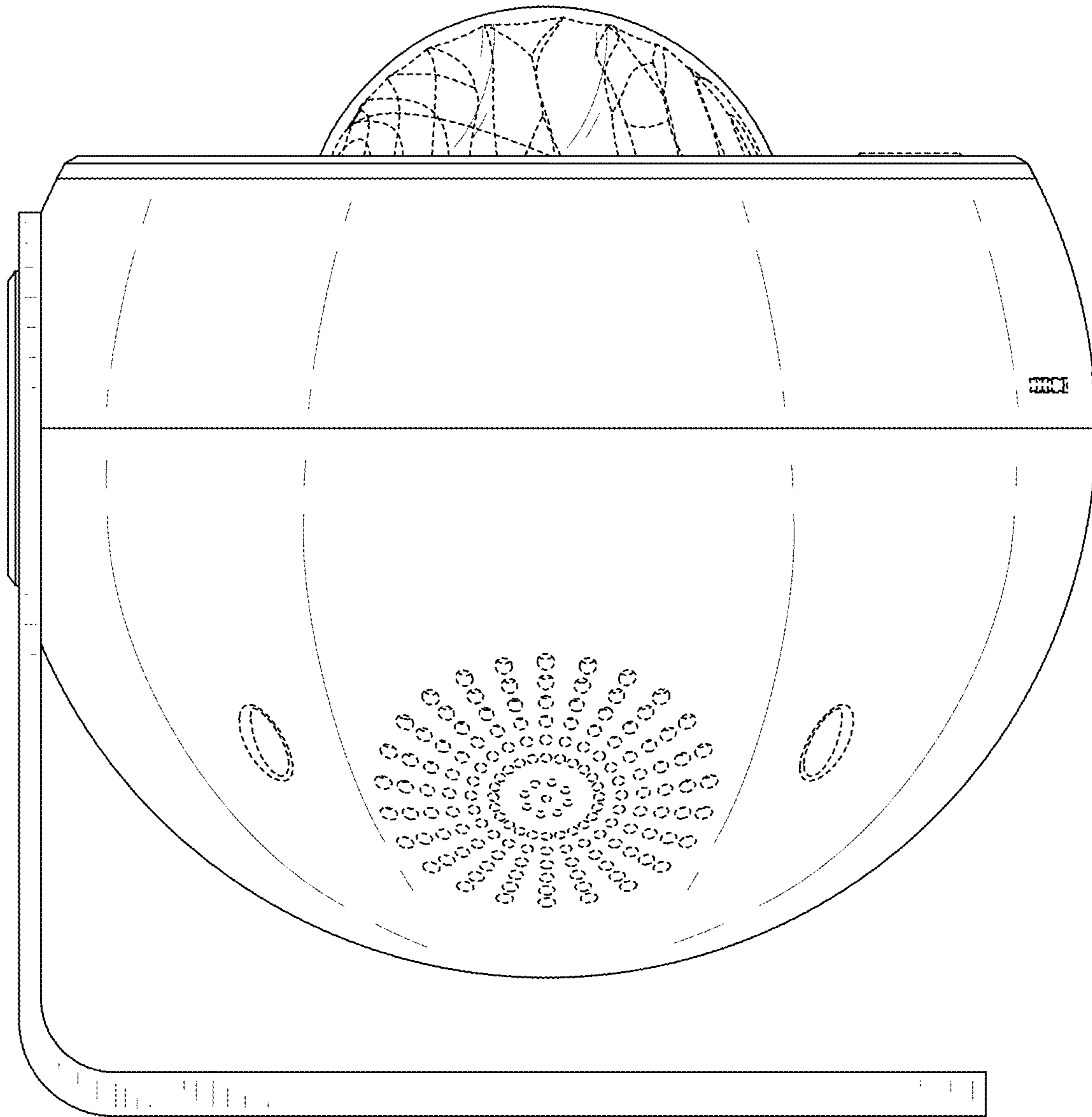


FIG. 5

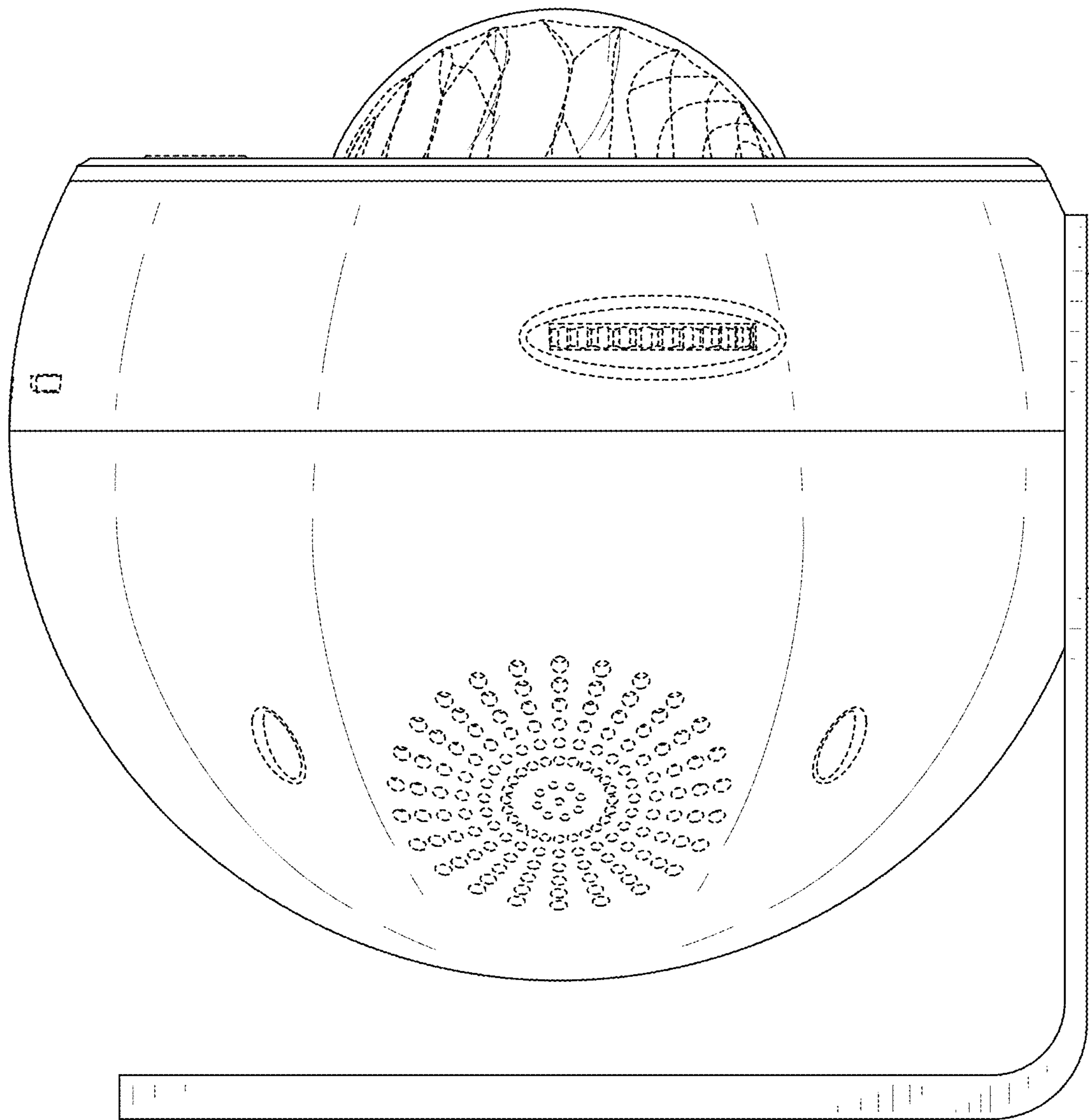


FIG. 6

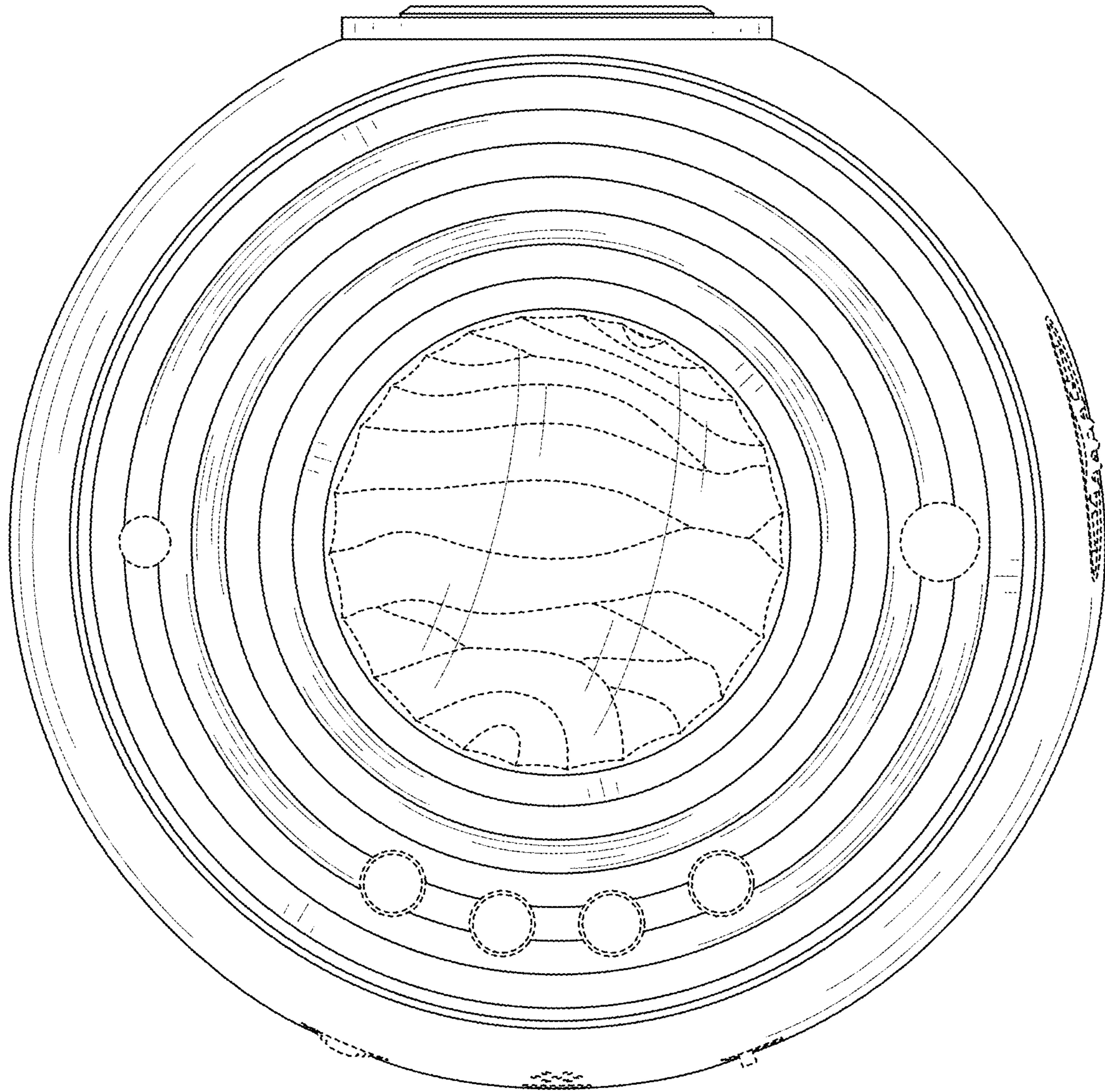


FIG. 7

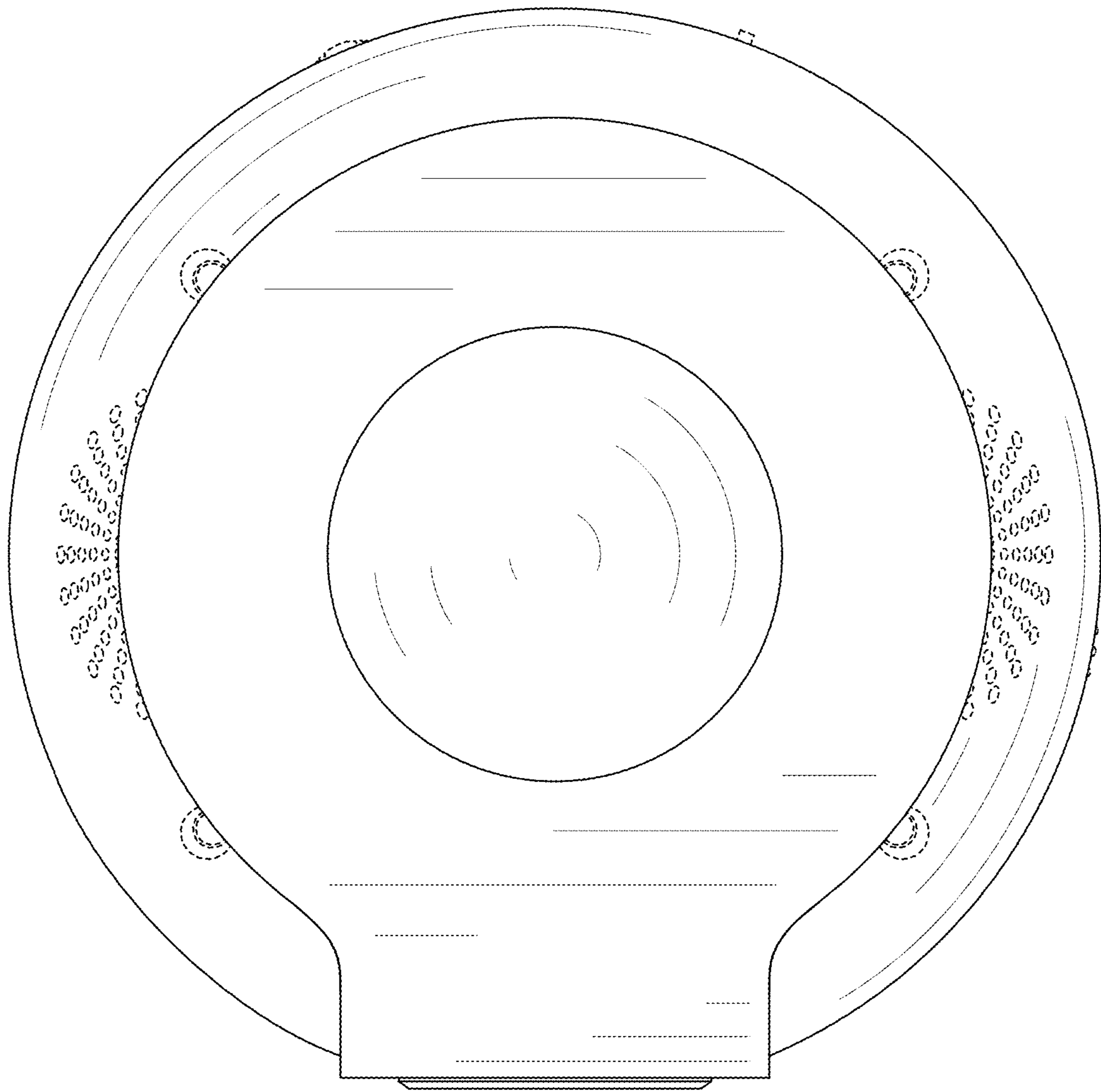


FIG. 8

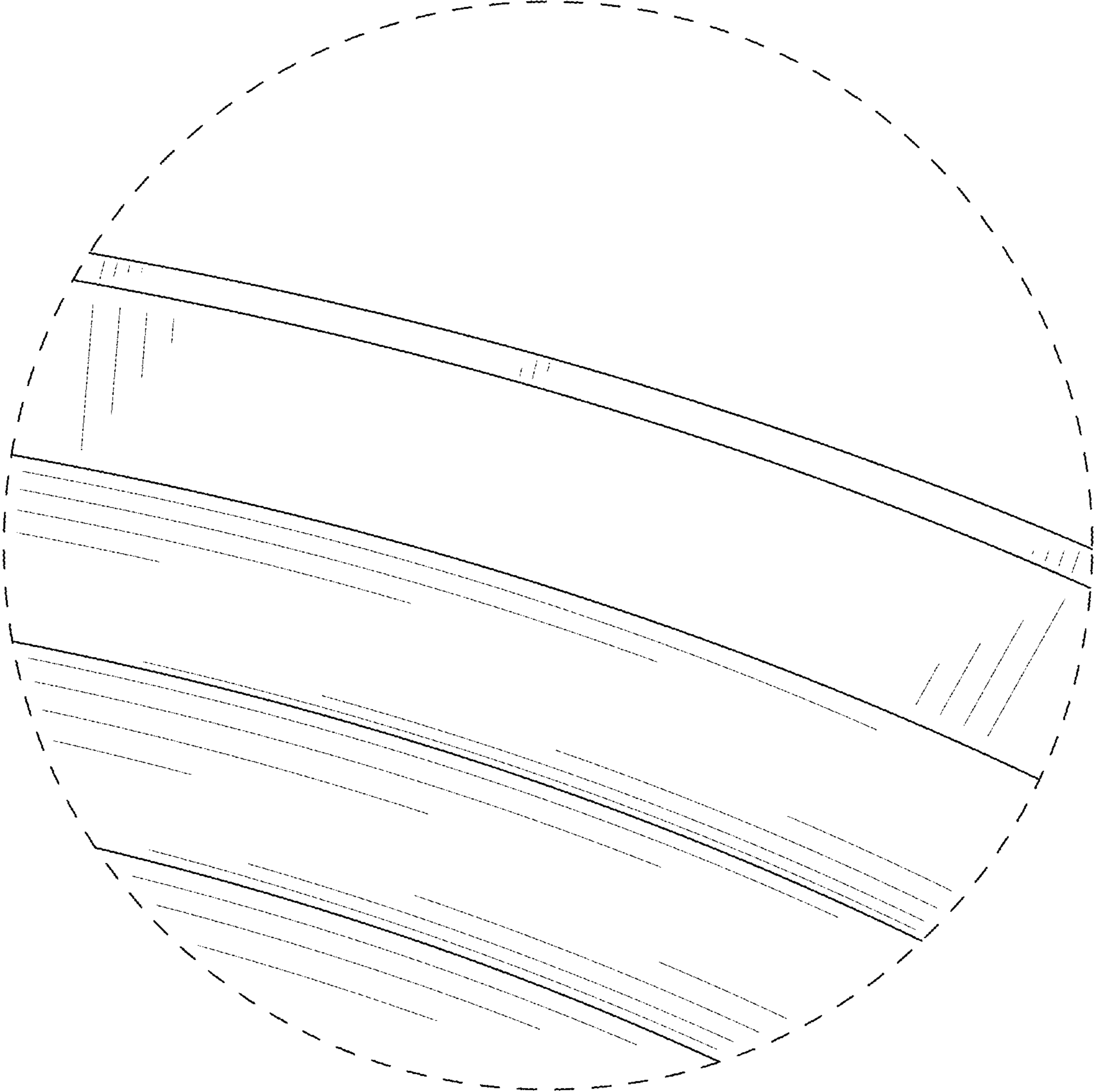


FIG. 9