

US00D964632S

(12) **United States Design Patent**  
**Lin et al.**

(10) **Patent No.:** **US D964,632 S**  
(45) **Date of Patent:** **\*\* Sep. 20, 2022**

(54) **SMART LED FLOOR LAMP**  
(71) Applicant: **JM Zengge Co., Ltd.**, Guangdong (CN)  
(72) Inventors: **Fuzhou Lin**, Guangdong (CN);  
**Chuangda Nie**, Guangdong (CN);  
**Mingchang Zhou**, Guangdong (CN)  
(73) Assignee: **JM Zengge Co., Ltd.**, Jiangmen (CN)  
(\*\*) Term: **15 Years**

D757,987 S *	5/2016	Lee .....	D26/102
D780,982 S *	3/2017	Starck .....	D26/110
D788,972 S *	6/2017	Araiza .....	D26/112
D805,677 S *	12/2017	Starck .....	D26/110
D876,705 S *	2/2020	Tang .....	D26/107
D876,706 S *	2/2020	Tang .....	D26/107
D876,707 S *	2/2020	Tang .....	D26/110
D876,708 S *	2/2020	Tang .....	D26/110
D905,321 S *	12/2020	Tang .....	D26/110
D937,470 S *	11/2021	Van Duysen .....	D26/107
D938,094 S *	12/2021	Wang .....	D26/106
D943,138 S *	2/2022	Wang .....	D26/106
D948,104 S *	4/2022	Gu .....	D26/107

(Continued)

(21) Appl. No.: **29/756,481**  
(22) Filed: **Oct. 29, 2020**  
(30) **Foreign Application Priority Data**  
Sep. 3, 2020 (CN) ..... 202030516178.8  
(51) **LOC (13) Cl.** ..... **26-05**  
(52) **U.S. Cl.**  
USPC ..... **D26/93**  
(58) **Field of Classification Search**  
USPC .... D26/24, 61, 62, 66, 76, 85, 93, 102, 105,  
D26/106, 107, 108, 118  
CPC .. F21S 6/002; F21S 6/003; F21S 6/004; F21S  
6/005; F21S 6/006; F21S 6/007; F21S  
8/00; F21S 8/032; F21S 10/00; F21S  
10/02; F21S 10/06; F21S 10/007; F21W  
2131/30; F21W 2131/301; F21V 21/00;  
F21V 21/02; F21V 21/06  
See application file for complete search history.

*Primary Examiner* — Wan Laymon  
*Assistant Examiner* — Clint A Samuel

(57) **CLAIM**

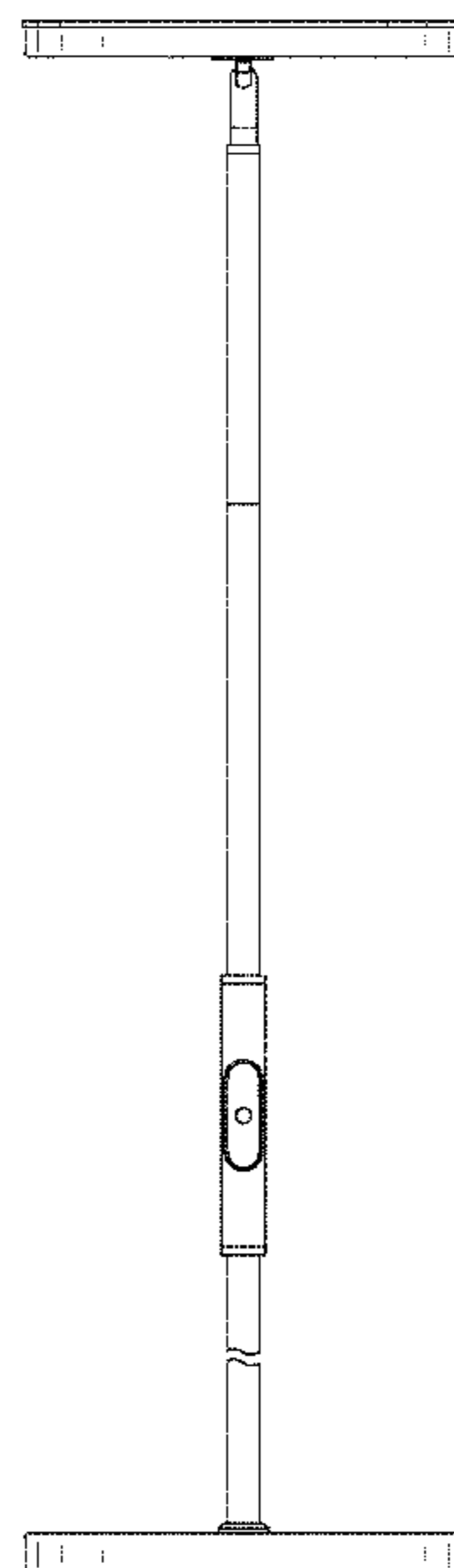
The ornamental design for a smart LED floor lamp, as shown and described.

**DESCRIPTION**

FIG. 1 is a front elevational view of a smart LED floor lamp showing our new design;  
FIG. 2 is a rear elevational view thereof;  
FIG. 3 is a left side view thereof;  
FIG. 4 is a right side view thereof;  
FIG. 5 is a top plan view thereof;  
FIG. 6 is a bottom plan view thereof;  
FIG. 7 is a rear, top and right side perspective view thereof;  
FIG. 8 is a front, bottom and left side perspective view thereof; and,  
FIG. 9 is an enlarged view of portion 9 in FIG. 8.  
The broken lines in the drawings illustrate portions of the smart LED floor lamp which form no part of the claimed design.  
The smart LED floor lamp is shown with a symbolic break in its length. The appearance of any portion of the article between the break lines forms no part of the claimed design.

(56) **References Cited**  
U.S. PATENT DOCUMENTS  
D368,548 S \* 4/1996 Lee ..... D26/93  
D469,563 S \* 1/2003 Irvine ..... D26/108  
D580,090 S \* 11/2008 Kubler ..... D26/105

**1 Claim, 8 Drawing Sheets**



(56)

**References Cited**

U.S. PATENT DOCUMENTS

2007/0159834 A1\* 7/2007 Chen ..... H05B 39/085  
362/410  
2010/0053951 A1\* 3/2010 Hsieh ..... F21S 6/007  
362/235

\* cited by examiner

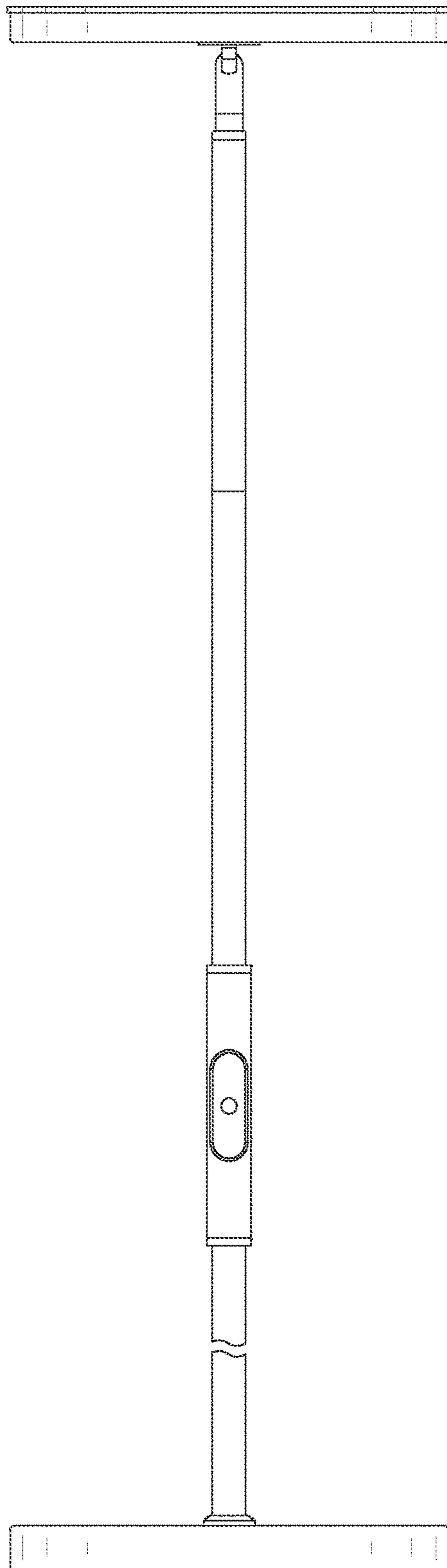


FIG.1

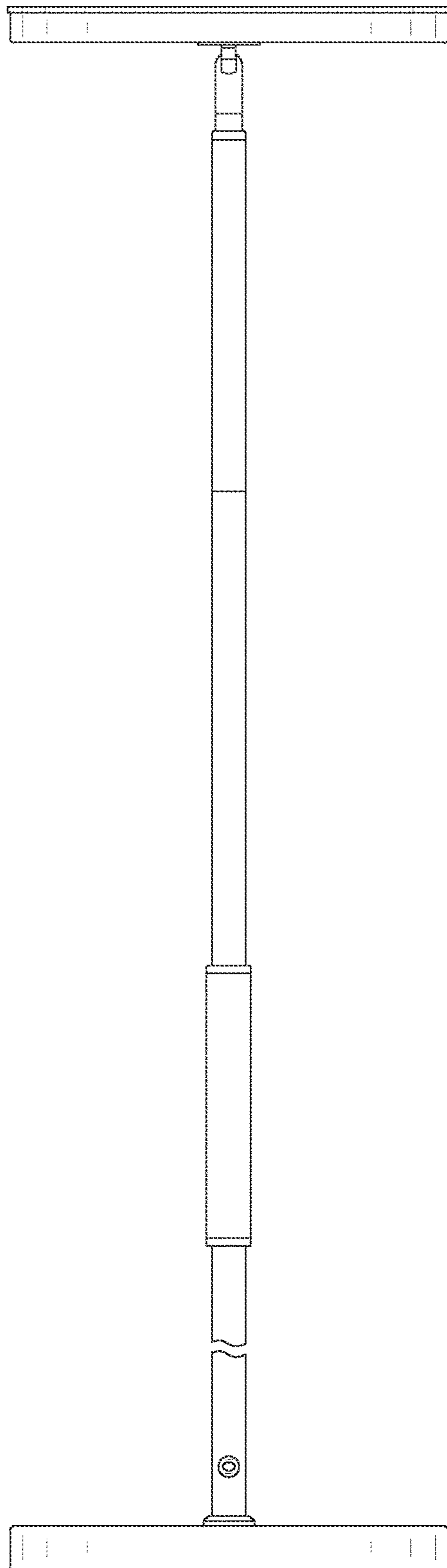


FIG.2

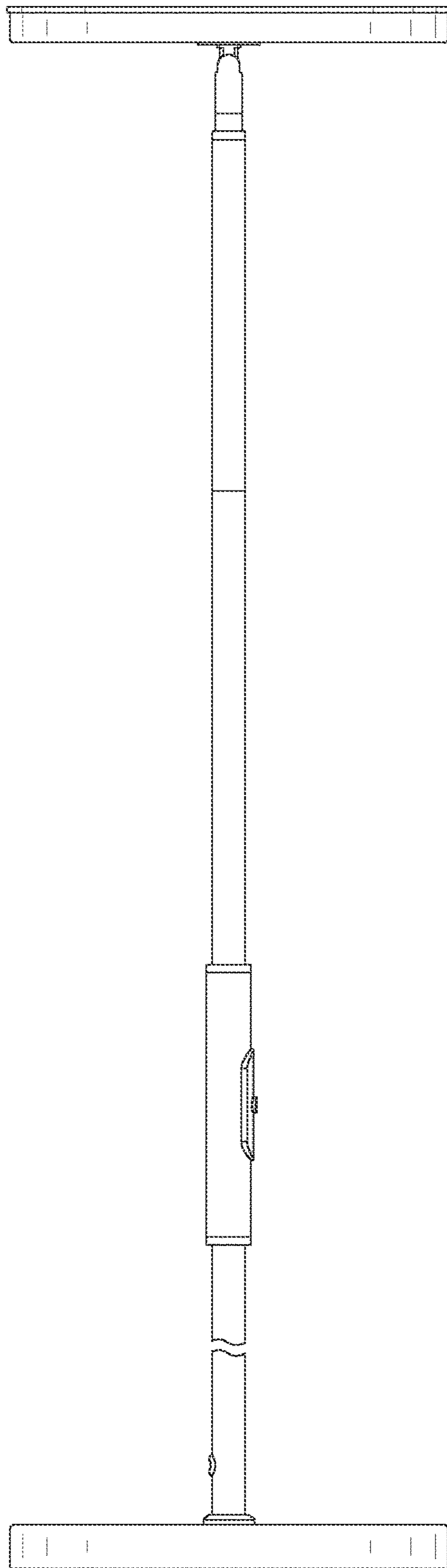


FIG.3

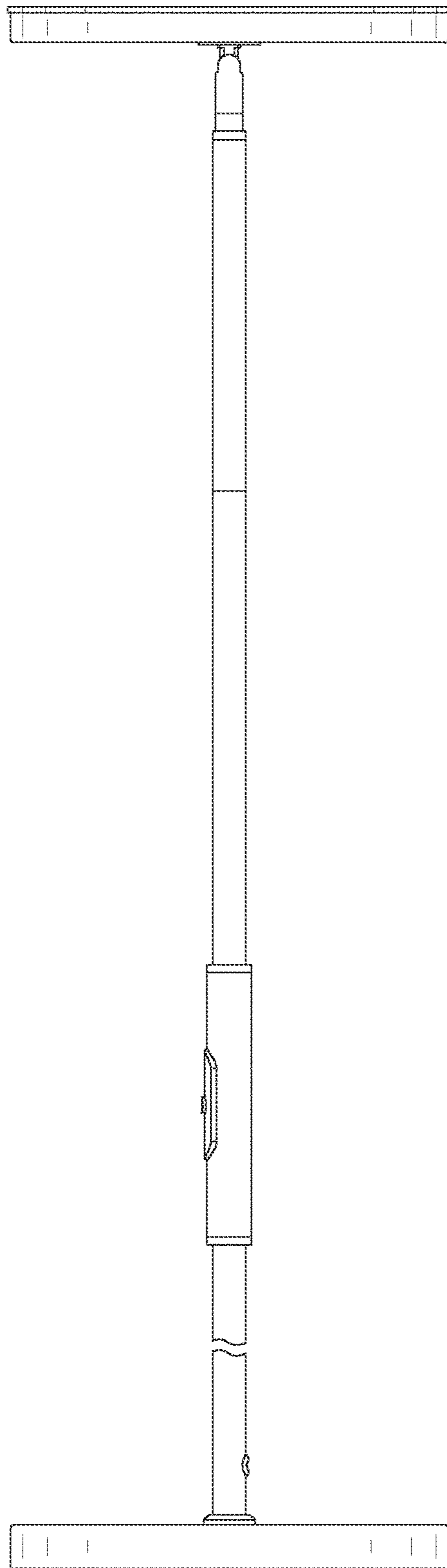


FIG. 4

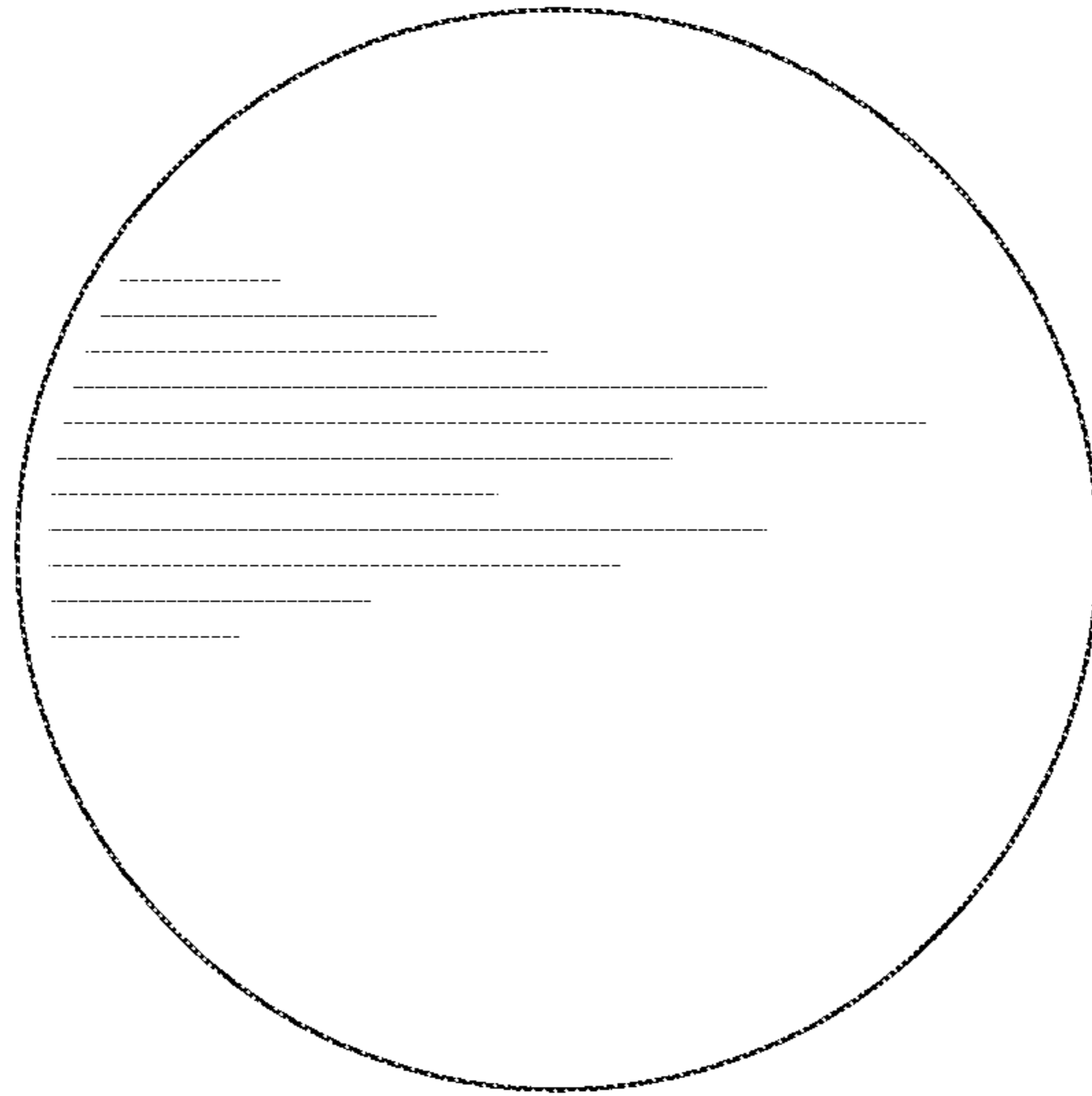


FIG. 5

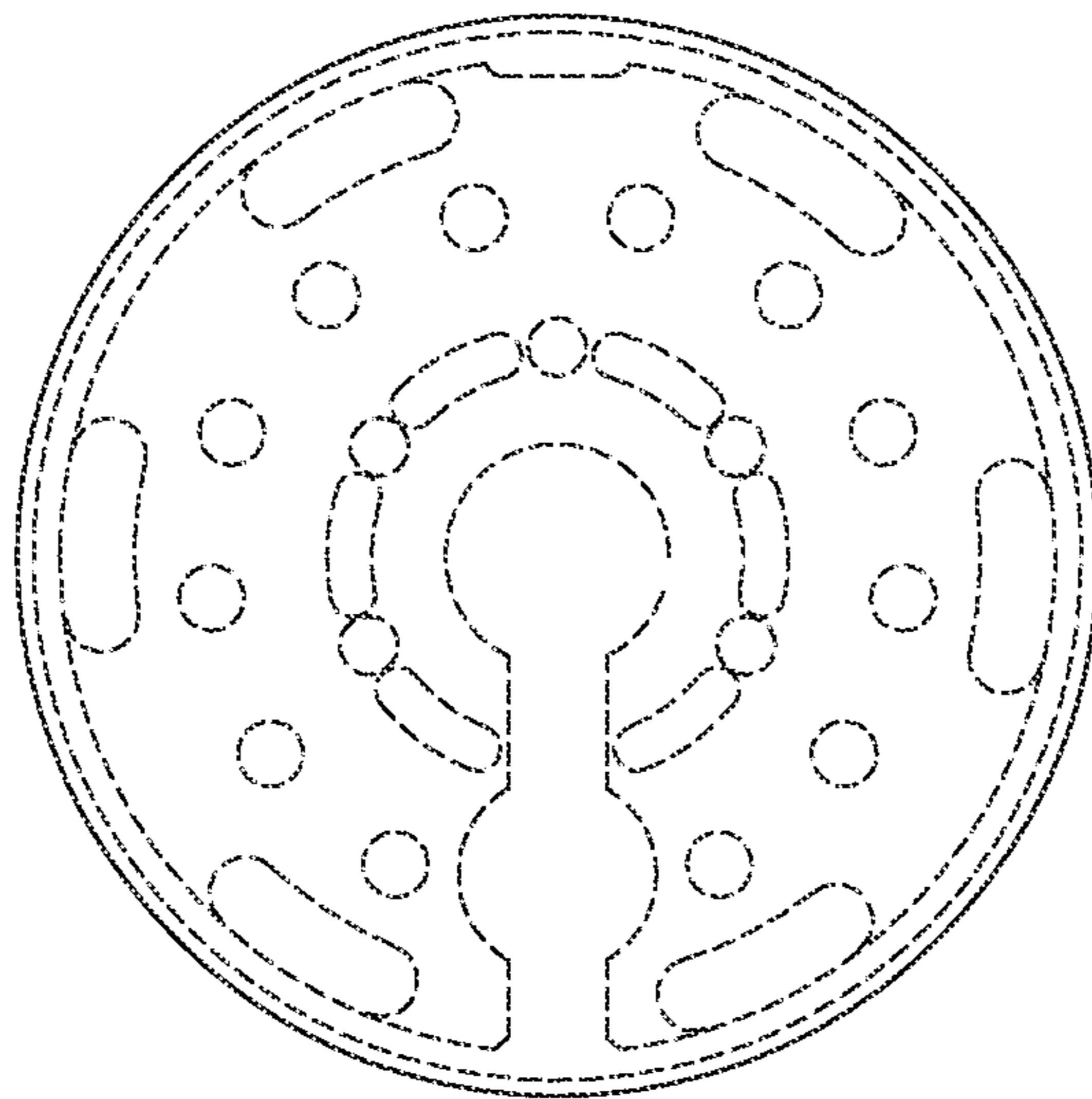


FIG. 6

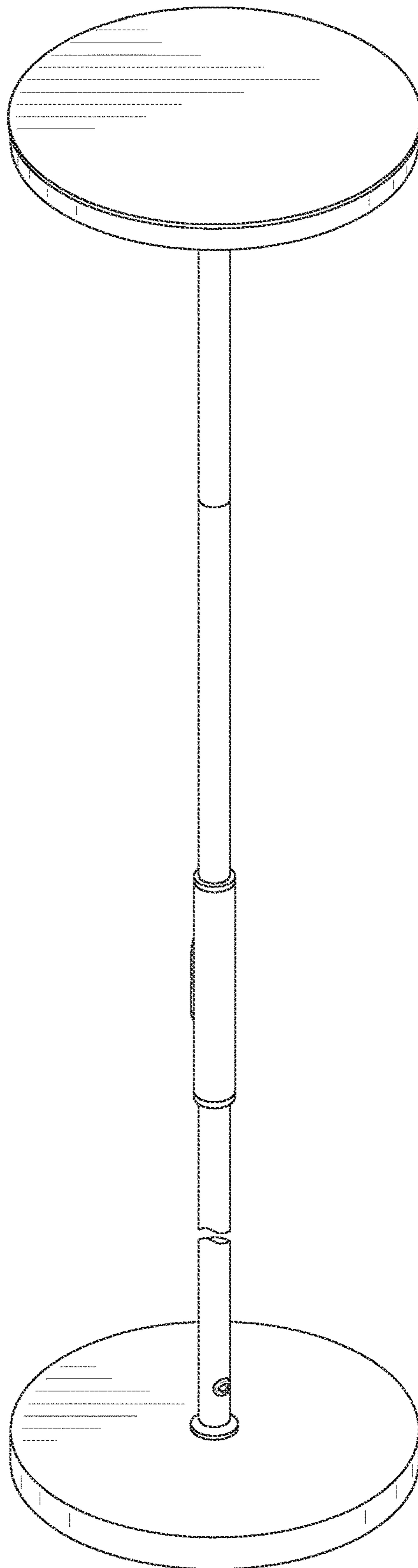


FIG. 7



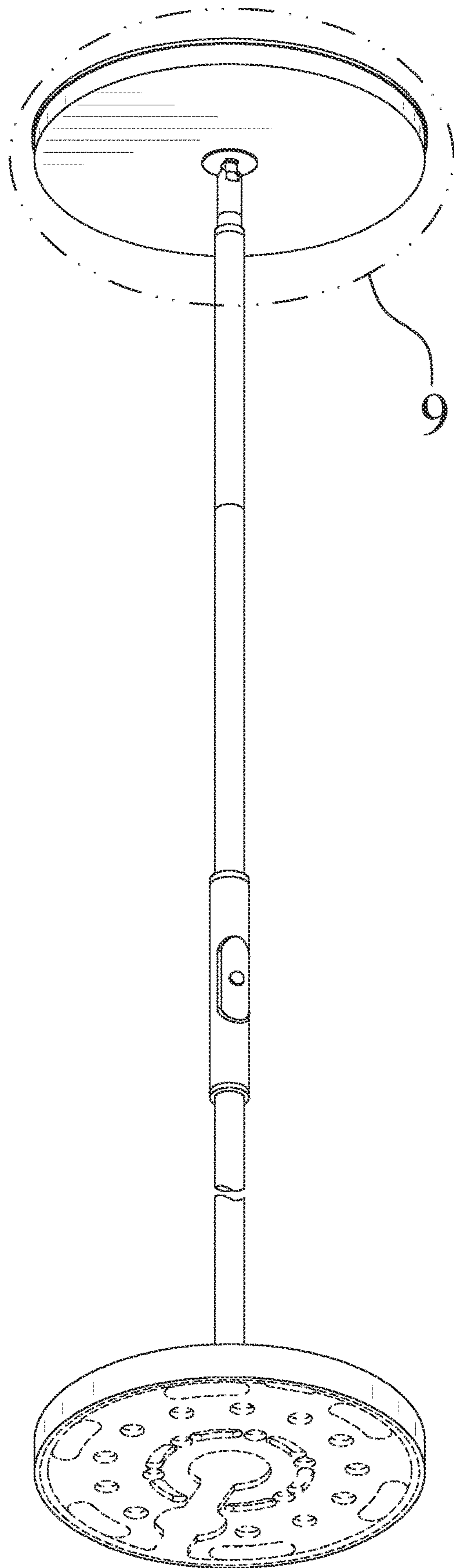


FIG.8

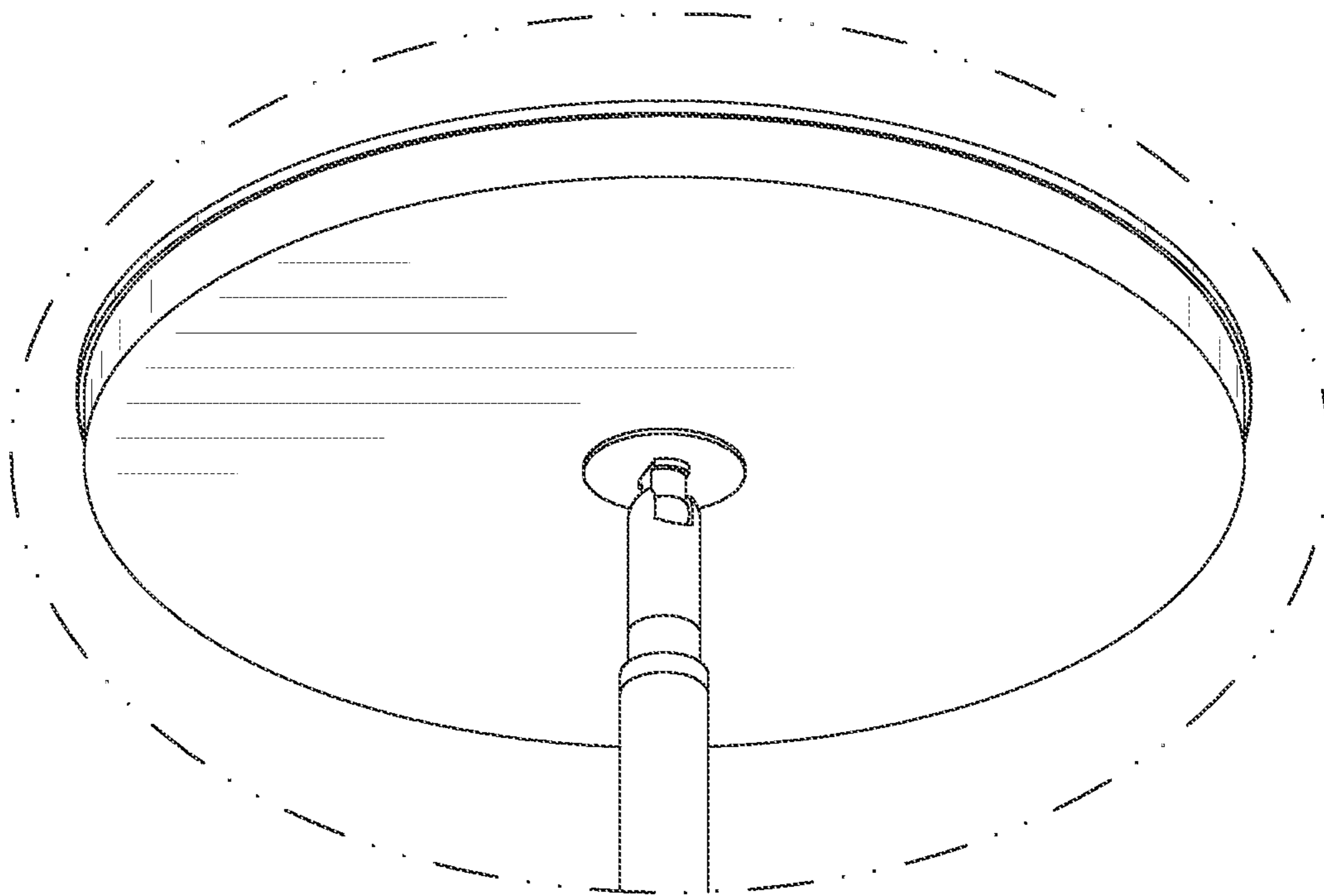


FIG.9