

US00D964630S

(12) **United States Design Patent** (10) **Patent No.:** **US D964,630 S**
Wang et al. (45) **Date of Patent:** **** Sep. 20, 2022**

(54) **LAMP**

FOREIGN PATENT DOCUMENTS

(71) Applicant: **JIANGMEN LIANHAO LIGHTING TECHNOLOGY CO., LTD.**, Jiangmen (CN)

CN 304059667 * 2/2017
CN 305854773 * 6/2020
CN 306244154 * 12/2020

(72) Inventors: **Gongli Wang**, Jiangmen (CN);
Zhenhua Hu, Jiangmen (CN)

OTHER PUBLICATIONS

(73) Assignee: **JIANGMEN LIANHAO LIGHTING TECHNOLOGY CO., LTD.**, Jiangmen (CN)

Vivosun Patented Design VS4300 LED Grow Light, available in Amazon.com, date first available Aug. 20, 2020 [online], [site visited Jul. 19, 2022], Available from the internet URL: https://www.amazon.com/VIVOSUN-Patented-Foldable-Dimmable-Samsung/dp/B08D6L45FP/ref=psdc_14252941_t3_B08QF3KK57?th=1 (Year: 2020).*

(**) Term: **15 Years**

Primary Examiner — Brett Miller
Assistant Examiner — Jasmine L. Comedy

(21) Appl. No.: **29/766,192**

(22) Filed: **Jan. 14, 2021**

(51) **LOC (13) Cl.** **26-04**

(52) **U.S. Cl.**
USPC **D26/76**

(57) **CLAIM**

The ornamental design for a lamp, as shown and described.

(58) **Field of Classification Search**
USPC D26/76, 77, 85, 113; 362/223, 220, 362/249.15

DESCRIPTION

CPC .. F21Y 2113/00; F21Y 2103/00; F21V 17/00; F21S 8/04; F21S 4/28; A01G 7/045; A01G 9/249; D03D 9/00; H05B 45/20
See application file for complete search history.

FIG. 1 is a perspective view of a lamp showing my new design;
FIG. 2 is another perspective view thereof;
FIG. 3 is a front elevational view thereof;
FIG. 4 is a rear elevational view thereof;
FIG. 5 is a left side elevational view thereof;
FIG. 6 is a right side elevational view thereof;
FIG. 7 is a top plan view thereof;
FIG. 8 is a bottom plan view thereof;
FIG. 9 is an enlarged view of portion 9 shown in FIG. 1;
FIG. 10 is an enlarged view of portion 10 shown in FIG. 1;
FIG. 11 is an enlarged view of portion 11 shown in FIG. 2;
FIG. 12 is an enlarged view of portion 12 shown in FIG. 2;
and,
FIG. 13 is an enlarged view of portion 13 shown in FIG. 4.
The broken lines in the drawings depict portions of the lamp that form no part of the claimed design.

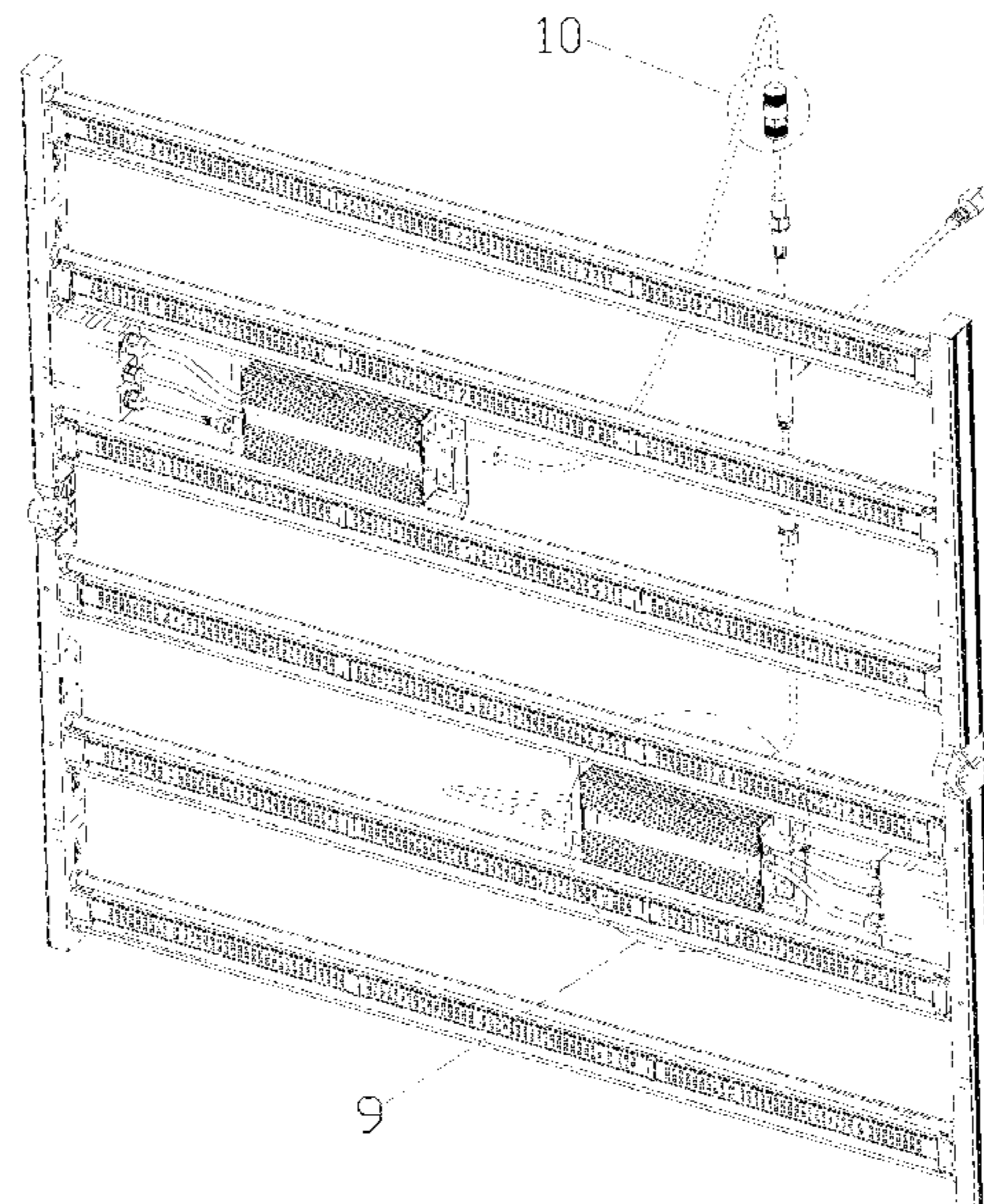
(56) **References Cited**

U.S. PATENT DOCUMENTS

D804,077 S * 11/2017 Ma D26/76
D863,656 S * 10/2019 Klase D26/113
D868,337 S * 11/2019 Deng D26/76
D881,440 S * 4/2020 Zhu D26/76
D910,898 S * 2/2021 Chen D26/76
D923,850 S * 6/2021 Liu D26/76
D928,381 S * 8/2021 Xia D26/76
D945,043 S * 3/2022 Chen D26/76
D945,044 S * 3/2022 Chen D26/76

(Continued)

1 Claim, 13 Drawing Sheets



(56)

References Cited

U.S. PATENT DOCUMENTS

D949,454 S * 4/2022 Burkhart D26/76
D955,027 S * 6/2022 Lauck D26/76
2016/0003453 A1* 1/2016 Klase F21S 4/28
362/220
2020/0053967 A1* 2/2020 Murphy H05B 45/20

* cited by examiner

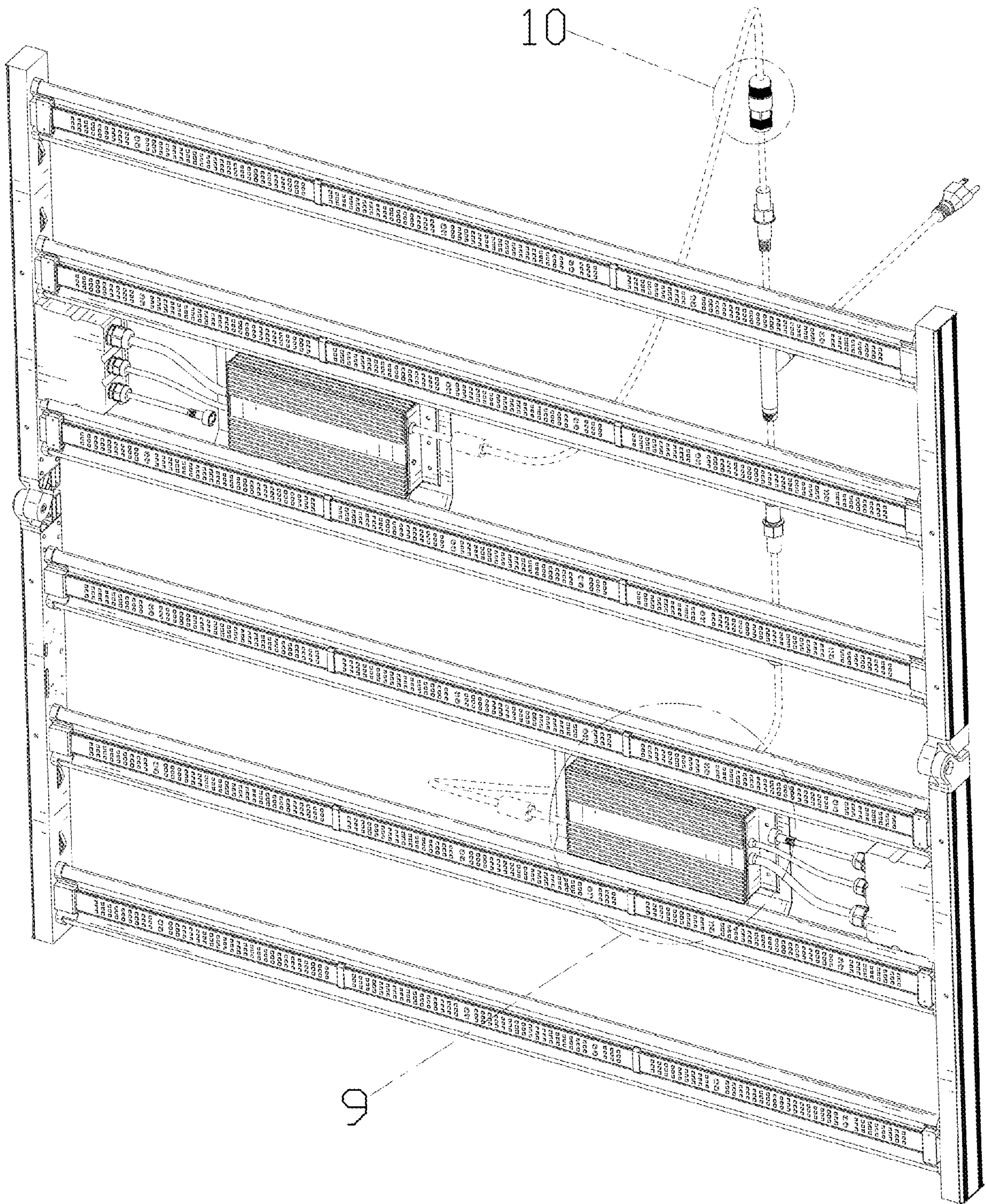


FIG. 1

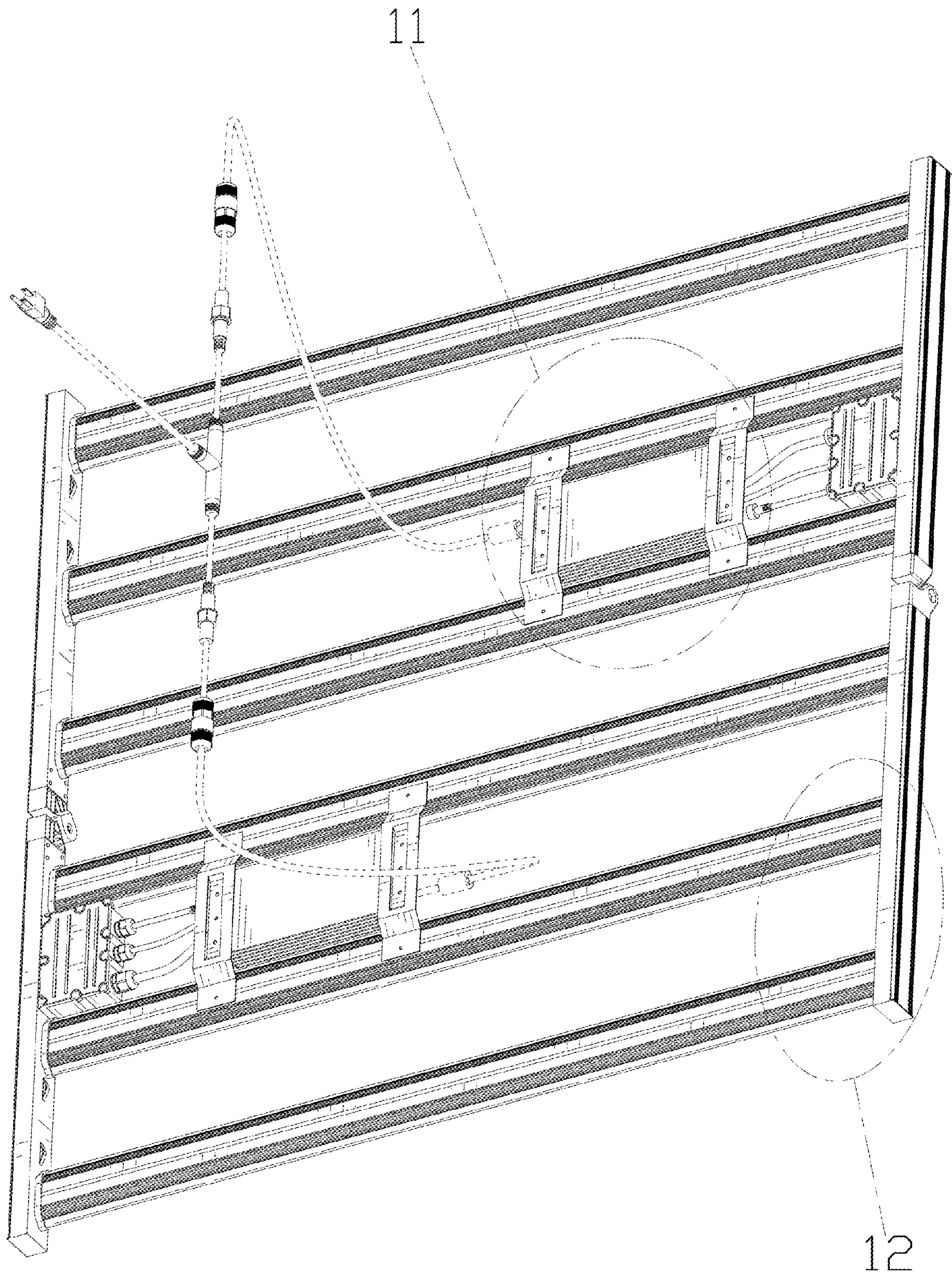


FIG. 2

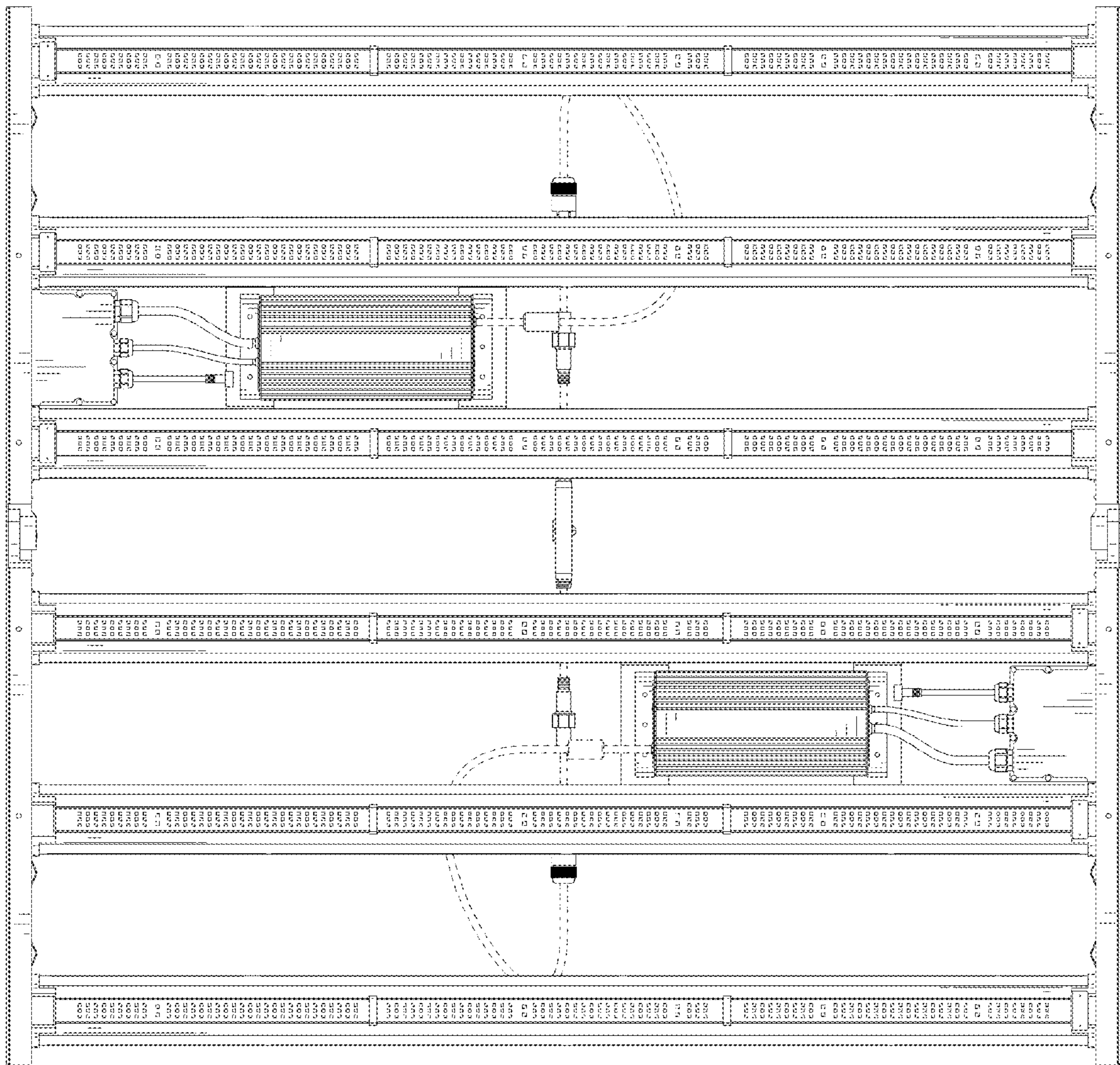
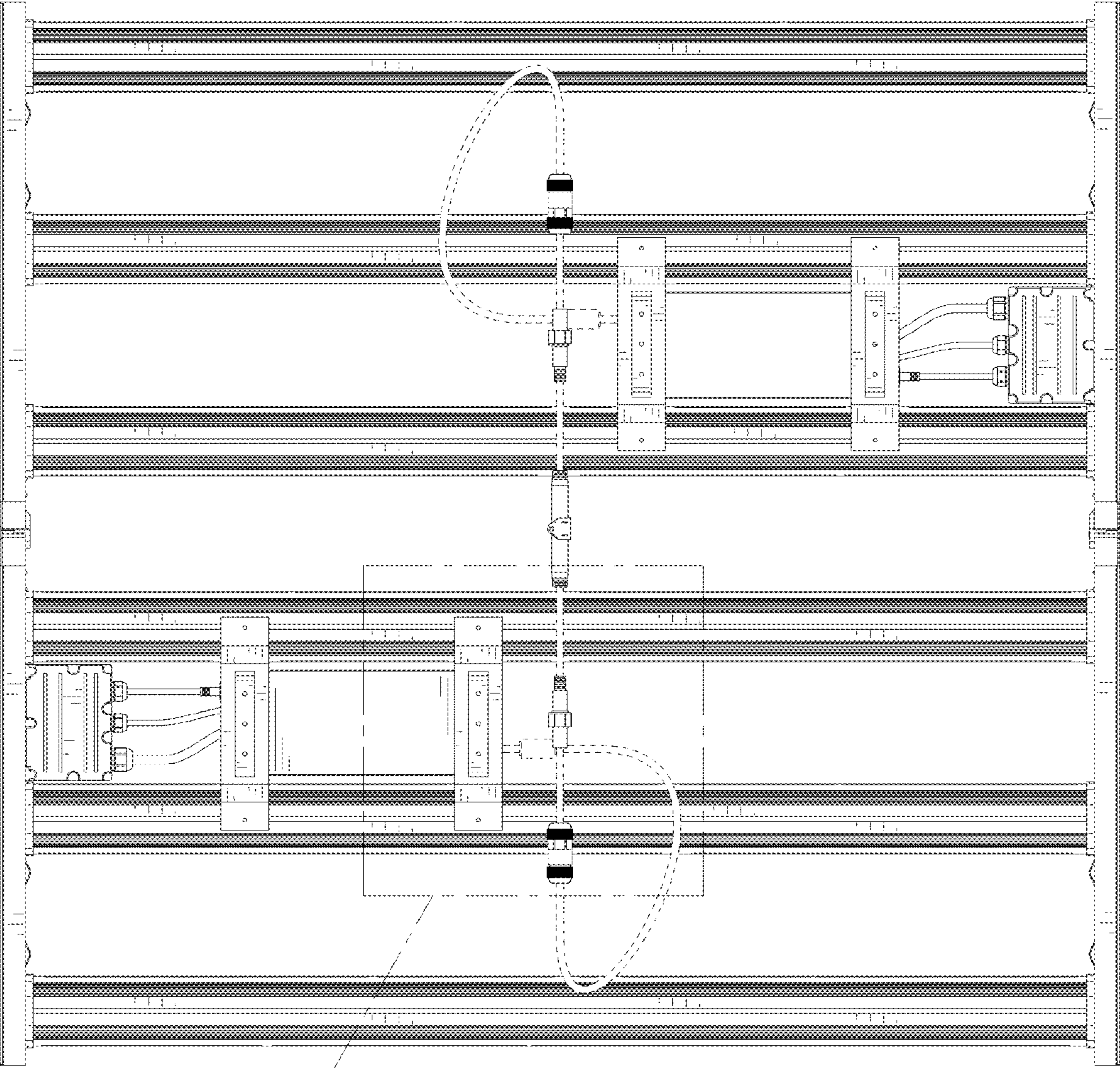


FIG. 3



13

FIG. 4

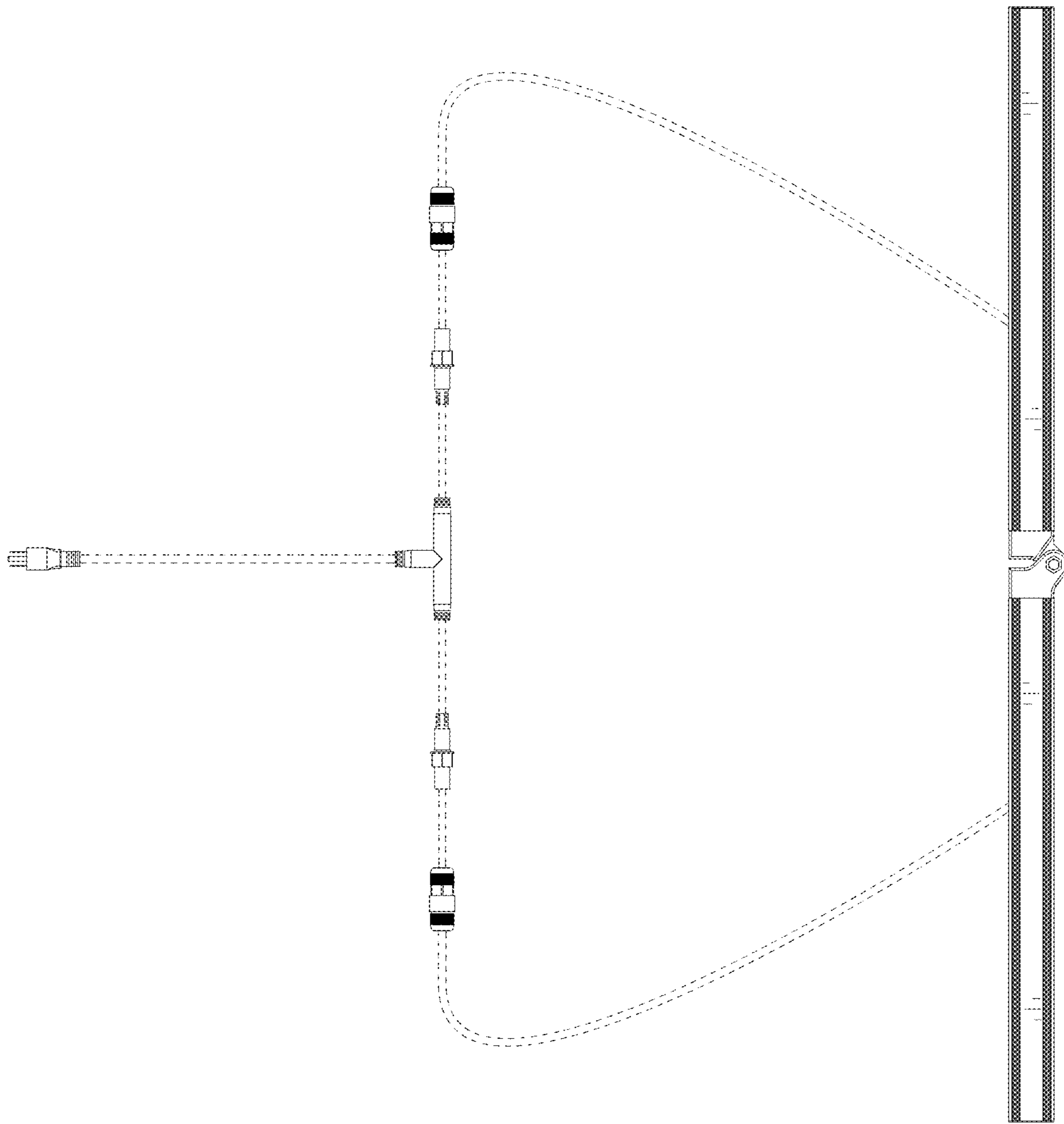


FIG. 5

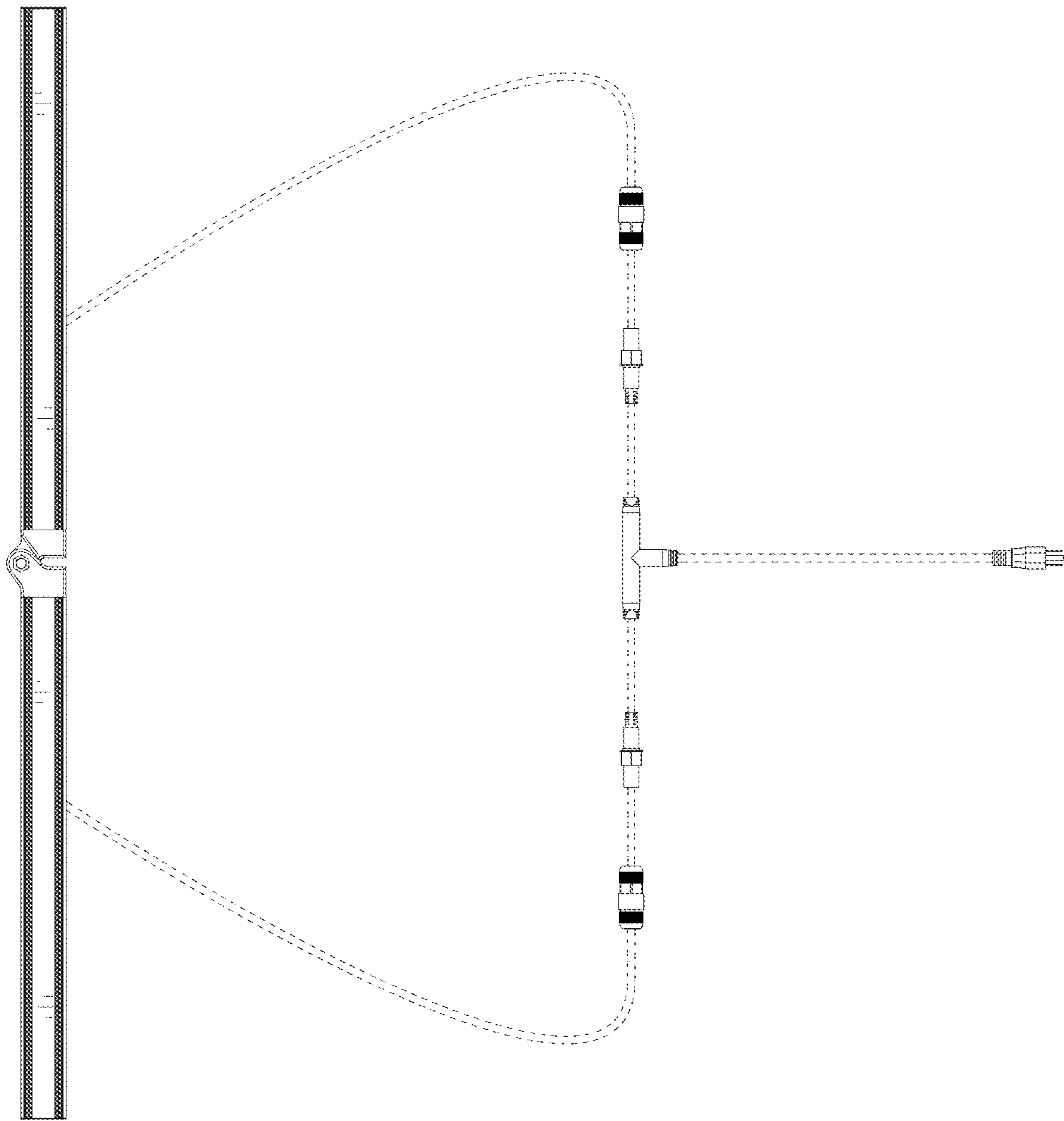


FIG. 6

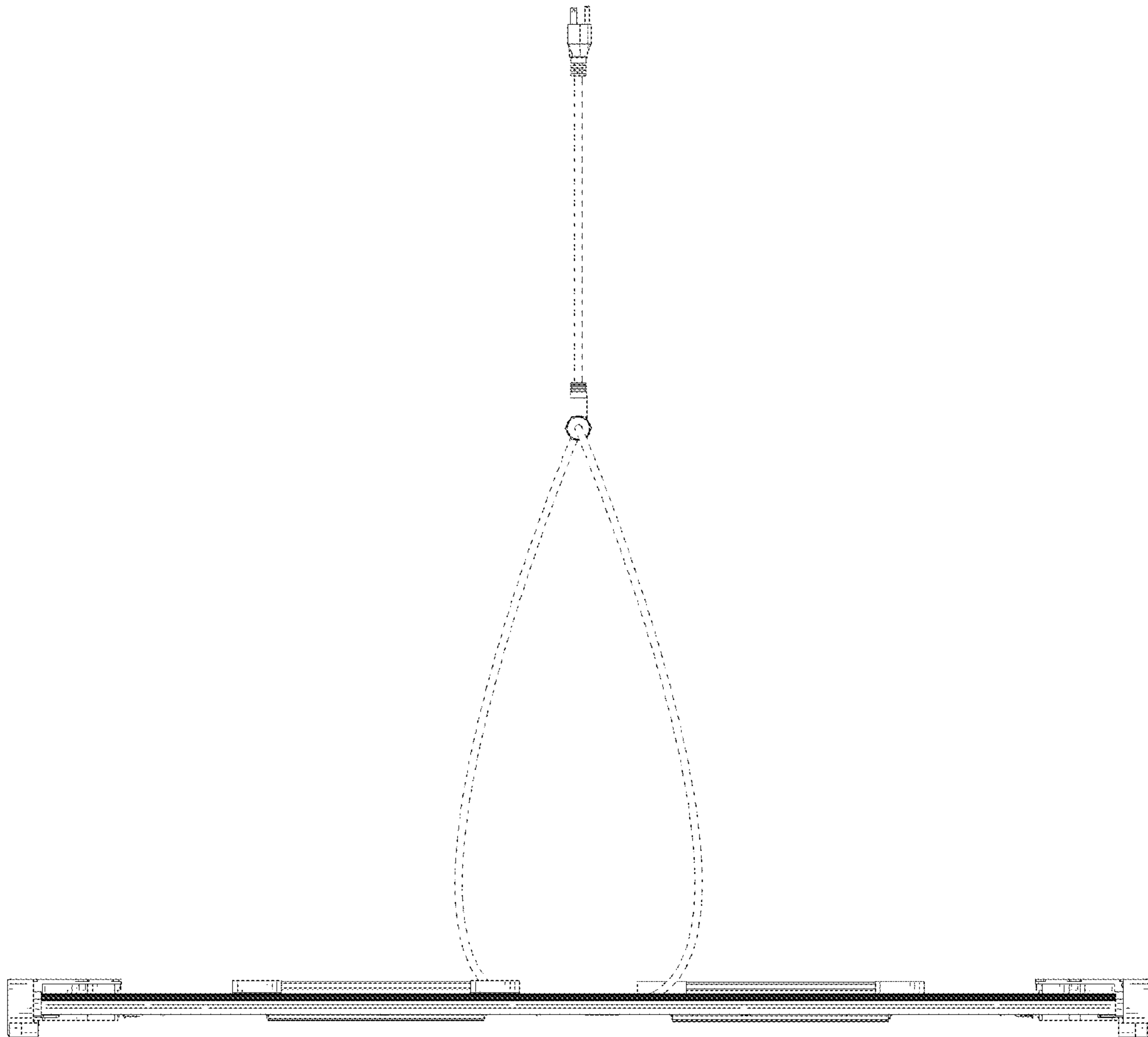


FIG. 7



FIG. 8

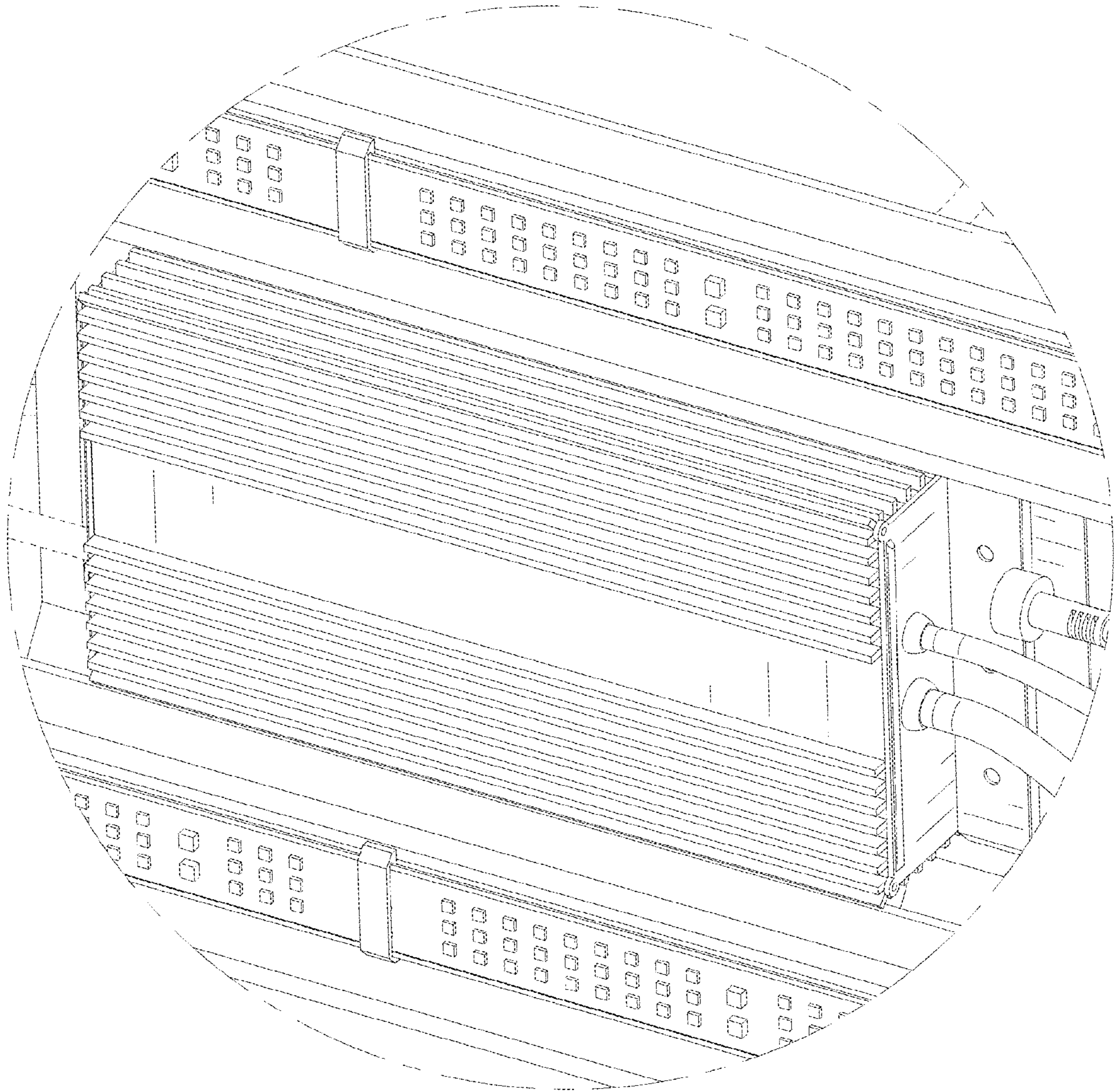


FIG. 9

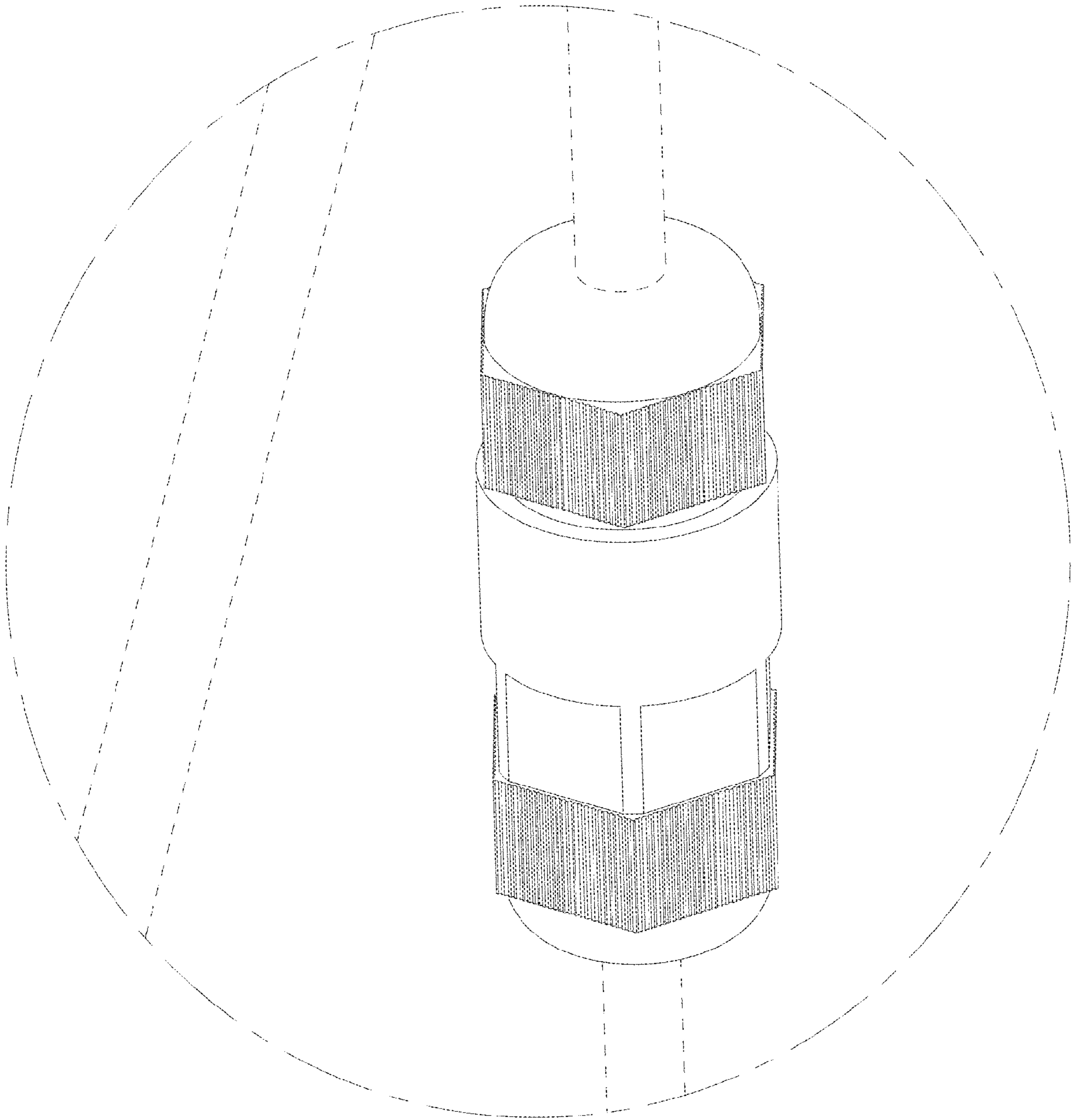


FIG. 10

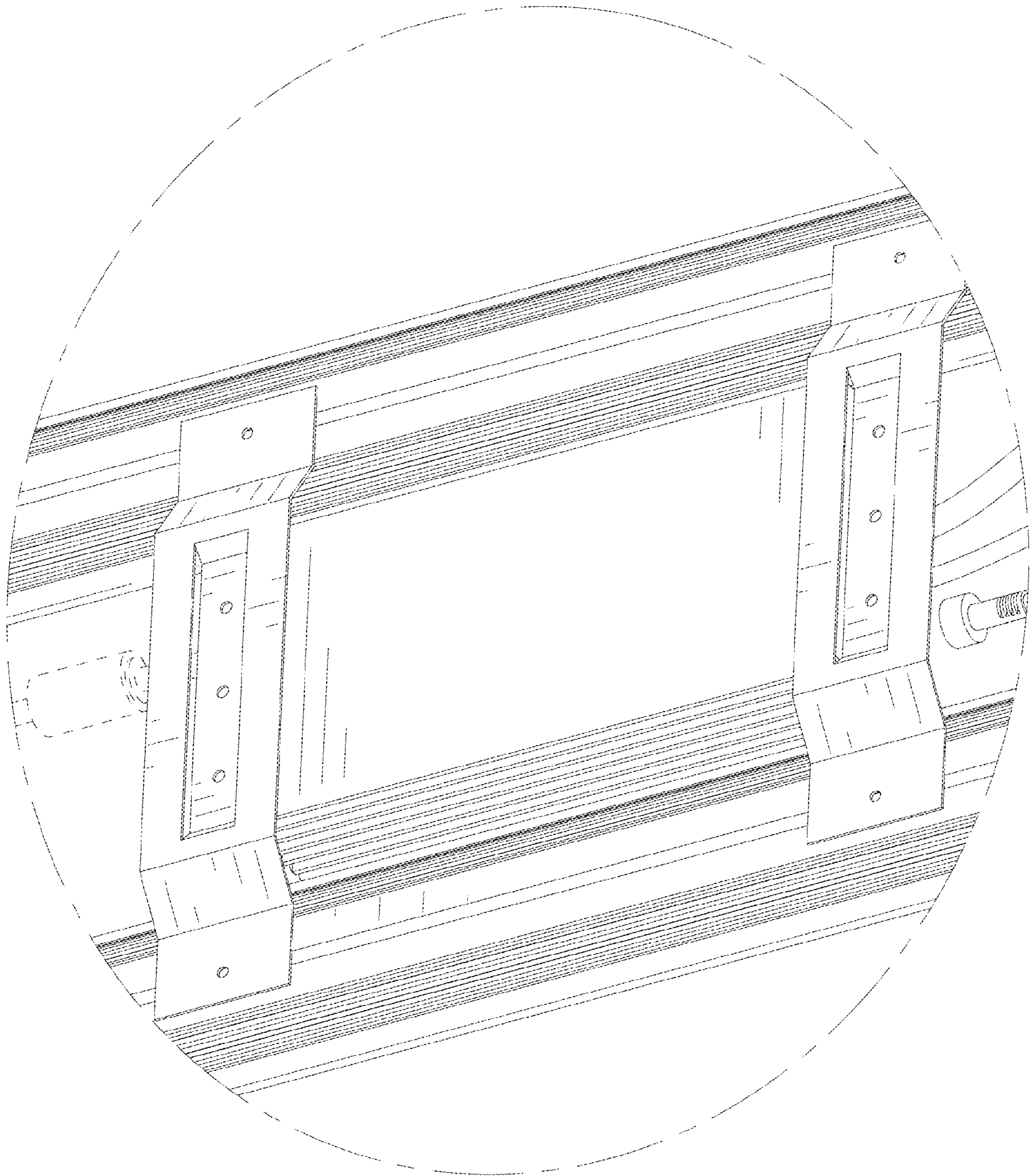


FIG. 11

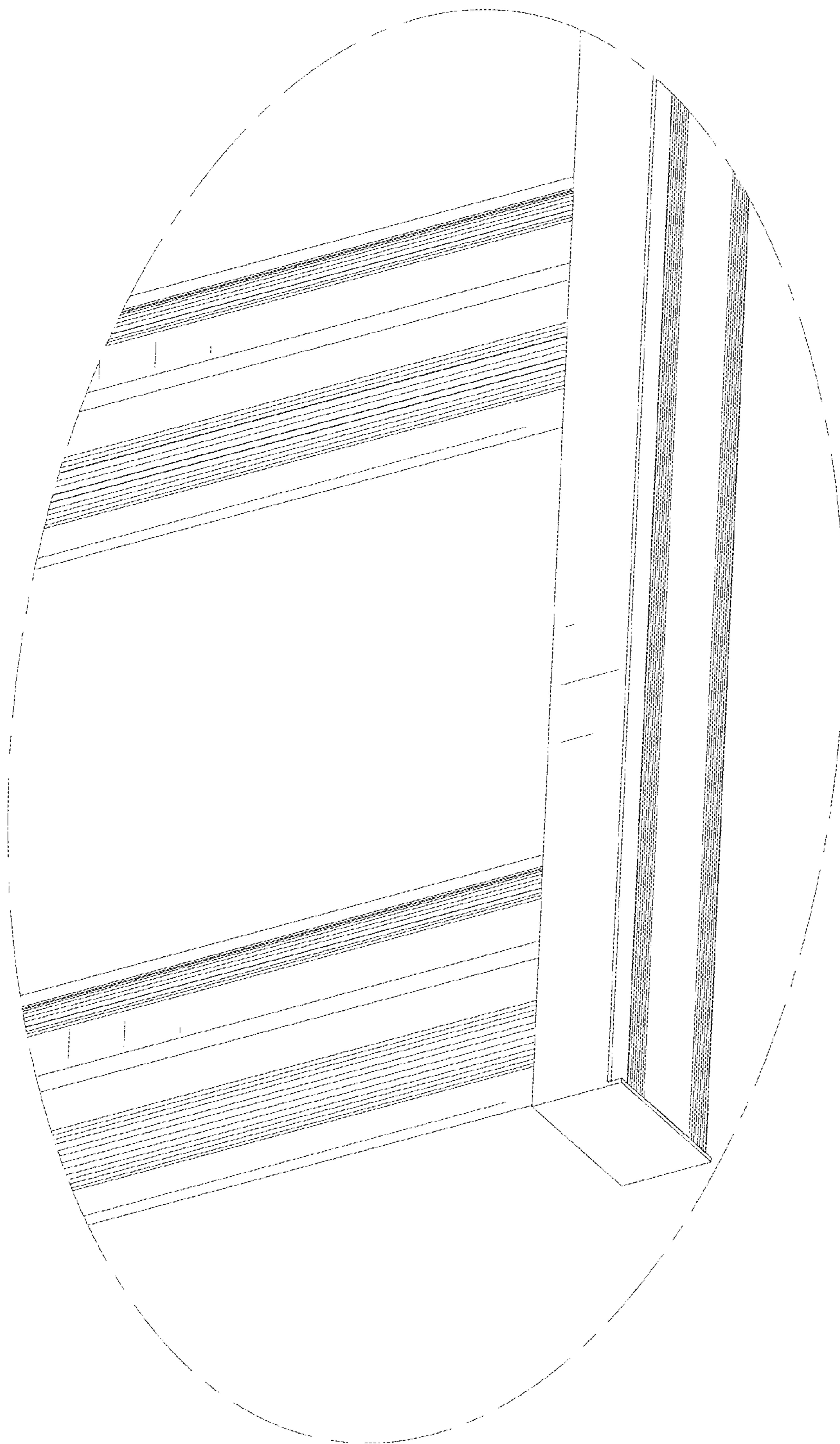


FIG. 12

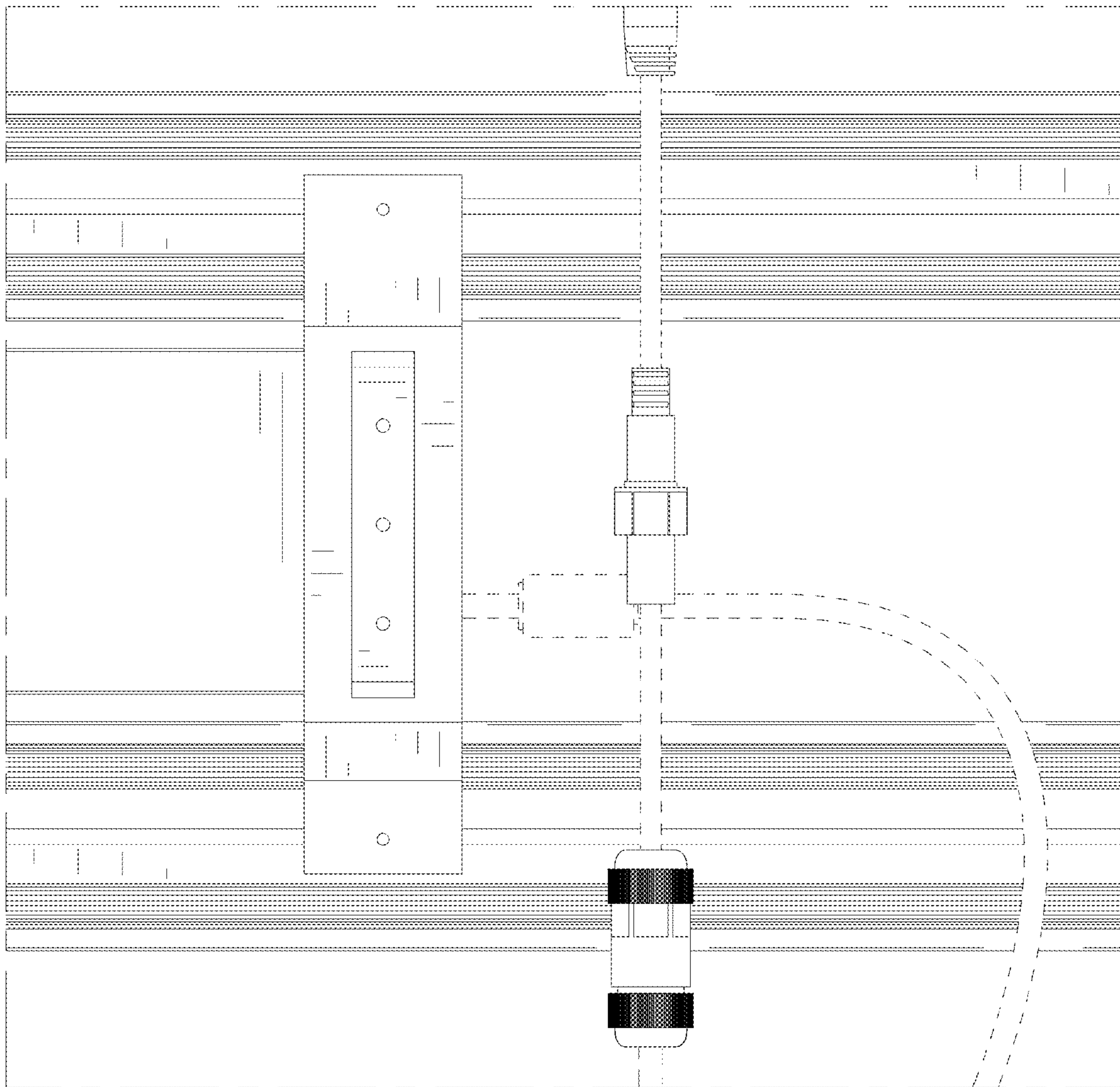


FIG. 13