

US00D964627S

(12) **United States Design Patent** (10) **Patent No.:** **US D964,627 S**
Deng (45) **Date of Patent:** **** Sep. 20, 2022**

(54) **SOLAR WALL LIGHT**
(71) Applicant: **Zian Deng**, Shenzhen (CN)
(72) Inventor: **Zian Deng**, Shenzhen (CN)
(**) Term: **15 Years**

D875,991 S * 2/2020 Wan D26/85
D893,075 S * 8/2020 Kong D26/72
D938,638 S * 12/2021 Chen D26/85
D940,372 S * 1/2022 Loew D26/85
D940,941 S * 1/2022 Wu D26/72
D945,677 S * 3/2022 Xiao D26/72
D950,828 S * 5/2022 Kong D26/85

(21) Appl. No.: **29/755,853**
(22) Filed: **Oct. 23, 2020**
(30) **Foreign Application Priority Data**

May 7, 2020 (CN) 202030199256.6

(51) **LOC (13) Cl.** **26-05**
(52) **U.S. Cl.**
USPC **D26/72**

(58) **Field of Classification Search**
USPC D26/72, 85, 92; D10/106.6, 106.8
CPC F21S 8/03; F21S 8/033; F21S 8/036; F21S
9/03; F21S 9/037; F21S 13/02; F21S
13/10; F21S 13/14; F21W 2131/107;
G08B 13/193
See application file for complete search history.

(56) **References Cited**

U.S. PATENT DOCUMENTS

D202,803 S * 11/1965 Wince D26/85
D272,193 S * 1/1984 Sangiamo D26/85
D380,853 S * 7/1997 Johnson D26/128
D535,775 S * 1/2007 Lueken D26/93
D626,270 S * 10/2010 Waldmann D26/85
D791,994 S * 7/2017 Liu D10/106.8
D802,199 S * 11/2017 Zhuo D26/85
D805,236 S * 12/2017 Exley D26/85
D808,569 S * 1/2018 Ban D26/85
D829,956 S * 10/2018 Liu D26/85
D843,631 S * 3/2019 Wen D26/85
D864,459 S * 10/2019 Pan D26/85

OTHER PUBLICATIONS

Kong Lingguo, Solar energy sense light . First available Jul. 28, 2020. Searched on May 17, 2022. Questel Serial No. of registration 305950859 (Year: 2020).*
Seed Alarm, Solar Outdoor Light. First available Feb. 21, 2020. Searched on May 17, 2022. [https://www.amazon.com/dp/B0851SBW47/] (Year: 2020).*
https://www.amazon.com/gp/product/B08D6SVNY4?th=1; Jul. 17, 2020.

* cited by examiner

Primary Examiner — Samantha Q Lawrence
Assistant Examiner — Melissa Adriane Santos
(74) *Attorney, Agent, or Firm* — Rumit Ranjit Kanakia

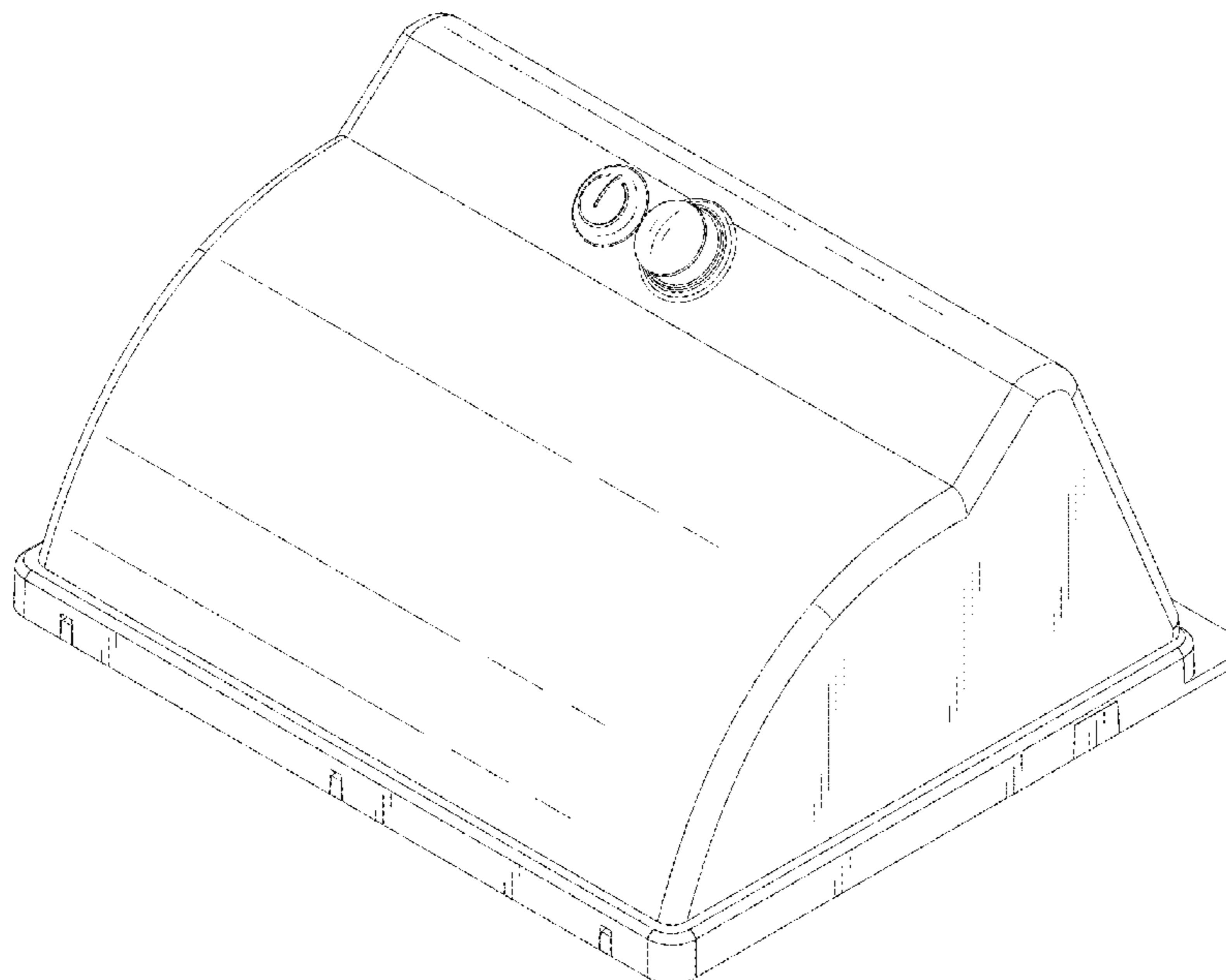
(57) **CLAIM**

I claim the ornamental design for a solar wall light, as shown and described.

DESCRIPTION

FIG. 1 is a Perspective view of a solar wall light showing my new design;
FIG. 2 is a Front view thereof;
FIG. 3 is a Back view thereof;
FIG. 4 is a Right-side view thereof;
FIG. 5 is a Left-side view thereof;
FIG. 6 is a Top view thereof; and,
FIG. 7 is a Bottom view thereof.
The broken lines shown in the drawings illustrate portions of the solar wall light that form no part of the claimed design.

1 Claim, 7 Drawing Sheets



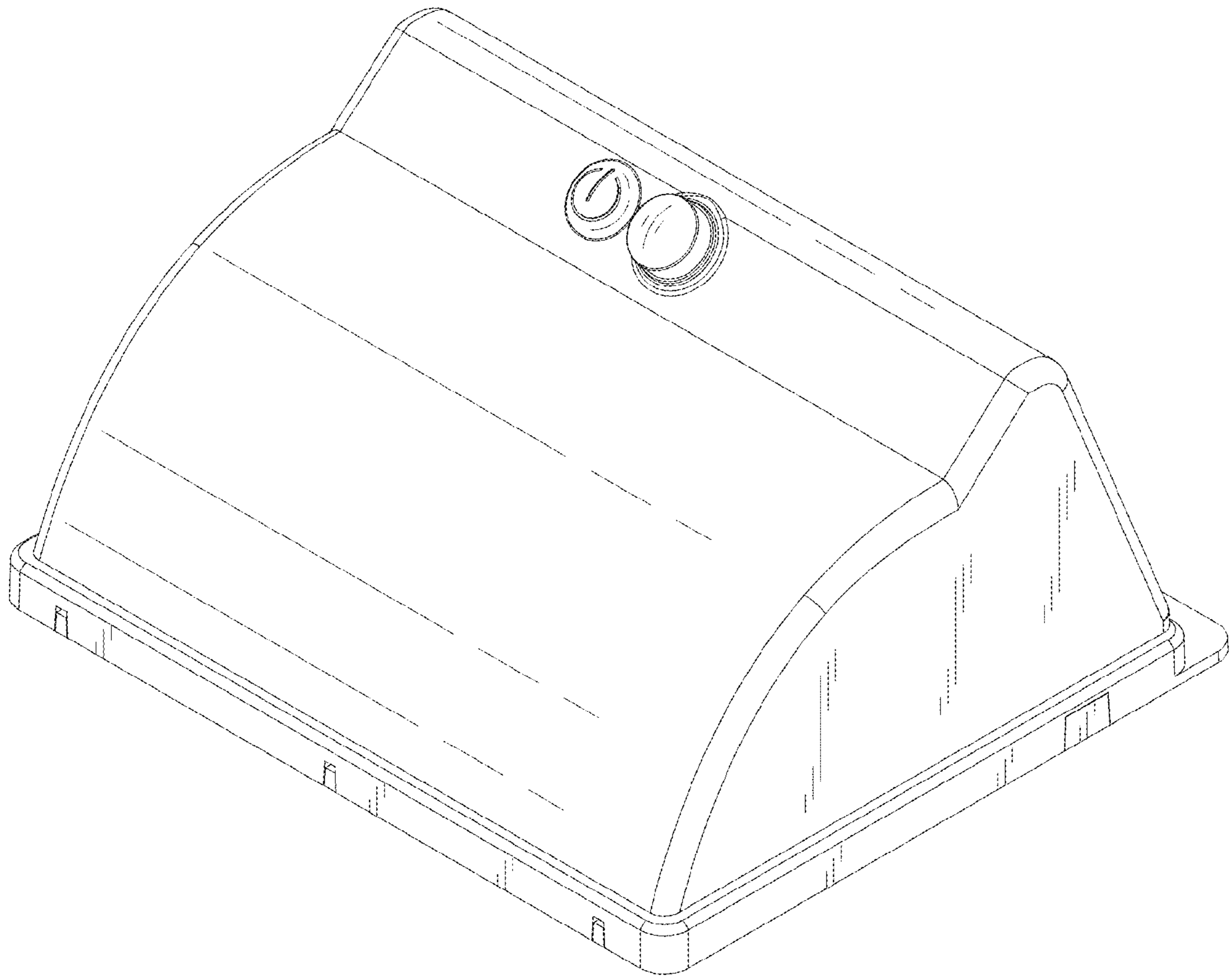


FIG. 1

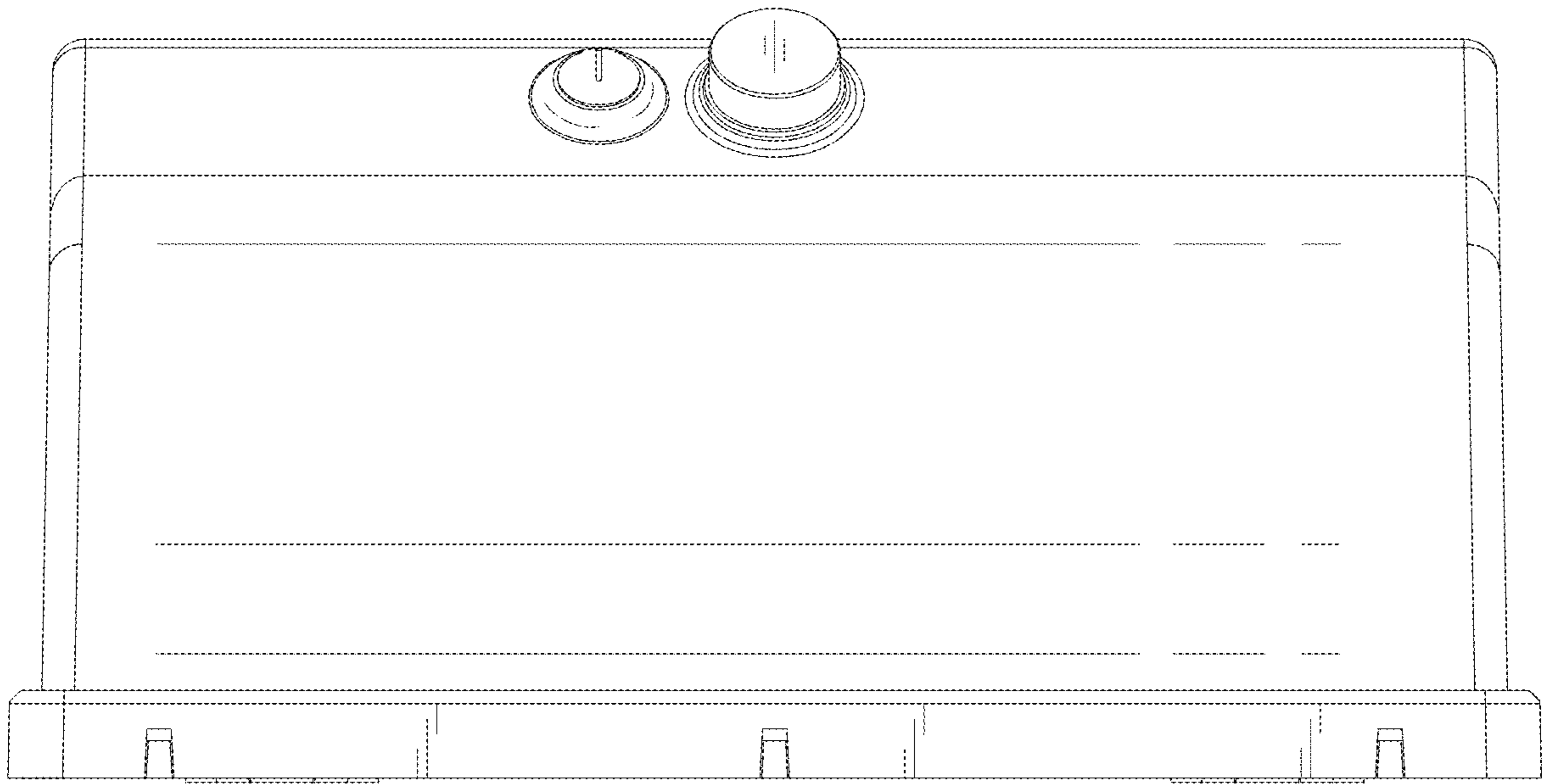


FIG. 2

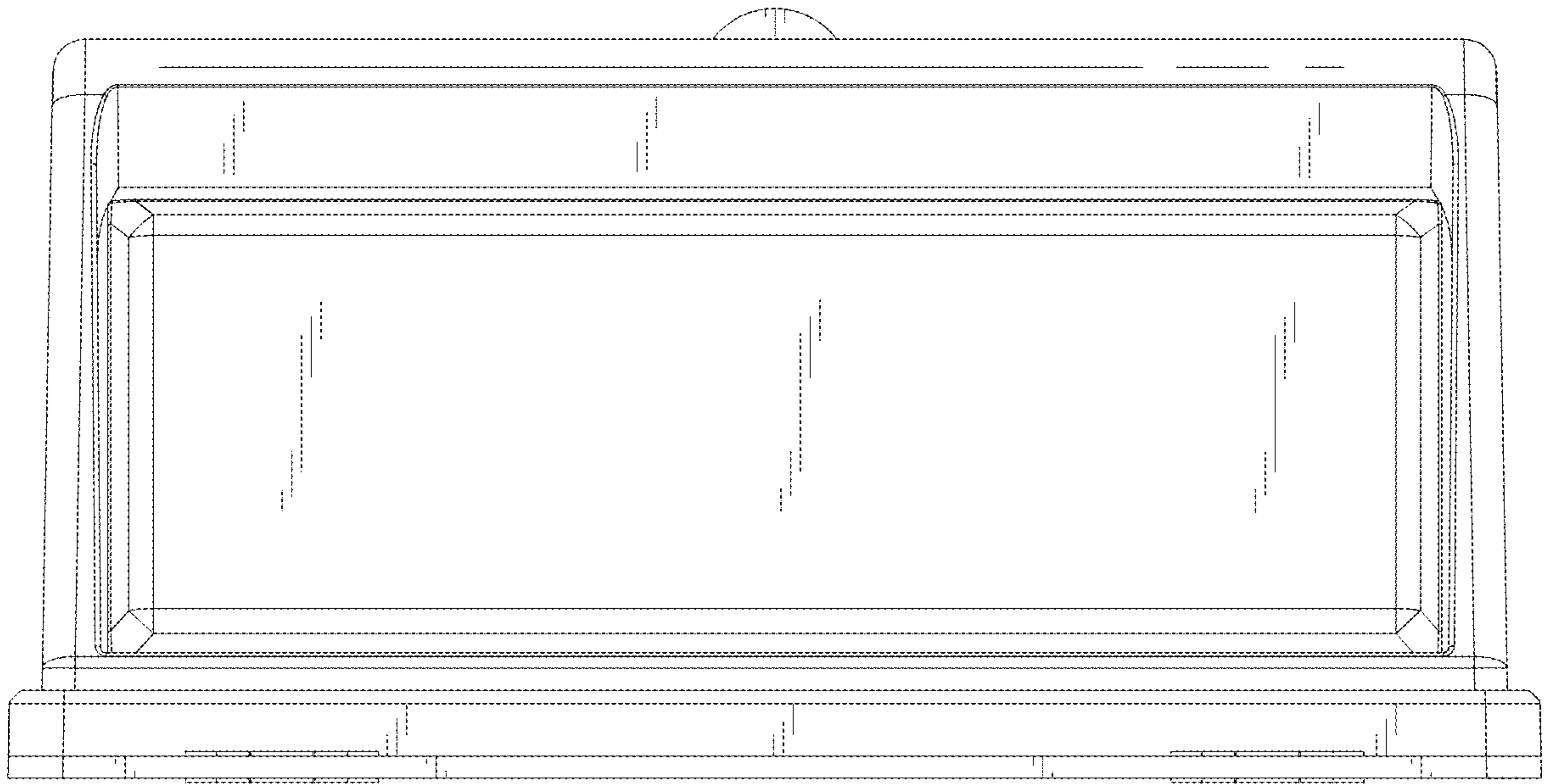


FIG. 3

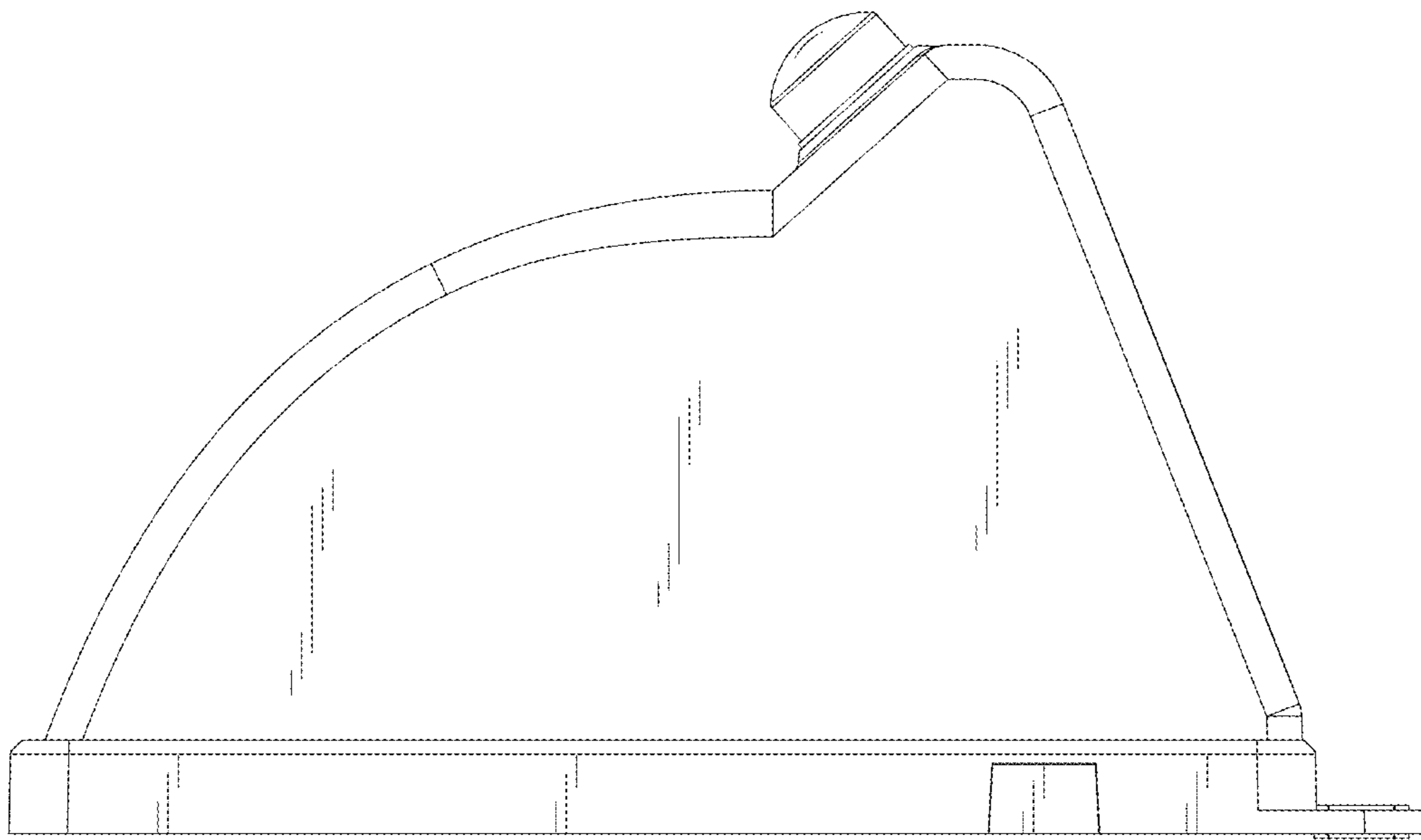


FIG. 4

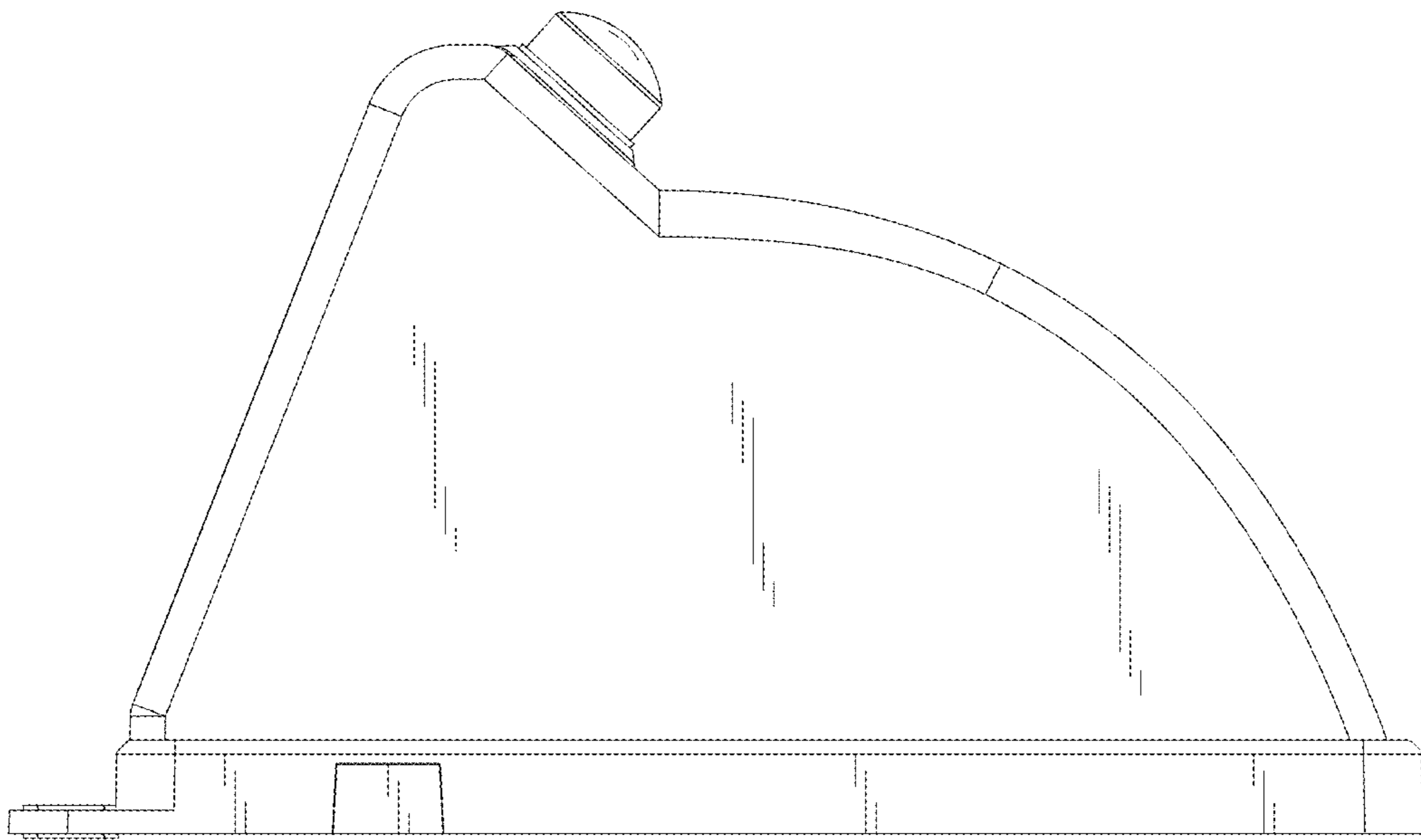


FIG. 5

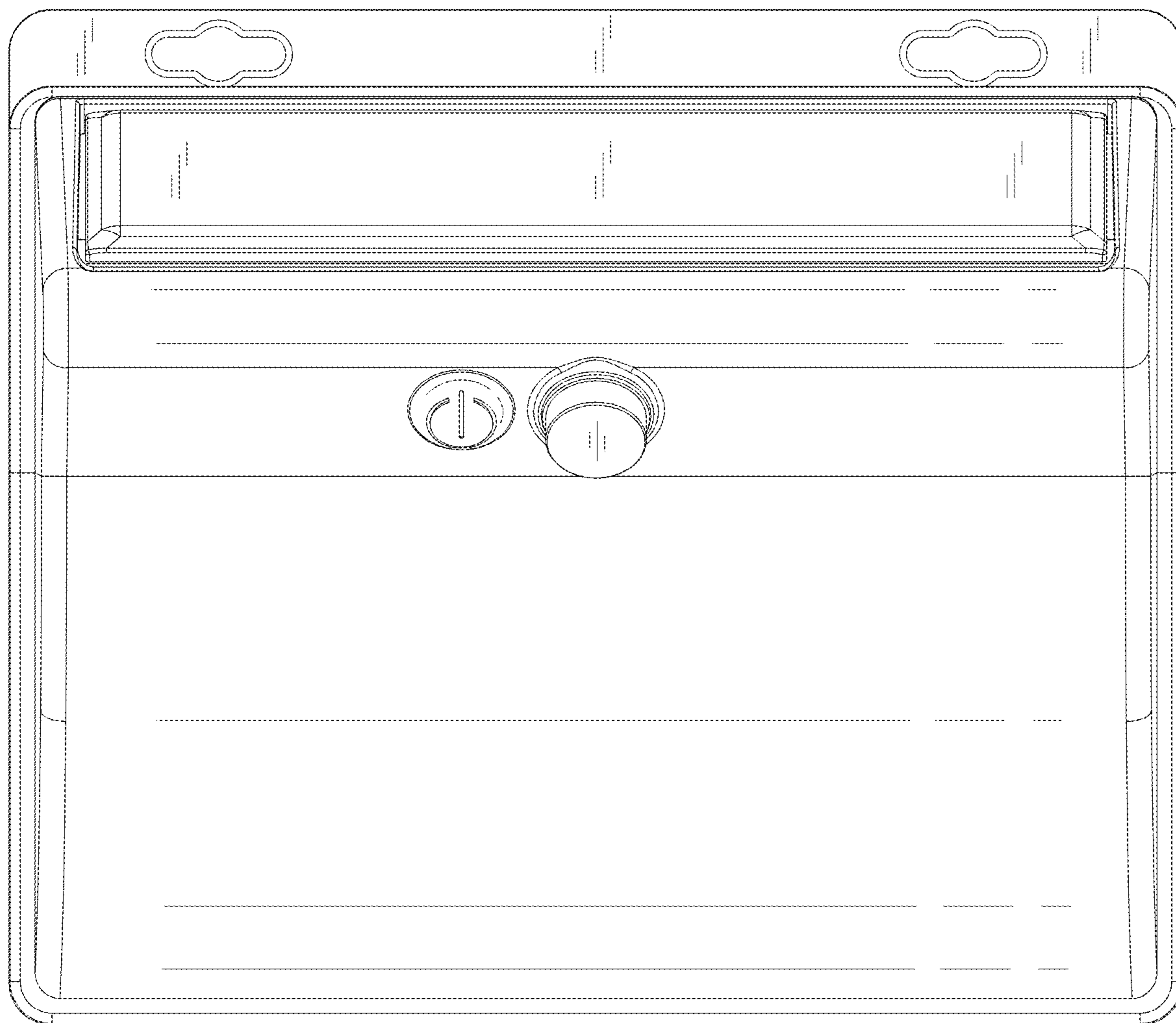


FIG. 6

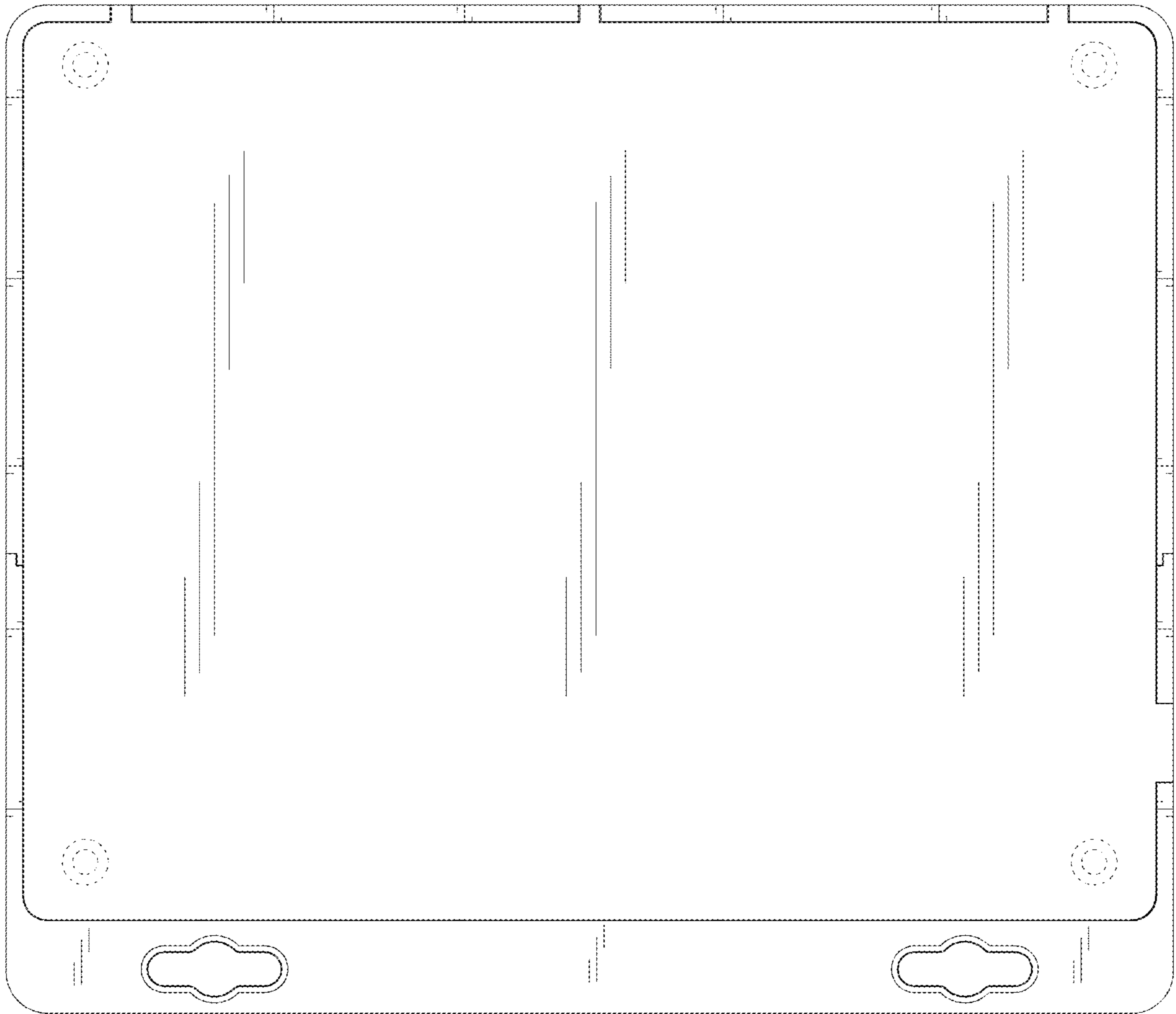


FIG. 7