



US00D964625S

(12) **United States Design Patent** (10) **Patent No.:** **US D964,625 S**
Shen (45) **Date of Patent:** **** Sep. 20, 2022**

(54) **TORCH LAMP**

FOREIGN PATENT DOCUMENTS

(71) Applicant: **Shenzhen Cangjiu Electronic Technology Co. Ltd, Shenzhen (CN)**

DE 202018104979 U1 * 9/2018 F21V 1/00

(72) Inventor: **Linbin Shen, Shenzhen (CN)**

OTHER PUBLICATIONS

(**) Term: **15 Years**

Eicaus Solar Torch Light, ASIN: B089K6L1M3. Available from amazon.com as early as Dec. 29, 2020. (Year: 2020).*
TACOPET Solar Torch Light, ASIN: B091BTY1YF. Available from amazon.com as early as Jul. 2, 2021. (Year: 2021).*

(21) Appl. No.: **29/780,481**

* cited by examiner

(22) Filed: **Apr. 25, 2021**

(51) **LOC (13) Cl.** **26-05**

Primary Examiner — Clare E Heffin

(52) **U.S. Cl.**
USPC **D26/67**

(57) **CLAIM**

(58) **Field of Classification Search**
USPC D26/40, 41, 67–70, 85, 8, 11, 19, 22
CPC F21S 8/03; F21S 8/033; F21S 8/036; F21S 8/081; F21S 9/037; F21W 2111/02; F21W 2111/023; F21W 2131/109
See application file for complete search history.

The ornamental design for a torch lamp, as shown and described.

DESCRIPTION

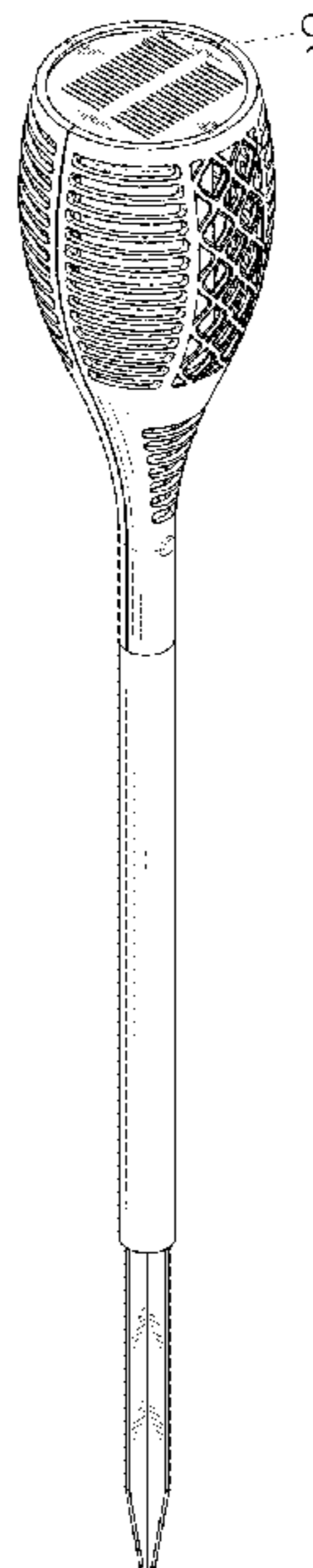
(56) **References Cited**

U.S. PATENT DOCUMENTS

D252,894 S *	9/1979	Hazerjian	D26/67
D816,254 S *	4/2018	Zhang	D26/68
D824,562 S *	7/2018	Chen	D26/68
D843,041 S *	3/2019	Xiao	D26/68
10,323,809 B1 *	6/2019	Dai	F21S 8/081
D862,761 S *	10/2019	Li	D26/68
D866,038 S *	11/2019	Zhang	D26/68
D875,291 S	2/2020	Liu		
D895,876 S	9/2020	Tang		
D897,593 S	9/2020	Ng et al.		
D903,173 S *	11/2020	Zhu	D26/41
D906,564 S *	12/2020	Wu	D26/67
2012/0069581 A1 *	3/2012	Chen	F21V 21/0824 362/311.14
2018/0209594 A1 *	7/2018	Parisi	F21L 4/00
2020/0263856 A1 *	8/2020	Ko	F21V 15/02

FIG. 1 is a first perspective view of a torch lamp showing my new design;
FIG. 2 is a second perspective view thereof;
FIG. 3 is a front view thereof;
FIG. 4 is a back view thereof;
FIG. 5 is a left side view thereof;
FIG. 6 is a right side view thereof;
FIG. 7 is a top view thereof;
FIG. 8 is a bottom view thereof;
FIG. 9 is an enlarged view of the selected portion in FIG. 1;
FIG. 10 is an enlarged view of the selected portion in FIG. 7; and,
FIG. 11 is an enlarged view of the selected portion in FIG. 8.
The broken lines shown in the drawings depict portions of the torch lamp in which the design is embodied that form no part of the claimed design.

1 Claim, 11 Drawing Sheets



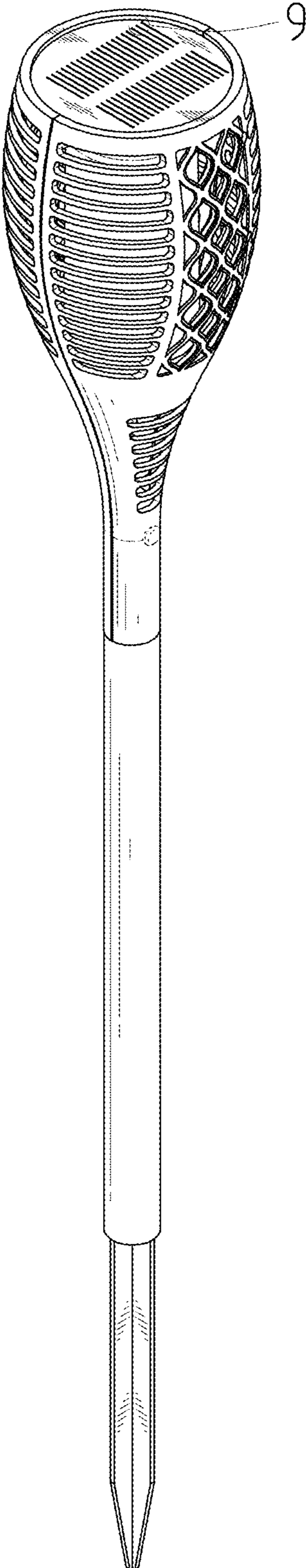


FIG. 1

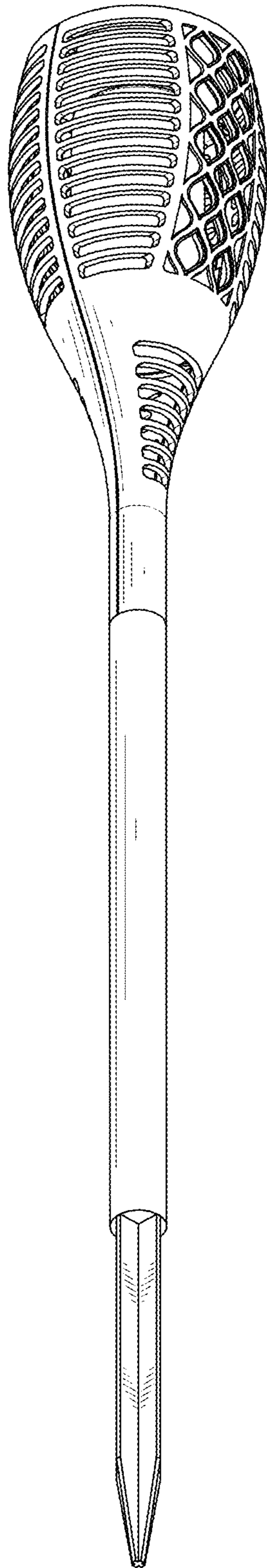


FIG. 2

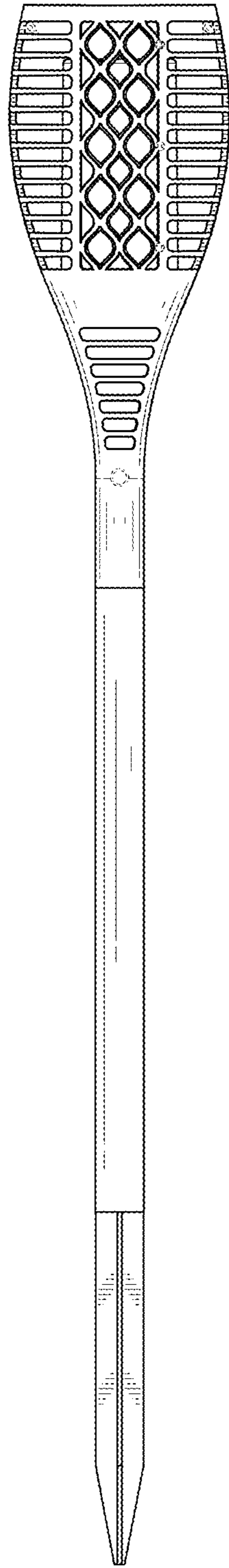


FIG. 3

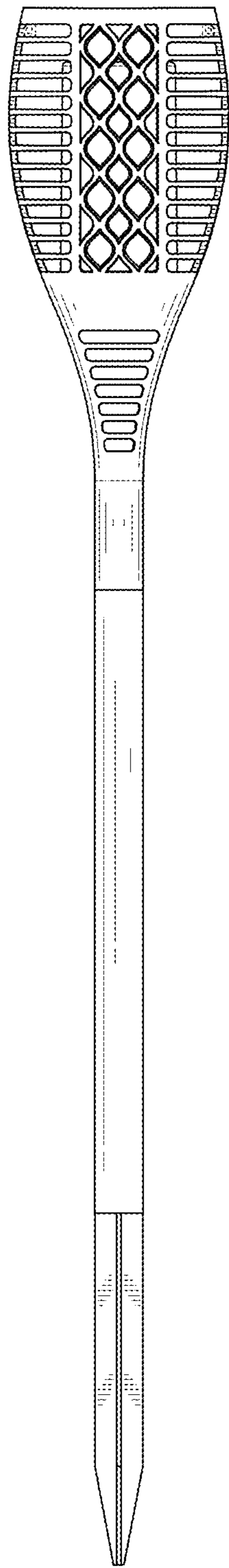


FIG. 4

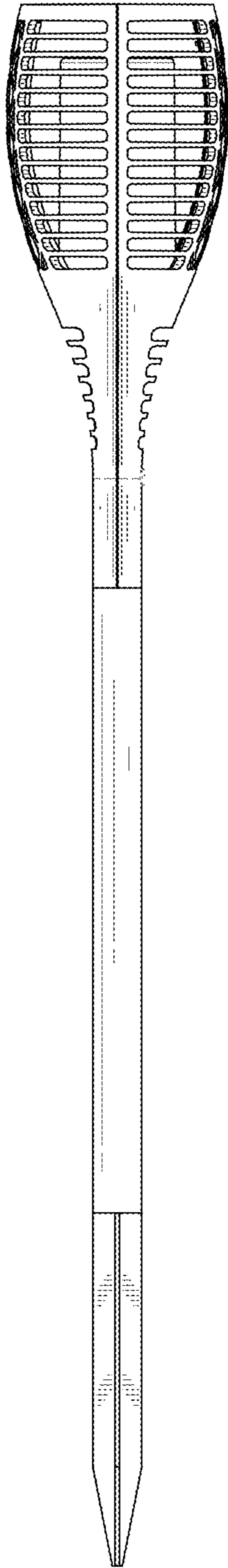


FIG. 5

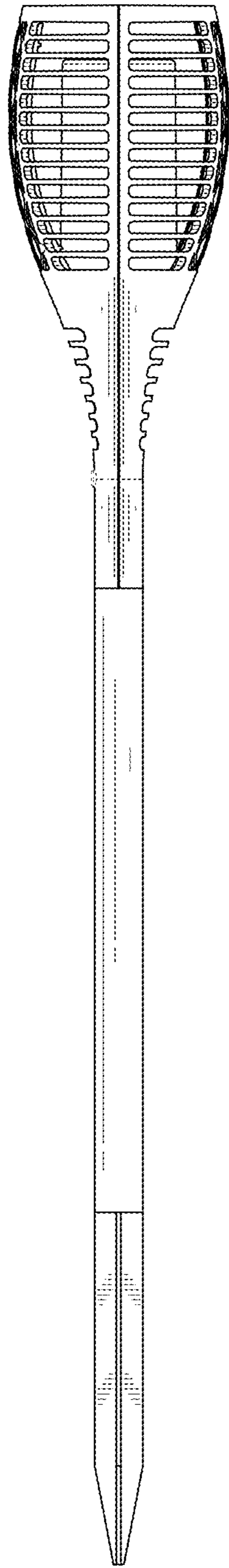


FIG. 6

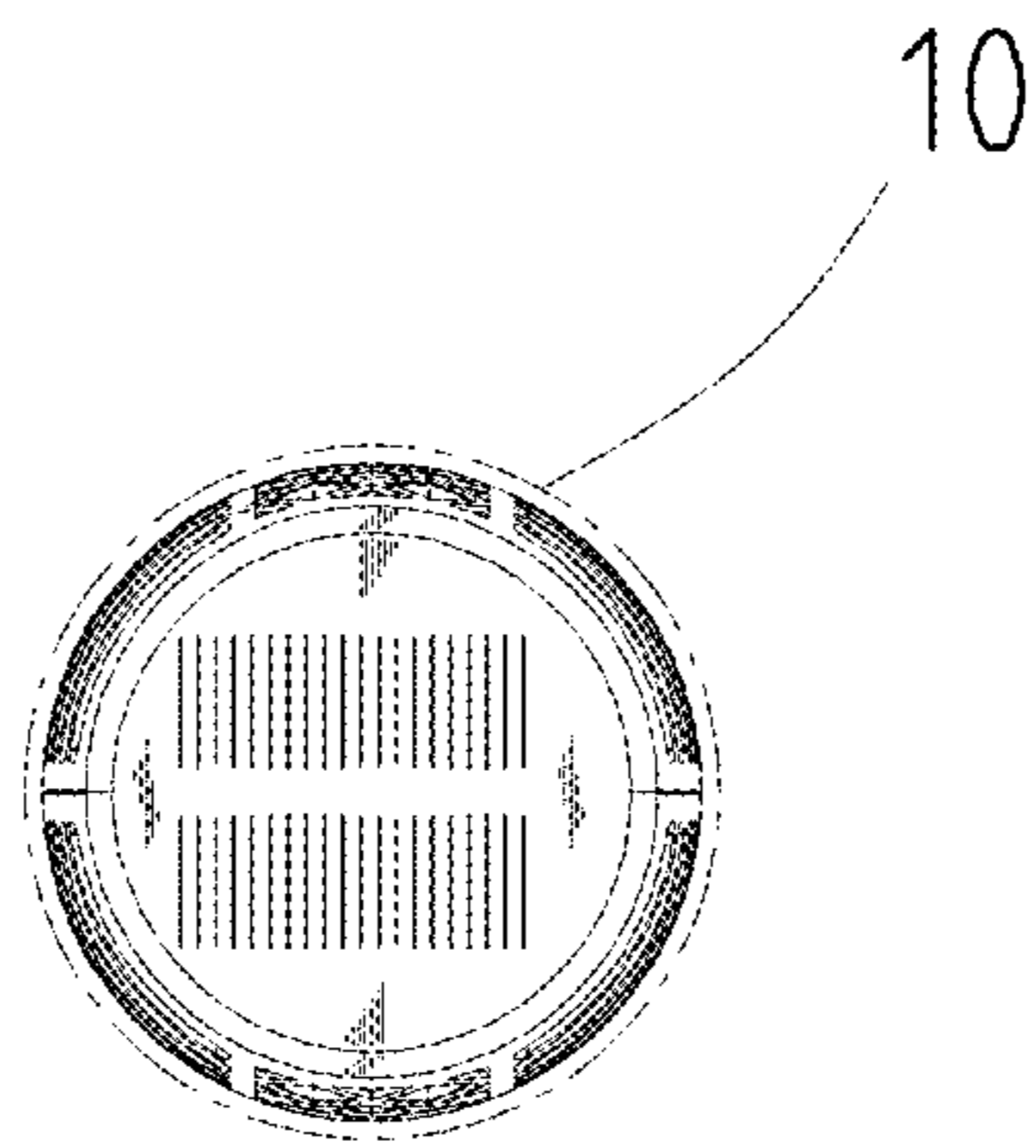


FIG. 7

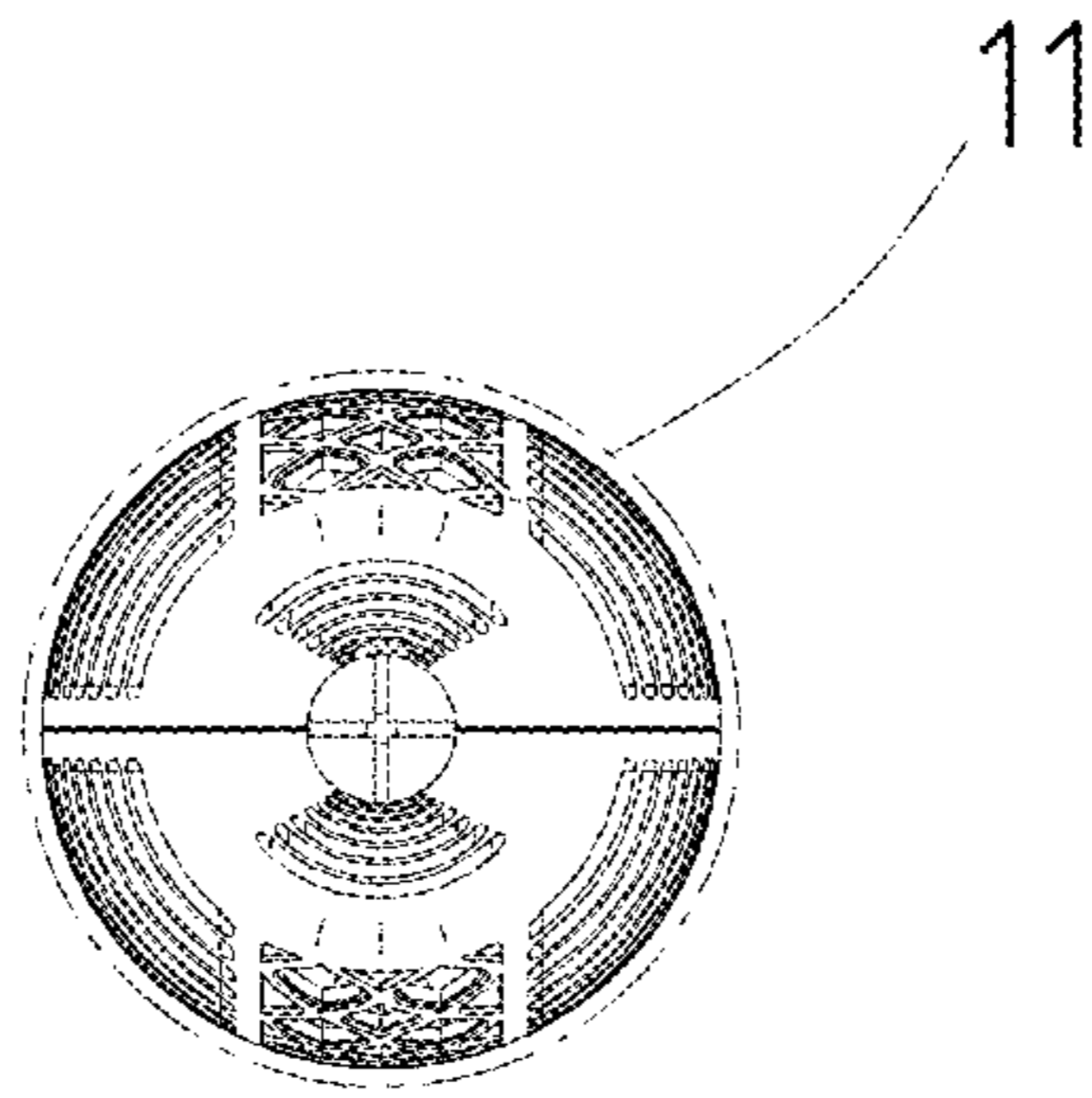


FIG. 8

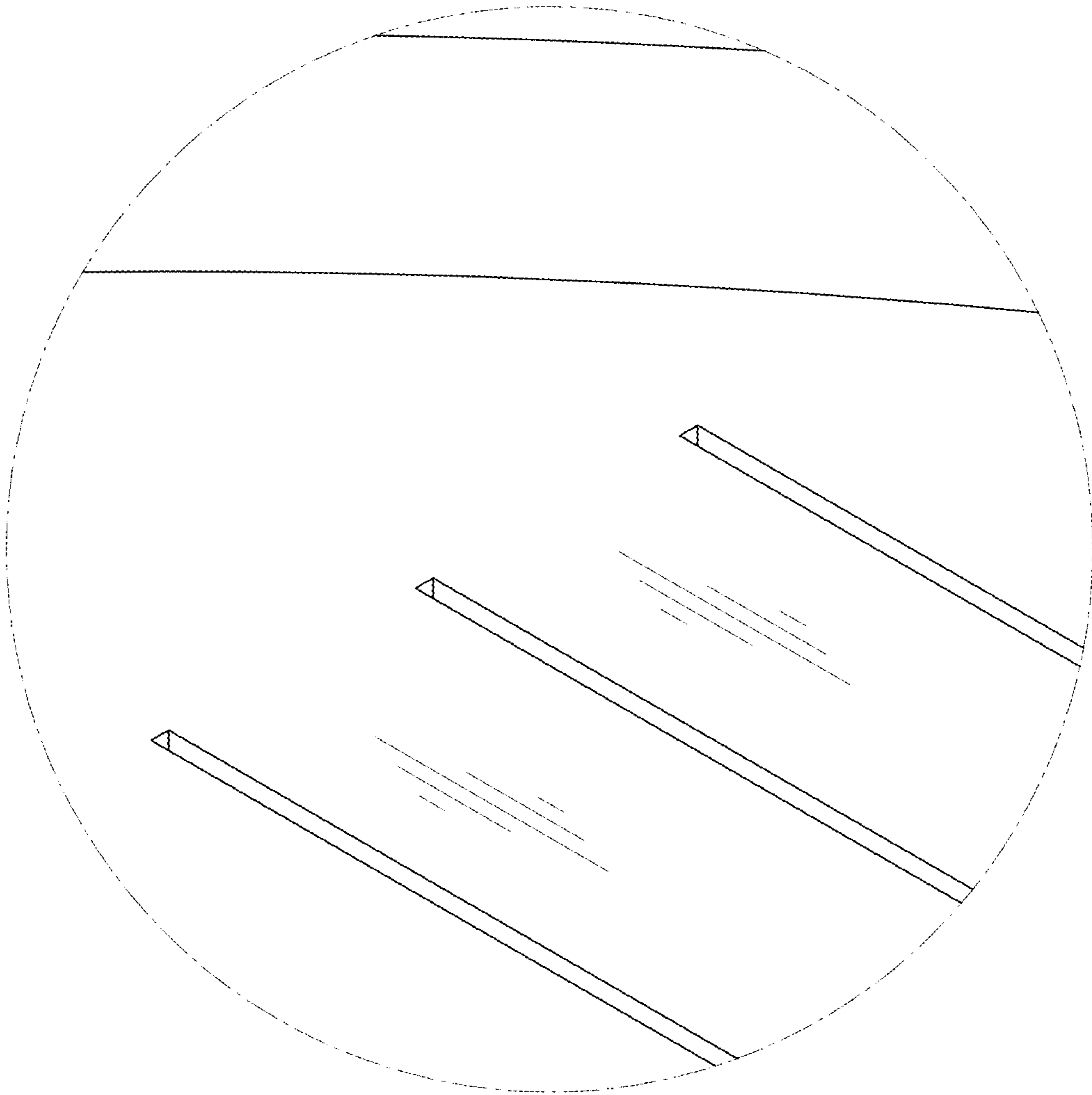


FIG. 9

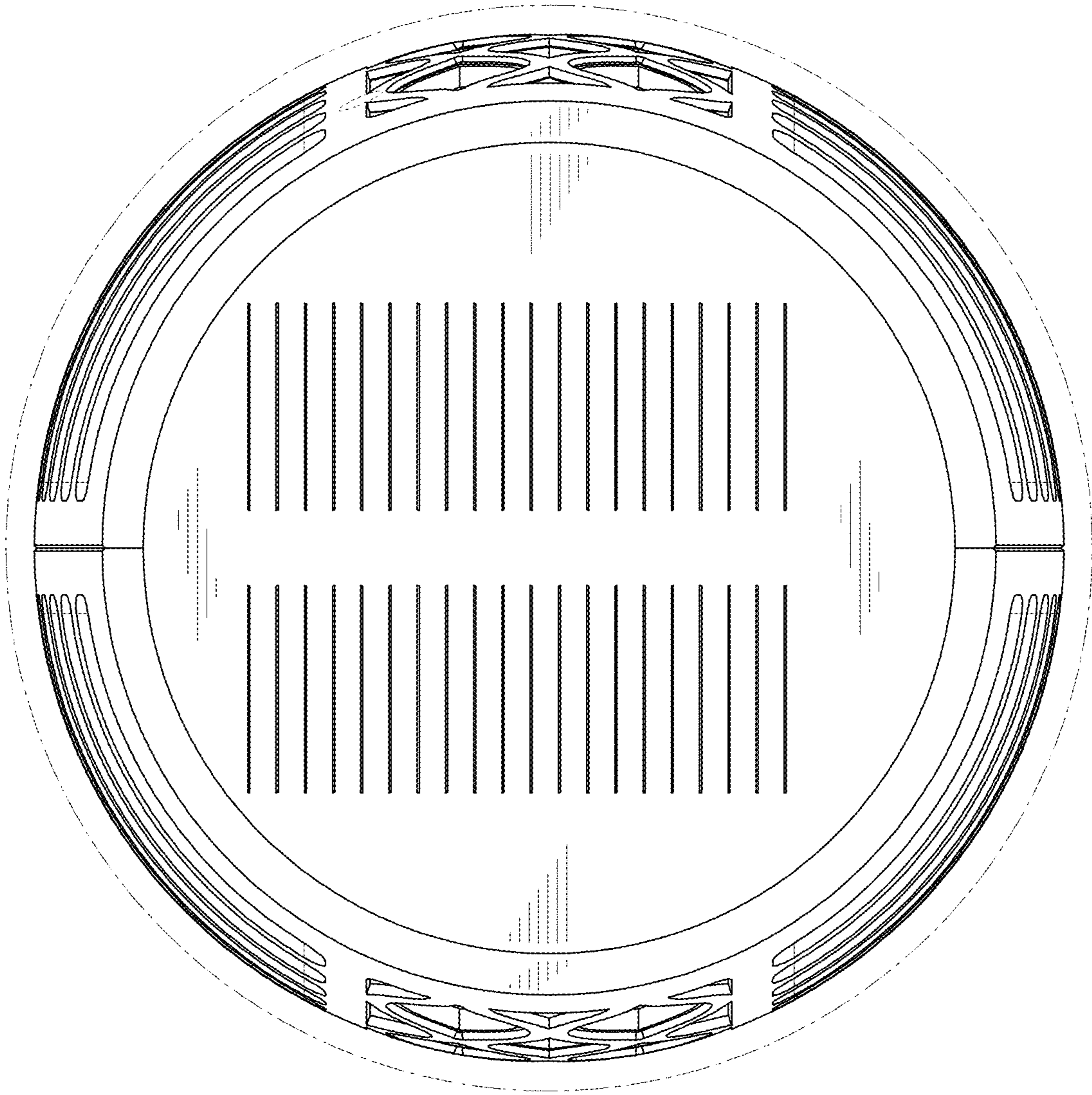


FIG. 10

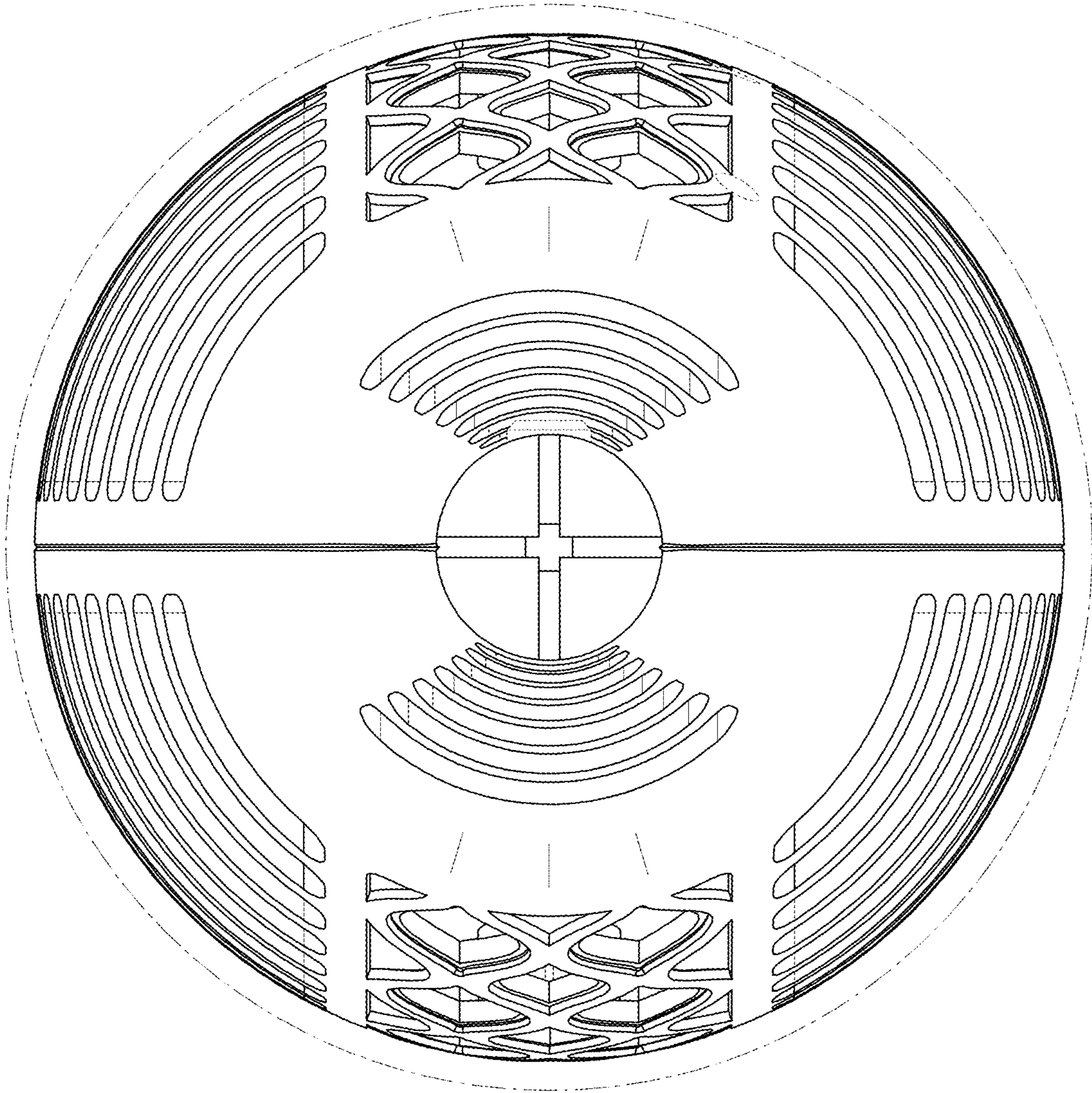


FIG. 11