



US00D964624S

(12) **United States Design Patent** (10) **Patent No.:** **US D964,624 S**
Li (45) **Date of Patent:** **** Sep. 20, 2022**

(54) **SOLAR DOCK LIGHT**
(71) Applicant: **Shuai Li**, Henan (CN)
(72) Inventor: **Shuai Li**, Henan (CN)
(**) Term: **15 Years**

D905,890 S * 12/2020 Liu D26/74
D925,803 S * 7/2021 Zhong D26/67
D930,878 S * 9/2021 Nobes D26/72
D942,662 S * 2/2022 Wang D10/113.1
D950,822 S * 5/2022 Hollinger D26/63
2005/0025570 A1* 2/2005 Snagel E01F 9/553
404/16

(21) Appl. No.: **29/764,393**
(22) Filed: **Dec. 30, 2020**
(51) **LOC (13) Cl.** **25-03**
(52) **U.S. Cl.**
USPC **D26/67**
(58) **Field of Classification Search**
USPC D26/67, 72, 74, 85; D10/113.1
CPC F21S 8/03; F21S 8/022; F21S 8/032; F21S
8/033; F21S 9/02; F21S 9/03; F21S
9/037; F21W 2111/023; F21W 2111/27;
F21W 2131/103; F21V 17/12
See application file for complete search history.

OTHER PUBLICATIONS

VOLISUN Solar Dock Light. First available Apr. 6, 2021. Searched May 4, 2022. [https://www.amazon.com/VOLISUN-Driveway-Wireless-Waterproof-Sidewalk/dp/B091TGQ24Y/] (Year: 2021).*
Jiguoor, Solar Deck Light. First available Sep. 13, 2018. Searched May 4, 2022. [https://www.amazon.com/JIGUOOR-Driveway-Lights-Outdoor-Waterproof/dp/B0793NW6PT/] (Year: 2018).*
Sunrider, Solar Deck Light. First available Feb. 11, 2022. Searched May 4, 2022. [https://www.amazon.com/dp/B09H5SBYTT/] (Year: 2022).*

* cited by examiner

Primary Examiner — Samantha Q Lawrence
Assistant Examiner — Melissa Adriane Santos

(56) **References Cited**
U.S. PATENT DOCUMENTS

(57) **CLAIM**

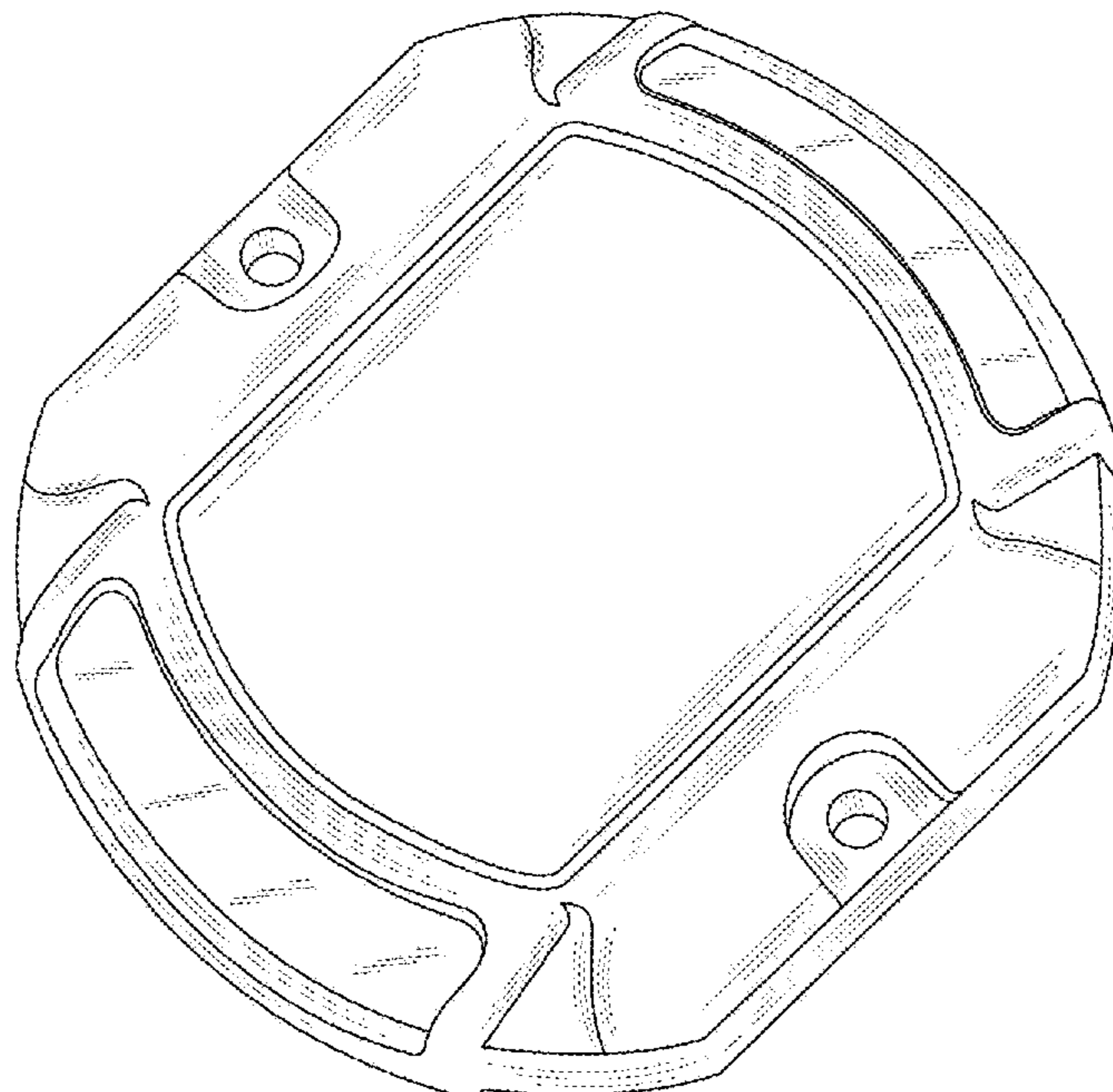
The ornamental design for a solar dock light, as shown and described.

D237,159 S * 10/1975 Schaefer D10/113.1
D339,080 S * 9/1993 Gartlacher D10/113.1
D360,601 S * 7/1995 Weid D10/113.1
D388,353 S * 12/1997 Desborough D10/113.1
D422,523 S * 4/2000 Weid D10/113.1
D565,447 S * 4/2008 Horng D10/113.1
D569,755 S * 5/2008 Humble D10/113.1
D642,722 S * 8/2011 Oberpriller D26/72
8,054,186 B1 * 11/2011 Ray A01M 29/18
340/573.2
D696,727 S * 12/2013 Kim D21/341
D822,253 S * 7/2018 Wu D26/68
D885,631 S * 5/2020 Li D26/67
D905,313 S * 12/2020 Liao D26/67
D905,887 S * 12/2020 Li D26/67

DESCRIPTION

FIG. 1 is a front perspective view of a solar dock light showing my new design;
FIG. 2 is a rear perspective view thereof;
FIG. 3 is a front elevation view thereof;
FIG. 4 is a rear elevation view thereof;
FIG. 5 is a left side elevation view thereof;
FIG. 6 is a right side elevation view thereof;
FIG. 7 is a top plan view thereof; and,
FIG. 8 is a bottom plan view thereof.

1 Claim, 8 Drawing Sheets



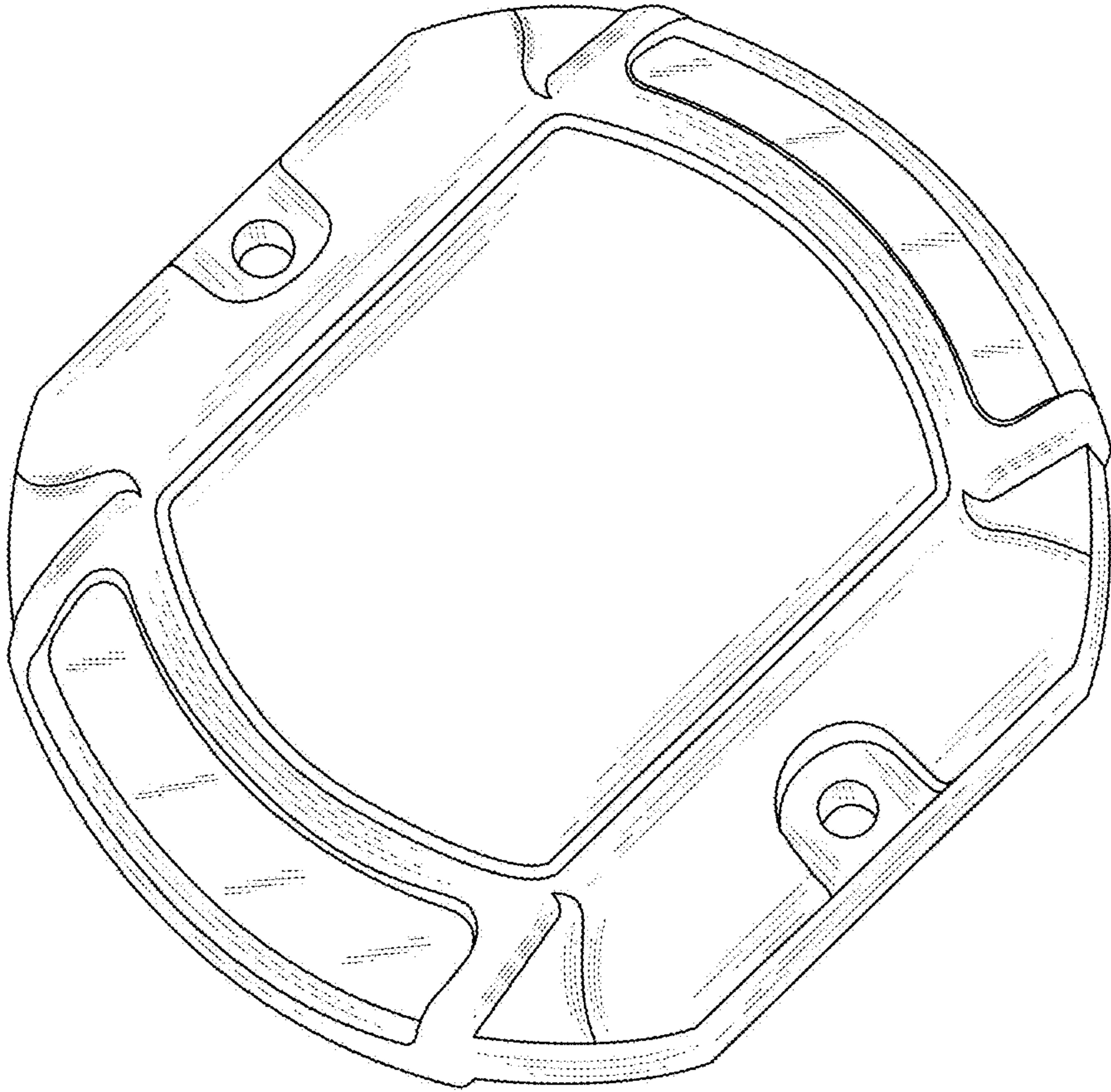


FIG.1

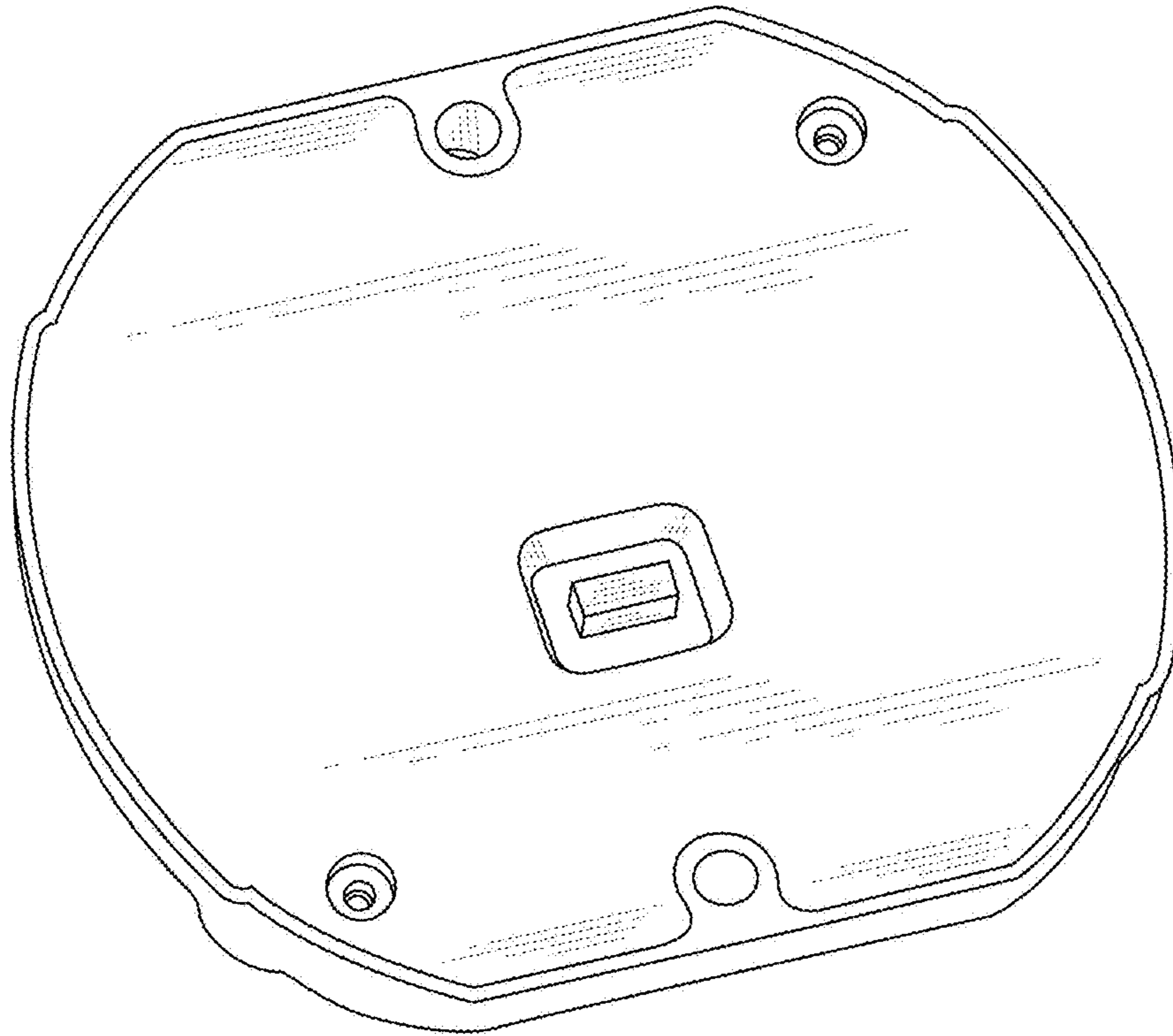


FIG.2

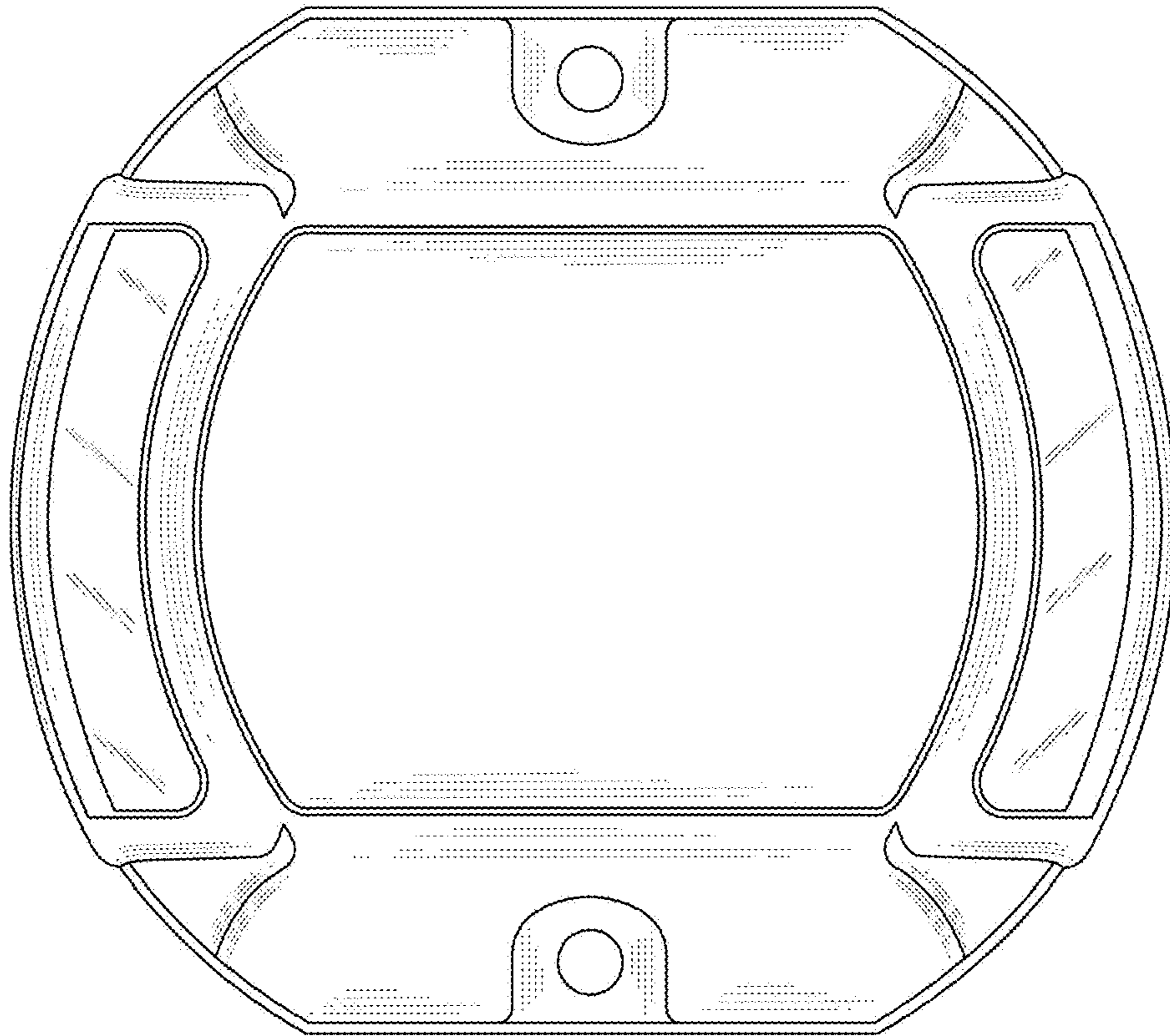


FIG.3

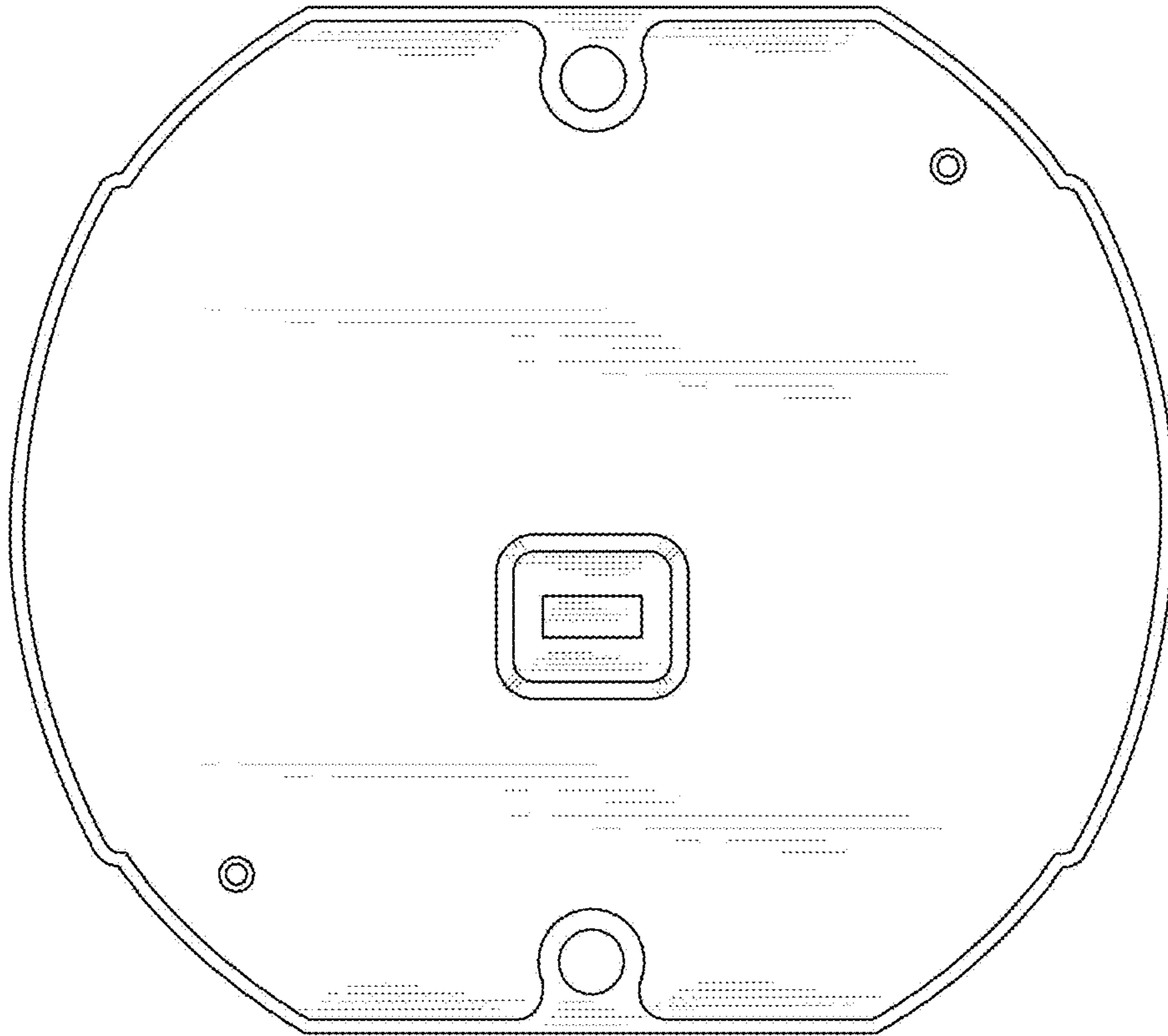


FIG.4

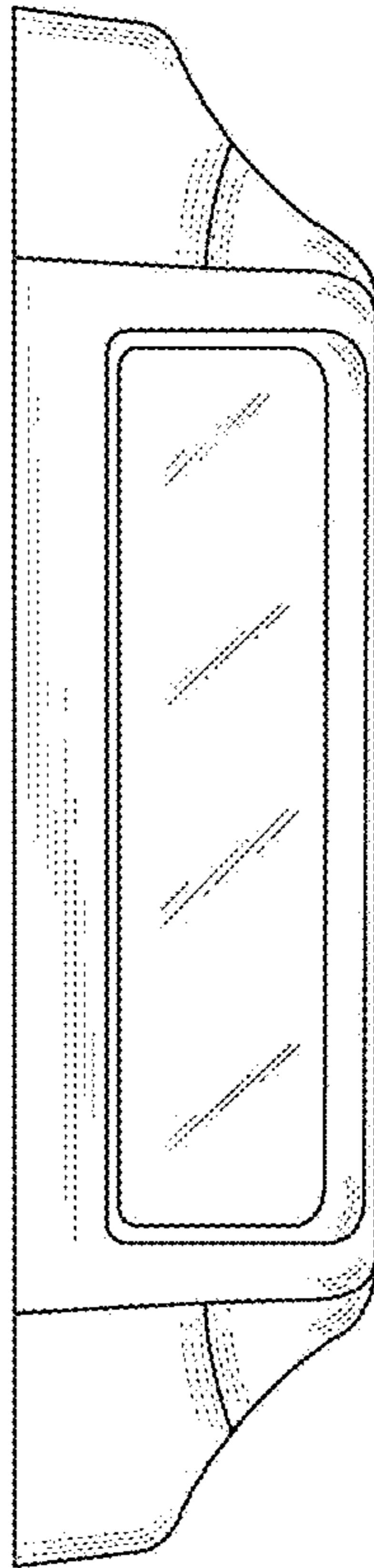


FIG.5

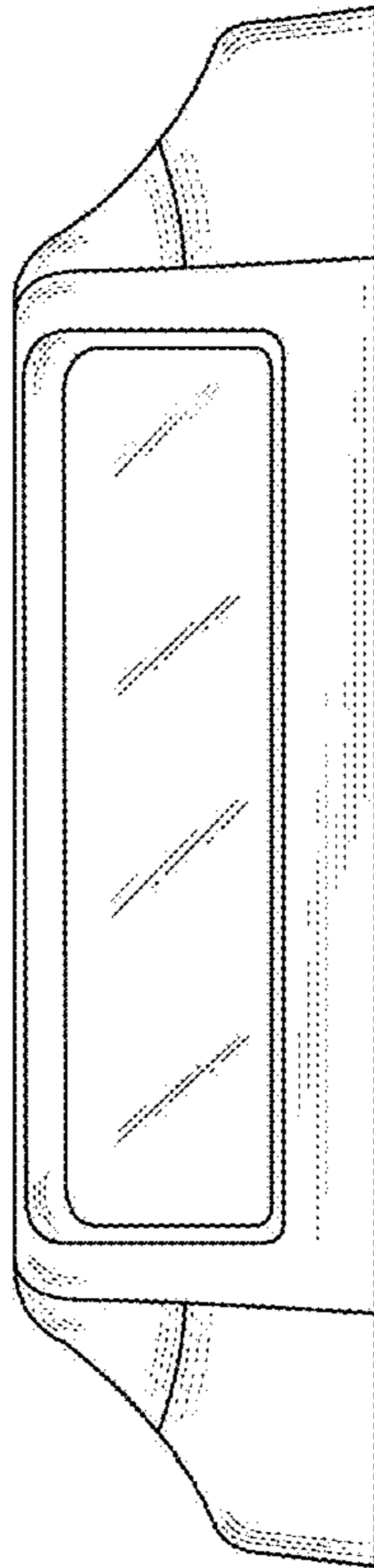


FIG.6

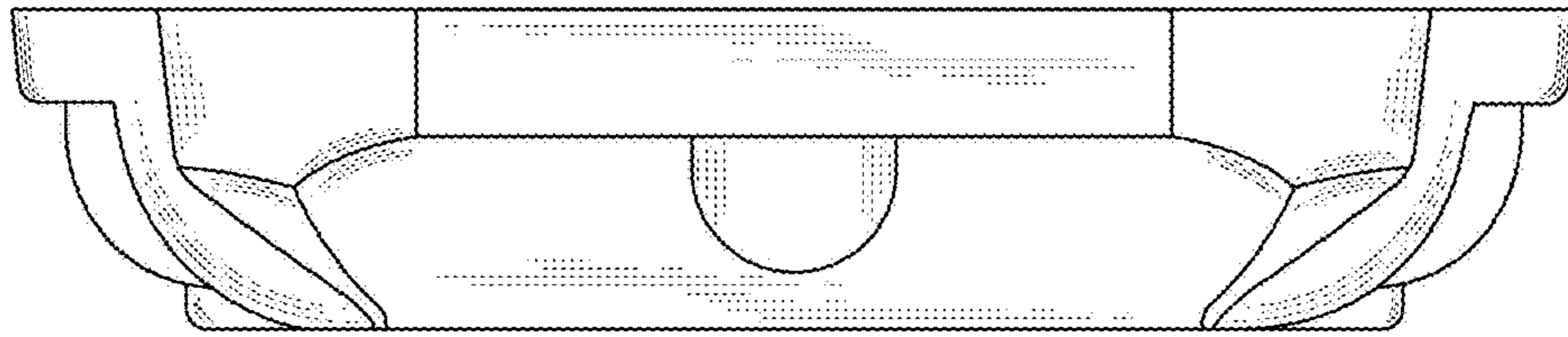


FIG. 7

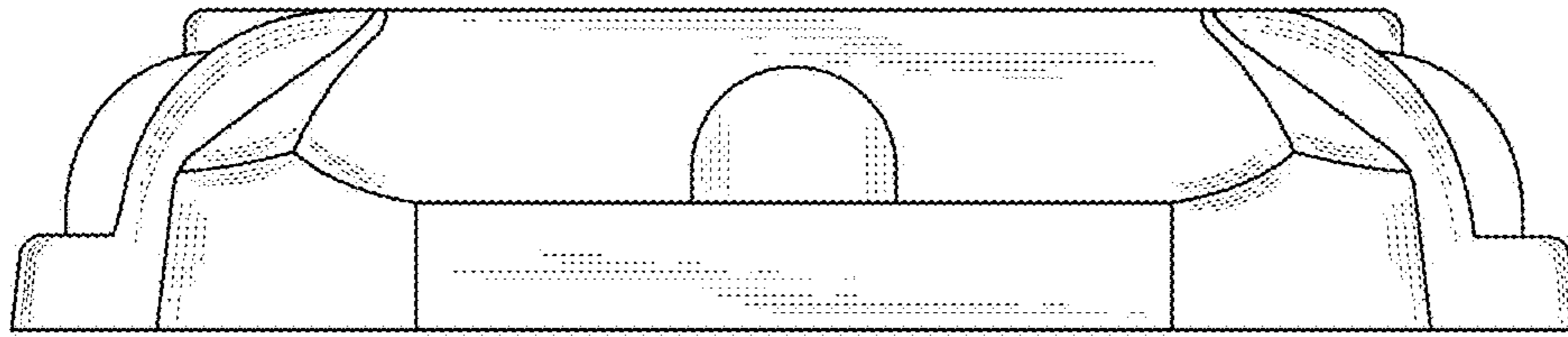


FIG. 8