



US00D964622S

(12) **United States Design Patent** (10) **Patent No.:** **US D964,622 S**
Wu (45) **Date of Patent:** **** Sep. 20, 2022**

(54) **GARAGE LAMP**

FOREIGN PATENT DOCUMENTS

(71) Applicant: **Bifang Wu**, Suixi (CN)

CN 202030141639.8 * 8/2020

(72) Inventor: **Bifang Wu**, Suixi (CN)

OTHER PUBLICATIONS

(**) Term: **15 Years**

Amazon, "LED Garage Lights, POLARPRA", first available Nov. 8, 2020. (<https://www.amazon.com/dp/B095GYTFFL>) (Year: 2020).*
Amazon, "LED Garage Light, Alicosoty", first available May 30, 2021. (<https://www.amazon.com/dp/B0925BXMZT/>) (Year: 2021).*

(21) Appl. No.: **29/779,276**

(Continued)

(22) Filed: **Apr. 19, 2021**

(51) **LOC (13) Cl.** **26-05**

(52) **U.S. Cl.**
USPC **D26/63**

(58) **Field of Classification Search**
USPC D26/1, 2, 3, 24, 26, 63, 65, 72
CPC F21L 2/00; F21S 2/00; F21S 8/00; F21S 8/003; F21S 8/026; F21S 8/037
See application file for complete search history.

Primary Examiner — Lauren D McVey
Assistant Examiner — Justin A Johnson

(57) **CLAIM**

The ornamental design for a garage lamp, as shown and described.

DESCRIPTION

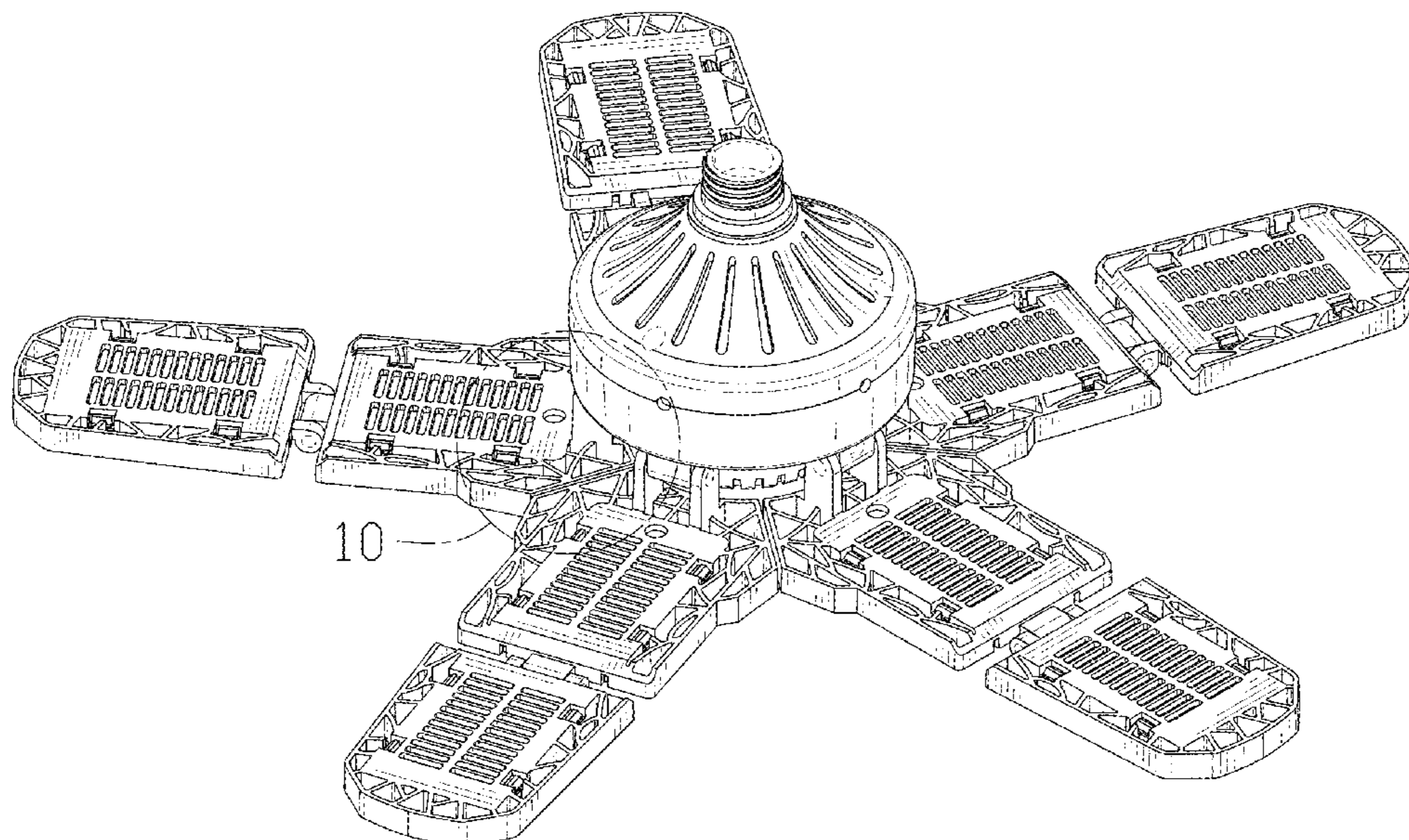
(56) **References Cited**

U.S. PATENT DOCUMENTS

D613,443 S *	4/2010	Chen	F21V 23/006	D26/70
D788,347 S *	5/2017	Evenson	D26/88	
D816,258 S	4/2018	Zhu			
D885,629 S	5/2020	Liu			
D885,630 S	5/2020	Lin			
D895,170 S *	9/2020	Zhang	D26/2	
D908,250 S *	1/2021	Xu	D26/2	
D916,347 S *	4/2021	Liu	D26/63	
D917,089 S *	4/2021	Rajasekaran	F21K 9/232	D26/63
D918,454 S *	5/2021	Liu	D26/63	
D919,154 S *	5/2021	Zhou	D26/63	
D919,869 S *	5/2021	Yang	D26/63	
D919,870 S *	5/2021	Li	F21K 9/232	D26/63
D923,228 S *	6/2021	Ye	D26/63	
D925,086 S *	7/2021	Ma	D26/63	
2014/0307431 A1 *	10/2014	Santashev	F21V 23/006	362/235

FIG. 1 is a first perspective view of a garage lamp showing my new design;
FIG. 2 is a second perspective view thereof;
FIG. 3 is a front view thereof;
FIG. 4 is a back view thereof;
FIG. 5 is a left side view thereof;
FIG. 6 is a right side view thereof;
FIG. 7 is a top view of thereof;
FIG. 8 is a bottom view thereof;
FIG. 9 is a perspective view of another state of the garage lamp thereof;
FIG. 10 is an enlarged view of the selected portion in FIG. 1; and,
FIG. 11 is an enlarged view of the selected portion in FIG. 2.
The broken lines shown in the drawings depict portions of the garage lamp in which the design is embodied that form no part of the claimed design.

1 Claim, 11 Drawing Sheets



(56)

References Cited

OTHER PUBLICATIONS

Amazon, "Garage Led Light 180W", first available Jun. 3, 2021.
(<https://www.amazon.com/dp/B096KLXZBZ/>) (Year: 2021).*

Amazon, "Led Garage Light, AgoKud", first available Jan. 12,
2021. (<https://www.amazon.com/dp/B08SQMZ78J/>) (Year: 2021).*

* cited by examiner

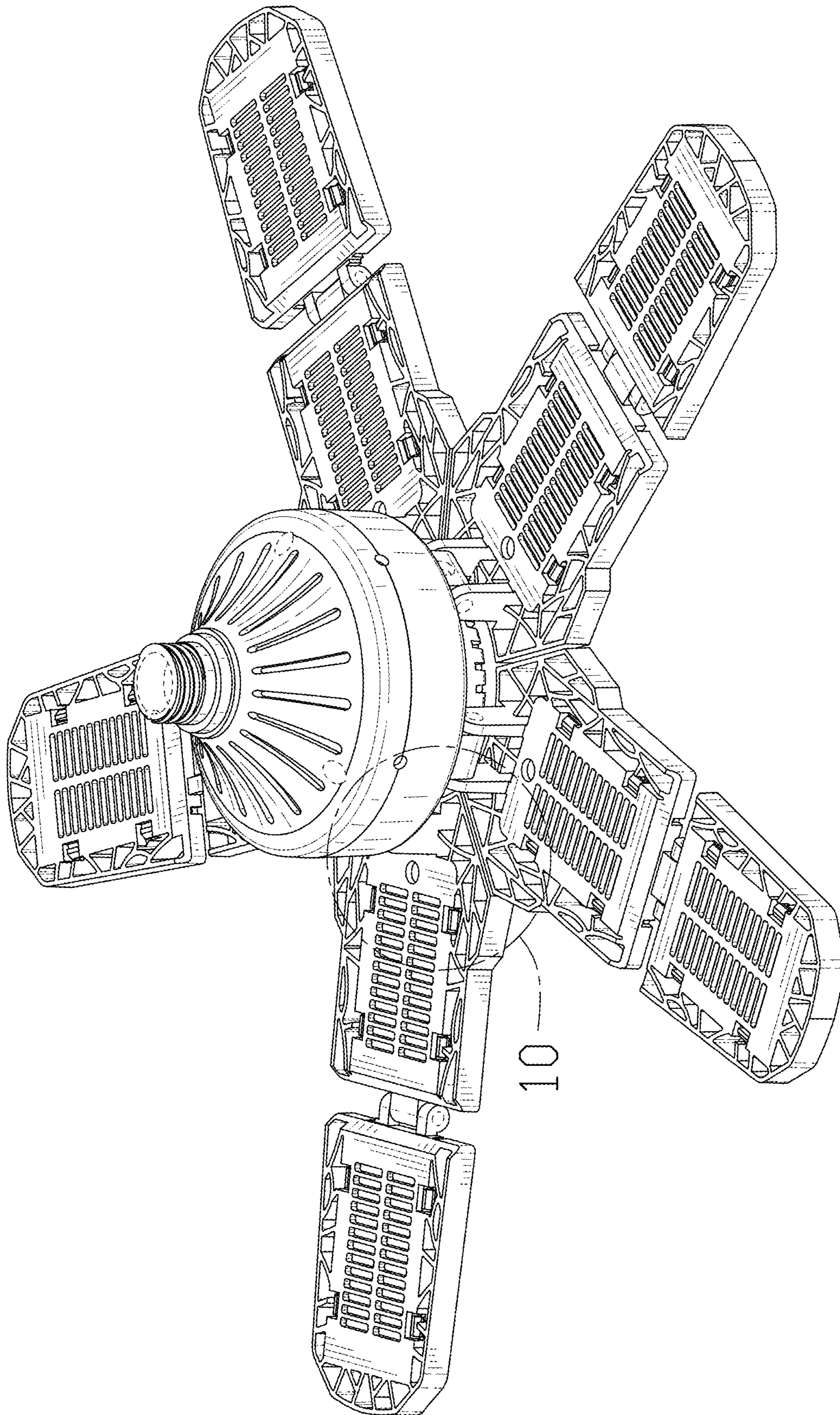


FIG. 1

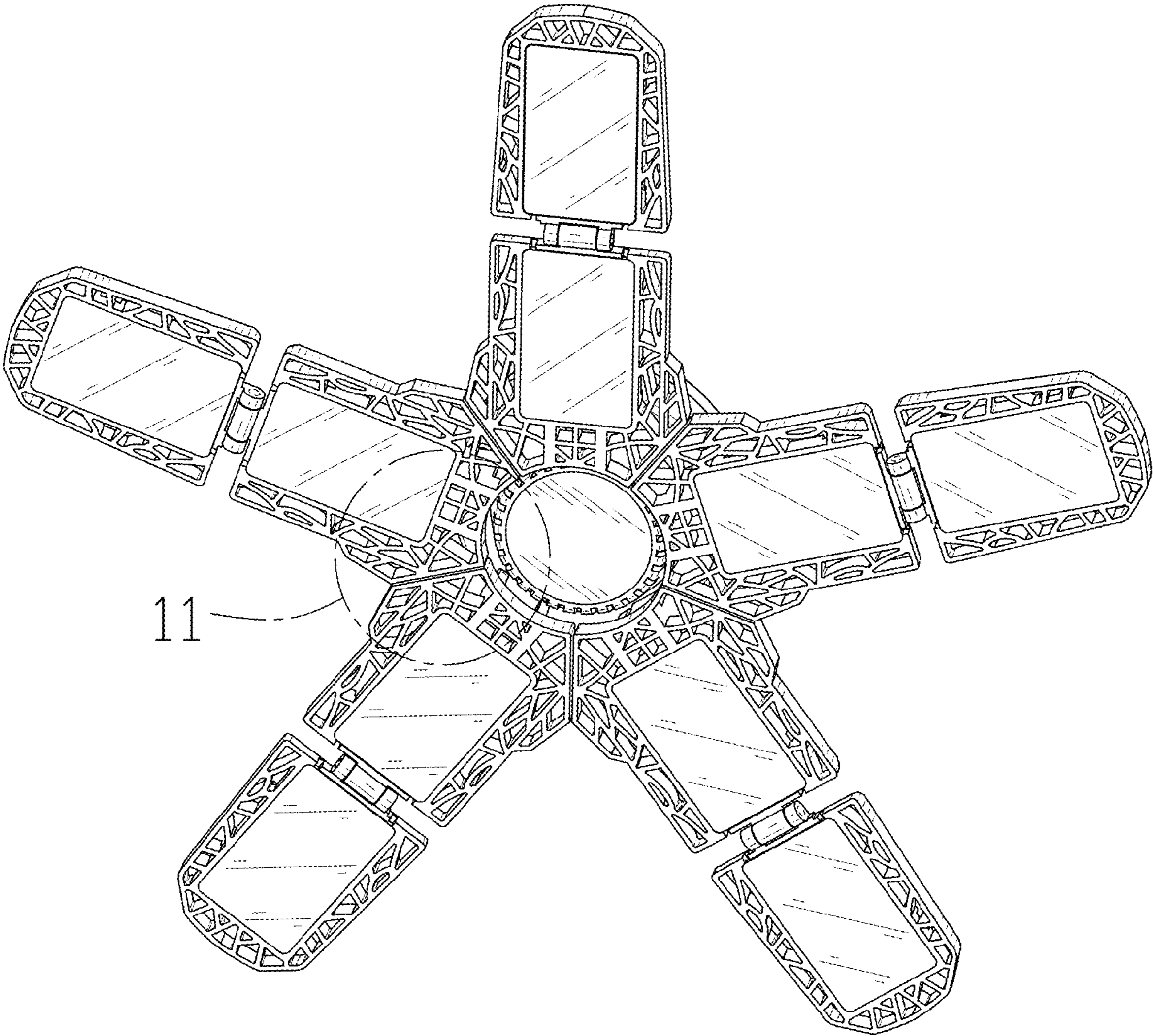


FIG. 2

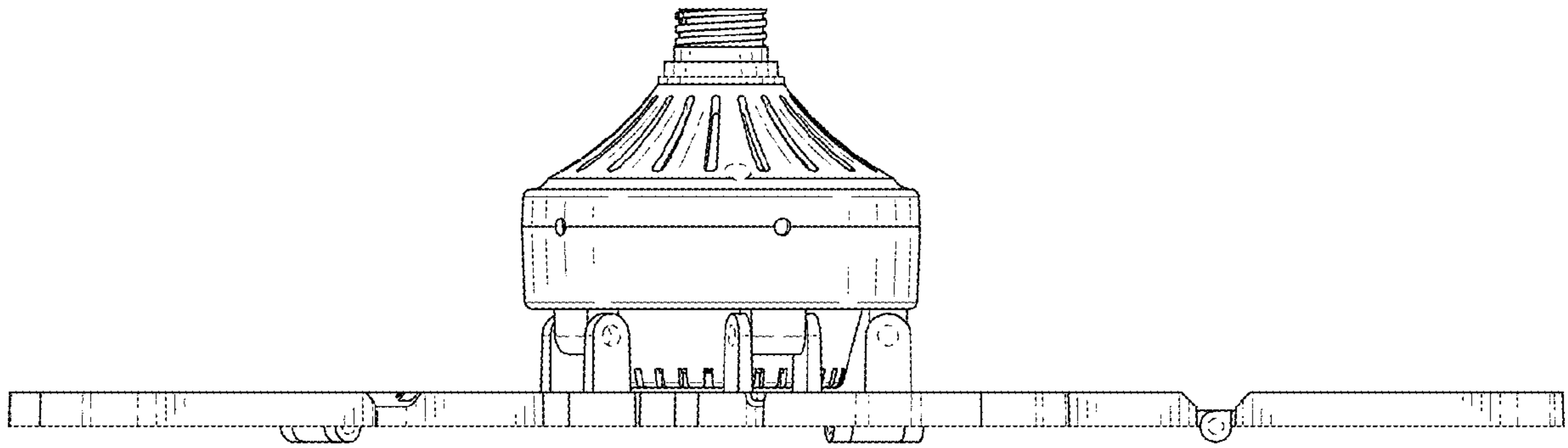


FIG. 3

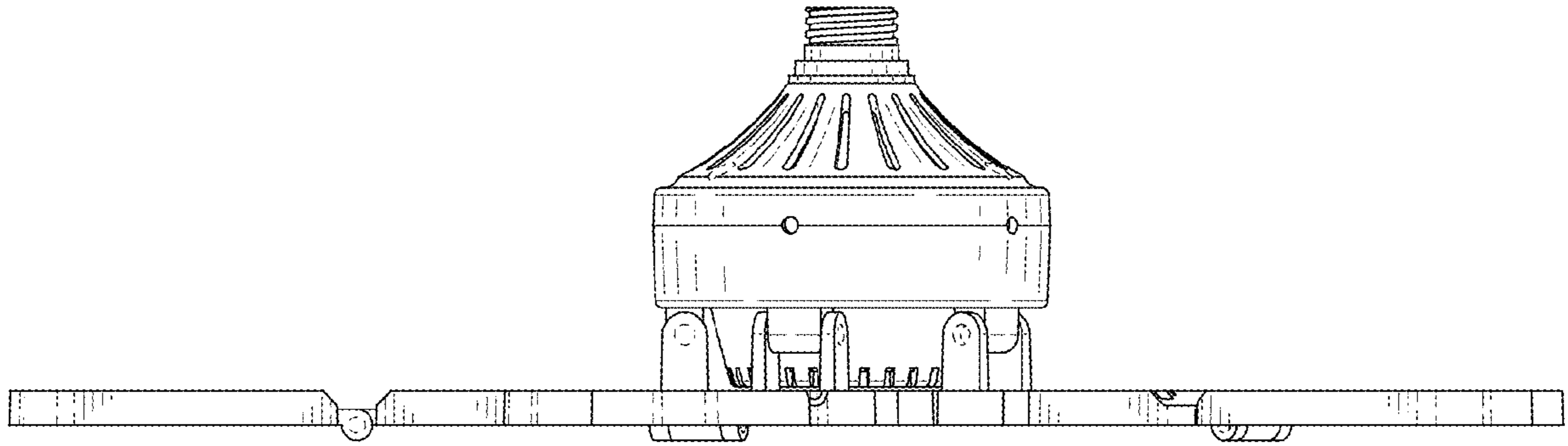


FIG. 4

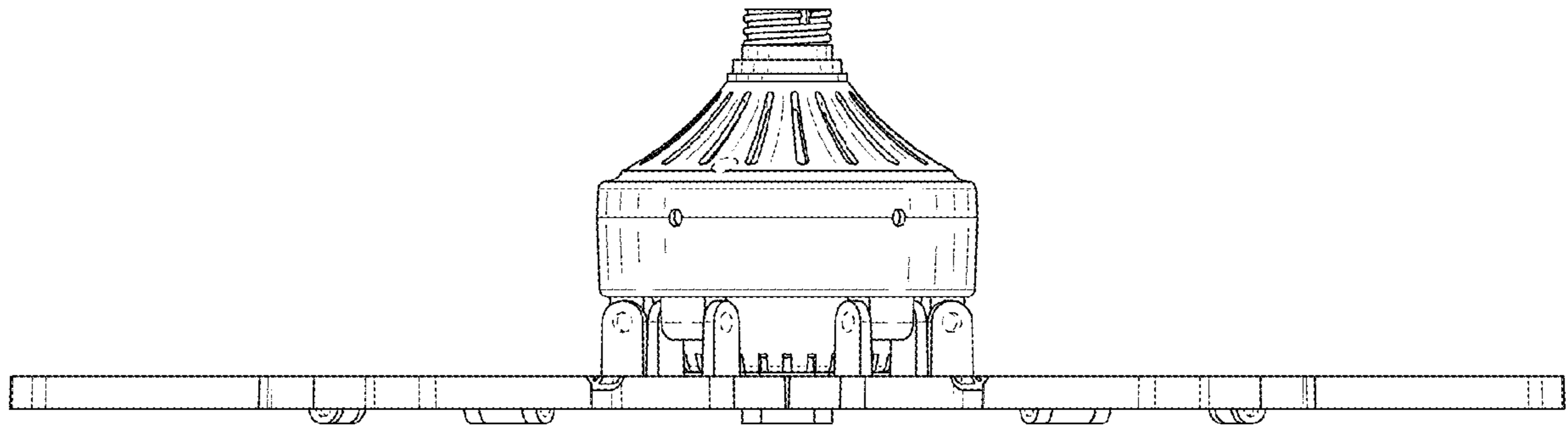


FIG. 5

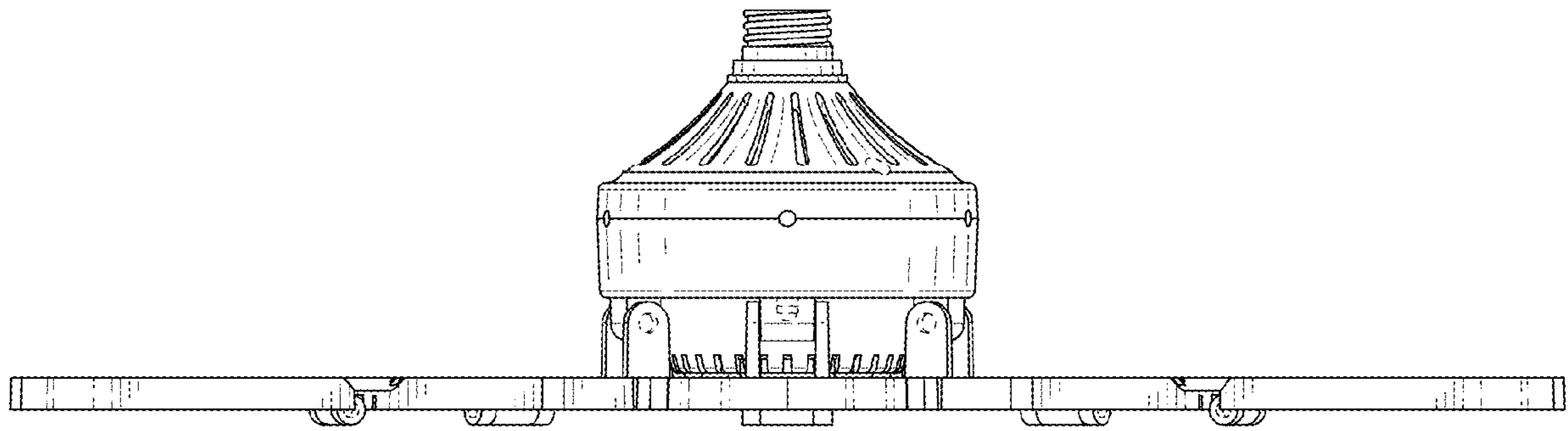


FIG. 6

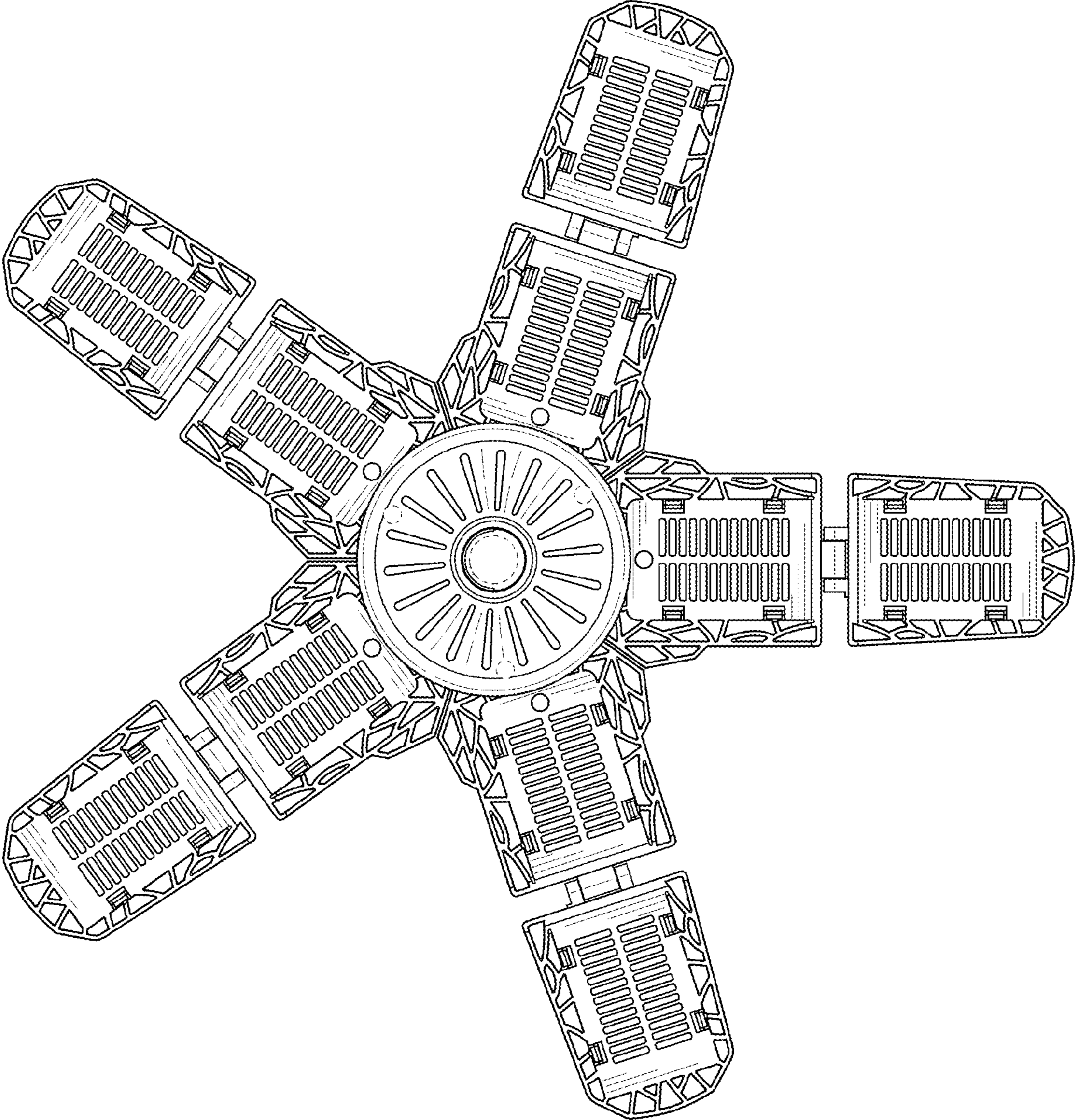


FIG. 7

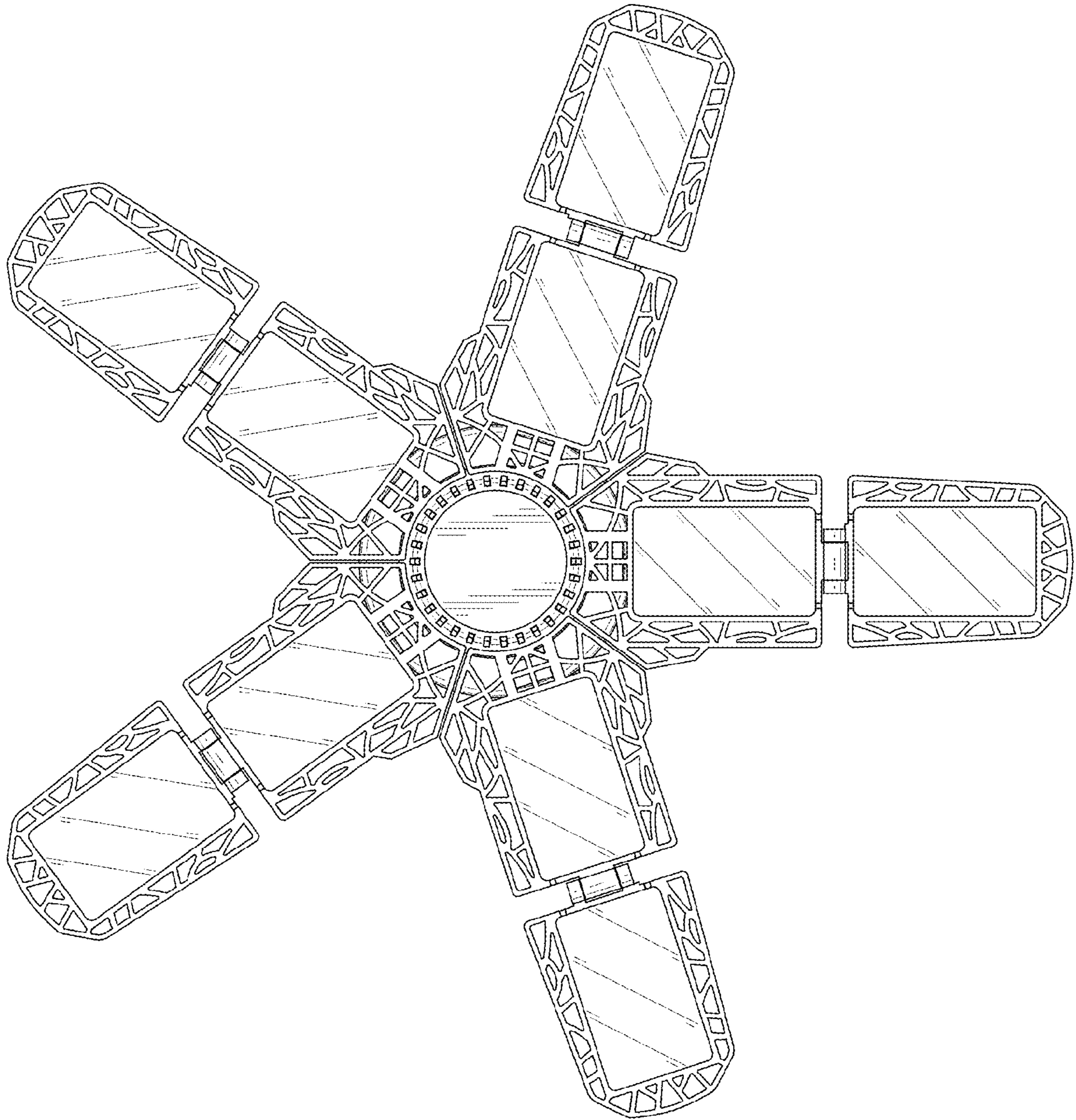


FIG. 8

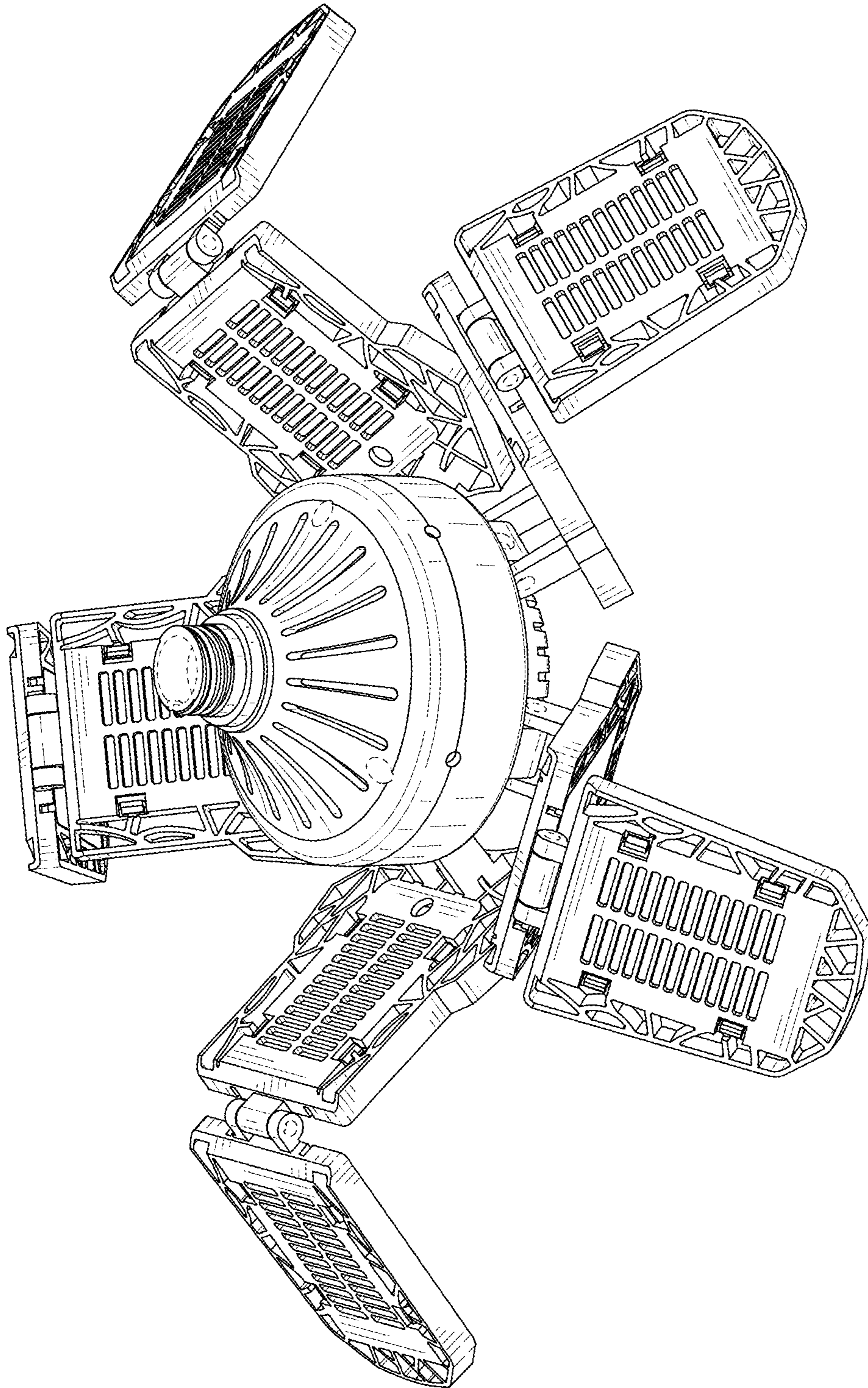


FIG. 9

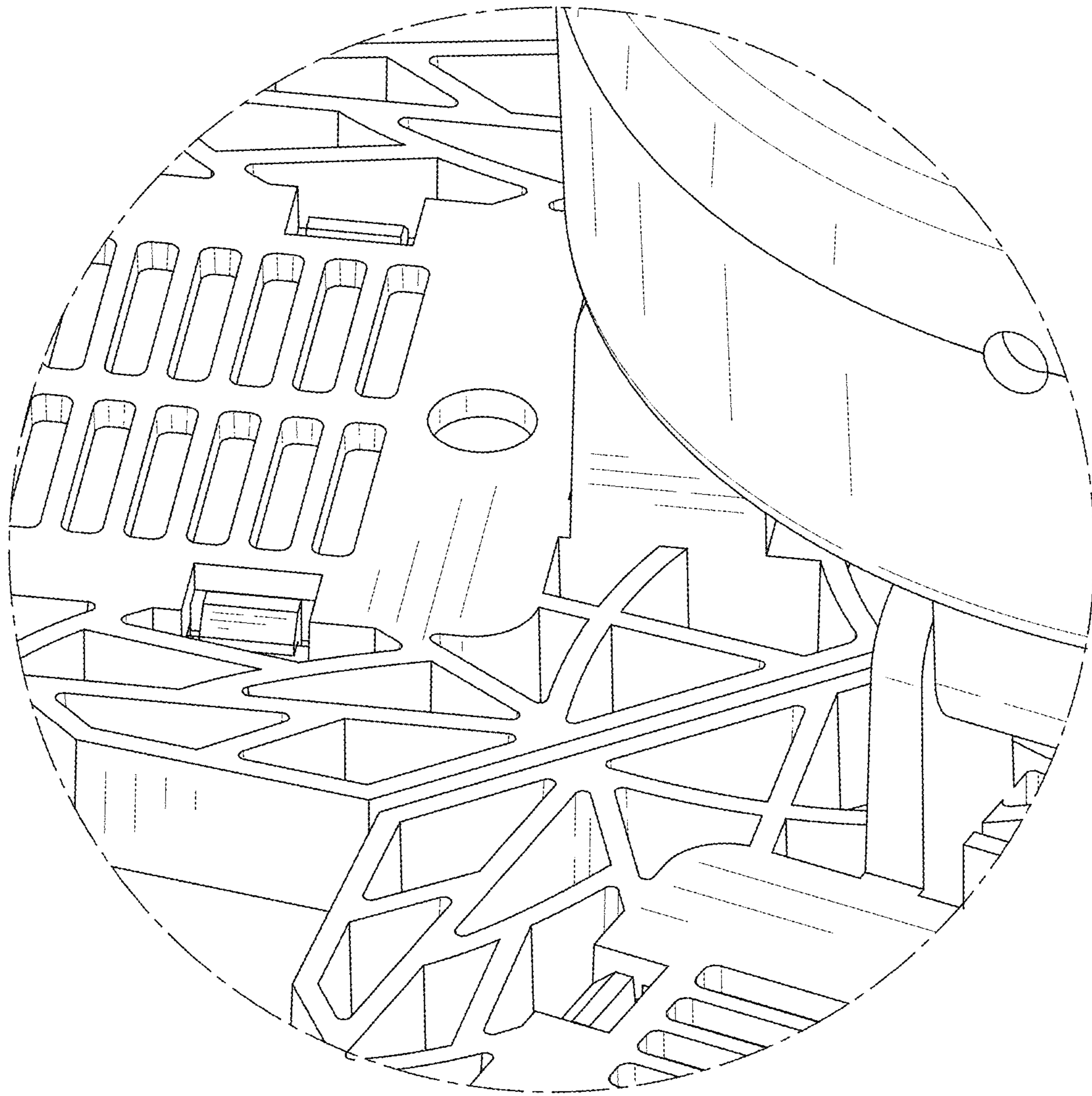


FIG. 10

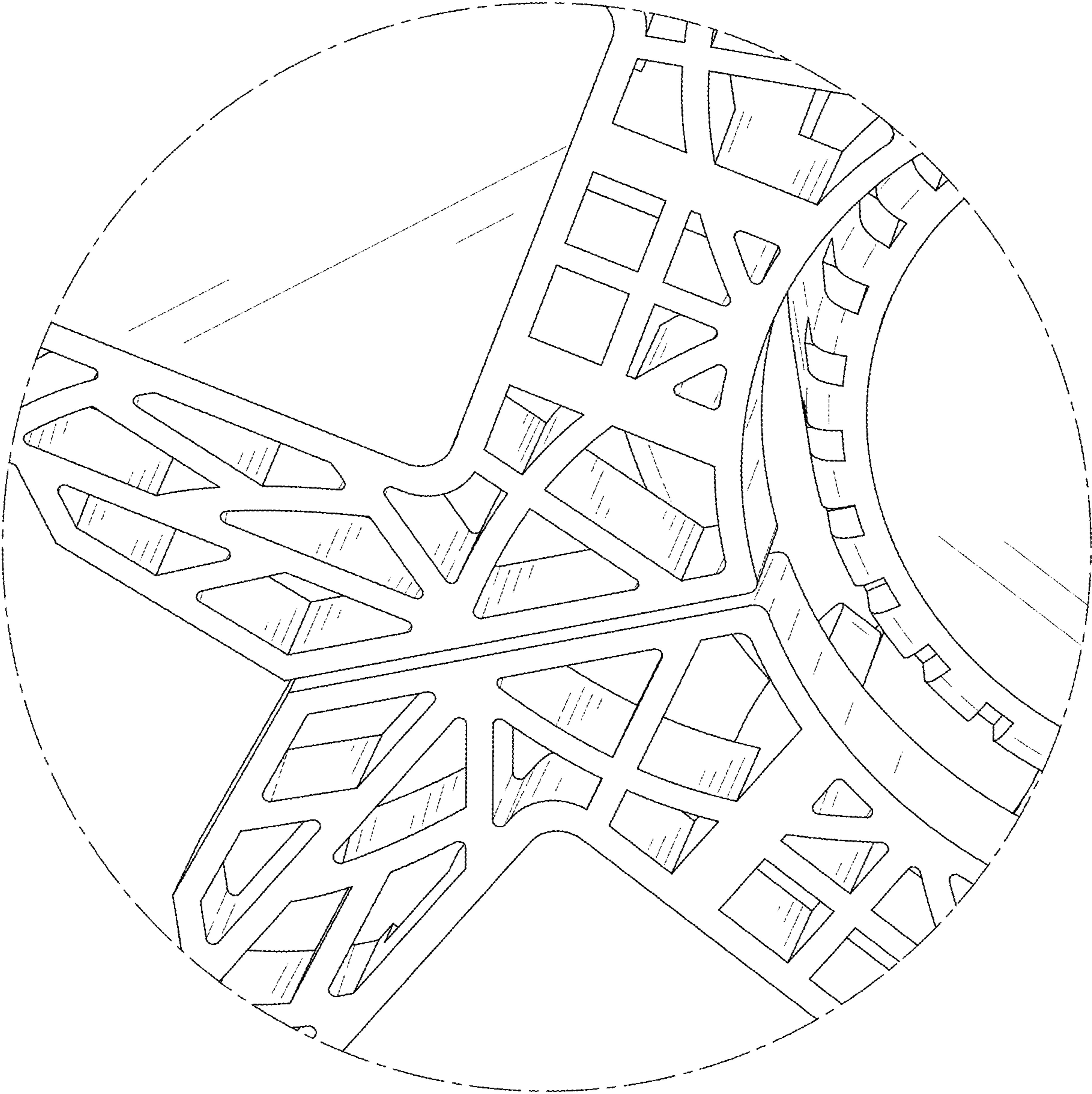


FIG. 11