



US00D964621S

(12) **United States Design Patent**
Zeng et al.

(10) **Patent No.:** **US D964,621 S**

(45) **Date of Patent:** **** Sep. 20, 2022**

(54) **SOLAR INDUCTION LAMP**

D866,036 S * 11/2019 Tan D26/63
D875,983 S * 2/2020 Zhu D26/63
D908,262 S * 1/2021 Dai D26/63

(71) Applicant: **Zhejiang Twinsel Electronic Technology Co., Ltd., Zhejiang (CN)**

(Continued)

(72) Inventors: **Xueren Zeng, Zhejiang (CN); Qian Xu, Zhejiang (CN); Zhenzhong Kong, Zhejiang (CN); Jiawei Li, Zhejiang (CN); Lizong Hu, Zhejiang (CN); Xiaofeng Tang, Zhejiang (CN); Jinglin Zheng, Zhejiang (CN)**

FOREIGN PATENT DOCUMENTS

CN 302705752 * 1/2014
CN 305681341 * 4/2020

(73) Assignee: **Zhejiang Twinsel Electronic Technology Co., Ltd., Ningbo (CN)**

OTHER PUBLICATIONS

“Hykolity” reference by Hykolity on Amazon.com, date first available Nov. 13, 2019 [online], site visited Feb. 17, 2022, available from internet URL: https://www.amazon.com/dp/B081GQTG4P/ref=cm_sw_em_r_mt_dp_5MV0E7V0BR66F0GWX8HG (Year: 2019).*

(**) Term: **15 Years**

(Continued)

(21) Appl. No.: **29/755,992**

Primary Examiner — Marissa J Cash
Assistant Examiner — Liv C Anderson

(22) Filed: **Oct. 23, 2020**

(51) **LOC (13) Cl.** **26-05**

(52) **U.S. Cl.**
USPC **D26/63**

(57) **CLAIM**

(58) **Field of Classification Search**
USPC ... D26/1, 24, 35, 44, 61, 63, 65, 66, 72, 80, D26/60, 76, 81, 83, 84, 93; D10/106.6, D10/106.8
CPC F21S 8/00; F21S 8/003; F21S 8/033; F21S 9/03; F21S 9/037; F21V 23/0471; F21V 21/26; F21V 21/30; F21W 2131/10; F21W 2131/107
See application file for complete search history.

The ornamental design for a solar induction lamp, as shown and described.

DESCRIPTION

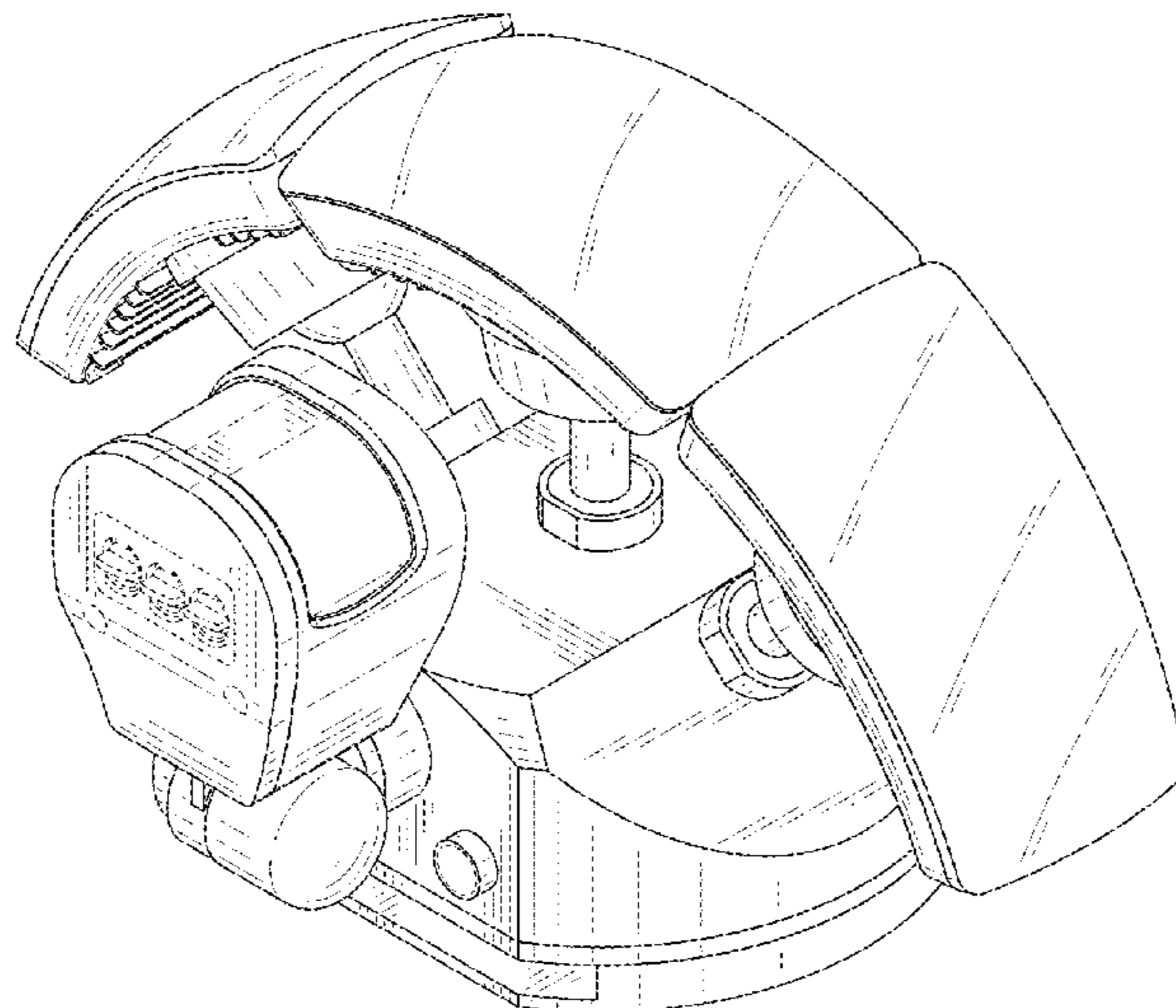
FIG. 1 is a top, front and right side perspective view of a solar induction lamp showing our new design;
FIG. 2 is a bottom, rear and left side perspective view thereof;
FIG. 3 is a front elevational view thereof;
FIG. 4 is a rear elevational view thereof;
FIG. 5 is a left side view thereof;
FIG. 6 is a right side view thereof;
FIG. 7 is a top plan view thereof; and,
FIG. 8 is a bottom plan view thereof.
The broken lines in the drawings illustrate portions of the solar induction lamp which form no part of the claimed design.

(56) **References Cited**

U.S. PATENT DOCUMENTS

D761,474 S * 7/2016 Chen D26/65
D784,589 S * 4/2017 Chen D26/65
D788,967 S * 6/2017 Chen D26/65
D799,104 S * 10/2017 Chen D26/120
D804,075 S * 11/2017 Fang D26/65
D821,021 S * 6/2018 Chen D26/120
D835,335 S * 12/2018 Paredes F21V 21/29
D26/120

1 Claim, 8 Drawing Sheets



(56)

References Cited

U.S. PATENT DOCUMENTS

D922,645 S * 6/2021 Gowing D26/63
D929,008 S * 8/2021 Singh D26/63
D946,187 S * 3/2022 Salihovic D26/51
D949,450 S * 4/2022 Zhang D26/63
D949,451 S * 4/2022 Zhang D26/63
D950,821 S * 5/2022 Zheng D26/63
2017/0184293 A1 * 6/2017 Chen F21V 23/0471

OTHER PUBLICATIONS

“Amico” reference by Amico-usa on Amazon.com, date first available Jun. 25, 2019 [online], site visited Feb. 17, 2022, available from internet URL: <https://www.amazon.com/Amico-Security-Adjustable-Waterproof-Certified/dp/B07VMMTWHS?th=1> (Year: 2019).*

“Freelicht” reference by Freelicht Lighting on Amazon.com, date first available Jun. 20, 2020 [online], site visited Feb. 17, 2022, available from internet URL: <https://www.amazon.com/Freelicht-Security-Waterproof-Adjustable-Detection/dp/B08BJLSHQH?th=1> (Year: 2020).*

“LePower” reference by LePower on Amazon.com, date first available Jul. 16, 2019 [online], site visited Feb. 17, 2022, available from internet URL: https://www.amazon.com/dp/B07XK5Z8GD/ref=cm_sw_em_r_mt_dp_dl_RZAWYW1E6RZCGNJ43PYD?_encoding=UTF8&th=1 (Year: 2019).*

“LED” reference by globalsources.com, site visited Feb. 17, 2022, available from internet URL: <https://www.globalsources.com/Solar-light/LED-Emergency-Light-security-light-1189095375p.htm> (Year: 2022).*

* cited by examiner

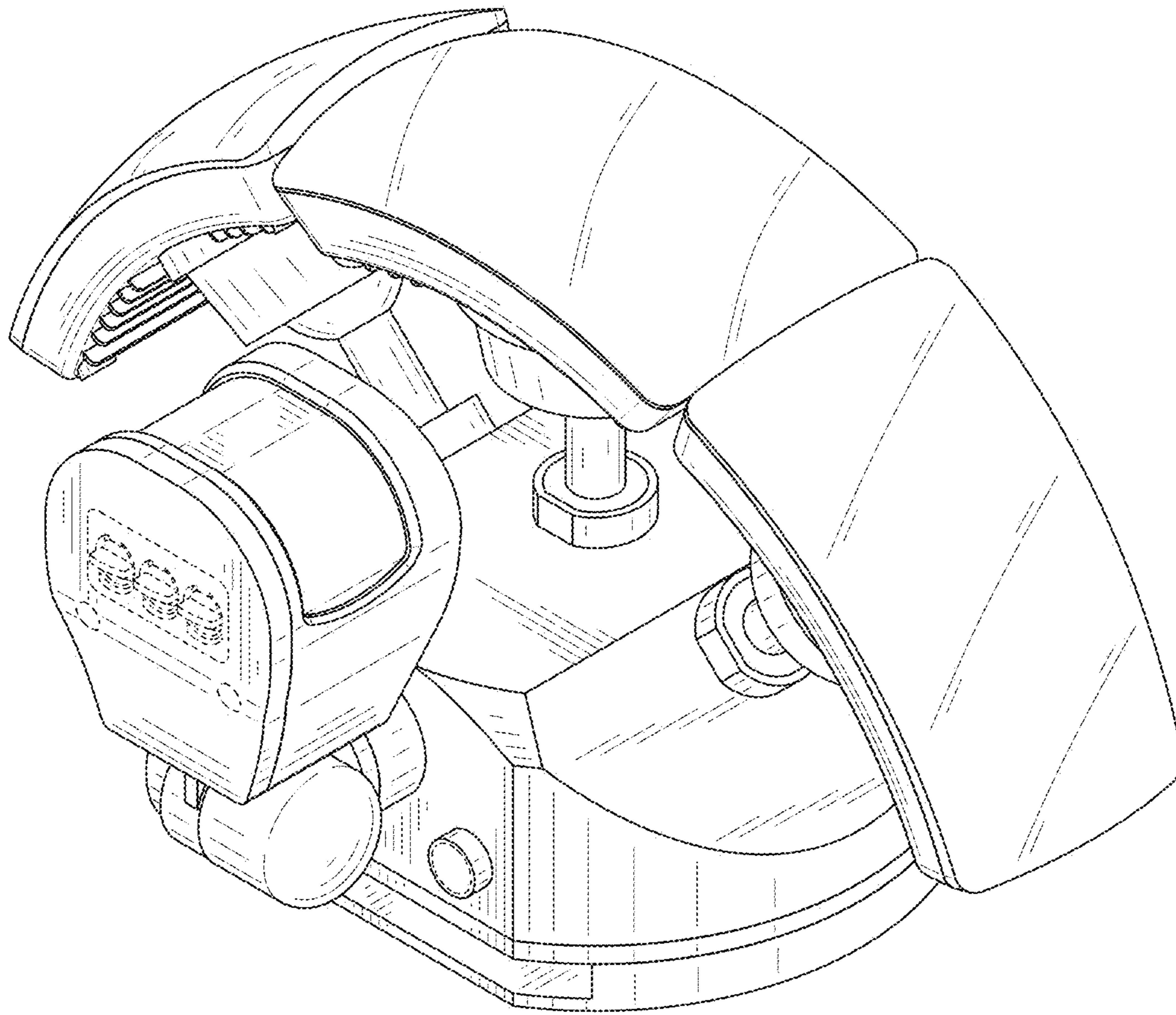


FIG. 1

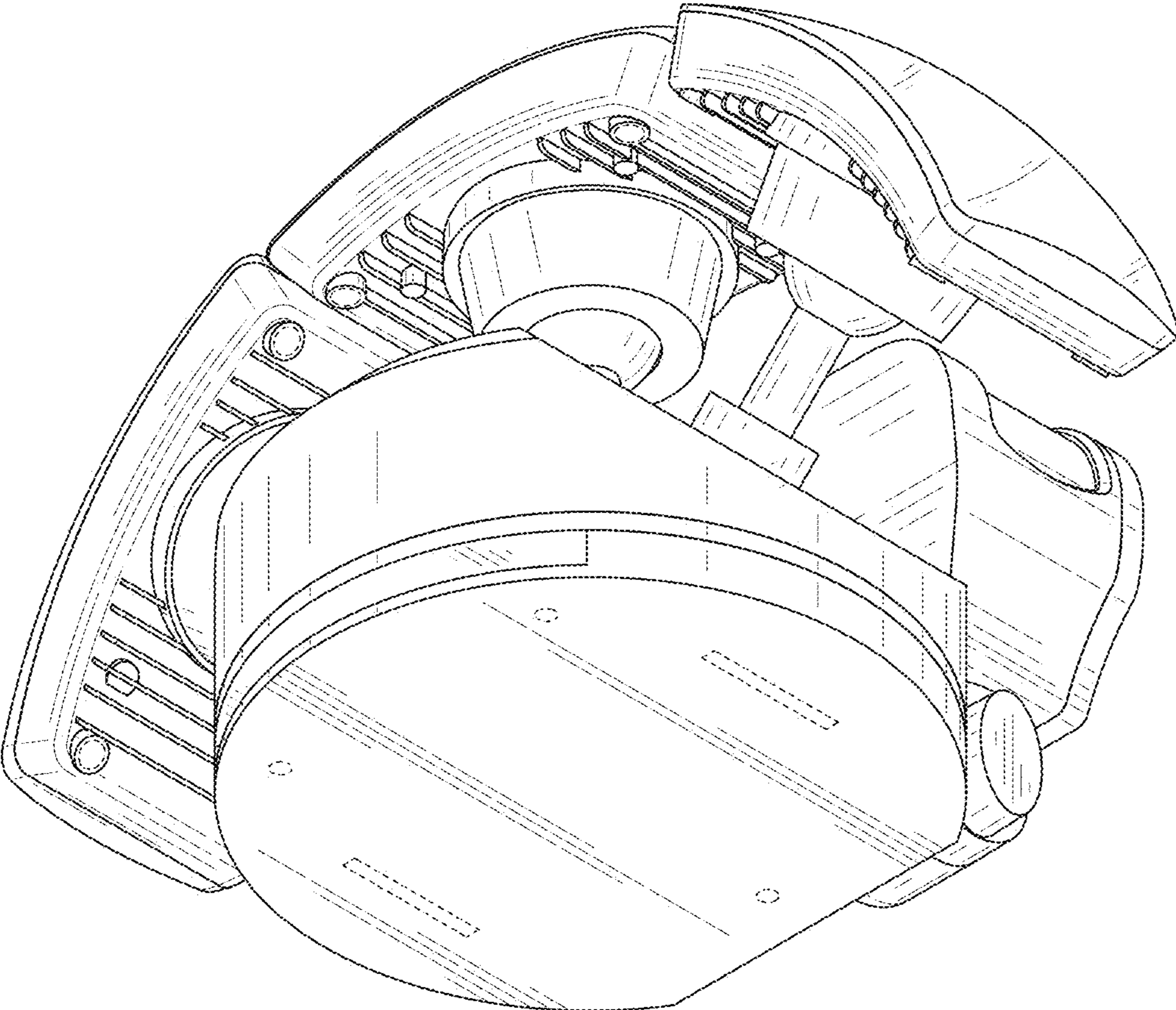


FIG. 2

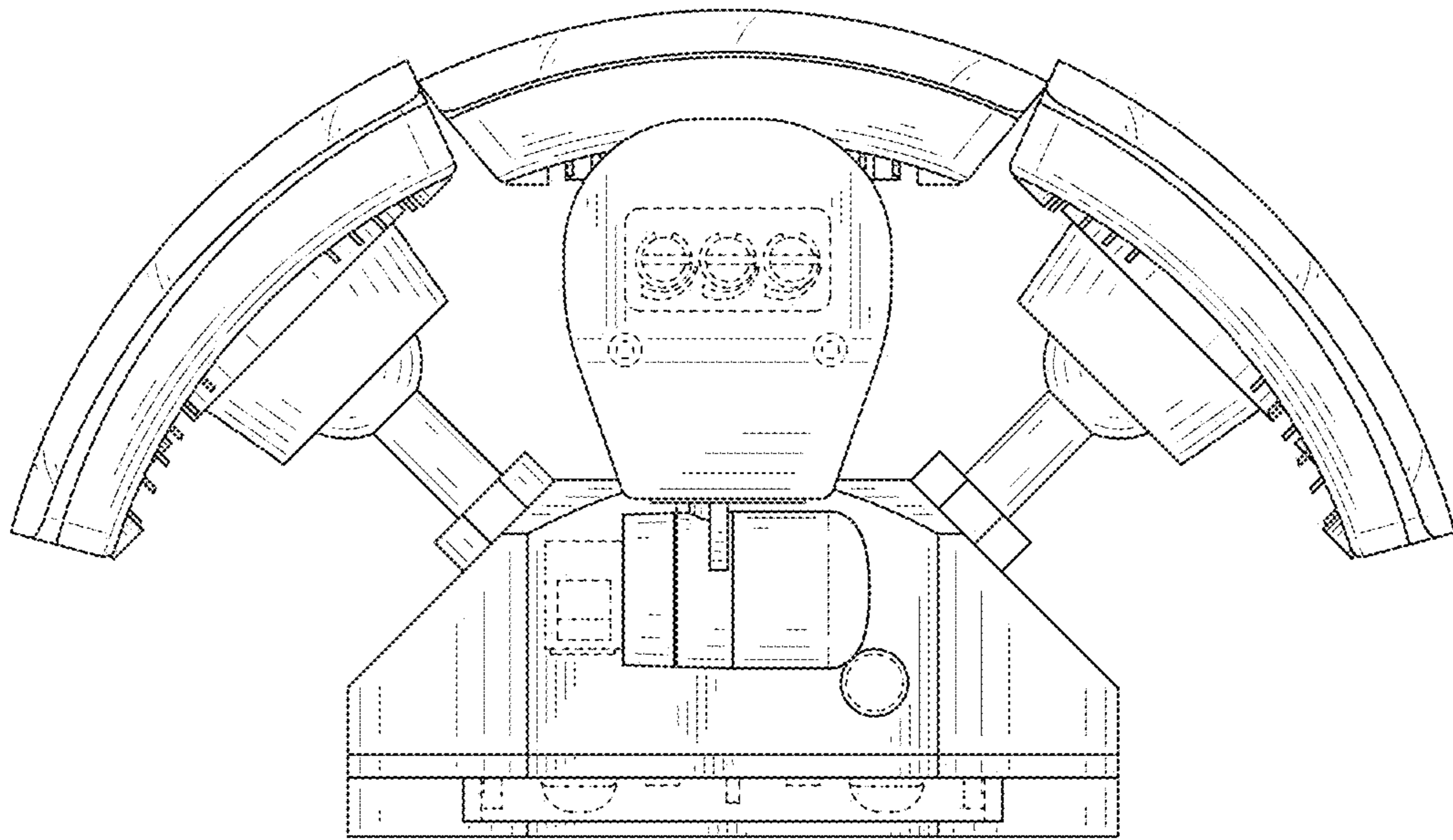


FIG. 3

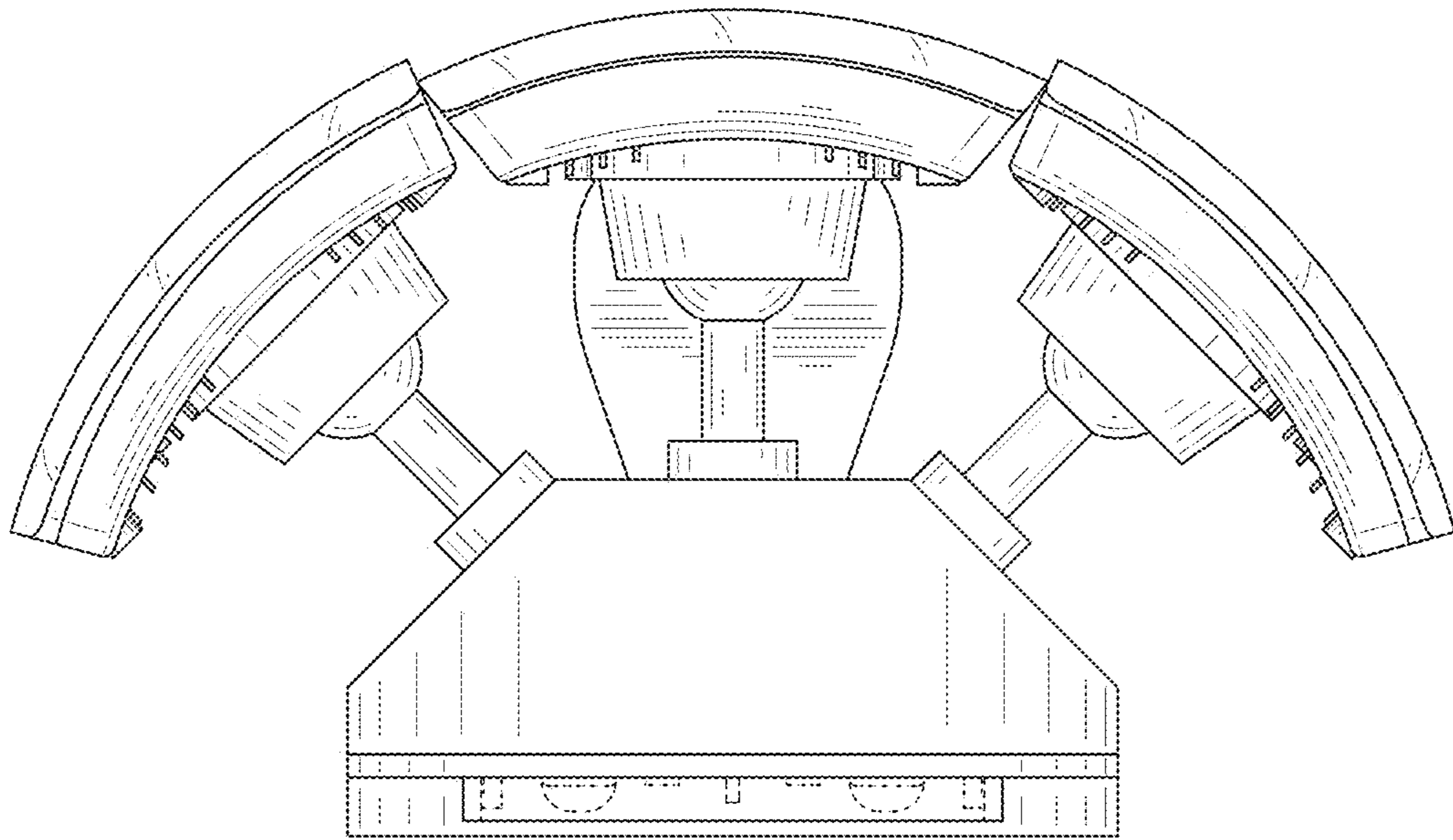


FIG. 4

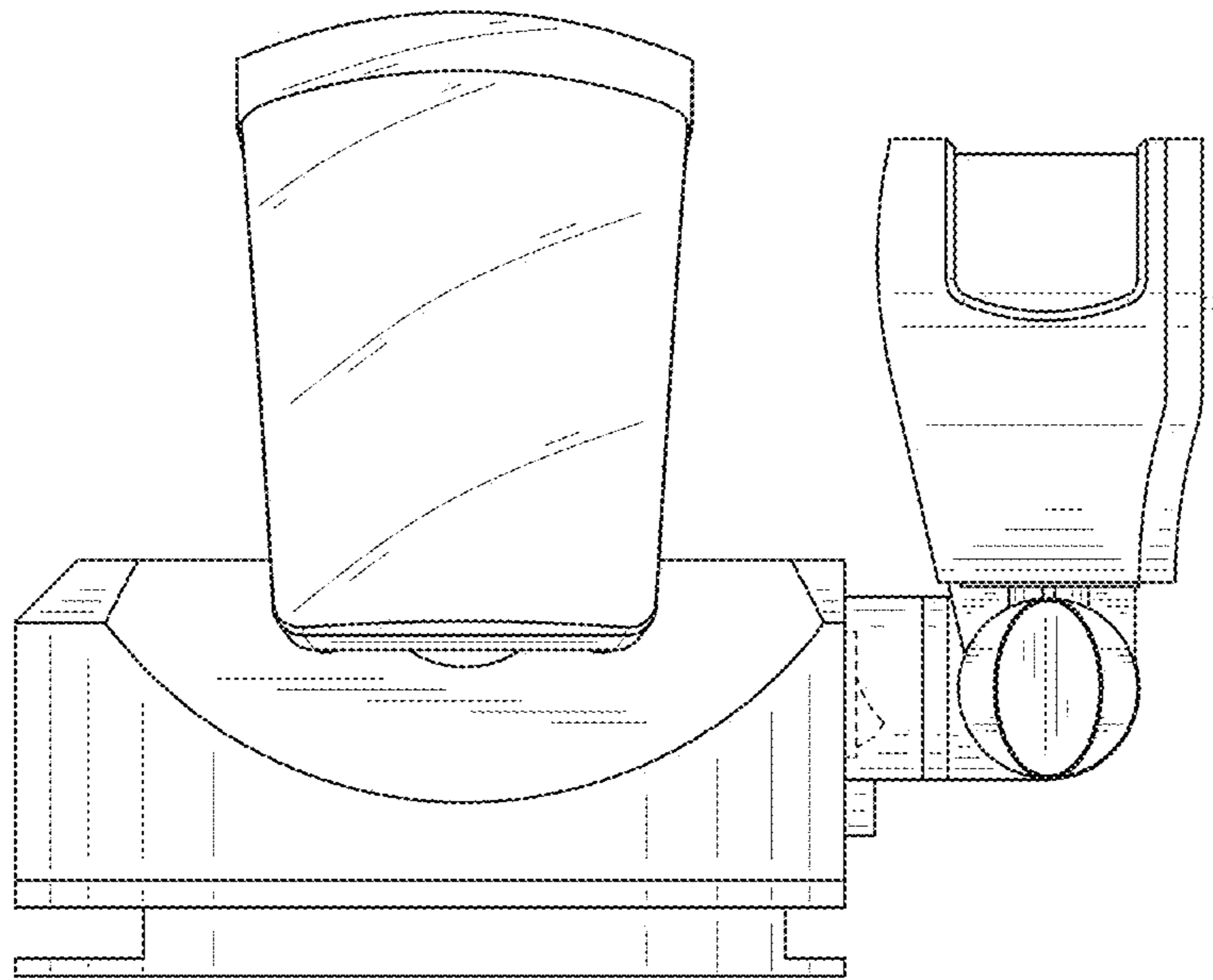


FIG. 5

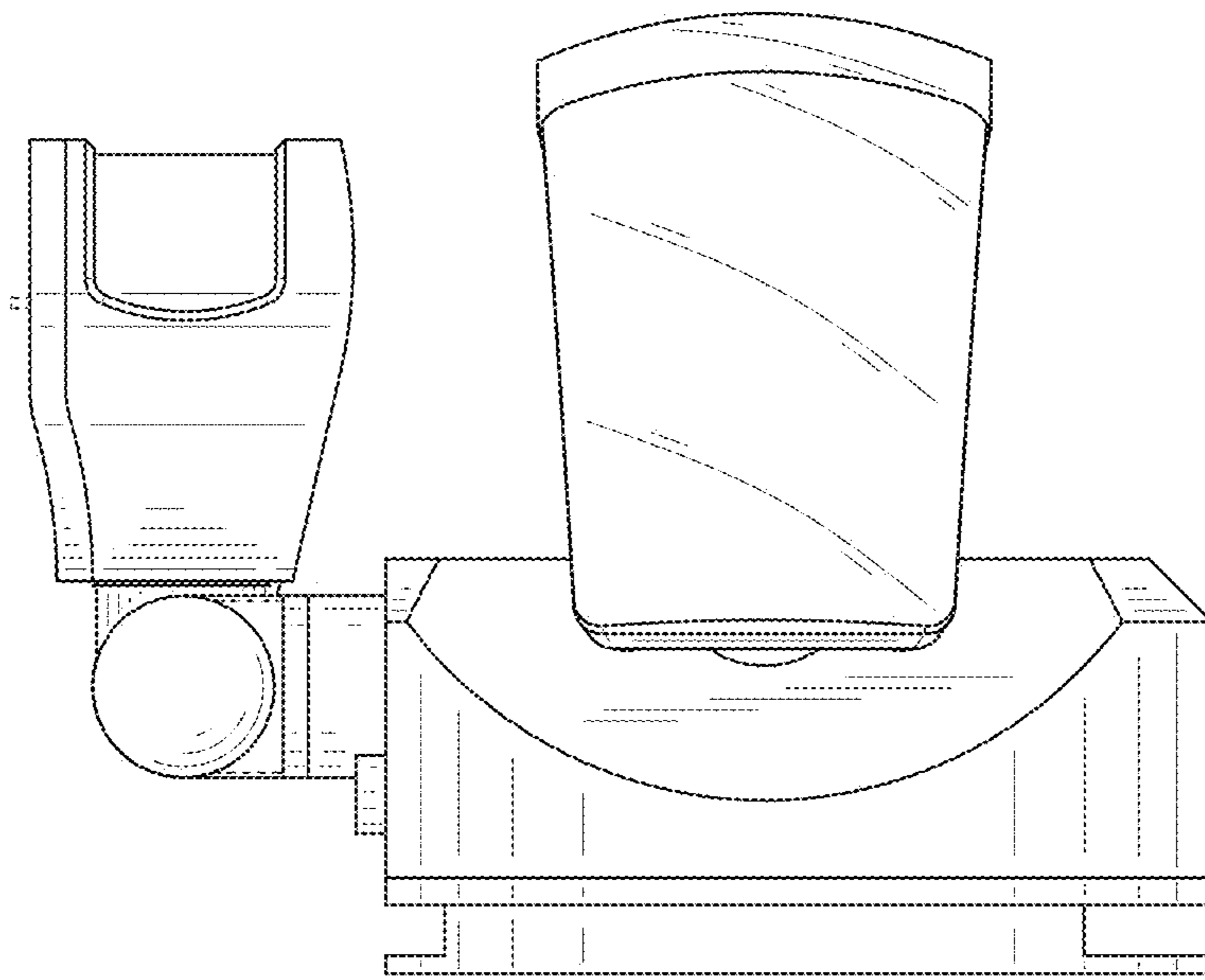


FIG. 6

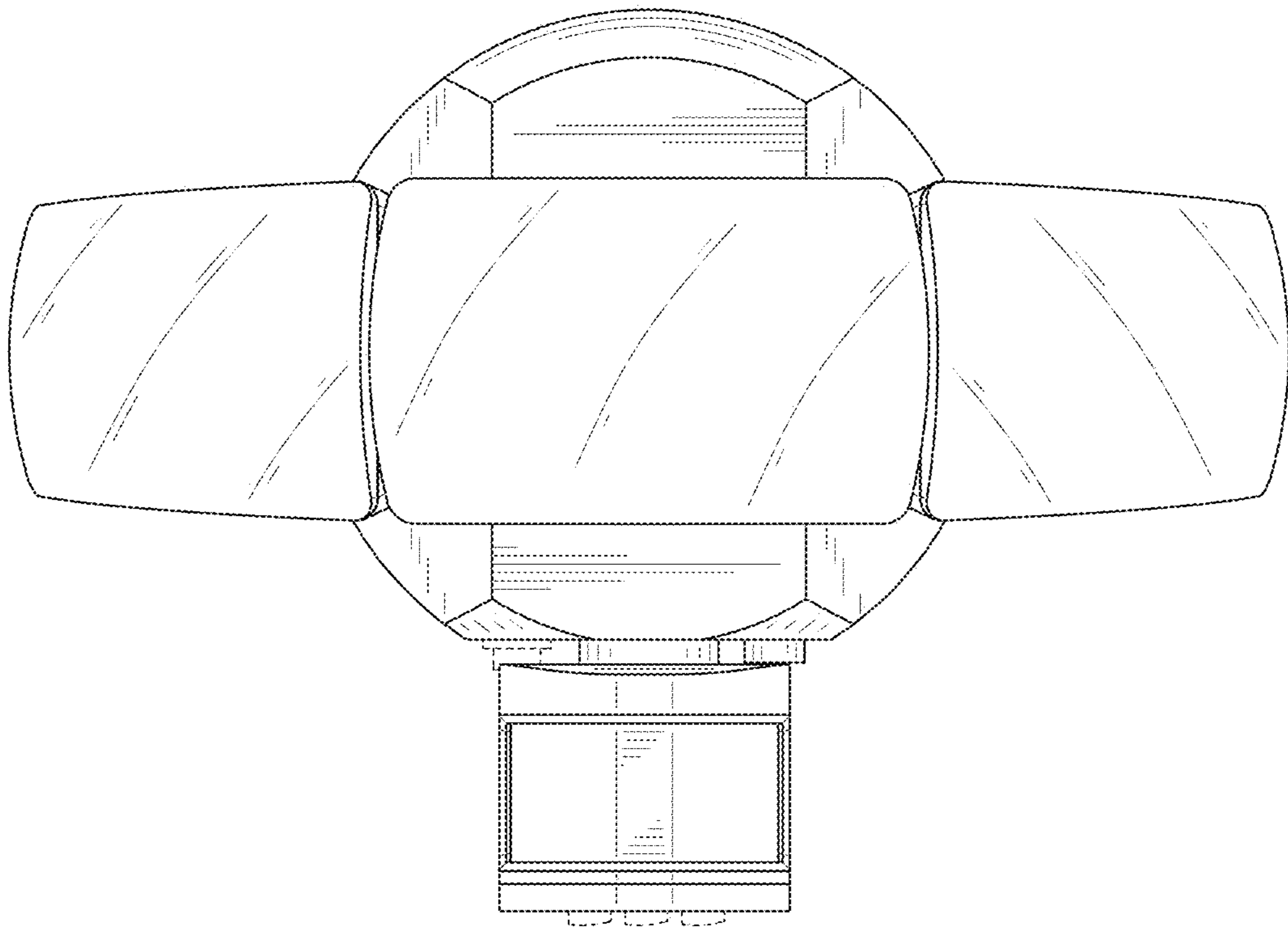


FIG. 7

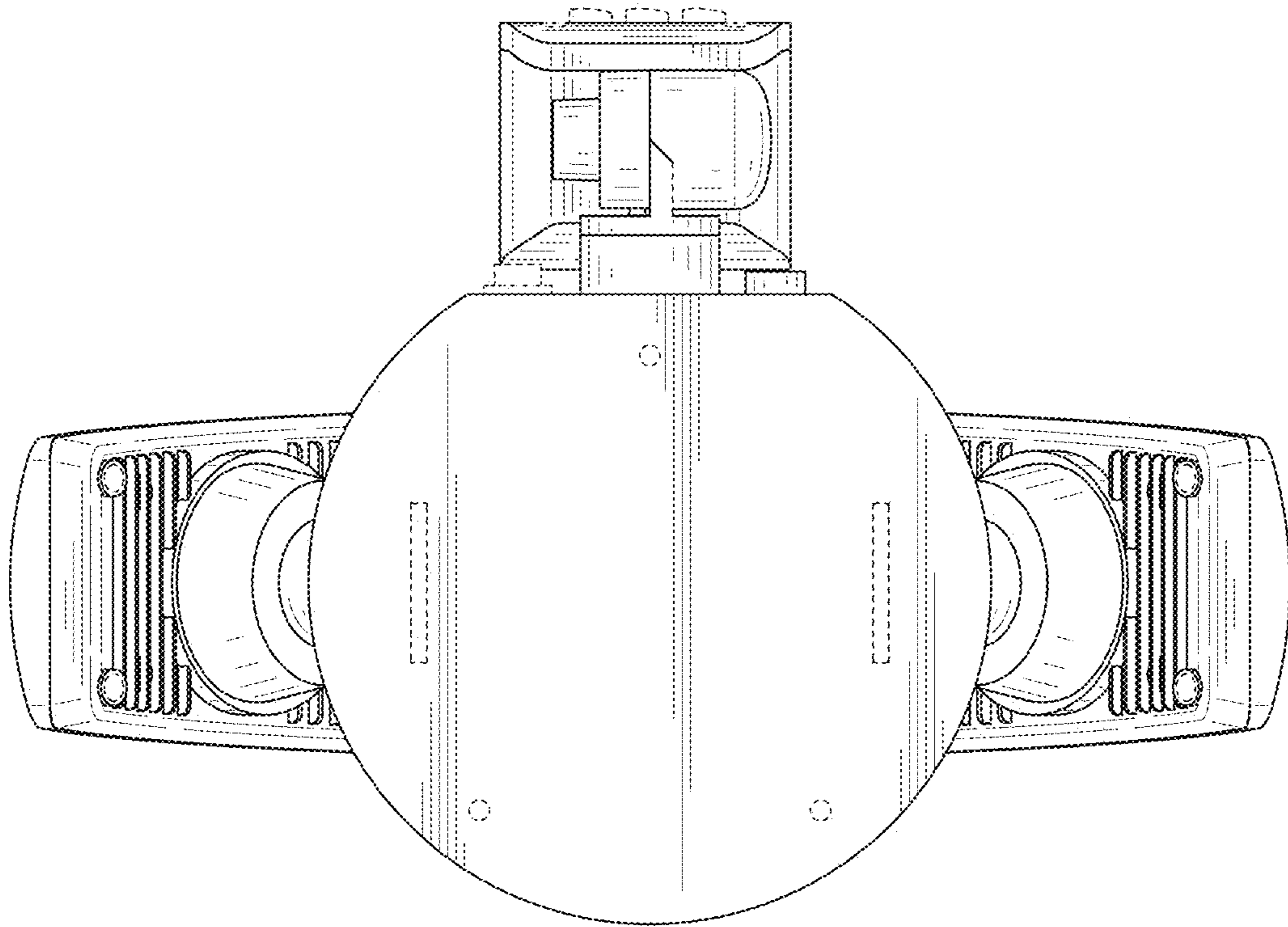


FIG. 8