



US00D964619S

(12) **United States Design Patent**  
**Landry**

(10) **Patent No.:** **US D964,619 S**

(45) **Date of Patent:** **\*\* Sep. 20, 2022**

(54) **LIGHTING FIXTURE**

(71) Applicant: **Lumenpulse Group Inc.**, Longueuil (CA)

(72) Inventor: **Samuel Landry**, Montreal (CA)

(73) Assignee: **LMPG INC.**, Longueuil (CA)

(\*\*) Term: **15 Years**

(21) Appl. No.: **29/640,268**

(22) Filed: **Mar. 13, 2018**

(51) **LOC (13) Cl.** ..... **26-05**

(52) **U.S. Cl.**  
USPC ..... **D26/63**

(58) **Field of Classification Search**  
USPC ..... D26/1, 2, 24, 60, 61, 63-66, 72, 75, 80,  
D26/81, 83, 85, 87, 88, 92, 113, 118,  
D26/119, 138, 142, 145

(Continued)

(56) **References Cited**

U.S. PATENT DOCUMENTS

D115,014 S \* 5/1939 Waltman ..... D26/24  
D128,284 S \* 7/1941 Herr ..... D26/63

(Continued)

*Primary Examiner* — Shawn T Gingrich

(74) *Attorney, Agent, or Firm* — Bums & Levinson, LLP;  
Joseph M. Maraia

(57) **CLAIM**

The ornamental design for a lighting fixture, as shown and described.

**DESCRIPTION**

FIG. 1 includes a first schematic perspective view of a light fixture with an opaque top lens.

FIG. 2 includes a second schematic perspective view of a light fixture with an opaque top lens.

FIG. 3 includes a schematic side view of a light fixture with an opaque top lens.

FIG. 4 includes a schematic perspective bottom view of a light fixture with an opaque top lens.

FIG. 5 includes a schematic side view of a light fixture with an opaque top lens.

FIG. 6 includes a schematic bottom view of a light fixture with an opaque top lens.

FIG. 7 includes a schematic top view of a light fixture with an opaque top lens.

FIG. 8 includes a schematic perspective view of a light fixture with a transparent top lens.

FIG. 9 includes a schematic top view of a light fixture with a transparent top lens.

FIG. 10 includes a schematic perspective view of another light fixture with an opaque top lens.

FIG. 11 includes a schematic side view of the light fixture of FIG. 10.

FIG. 12 includes a schematic perspective view of yet another light fixture with an opaque top lens.

FIG. 13 includes a schematic side view of the light fixture of FIG. 12.

FIG. 14 includes a schematic perspective view of still another light fixture with an opaque top lens.

FIG. 15 includes a schematic top view of the light fixture of FIG. 14.

FIG. 16 includes a schematic perspective view of another light fixture, analogous to the light fixture of FIG. 10, with a transparent top lens instead of an opaque top lens.

FIG. 17 includes a schematic top view of the light fixture of FIG. 16.

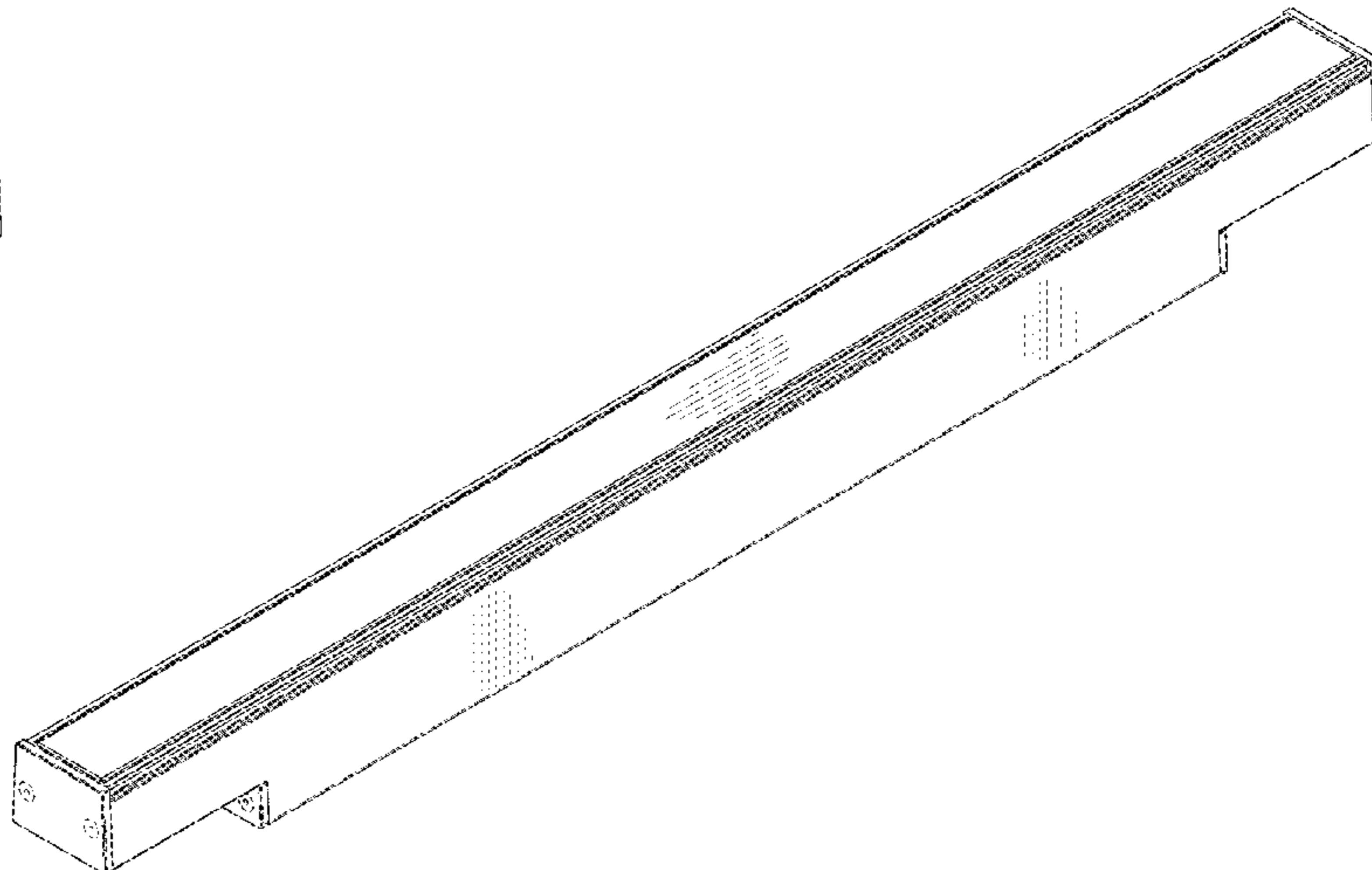
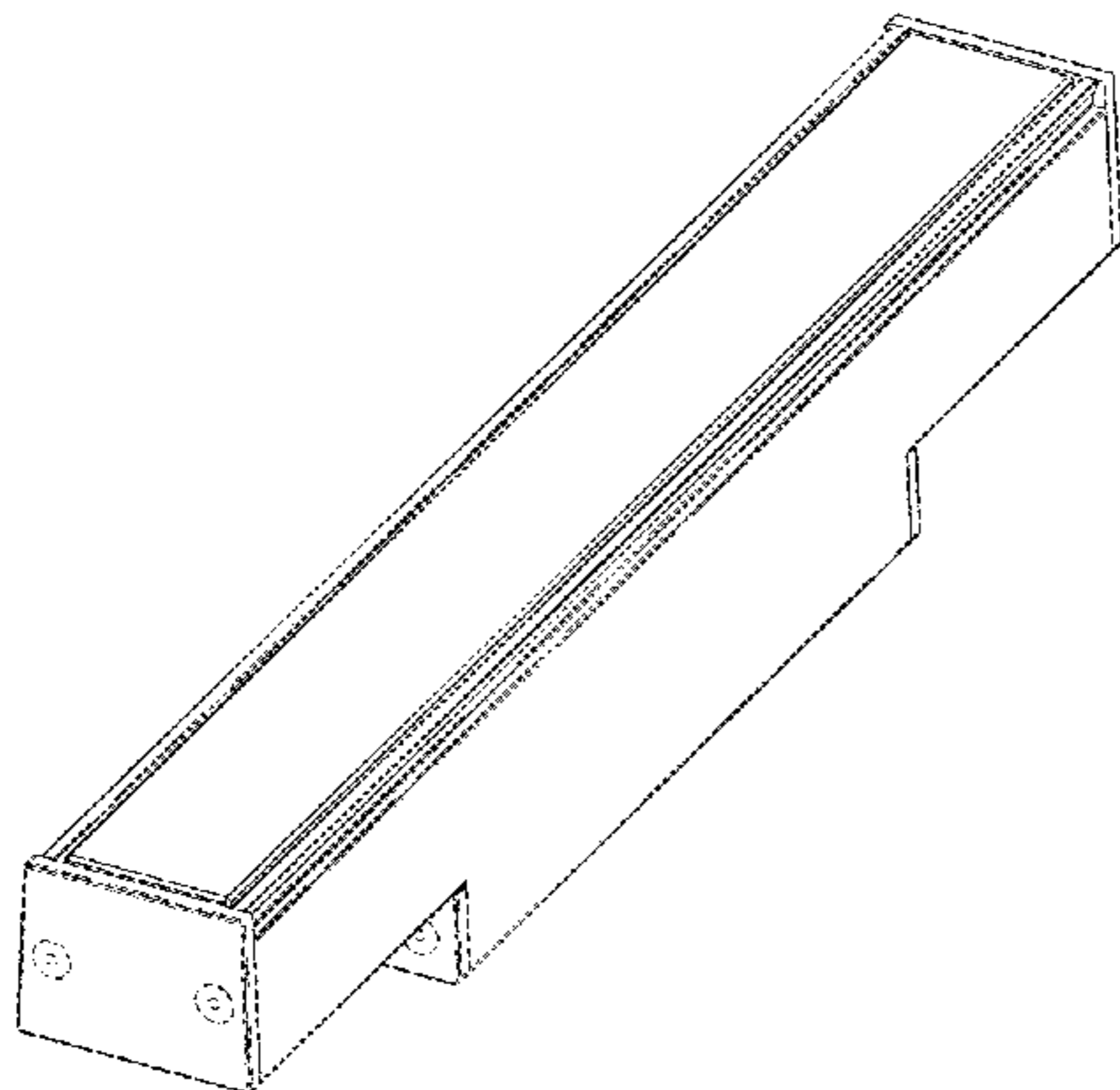
FIG. 18 includes a schematic perspective view of yet another light fixture, analogous to the light fixture of FIG. 12, with a transparent top lens instead of an opaque top lens.

FIG. 19 includes a schematic top view of the light fixture of FIG. 18.

FIG. 20 includes a schematic perspective view of still another light fixture, analogous to the light fixture of FIG. 14, with a transparent top lens instead of an opaque top lens; and,

FIG. 21 includes a schematic top view of the light fixture of FIG. 20.

**1 Claim, 9 Drawing Sheets**



- (58) **Field of Classification Search**  
 CPC ..... A61B 1/06; A61B 5/00; A61B 5/1172;  
               A61B 34/00; A61B 90/00; A61B 90/30;  
               A61B 90/35; G16H 20/40; F21V 21/30;  
               F21V 21/04; F21V 23/04; H04N 5/2354;  
               H05B 47/125  
 See application file for complete search history.

(56) **References Cited**

U.S. PATENT DOCUMENTS

D306,909	S	*	3/1990	Kelley	.....	D26/24
D337,842	S	*	7/1993	Yuen	.....	D26/44
D563,013	S	*	2/2008	Levine	.....	D26/63
D629,548	S	*	12/2010	Cai	.....	D26/63
D632,422	S	*	2/2011	van den Akker	.....	D26/128
D734,524	S	*	7/2015	Boudewyns	.....	D26/63
D757,975	S	*	5/2016	Lo Chun Tung	.....	D26/63
D770,072	S	*	10/2016	Law	.....	D26/63
D773,088	S	*	11/2016	Hodgson	.....	D26/61
D775,393	S	*	12/2016	Adams	.....	D26/63
D782,095	S	*	3/2017	Fletcher	.....	D26/76
D782,096	S	*	3/2017	Fletcher	.....	D26/76
9,651,227	B2	*	5/2017	Pickard	.....	F21V 21/30
D793,602	S	*	8/2017	Liu	.....	D26/76
D796,107	S	*	8/2017	Boorom	.....	D26/87

D800,366	S	*	10/2017	Cavaliere	.....	D26/75
D808,566	S	*	1/2018	Goetz-Schaefer	.....	D26/76
D817,535	S	*	5/2018	Feng	.....	D26/76
D822,260	S	*	7/2018	Lee	.....	D26/87
D855,237	S	*	7/2019	Liu	.....	D26/76
D870,340	S	*	12/2019	Gruendl	.....	D26/63
D872,338	S	*	1/2020	Deng	.....	D26/76
D877,969	S	*	3/2020	Santoro	.....	D26/124
D880,035	S	*	3/2020	Gordin	.....	D26/63
D880,742	S	*	4/2020	Li	.....	D26/61
D883,551	S	*	5/2020	Waldmann	.....	D26/65
D884,241	S	*	5/2020	Chami	.....	D26/63
D889,028	S	*	6/2020	Santoro	.....	D26/120
D890,973	S	*	7/2020	Hodgson	.....	D26/63
D895,873	S	*	9/2020	Yang	.....	D26/63
D952,220	S	*	5/2022	Landry	.....	D26/63
2010/0254148	A1	*	10/2010	Huang	.....	F21S 4/28 362/373
2011/0051407	A1	*	3/2011	St. Ives	.....	F21V 15/015 362/225
2011/0128737	A1	*	6/2011	Kim	.....	F21V 21/30 362/249.03
2011/0141722	A1	*	6/2011	Acampora	.....	F21V 15/013 362/218
2013/0271977	A1	*	10/2013	Ronen	.....	F21V 21/30 362/235

\* cited by examiner

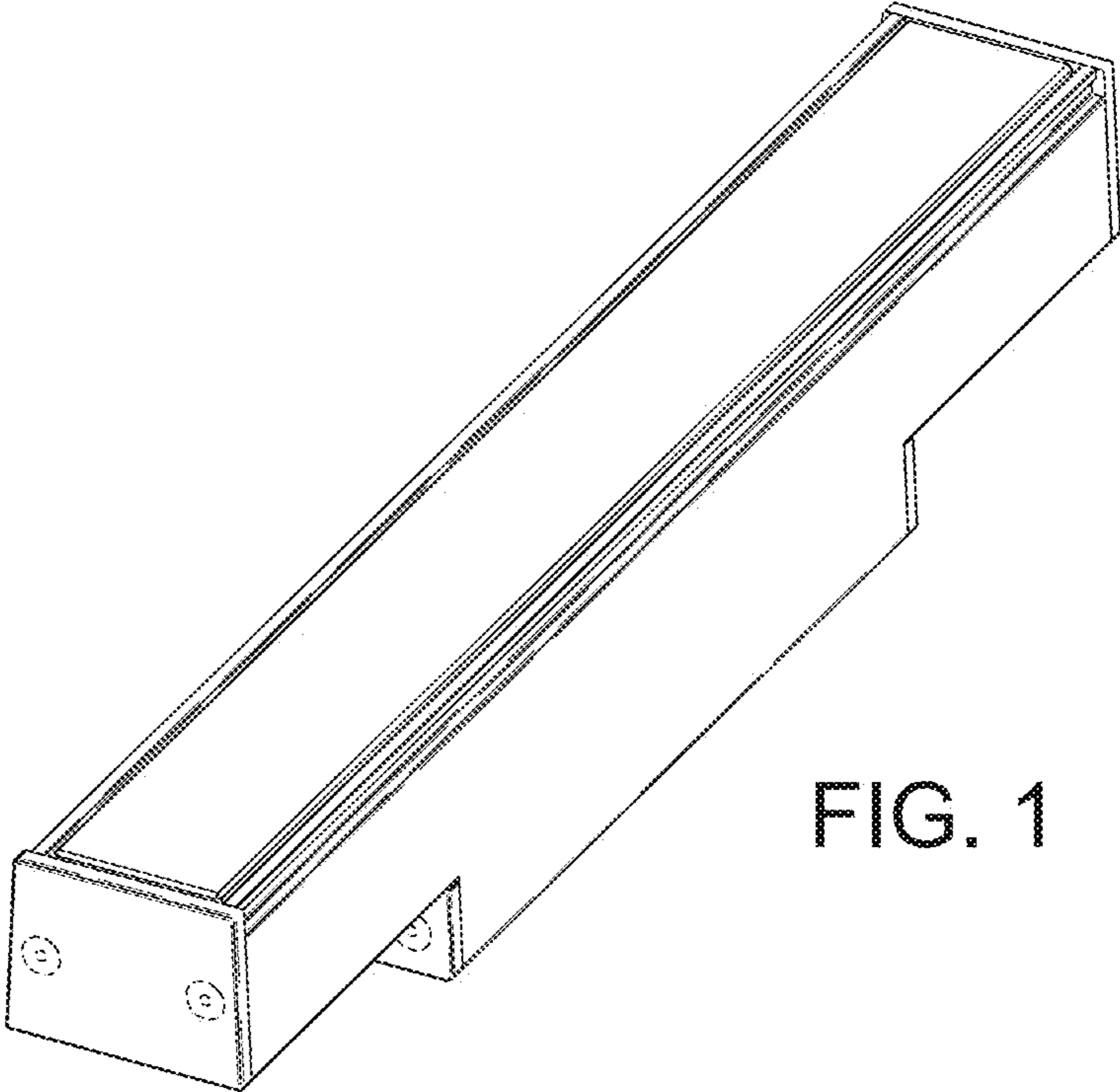


FIG. 1

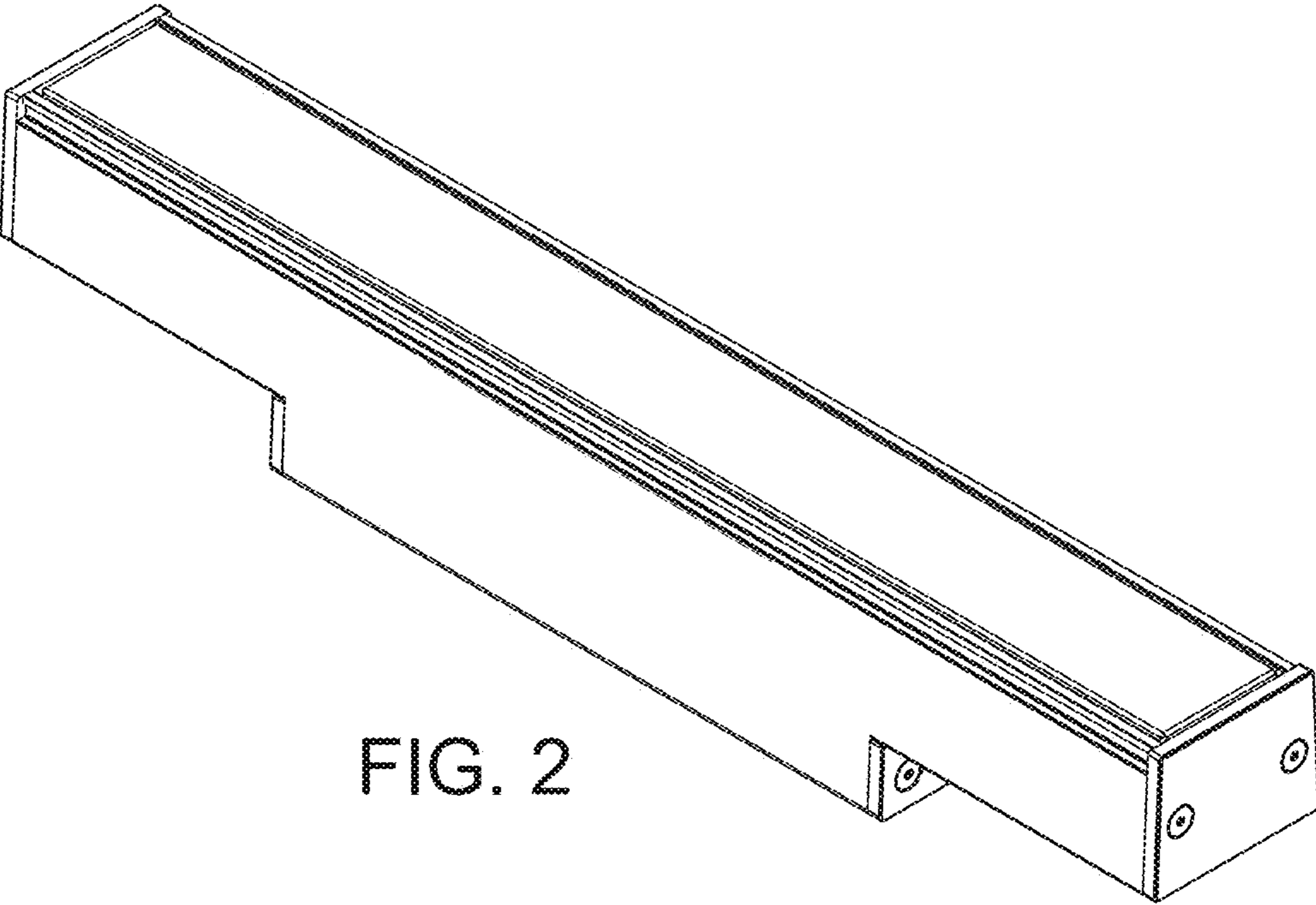


FIG. 2

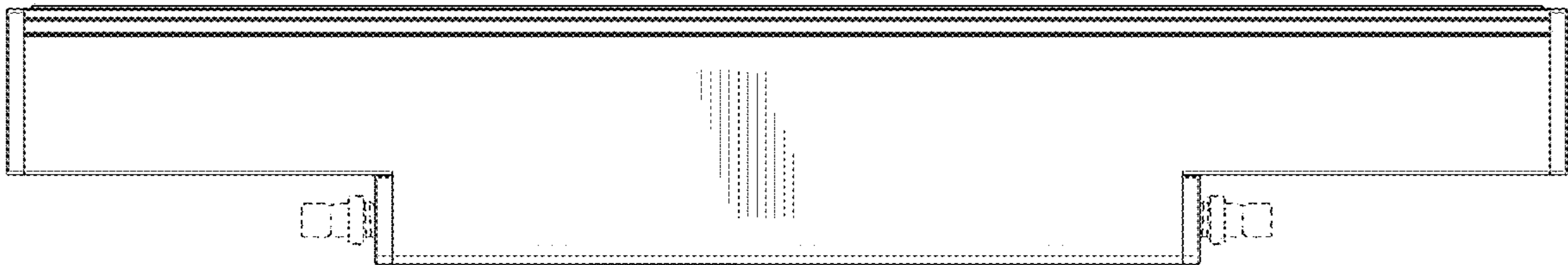
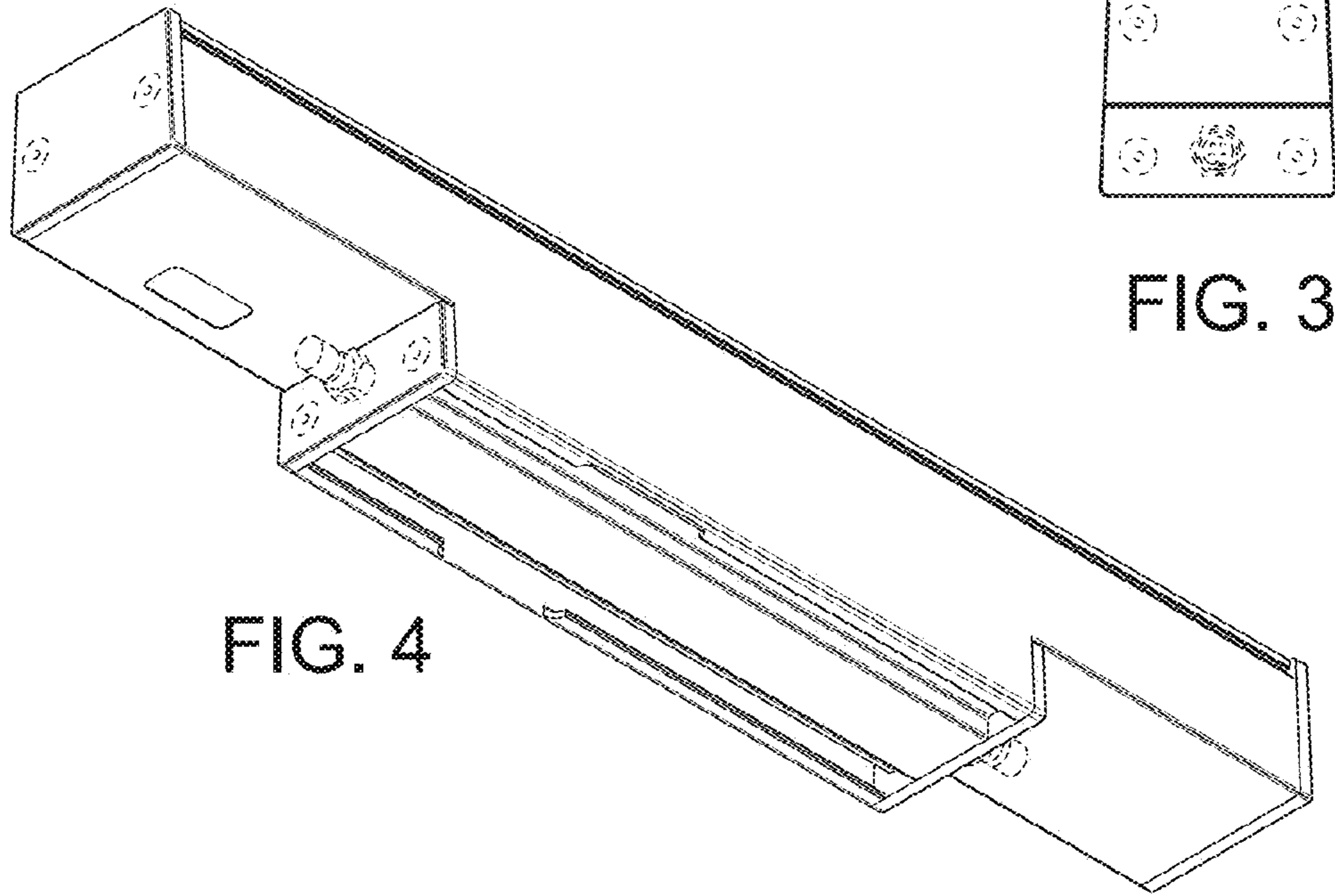


FIG. 5

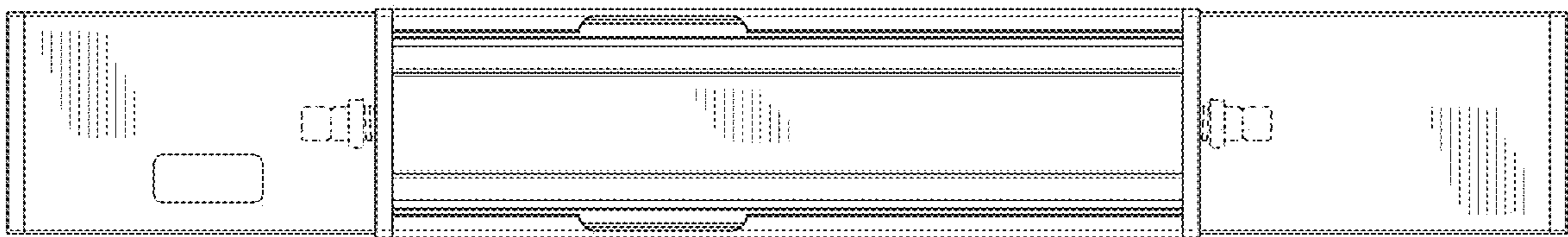


FIG. 6

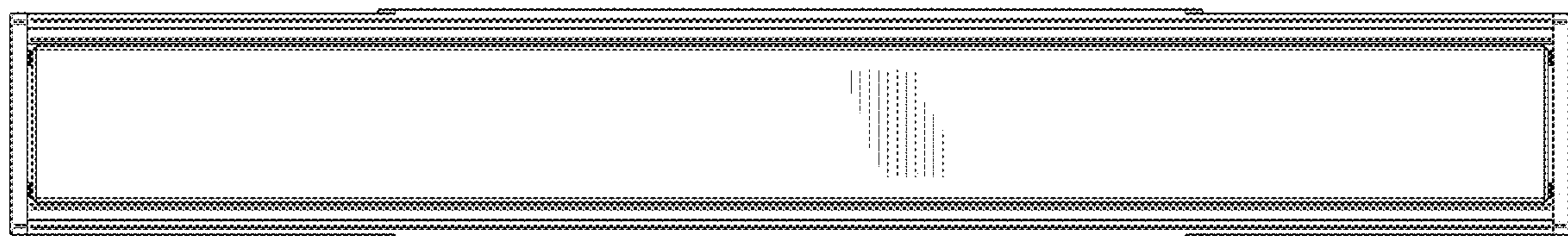


FIG. 7

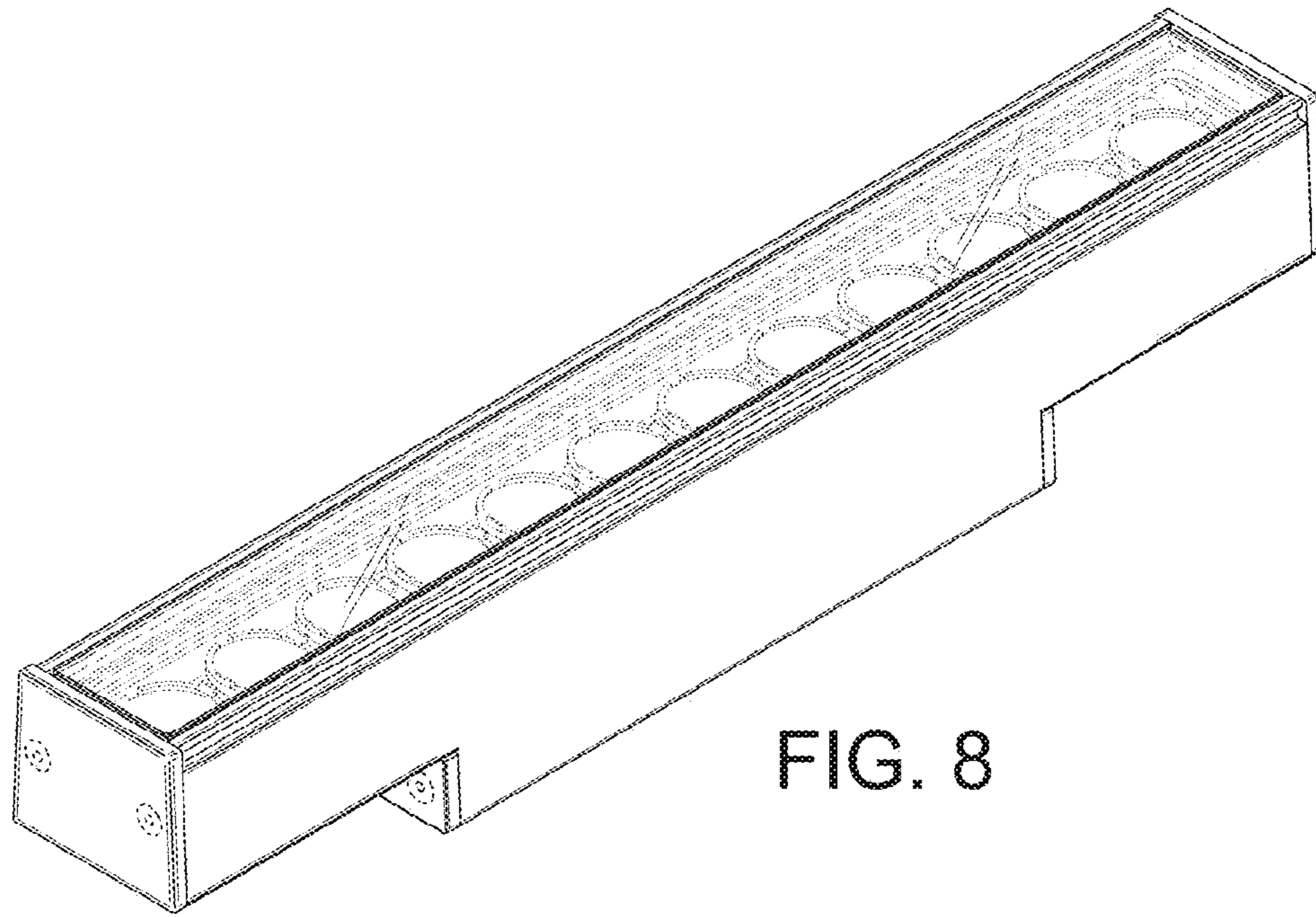


FIG. 8

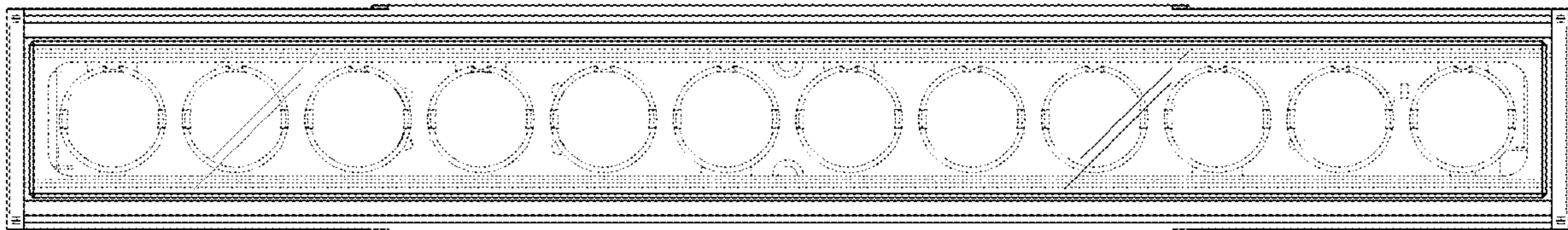


FIG. 9

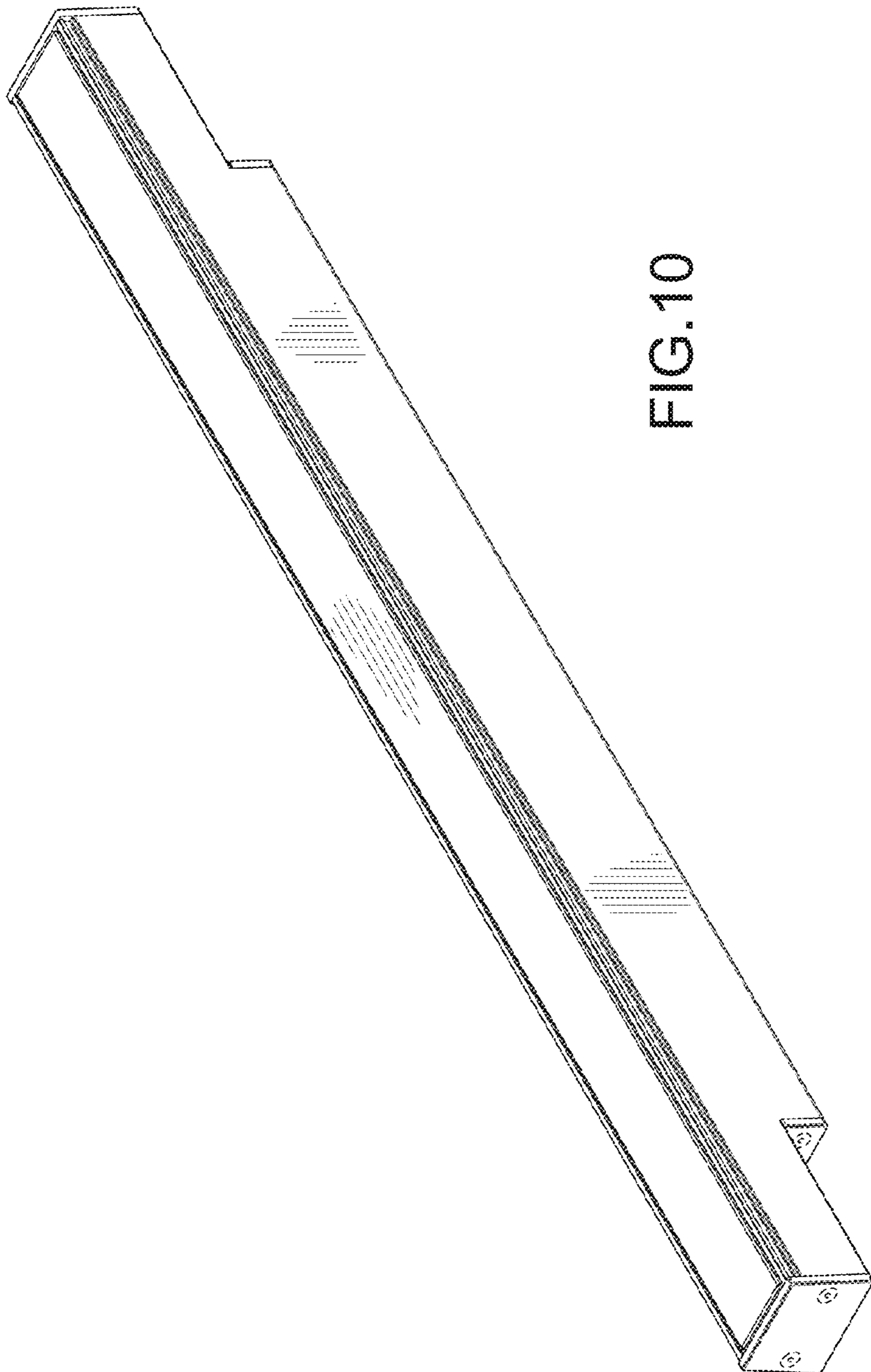


FIG. 10

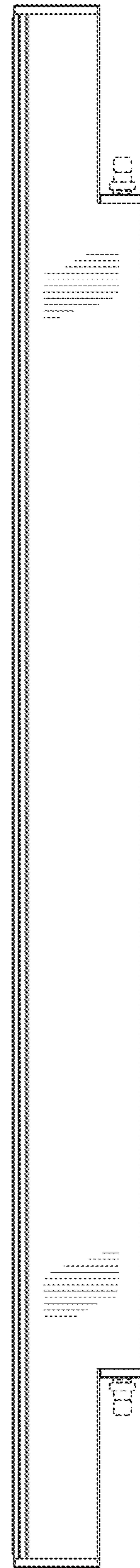


FIG. 11

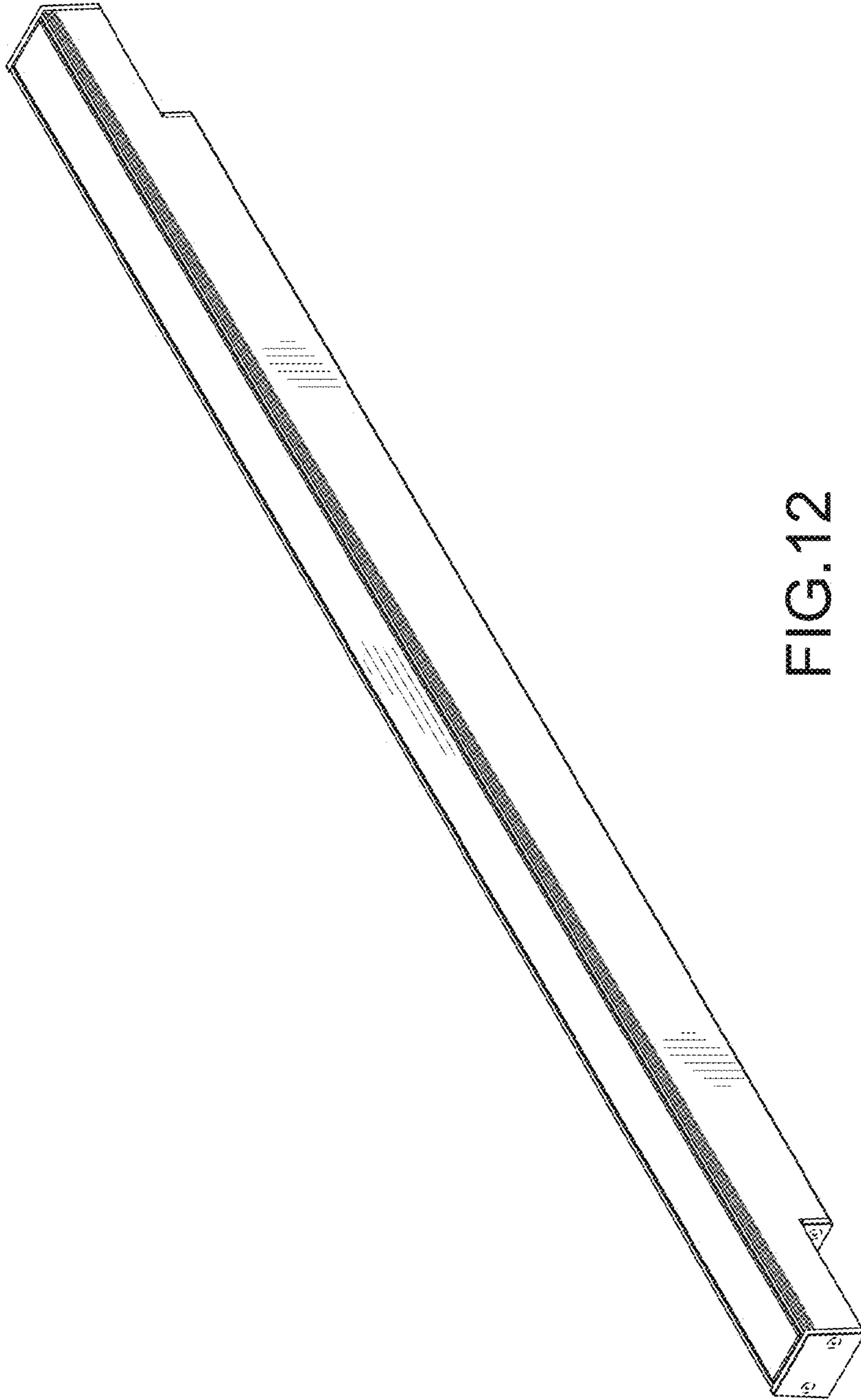


FIG. 12

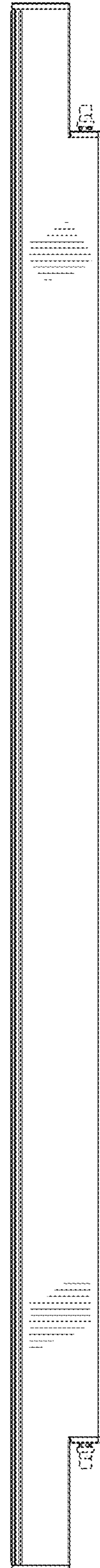


FIG. 13

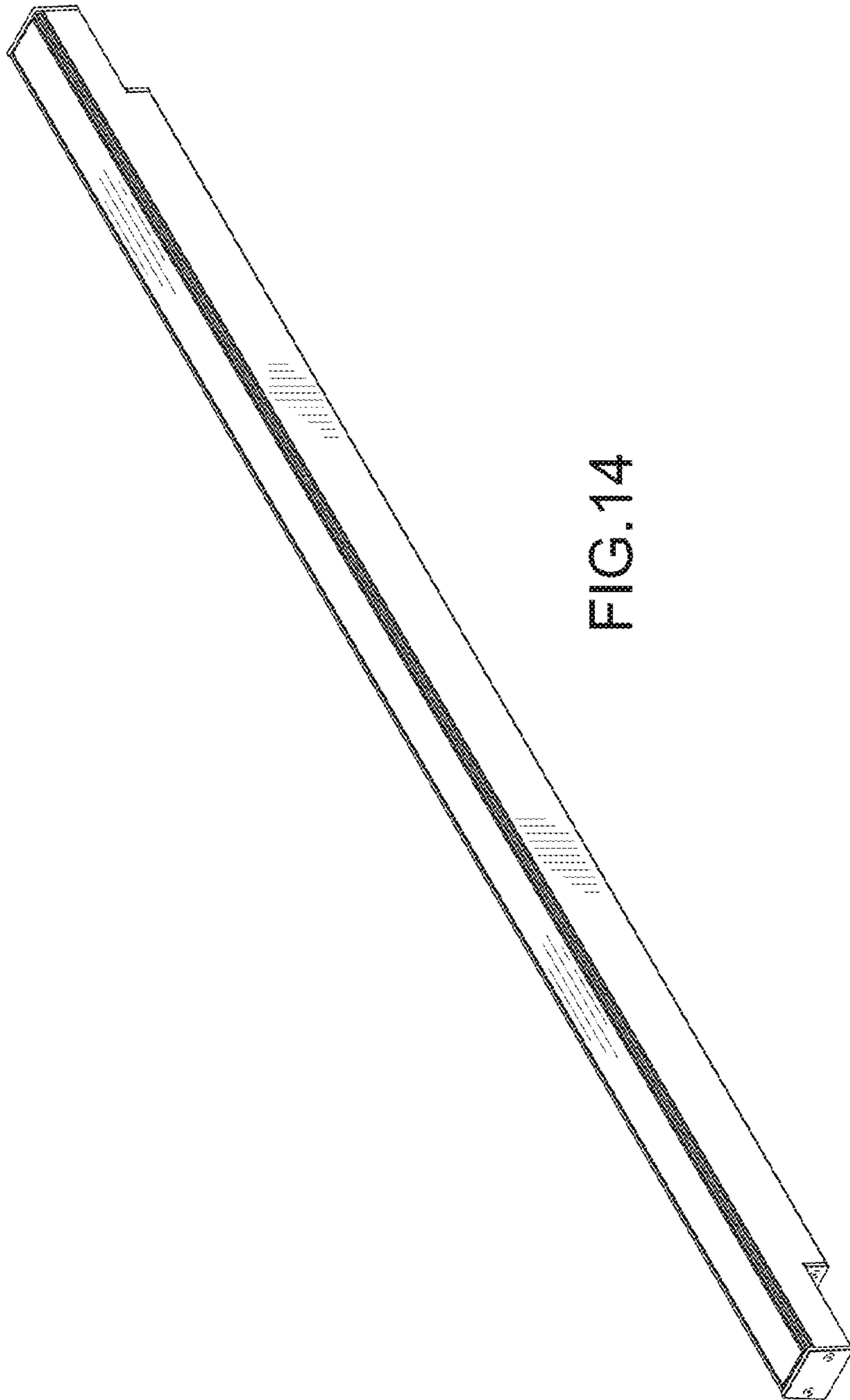


FIG. 14

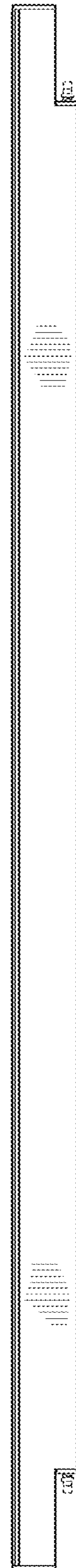


FIG. 15



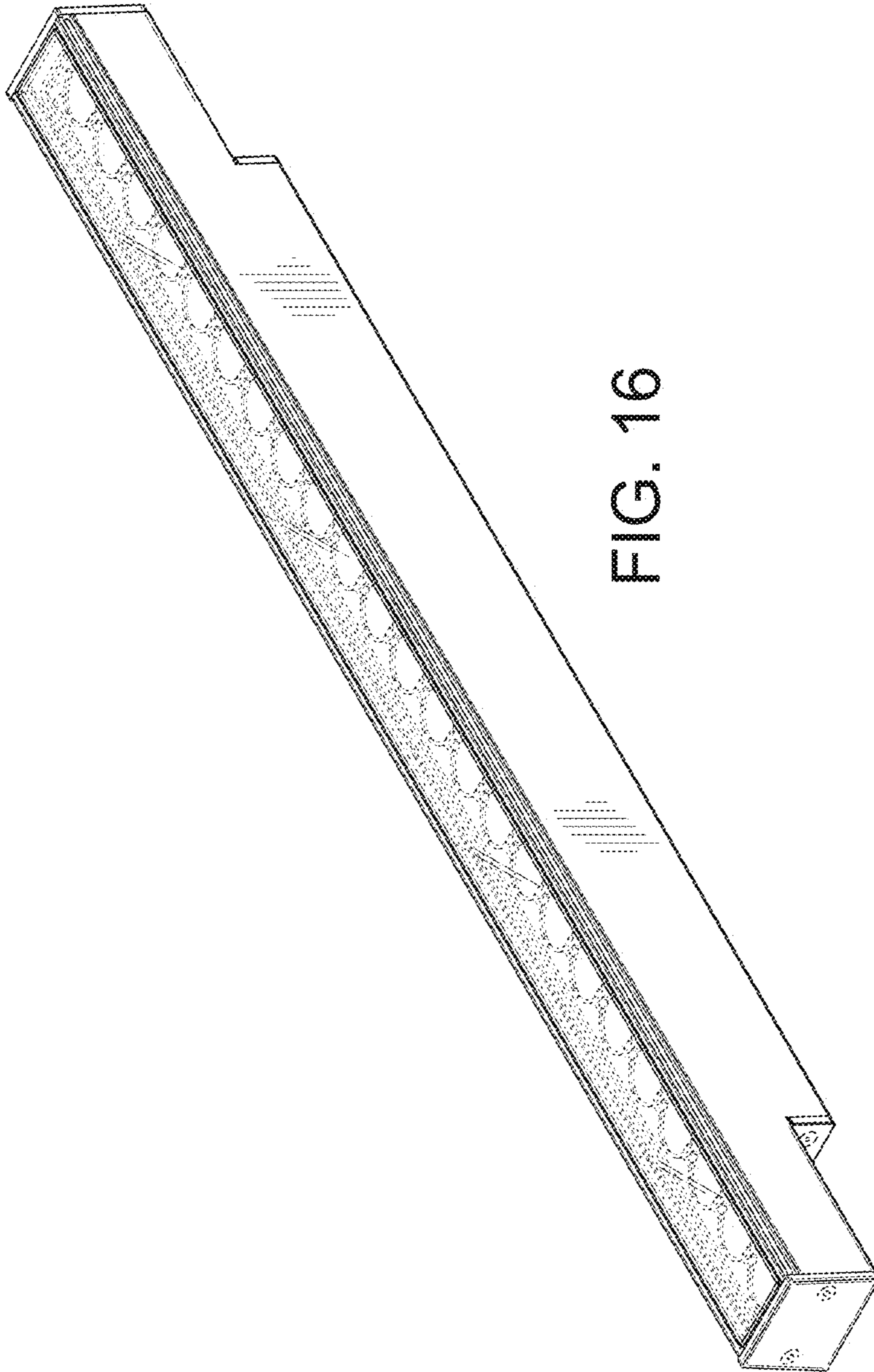
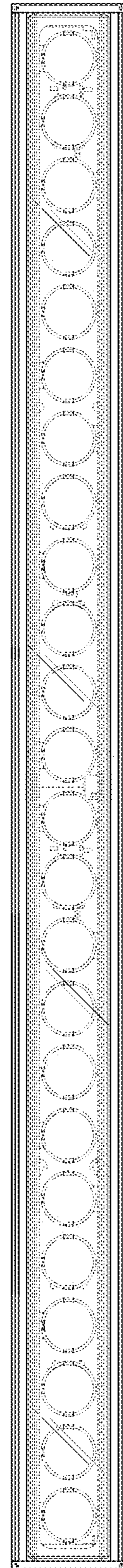


FIG. 16

FIG. 17



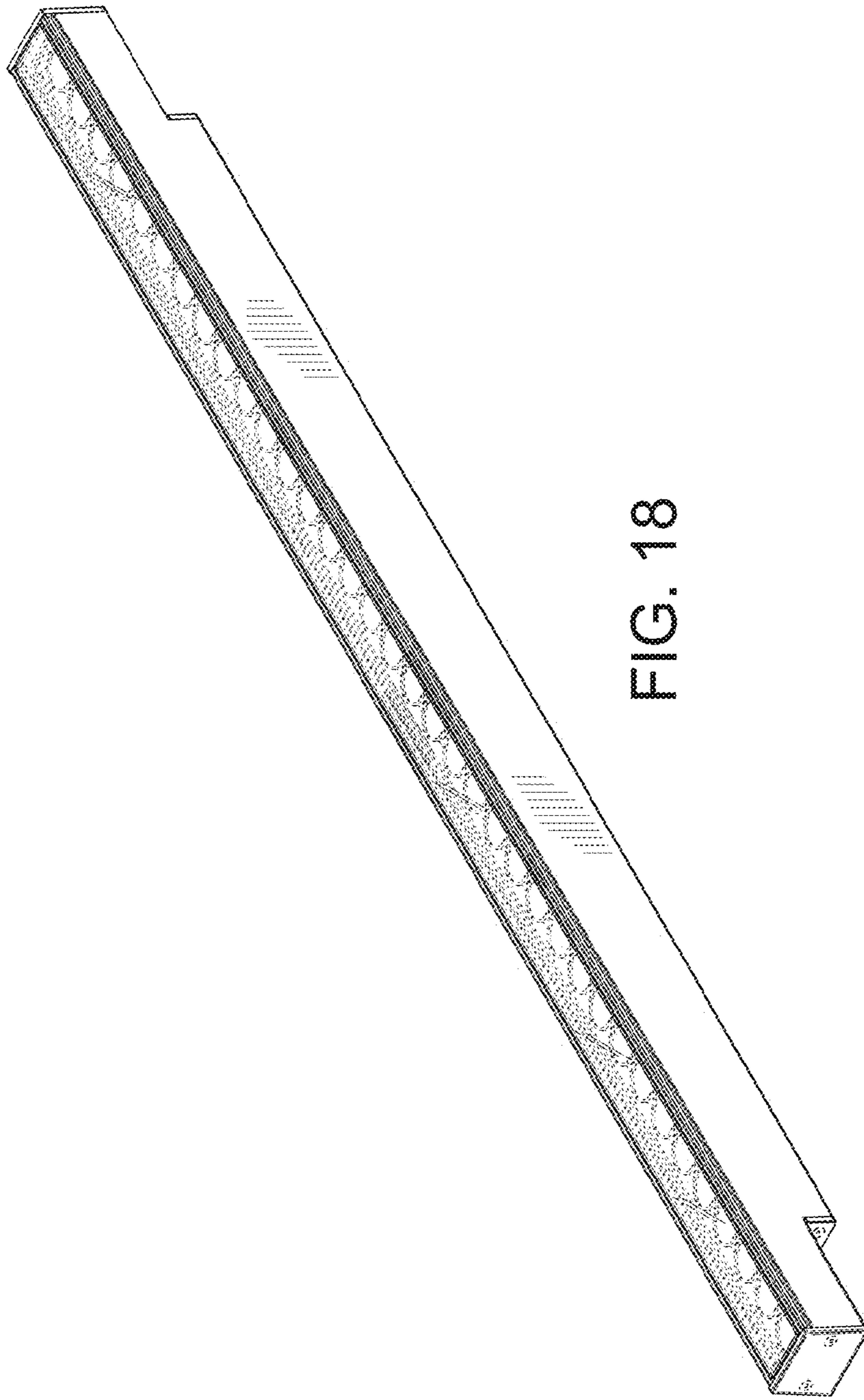
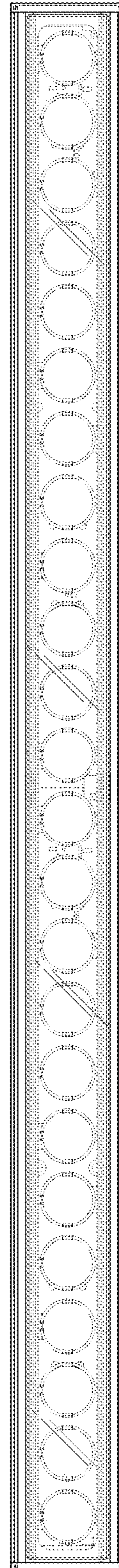


FIG. 18

FIG. 19



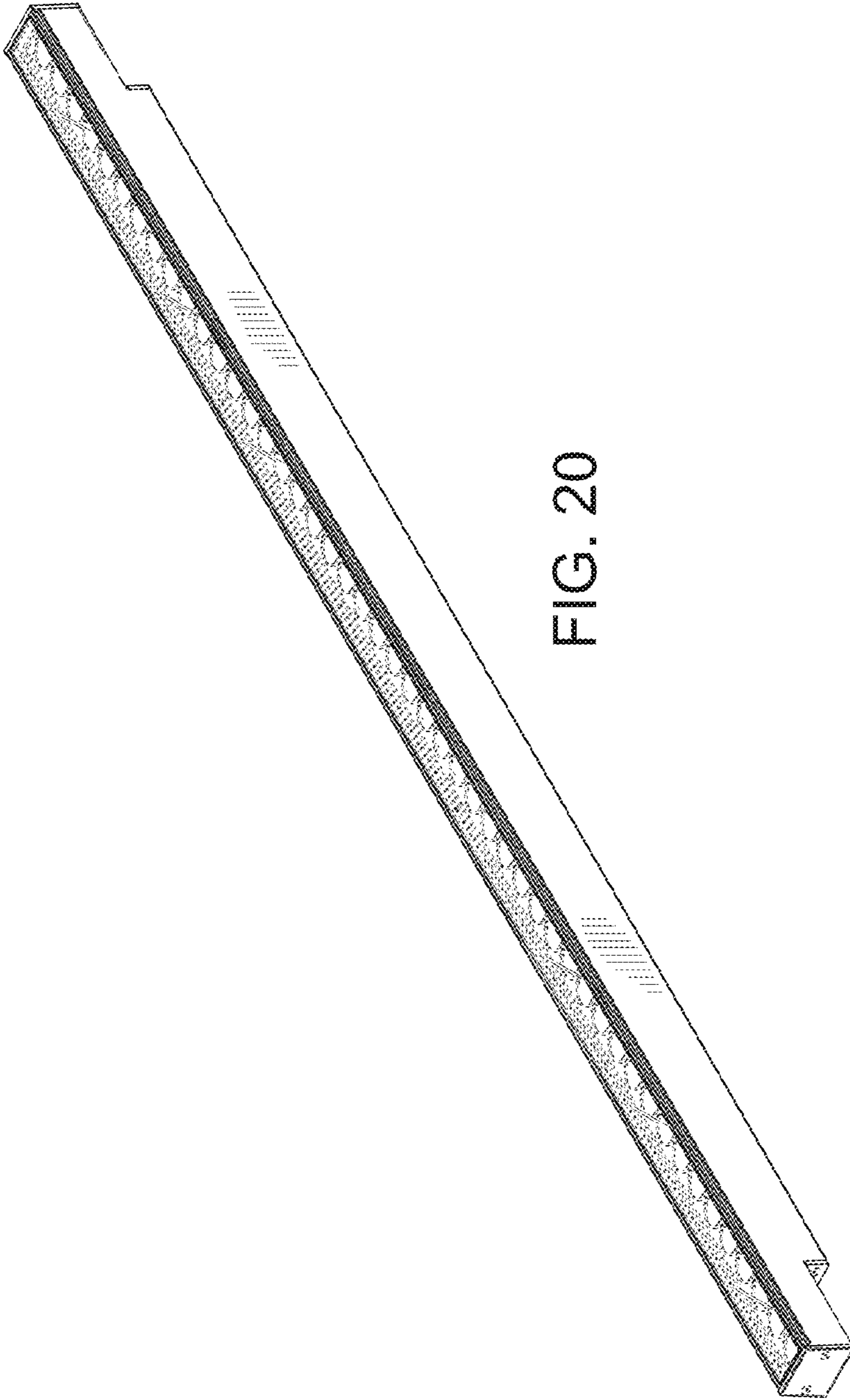


FIG. 20

FIG. 21

