

US00D964618S

(12) **United States Design Patent** (10) **Patent No.:** **US D964,618 S**
Chen et al. (45) **Date of Patent:** **** *Sep. 20, 2022**

(54) **PROJECTOR EQUIPPED WITH A LAMP**

OTHER PUBLICATIONS

- (71) Applicant: **COMPAL ELECTRONICS, INC.**,
Taipei (TW)
- (72) Inventors: **Yu-Hsin Chen**, Taipei (TW); **Hsing-Yi Kao**, Taipei (TW); **Ming-Chung Liu**,
Taipei (TW)
- (73) Assignee: **COMPAL ELECTRONICS, INC.**,
Taipei (TW)
- (*) Notice: This patent is subject to a terminal disclaimer.
- (**) Term: **15 Years**

“Anker Lumos LED Desk Lamp,” Aug. 19, 2015, amazon.ca, site visited Jan. 10, 2022, URL: https://www.amazon.ca/dp/B01194JHPE?camp=217145&creative=399373&creativeASIN=B01194JHPE&linkCode=as2&redirect=true&ref_=sr_1_10&sr=1-0&tag=anker02-20 (Year: 2015).*

(Continued)

Primary Examiner — Eric L Goodman
Assistant Examiner — Sarah L Smith
(74) *Attorney, Agent, or Firm* — JCIRPNET

- (21) Appl. No.: **29/699,211**
- (22) Filed: **Jul. 23, 2019**

(57) **CLAIM**

The ornamental design for a projector equipped with a lamp, as shown and described.

(30) **Foreign Application Priority Data**

DESCRIPTION

- May 27, 2019 (TW) 108303141
- (51) **LOC (13) Cl.** **26-05**
- (52) **U.S. Cl.**
USPC **D26/51; D26/61**
- (58) **Field of Classification Search**
USPC D26/76, 78, 79, 80, 81, 82, 83, 85, 86,
D26/88, 90, 113, 118, 119, 120, 121, 122,
(Continued)

FIG. 1 is a perspective view of a projector equipped with a lamp showing our new design;
FIG. 2 is a front view thereof;
FIG. 3 is a rear view thereof;
FIG. 4 is a left side view thereof;
FIG. 5 is a right side view thereof;
FIG. 6 is a top view thereof;
FIG. 7 is a bottom view thereof;
FIG. 8 is an enlarged view of the portion, labeled ‘8’ of FIG. 1;
FIG. 9 is an enlarged view of the portion, labeled ‘9’ of FIG. 1;
FIG. 10 is an enlarged view of the portion, labeled ‘10’ of FIG. 3; and,
FIG. 11 is an enlarged view of the portion, labeled ‘11’ of FIG. 6.

(56) **References Cited**

The broken lines showing of the enlargement indicia in FIGS. 1, 3, 5, 8, 10, and 11 are shown for the purpose of illustrating the bounds of the enlargement and form no part of the claimed design.

U.S. PATENT DOCUMENTS

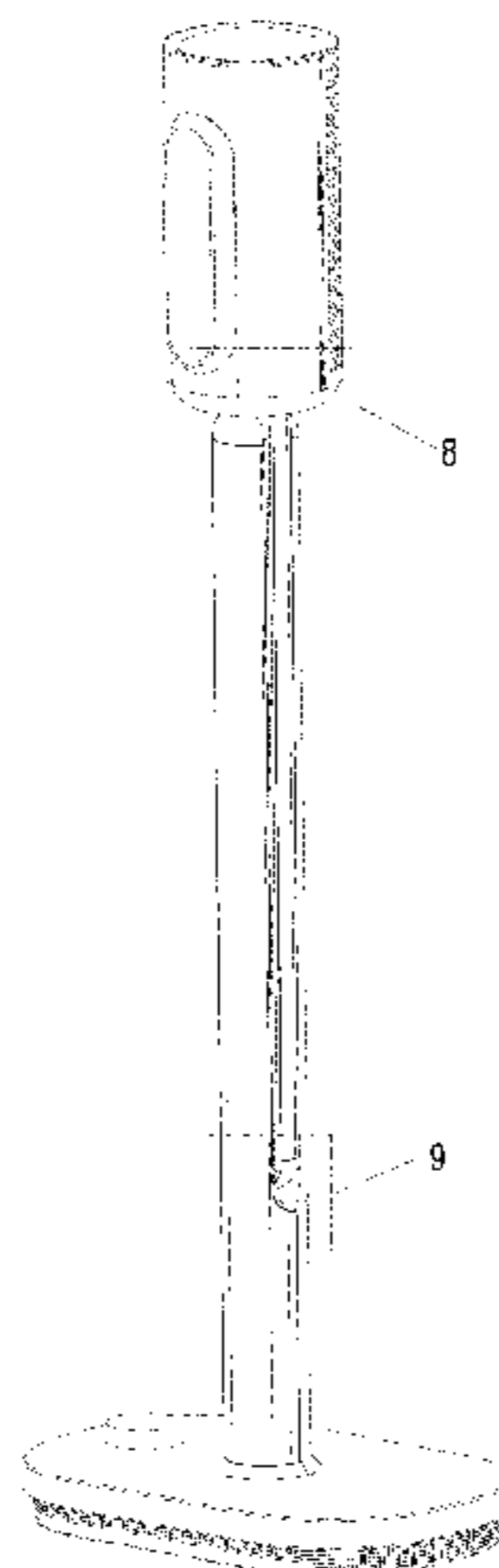
The dashed broken lines illustrate portions of the projector equipped with a lamp and form no part of the claimed

- D691,750 S * 10/2013 Mackiewicz G03B 21/2033
D26/3
- D743,594 S * 11/2015 Scazziga D26/37
(Continued)

FOREIGN PATENT DOCUMENTS

- CN 304621016 * 5/2018
- CN 305167606 * 5/2019
(Continued)

(Continued)



design. The dot-dash broken lines define the bounds of the claimed design and form no part thereof.

1 Claim, 10 Drawing Sheets

(58) **Field of Classification Search**

USPC D26/138, 139, 140, 141, 142, 67;
D14/125, 128
CPC F21S 2/00; F21S 4/00; F21S 4/003; F21S
4/005; F21S 4/006; F21S 4/007; F21S
4/008; F21S 6/00; F21S 8/00; F21S
8/024; F21S 8/026; F21S 8/031; F21S
8/033; F21S 8/035; F21S 8/037; F21S
8/04; F21S 8/043; F21S 8/063; G03B
21/204; G03B 21/2066; G03B 21/2033;
G03B 21/2013; G03B 21/202; G03B
21/2026; G03B 21/2046; G03B 21/2053

See application file for complete search history.

(56) **References Cited**

U.S. PATENT DOCUMENTS

D840,854 S * 2/2019 Shi D10/114.1
D851,805 S * 6/2019 Chen D26/76
D881,169 S * 4/2020 Renwick D14/228
D902,984 S * 11/2020 Ding D16/237
D903,934 S * 12/2020 Moses D26/138
D904,493 S * 12/2020 Wu D16/221
D906,401 S * 12/2020 Wu D16/221

D906,584 S * 12/2020 Moses D26/138
D912,127 S * 3/2021 Wu D16/235
D922,671 S * 6/2021 Elwell D26/138
D922,672 S * 6/2021 Elwell D26/138
D923,222 S * 6/2021 Le D26/42
D925,107 S * 7/2021 Yuan D26/118
D927,048 S * 8/2021 Chen D26/138
D929,027 S * 8/2021 Zhu D26/107
D940,368 S * 1/2022 Kao D26/40
2010/0118526 A1 * 5/2010 Chien F21V 15/013
362/230
2013/0314671 A1 * 11/2013 Tseng G03B 21/2066
353/31
2014/0140089 A1 * 5/2014 Graham F21S 2/00
362/555
2018/0106467 A1 * 4/2018 Mashiro F21V 23/06
2019/0171096 A1 * 6/2019 Yamagata G03B 21/2033

FOREIGN PATENT DOCUMENTS

EM 002439489-0007 * 5/2014
KR 300992276.0000 * 2/2019

OTHER PUBLICATIONS

“Westcott Ice Light 2,” Mar. 3, 2015, amazon.com, site visited Jan. 10, 2022, URL: <https://www.amazon.com/dp/B00U7Q6OBG/> (Year: 2015).*
Cigar Dave, “Great Heaters!” Feb. 25, 2016, amazon.com, site visited Jan. 10, 2022, URL: <https://www.amazon.com/AmazonBasics-Commercial-Patio-Heater-Stainless/dp/B00LILH47C?th=1> (Year: 2016).*

* cited by examiner

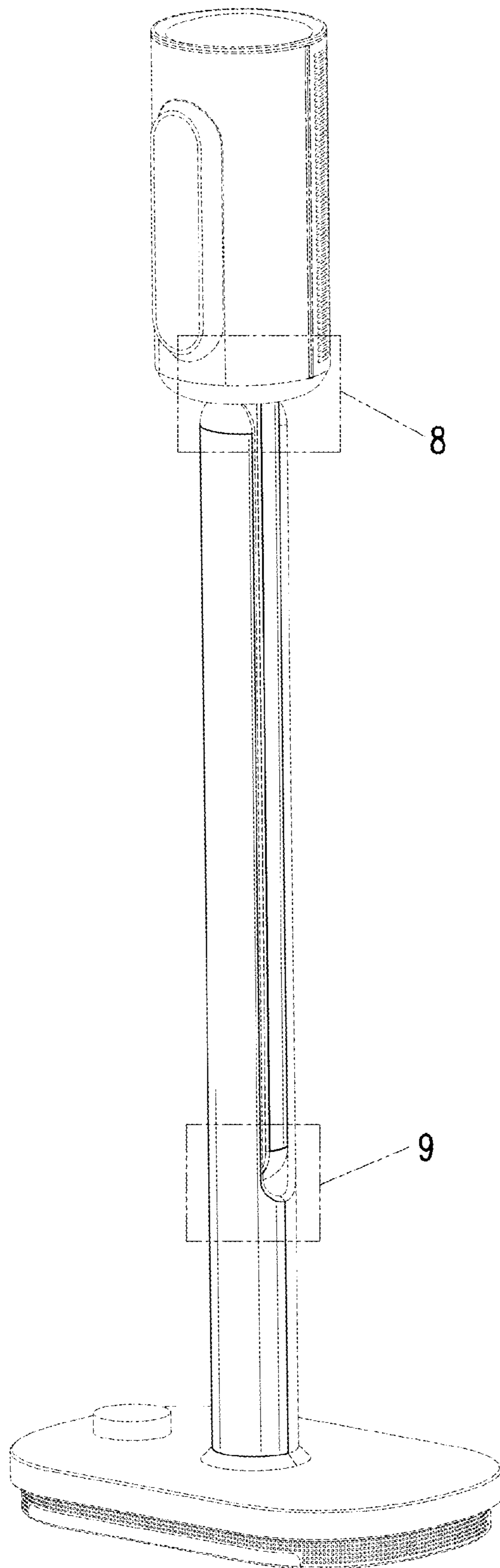


FIG. 1

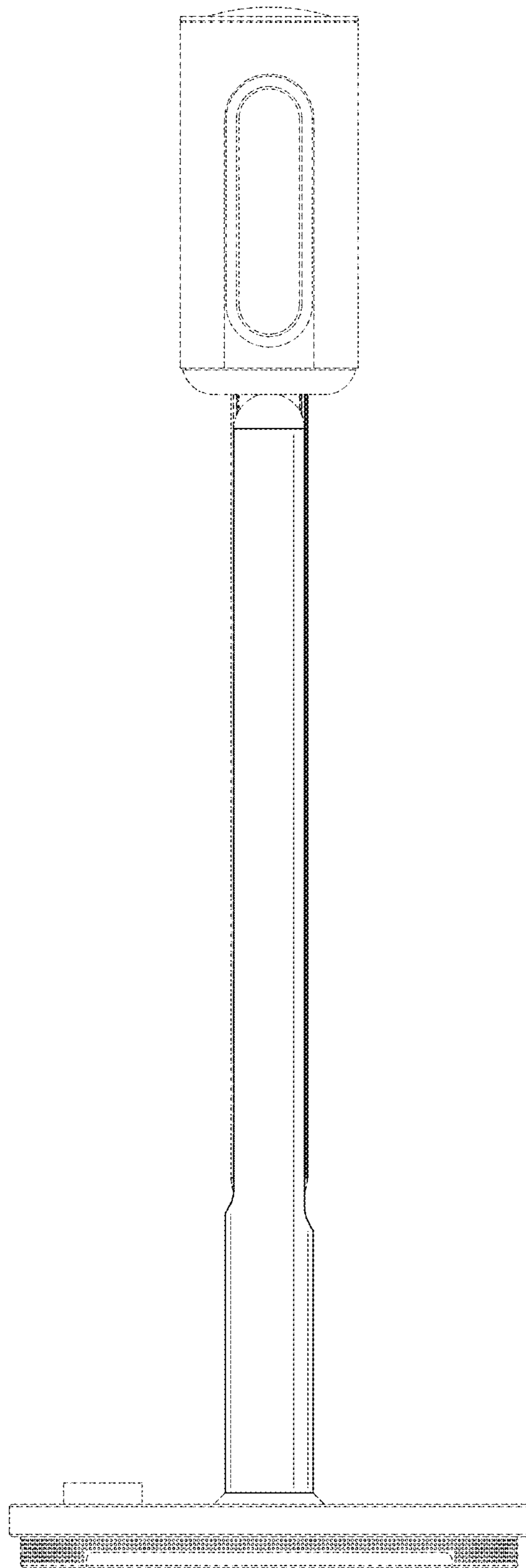


FIG. 2

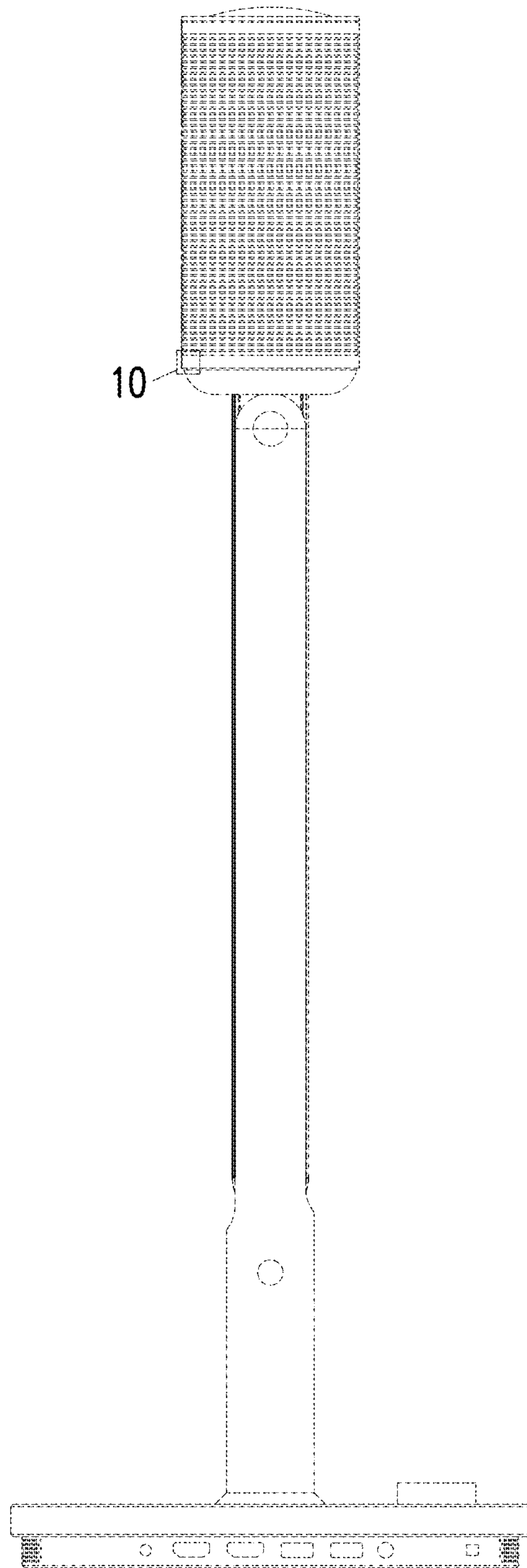


FIG. 3

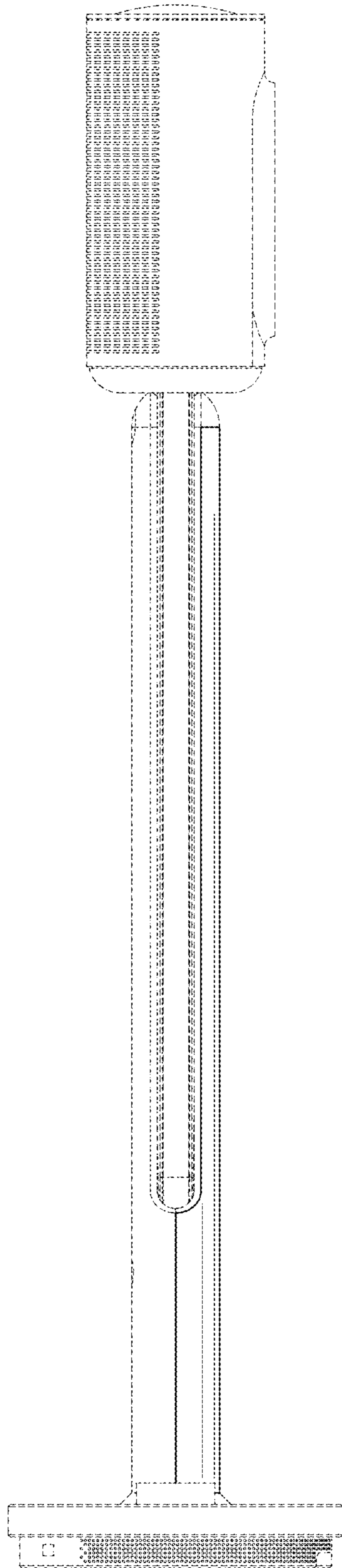


FIG. 4

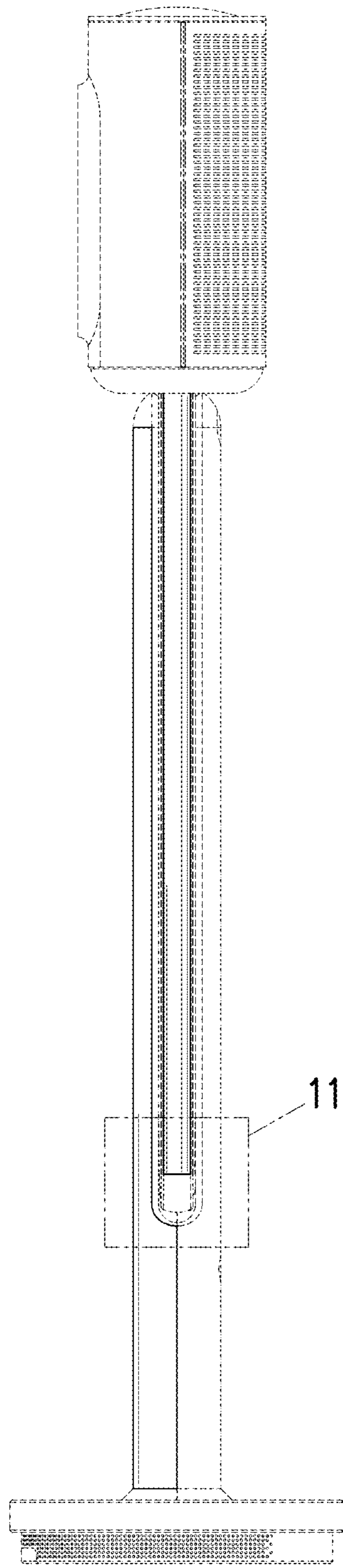


FIG. 5

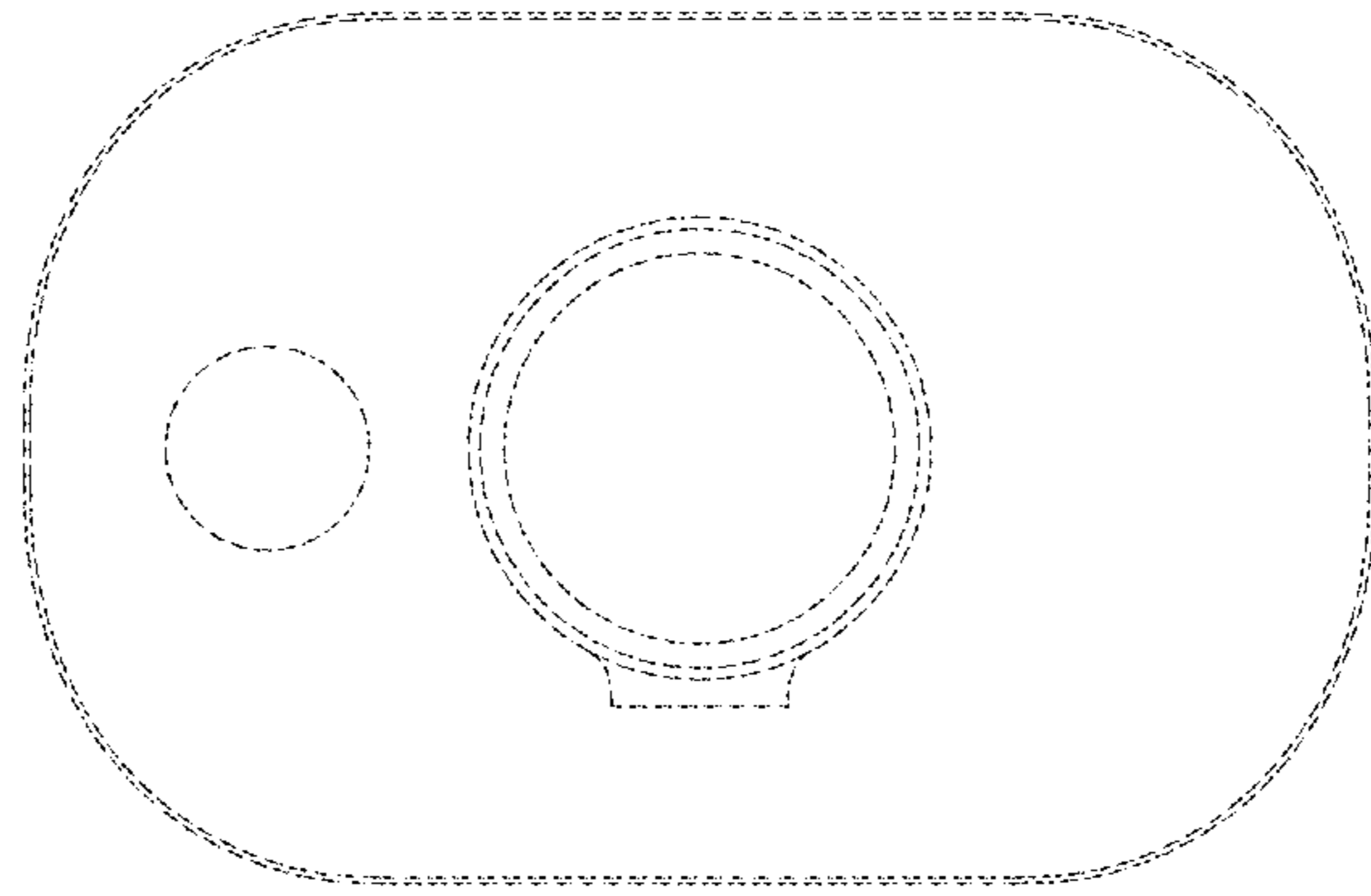


FIG. 6

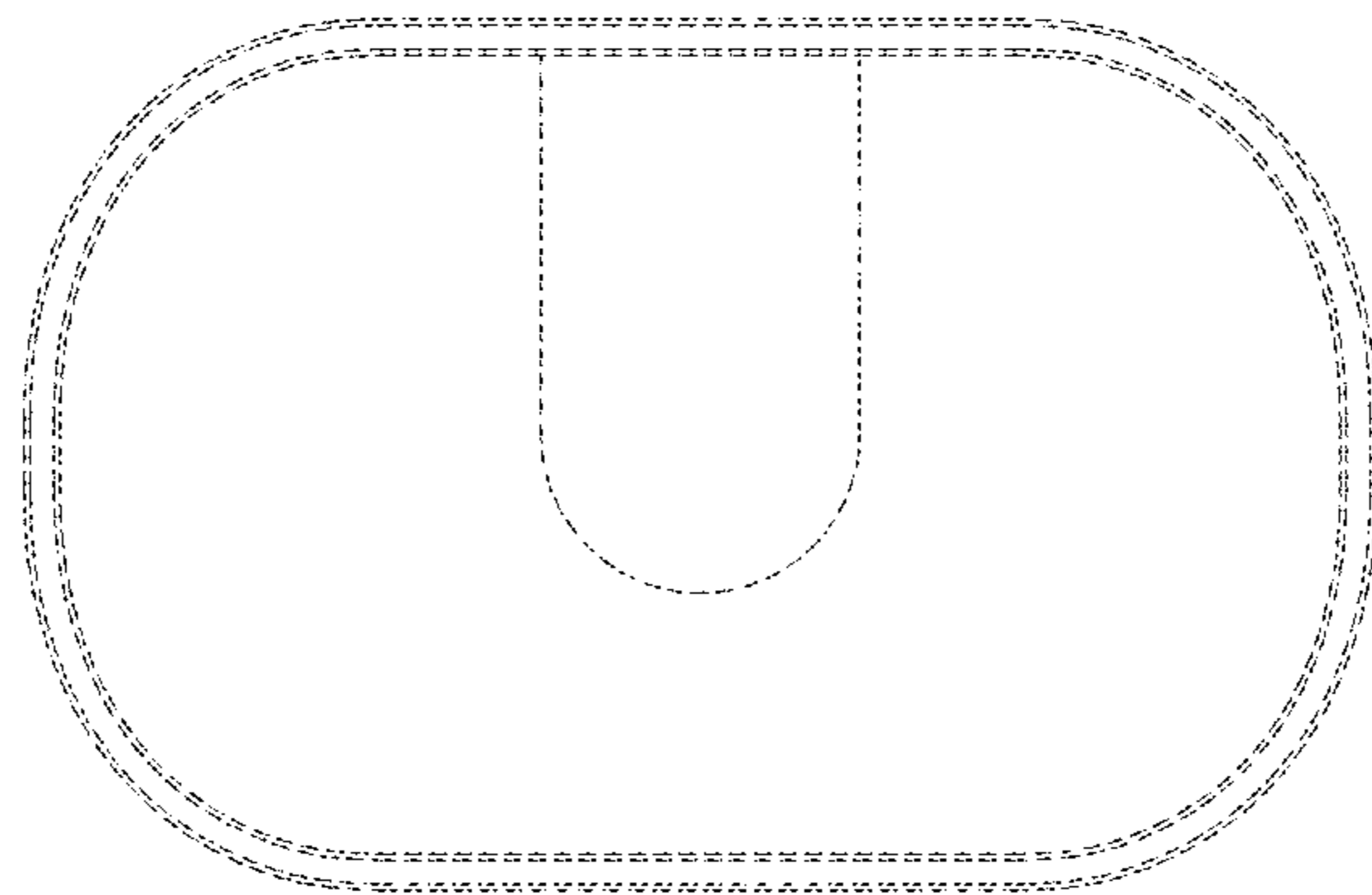


FIG. 7

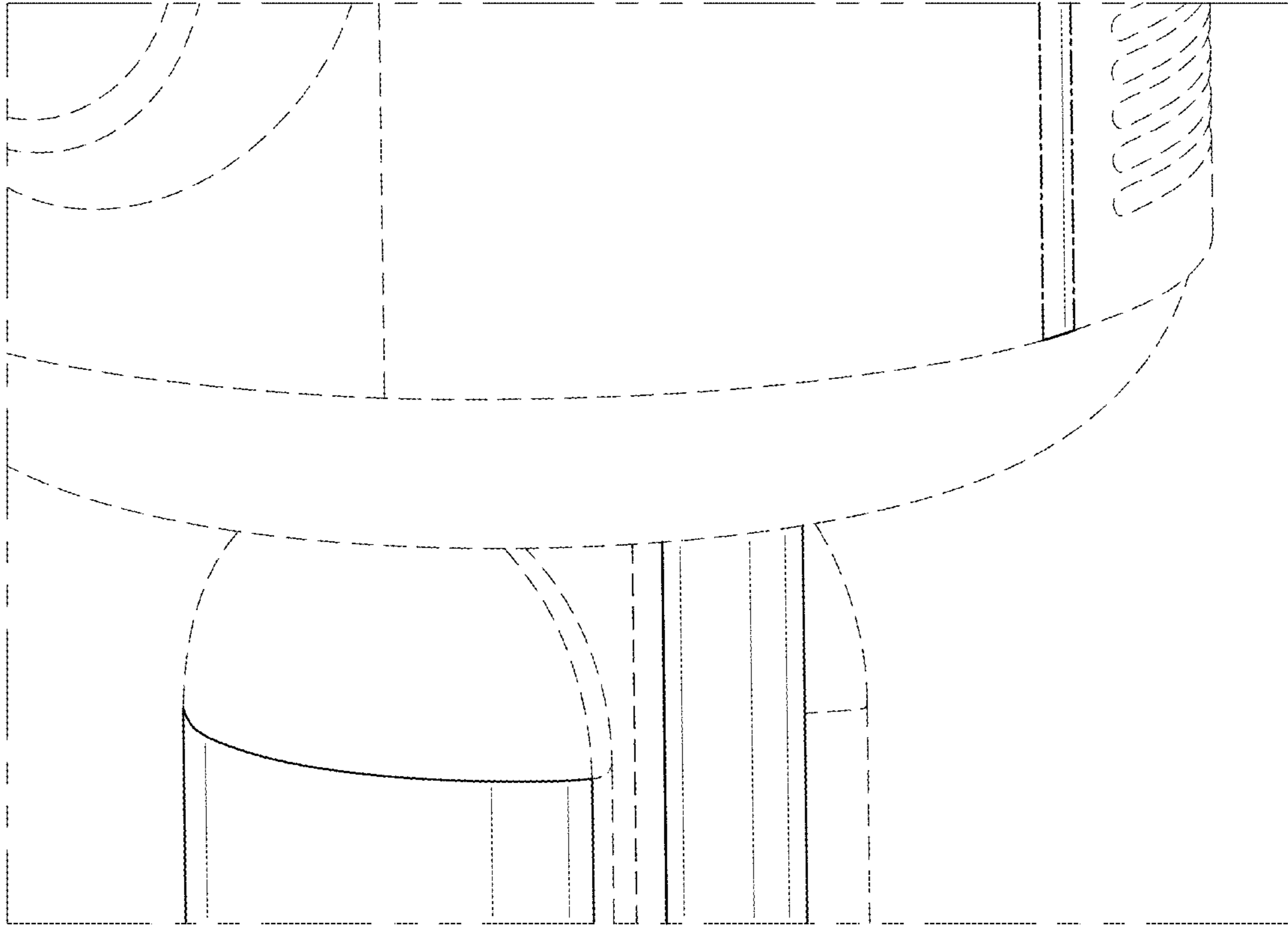


FIG. 8

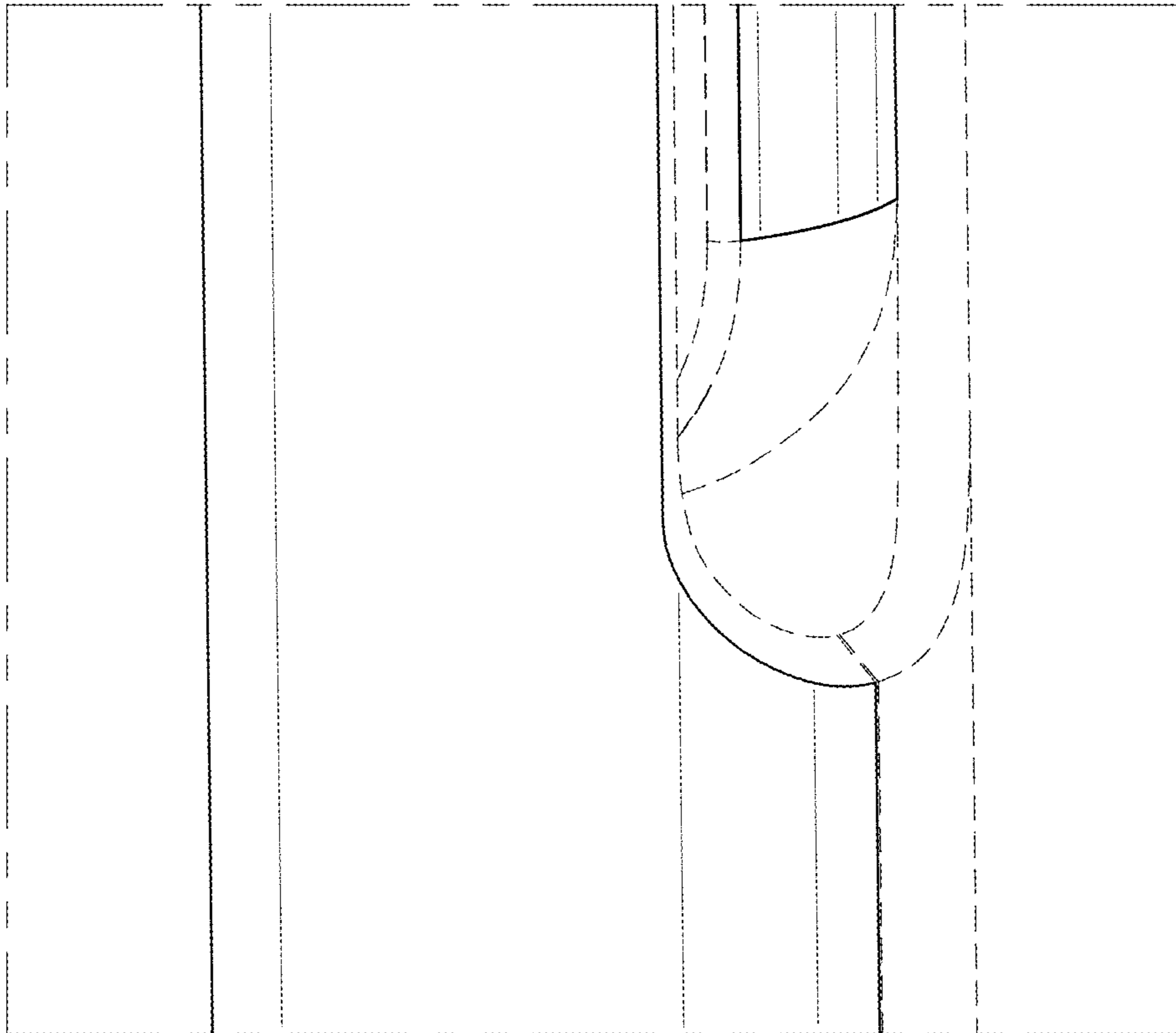


FIG. 9

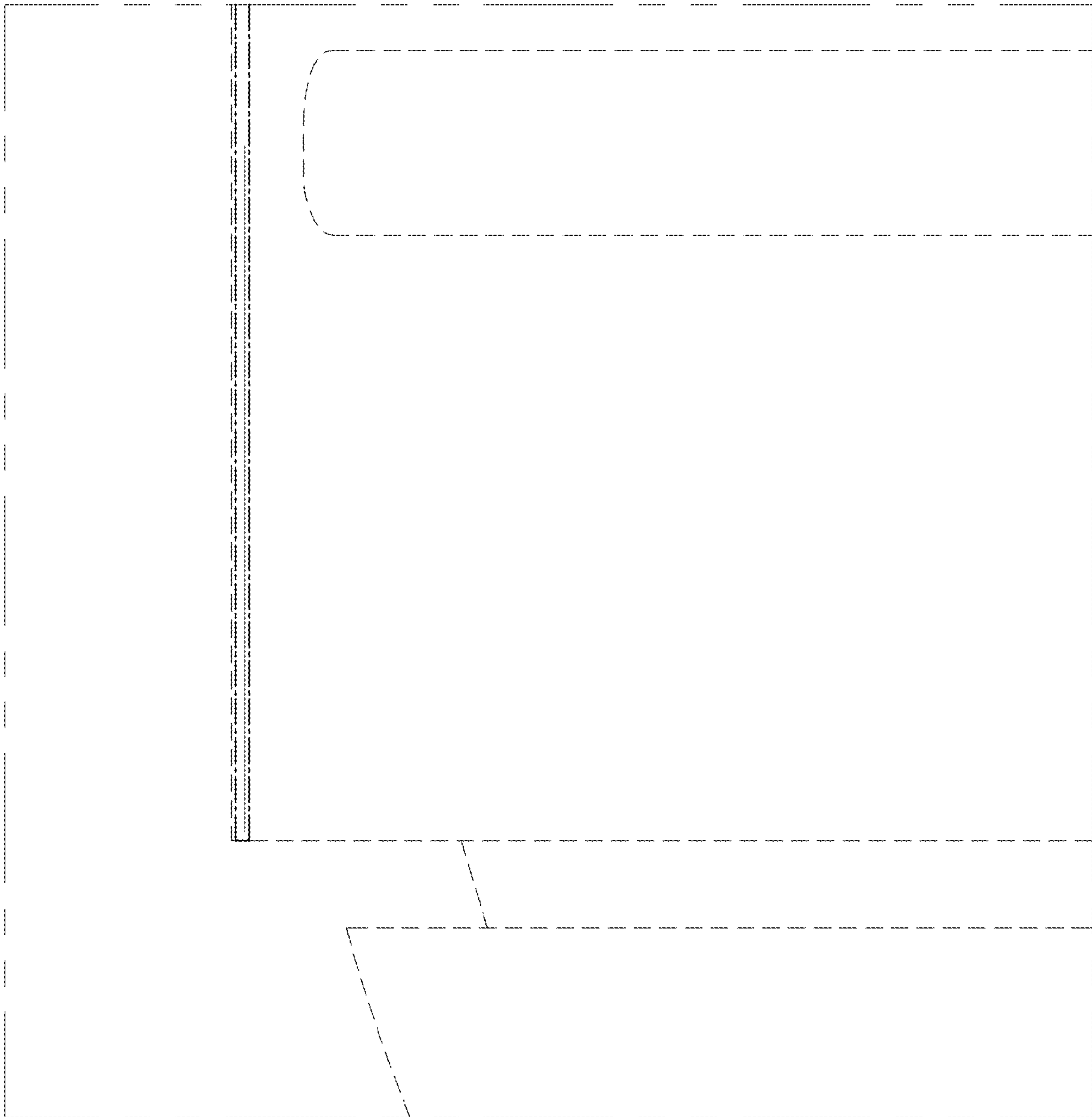


FIG. 10

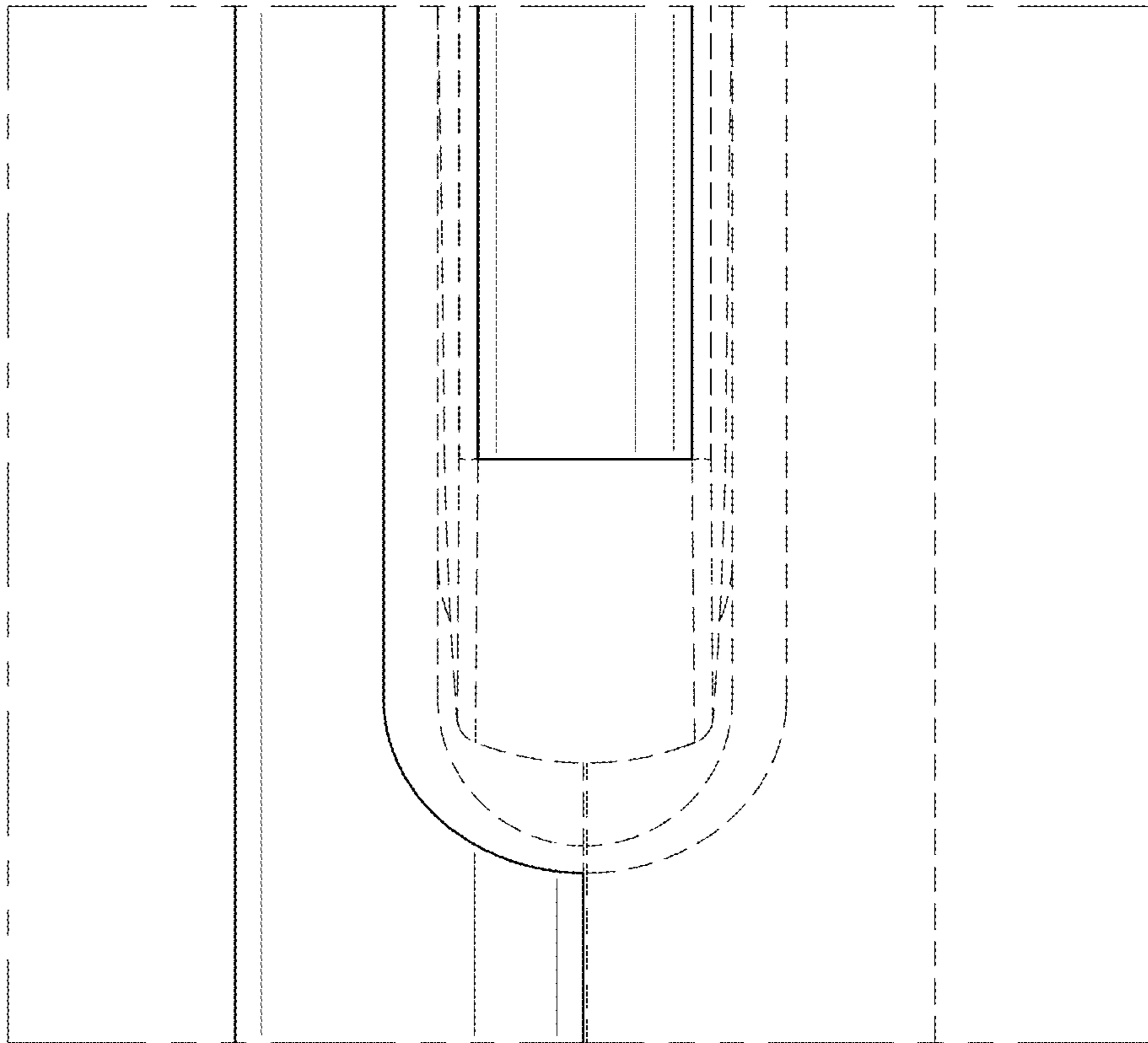


FIG. 11