



US00D964616S

(12) **United States Design Patent** (10) **Patent No.:** **US D964,616 S**
Zhao (45) **Date of Patent:** **** Sep. 20, 2022**

(54) **LIGHT**

(71) Applicant: **Lei Zhao**, Ninghai (CN)

(72) Inventor: **Lei Zhao**, Ninghai (CN)

(**) Term: **15 Years**

(21) Appl. No.: **29/776,834**

(22) Filed: **Apr. 1, 2021**

(51) **LOC (13) Cl.** **26-02**

(52) **U.S. Cl.**
USPC **D26/40**

(58) **Field of Classification Search**
USPC D26/24, 37-52, 60, 67-70, 72, 81, 88,
D26/93, 102, 104-107, 113, 118-120
CPC F21Y 2115/10; F21L 4/00; F21L 19/00;
F21L 27/00; F21W 2121/00; F21W
2111/10; F21W 2131/10; F21W
2131/109; F21W 2111/00; F21W
2121/004; F21V 21/08; F21S 9/037; F21S
9/03; F21S 8/081; F21S 11/00

See application file for complete search history.

(56) **References Cited**

U.S. PATENT DOCUMENTS

D254,695 S *	4/1980	Bobrovniczky	D26/118
D429,018 S *	8/2000	De'Armond	D26/72
D469,907 S *	2/2003	Chen	D26/67
D483,895 S *	12/2003	Kuelbs	D26/67
D534,676 S	1/2007	Chen		
D563,016 S *	2/2008	Ho	D26/67
D563,585 S *	3/2008	Lee	D26/67
D604,440 S *	11/2009	Chen	D26/67
D653,379 S	1/2012	Chen		
D666,758 S *	9/2012	Ho	D26/67
D693,956 S *	11/2013	Yang	D26/85
D694,932 S *	12/2013	Meyer	D26/67
D713,587 S	9/2014	Clark et al.		
D730,554 S *	5/2015	Orellana	D26/67
D822,866 S *	7/2018	Chen	D26/67
D831,876 S	10/2018	Moon		

D839,463 S	1/2019	Fu		
D906,573 S *	12/2020	Smith	D26/85
D912,300 S *	3/2021	Chen	D26/85
2006/0109647 A1 *	5/2006	Liu	F21S 9/037 362/183

OTHER PUBLICATIONS

Pasamic 2 Pack Solar Wall Lanterns. By Pasamic. Dated Dec. 9, 2020. Found online [Nov. 23, 2021]. https://www.amazon.com/Lanterns-Anti-Rust-Waterproof-Aluminum-Protection/dp/B08Q3791H5/ref=psdc_5486443011_t1_B093KTNCW4 (Year: 2020).*

Metal Solar Lanterns. By Suponar. Dated Apr. 27, 2021. Found online [Nov. 23, 2021]. <https://www.amazon.com/Lanterns-Outdoor-Waterproof-Hanging-Decorative/dp/B093KTNCW4> (Year: 2021).* <https://www.amazon.com/Lanterns-Anti-Rust-Waterproof-Aluminum-Protection/dp/B08Q3791H5>; Dec. 9, 2020.

* cited by examiner

Primary Examiner — Marissa J Cash

Assistant Examiner — William B Melliar

(74) *Attorney, Agent, or Firm* — Rumit Ranjit Kanakia

(57) **CLAIM**

I claim the ornamental design for a light, as shown and described.

DESCRIPTION

FIG. 1 is a Perspective view of a light showing my new design;

FIG. 2 is a Front view thereof;

FIG. 3 is a Back view thereof;

FIG. 4 is a Right-side view thereof;

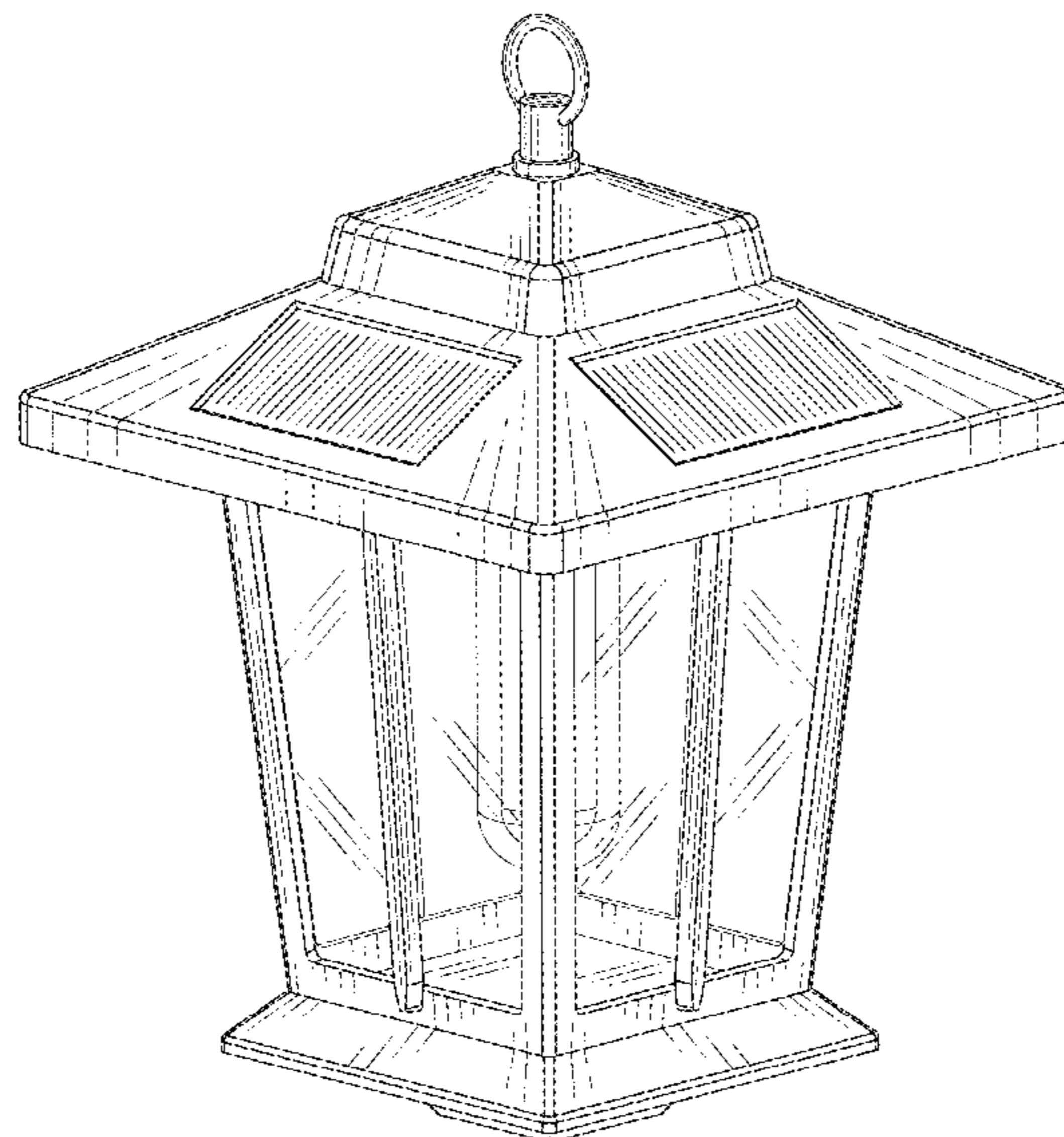
FIG. 5 is a Left-side view thereof;

FIG. 6 is a Top view thereof; and,

FIG. 7 is a Bottom view thereof.

The broken lines in the drawings depict portions of the light that form no part of the claimed design.

1 Claim, 7 Drawing Sheets



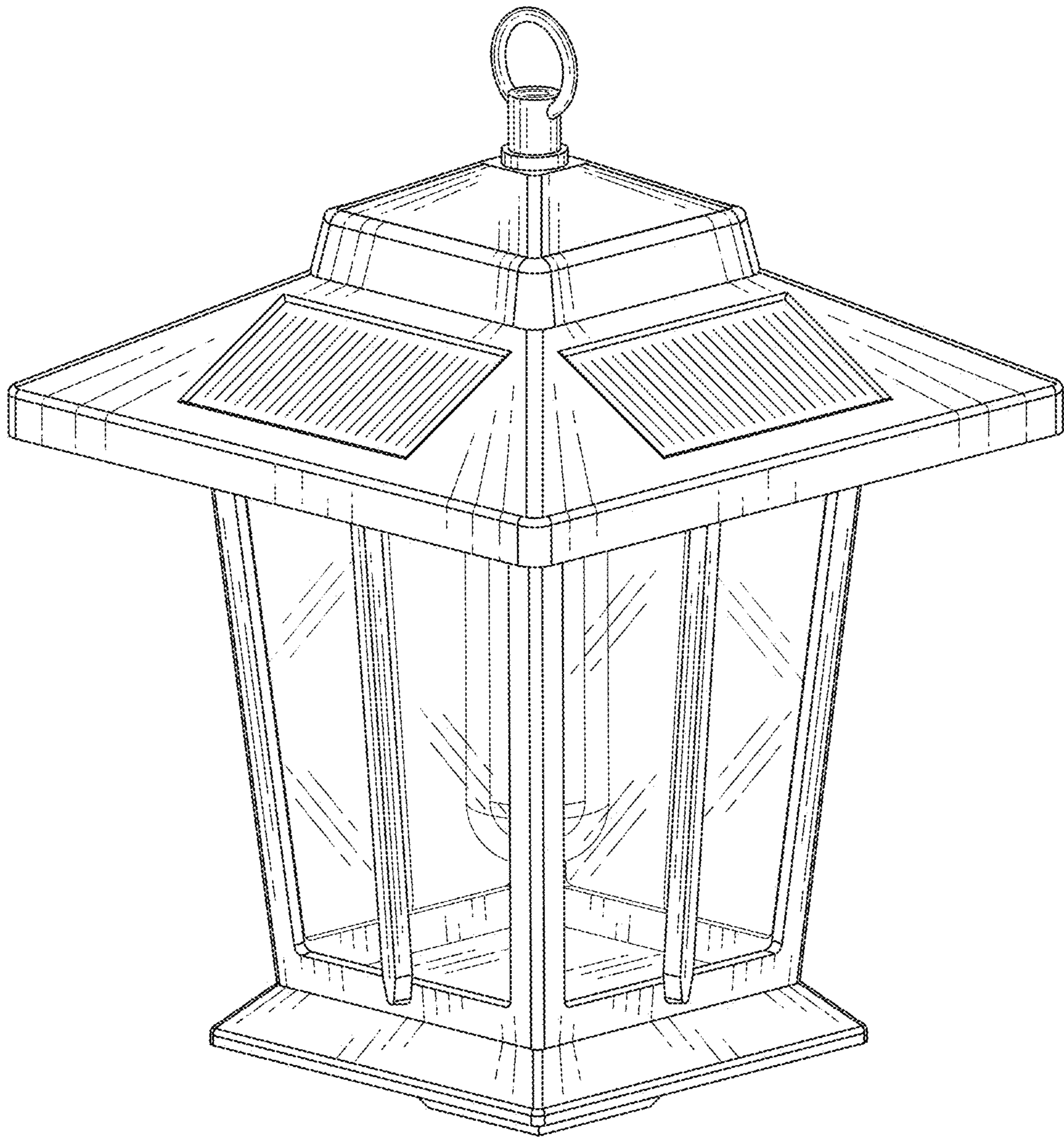


FIG. 1

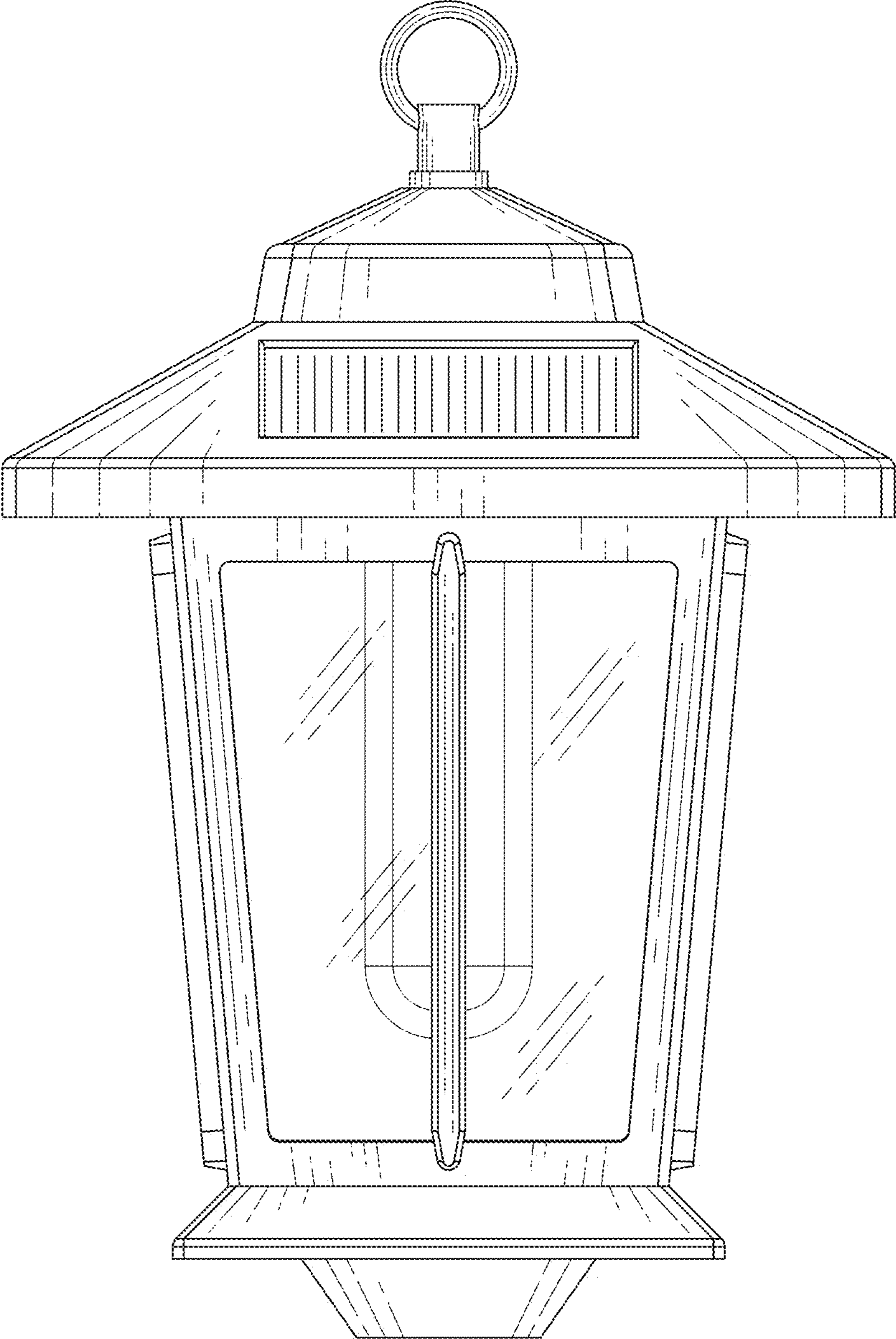


FIG. 2

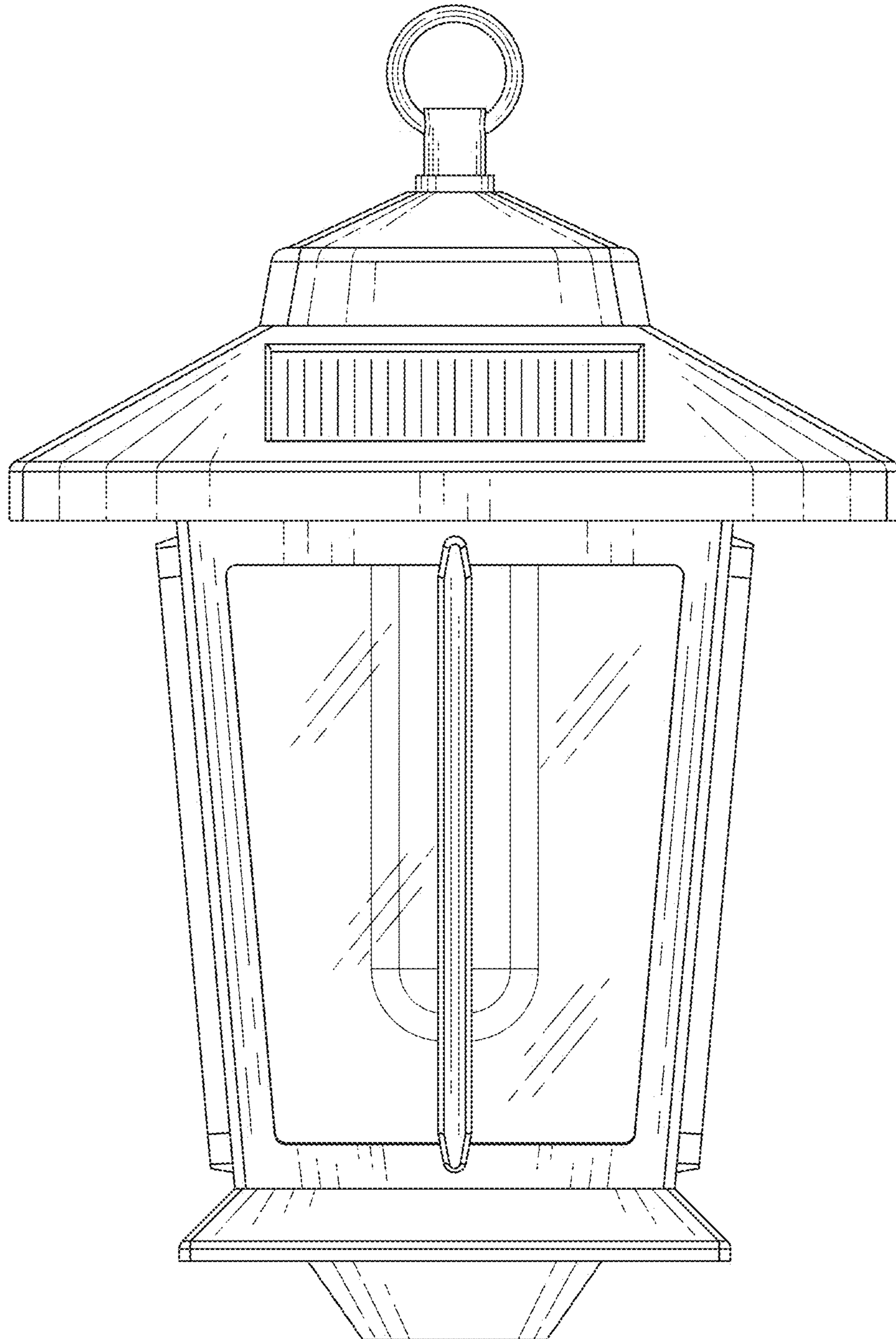


FIG. 3

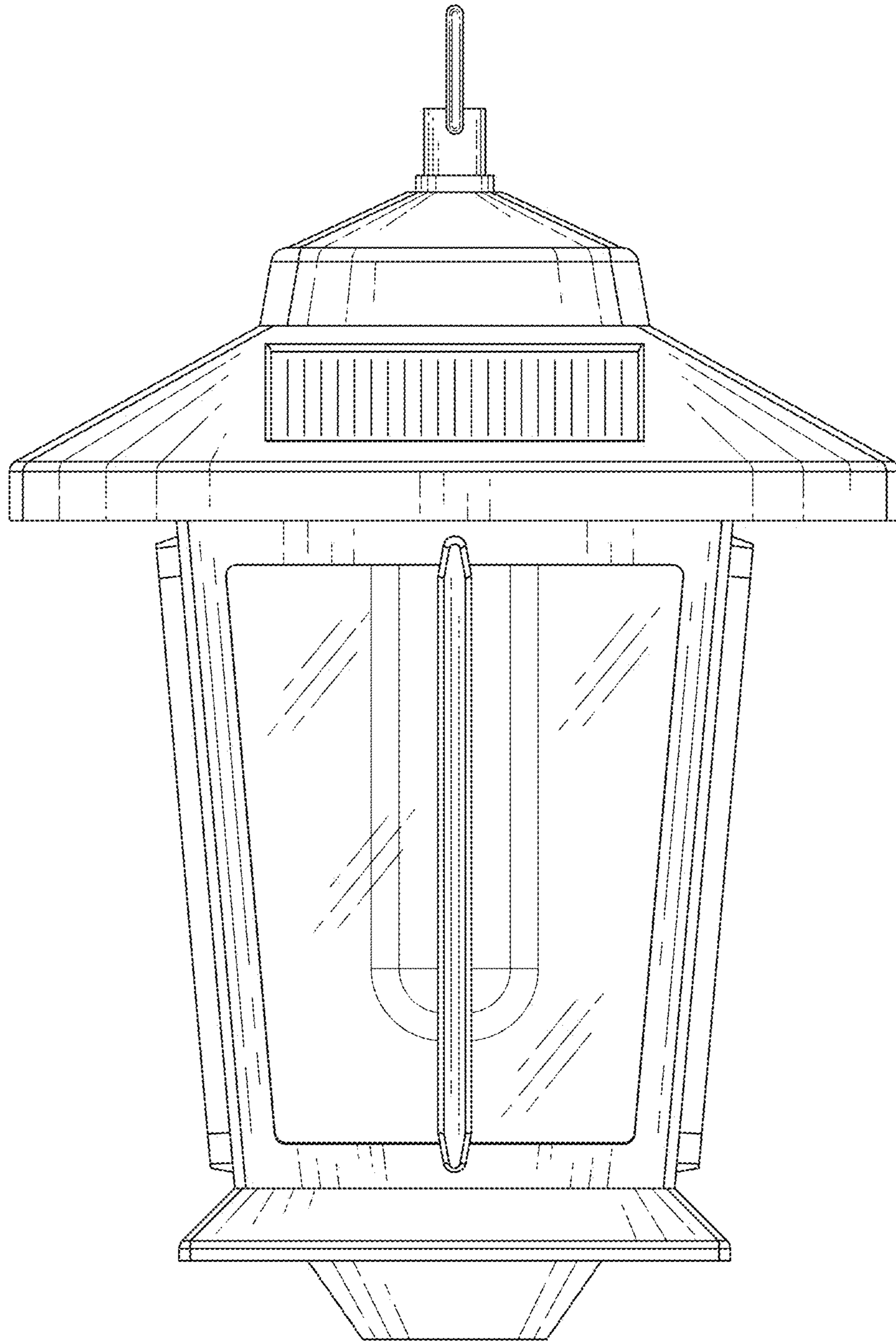


FIG. 4

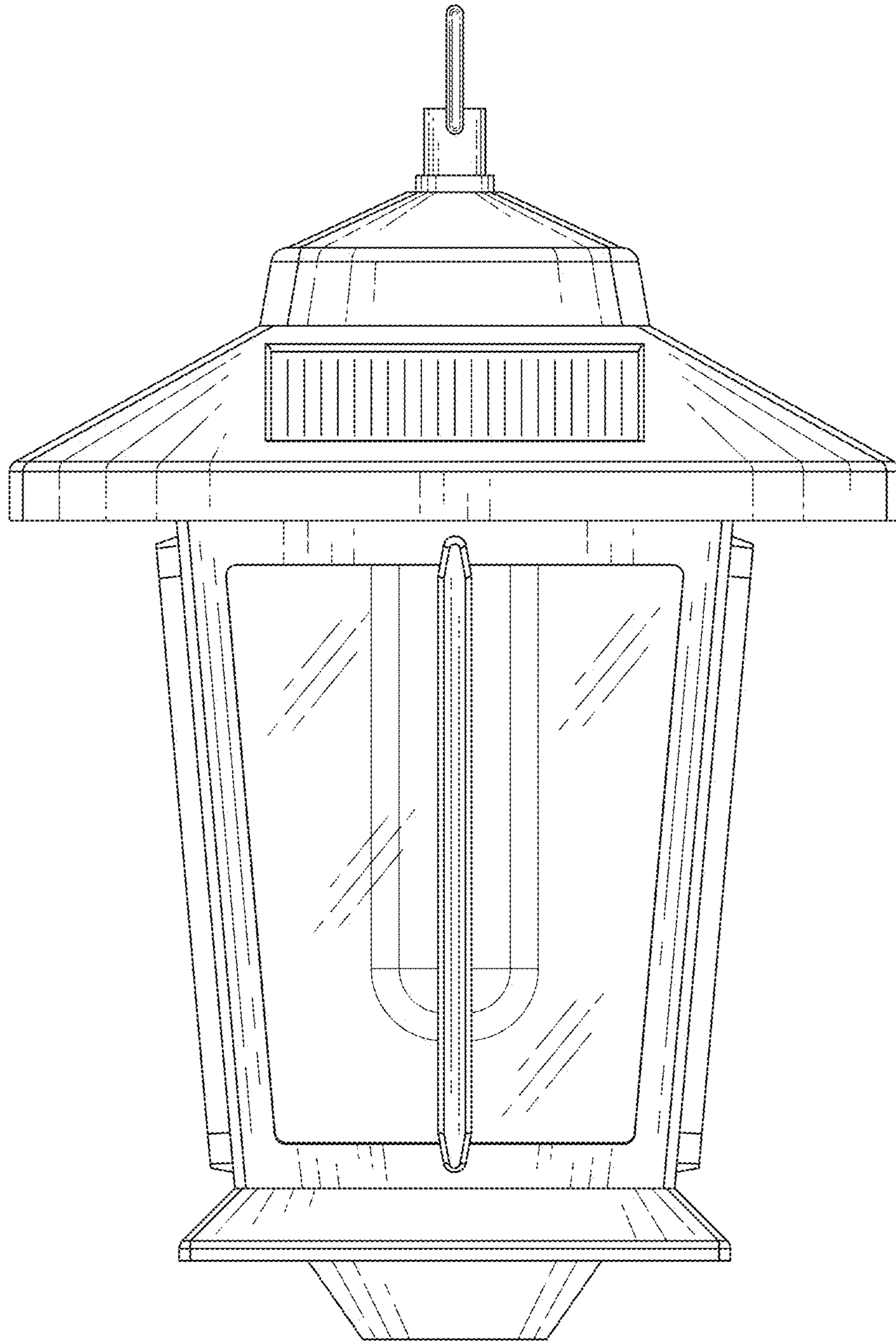


FIG. 5

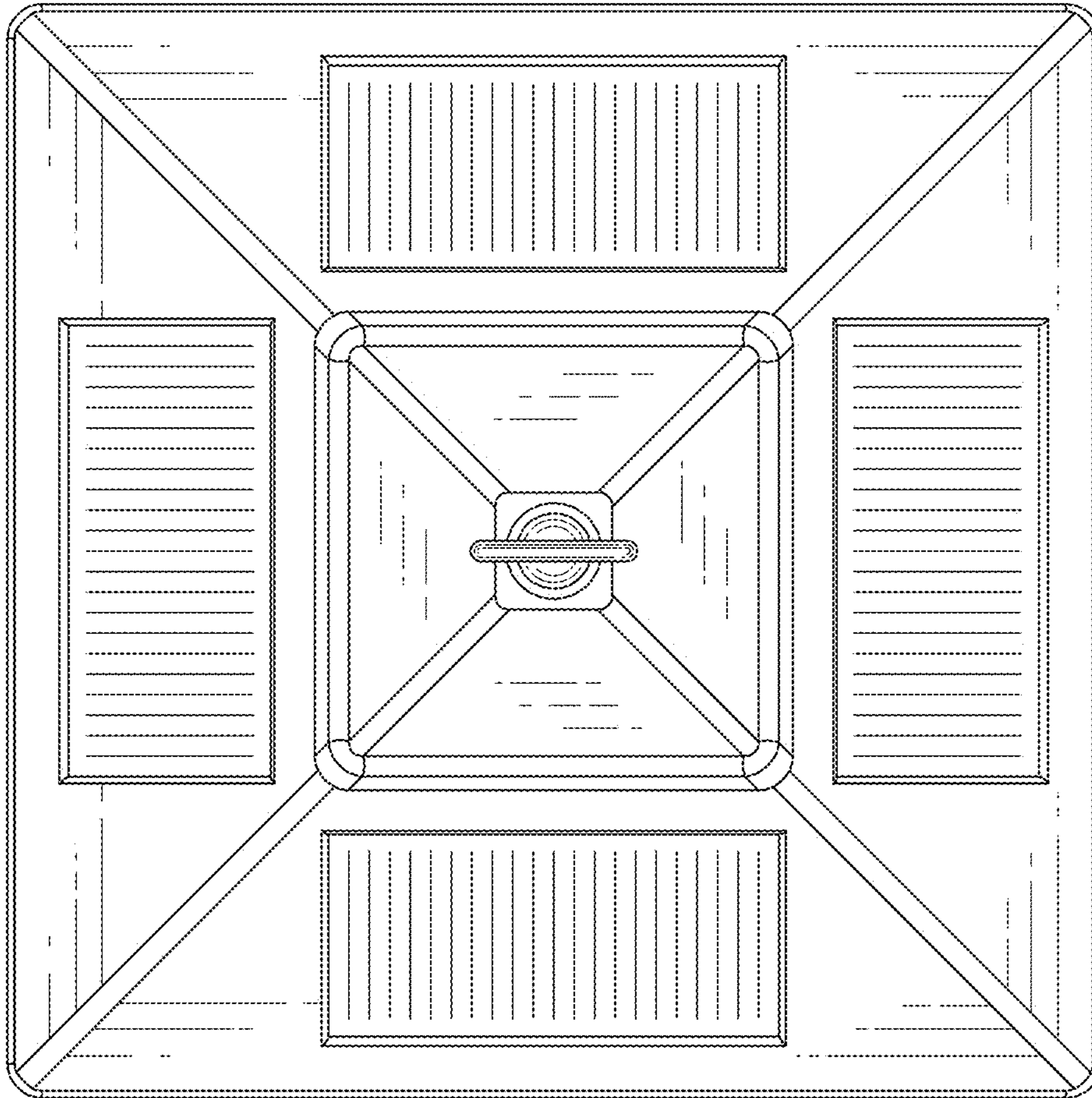


FIG. 6

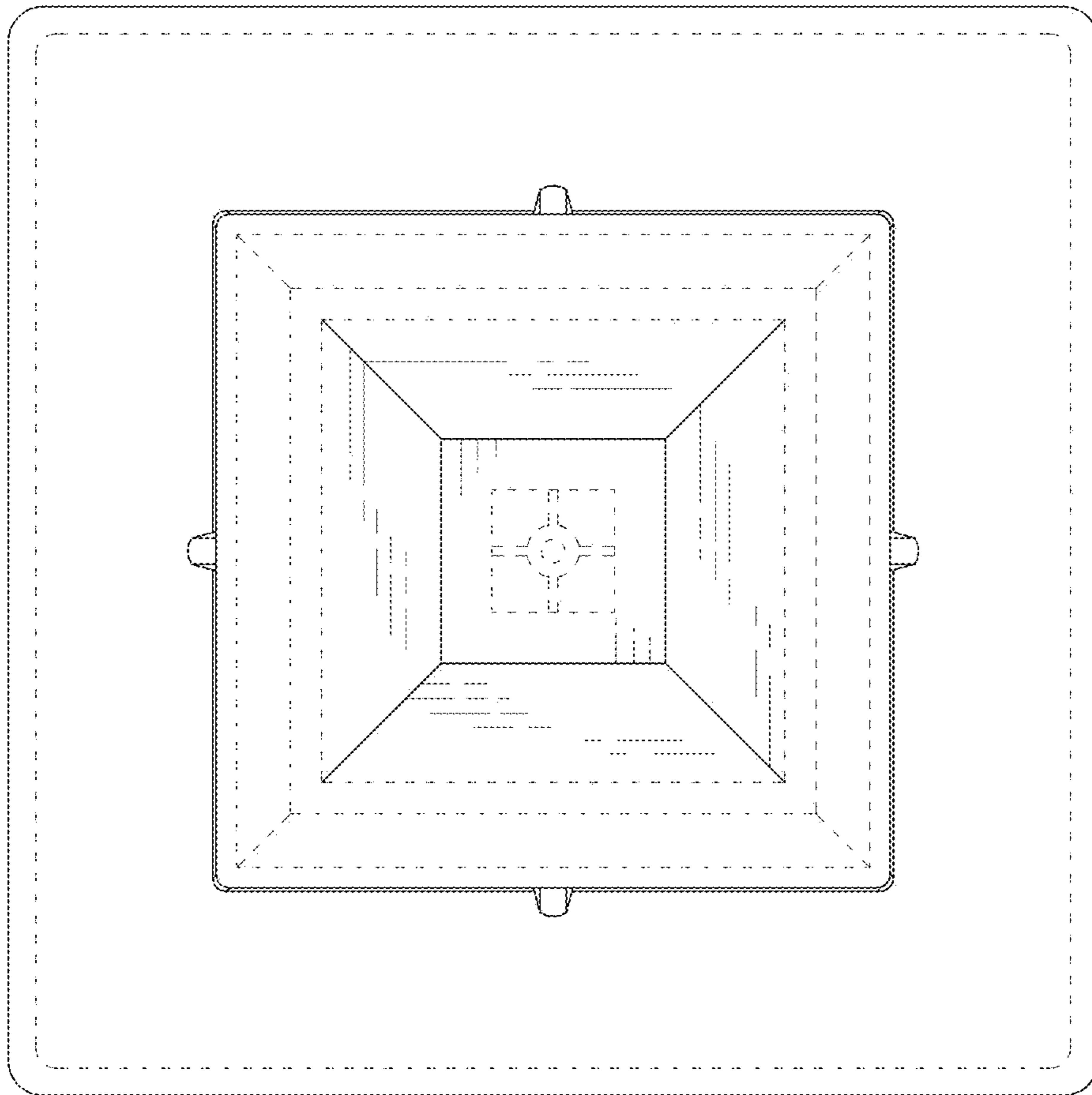


FIG. 7