



US00D964615S

(12) **United States Design Patent**
Dugan

(10) **Patent No.:** **US D964,615 S**

(45) **Date of Patent:** **** Sep. 20, 2022**

(54) **LANTERN**

(71) Applicant: **James Dugan**, Greenwood, IN (US)

(72) Inventor: **James Dugan**, Greenwood, IN (US)

(**) Term: **15 Years**

(21) Appl. No.: **29/770,918**

(22) Filed: **Feb. 17, 2021**

(51) **LOC (13) Cl.** **26-02**

(52) **U.S. Cl.**
USPC **D26/40**

(58) **Field of Classification Search**
USPC D26/24, 37-52, 60, 72, 81, 87-88,
D26/93-95, 104-108, 110, 113
CPC F21L 4/00; F21L 19/00; F21L 4/02; F21L
14/00; F21L 14/02; F21L 4/027; F21Y
2115/10; F21Y 2113/00; F21V 23/0414;
F21V 21/00; F21V 15/01; F21V 1/06
See application file for complete search history.

(56) **References Cited**

U.S. PATENT DOCUMENTS

D319,890 S	*	9/1991	Stork	D26/41
D463,613 S	*	9/2002	Block	D26/142
D480,828 S	*	10/2003	Block	D26/110
D498,319 S	*	11/2004	Poon	D26/40
D706,968 S	*	6/2014	McDonough	D26/41
D728,836 S	*	5/2015	Metlen	D26/41
D764,692 S	*	8/2016	Montemagni	D26/40
D863,655 S	*	10/2019	Huang	D26/110

D871,646 S	*	12/2019	Gratton	D26/86
D872,344 S	*	1/2020	Gratton	D26/86
D906,576 S	*	12/2020	Kim	D26/87
D912,300 S	*	3/2021	Chen	D26/85
D942,061 S	*	1/2022	Peng	D26/37

FOREIGN PATENT DOCUMENTS

CN 302652722 * 11/2013

* cited by examiner

Primary Examiner — Marissa J Cash

Assistant Examiner — William B Melliar

(74) *Attorney, Agent, or Firm* — Brannon Sowers & Cracraft PC

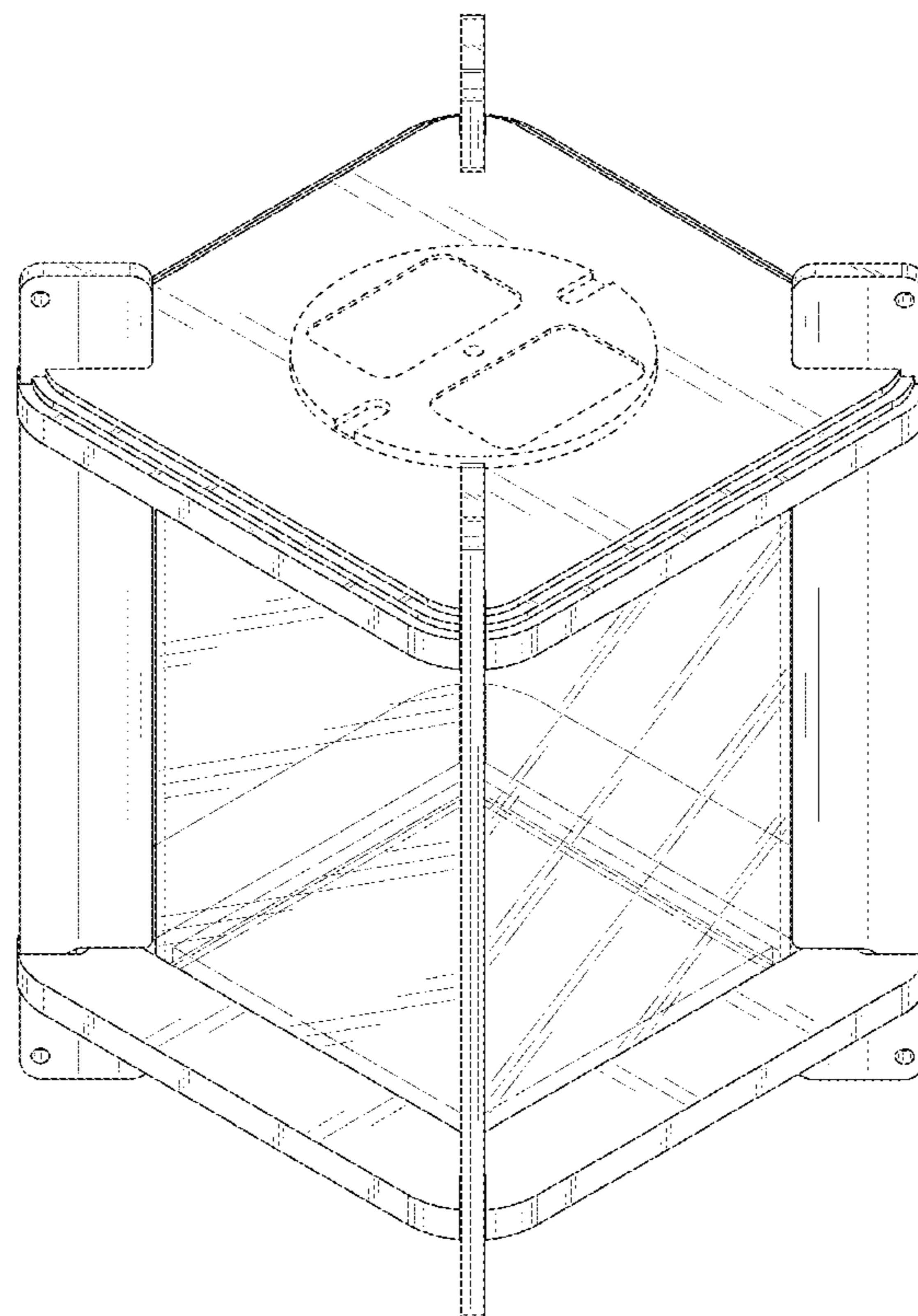
(57) **CLAIM**

The ornamental design for a lantern, as shown and described.

DESCRIPTION

FIG. 1 is a top perspective view of a lantern, showing my new design;
FIG. 2 is a front side elevation view thereof;
FIG. 3 is a back side elevation view thereof;
FIG. 4 is a left side elevation view thereof;
FIG. 5 is a right side elevation view thereof;
FIG. 6 is a top plan view thereof; and,
FIG. 7 is a bottom plan view thereof.
The broken lines in the drawings depict portions of the lantern form no part of the claimed design.

1 Claim, 7 Drawing Sheets



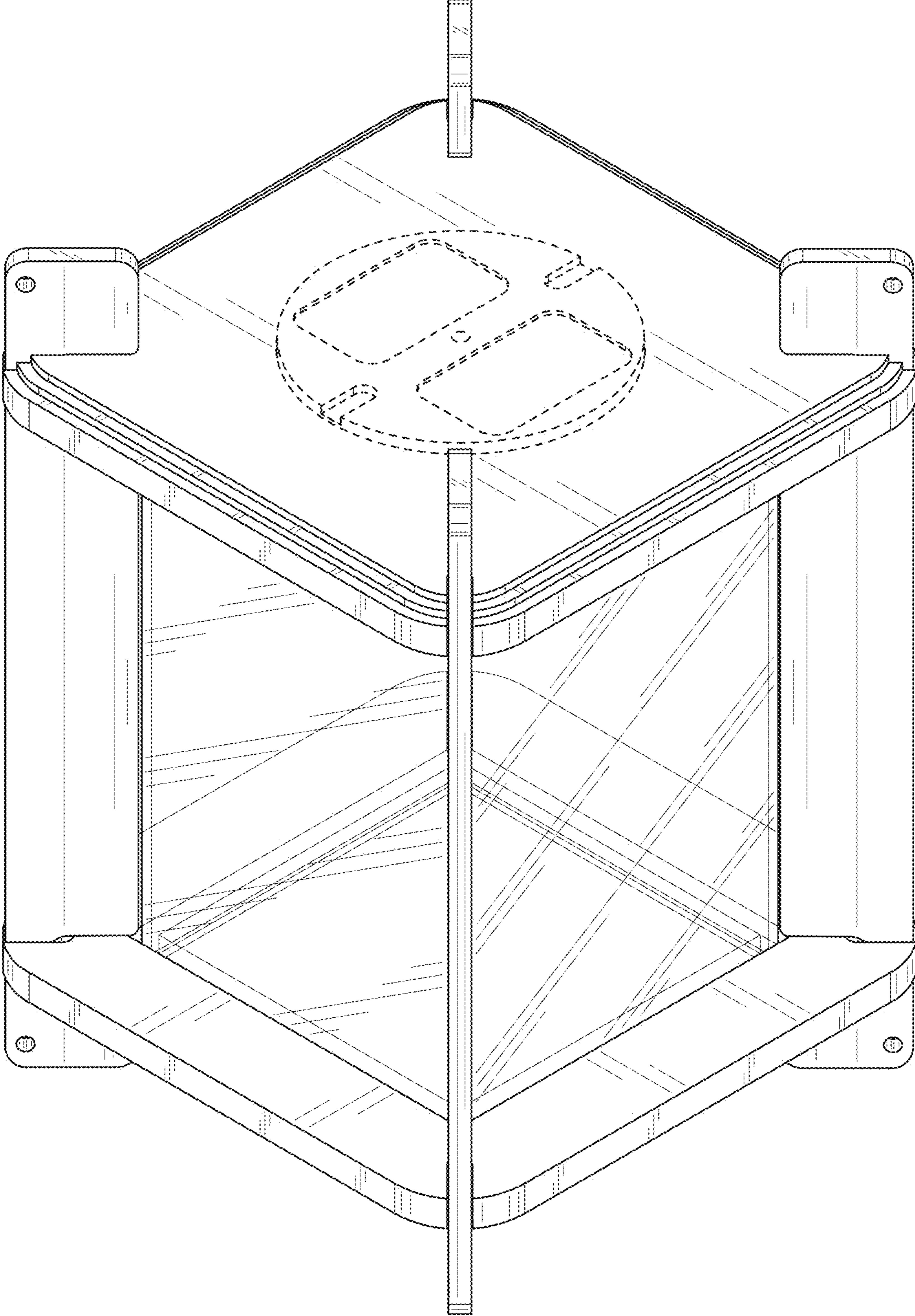


FIG. 1

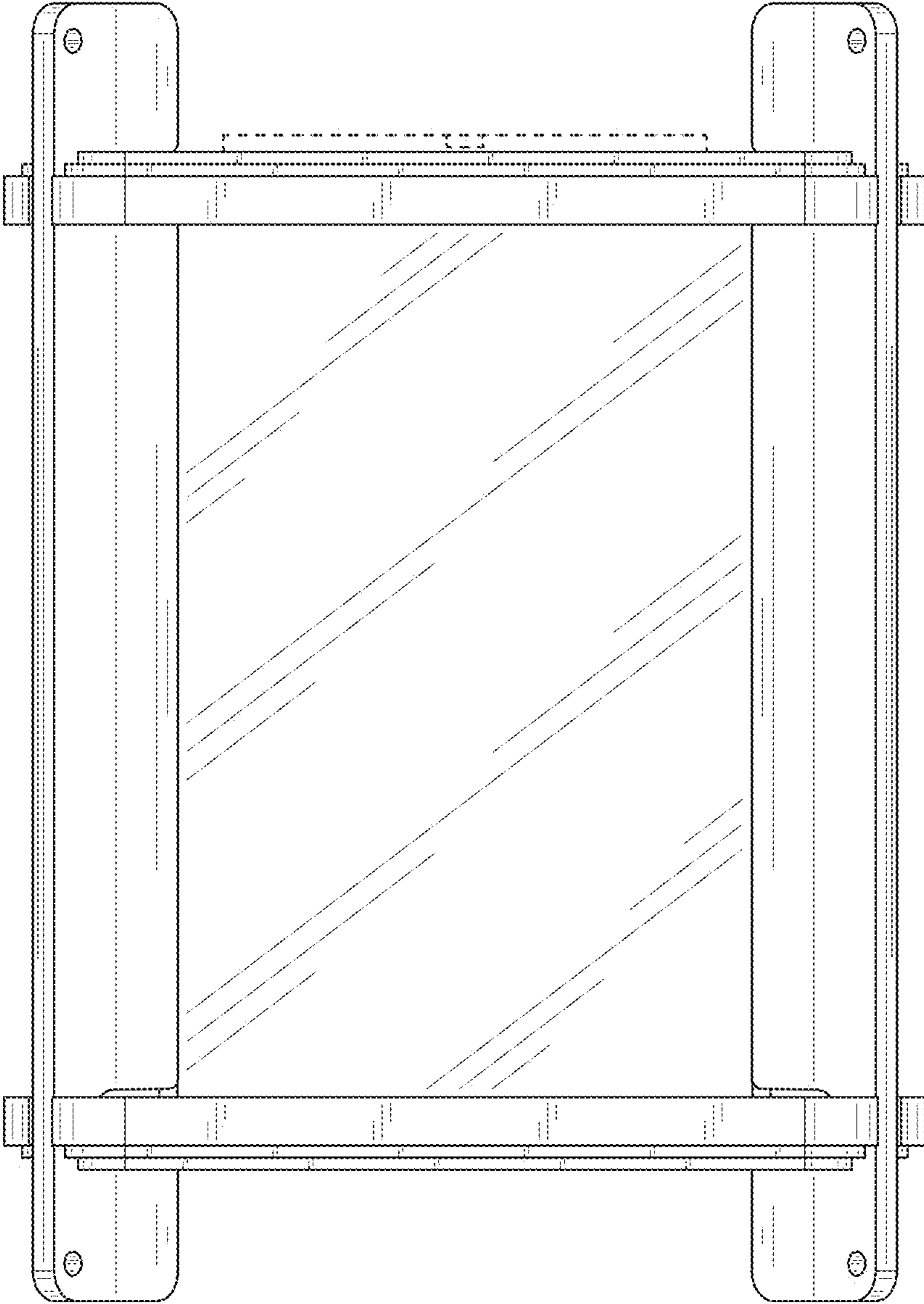


FIG. 2

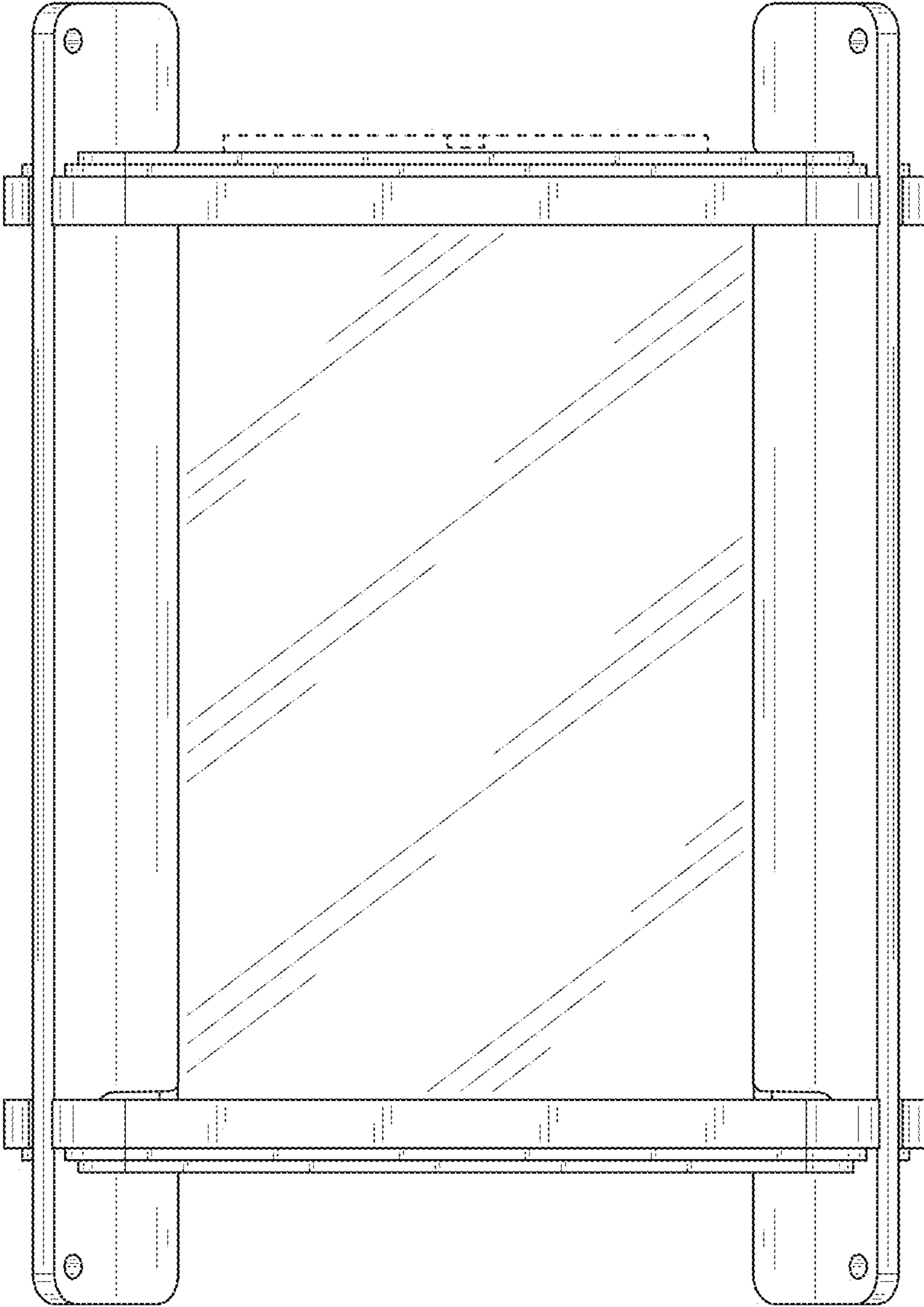


FIG. 3

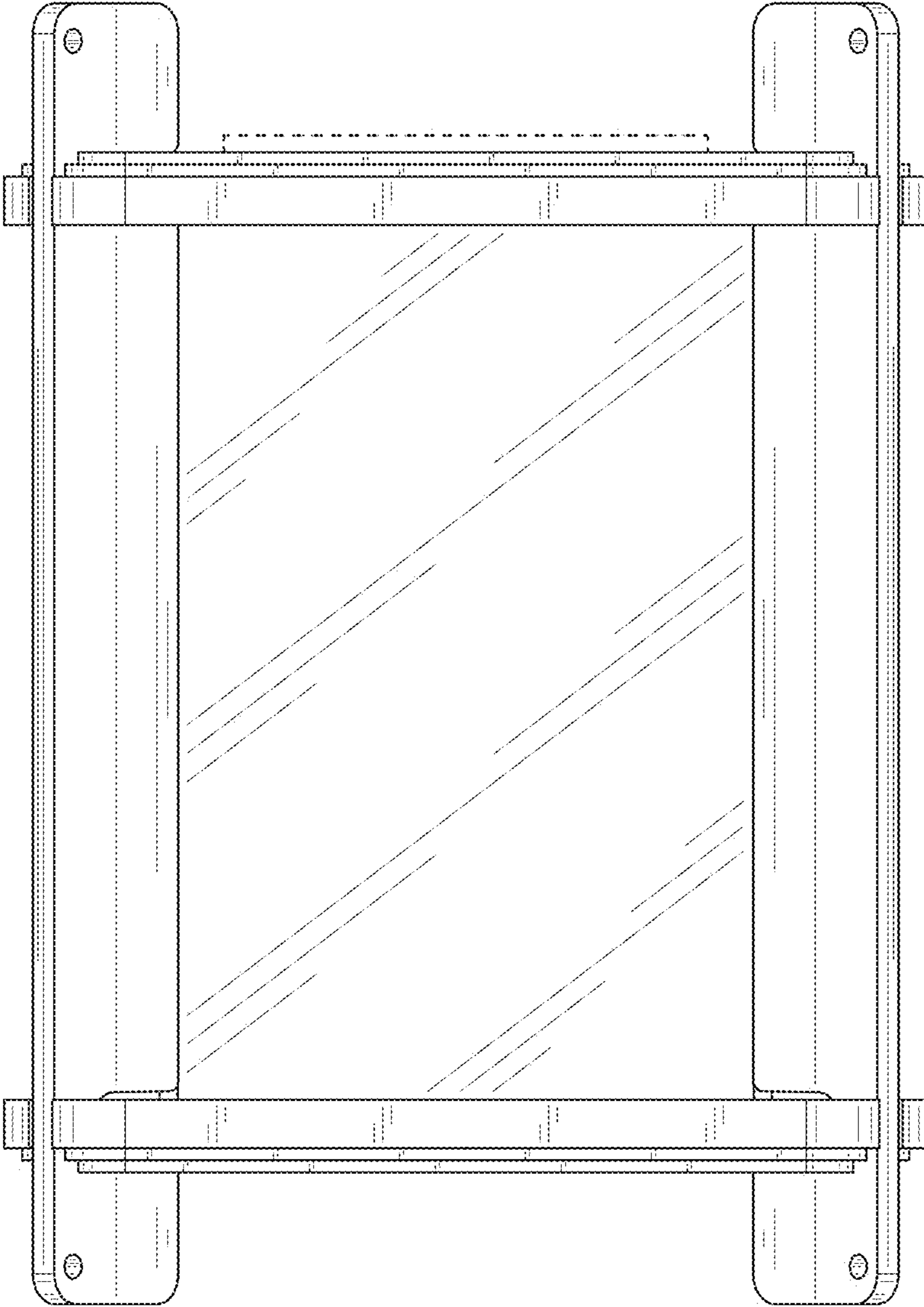


FIG. 4

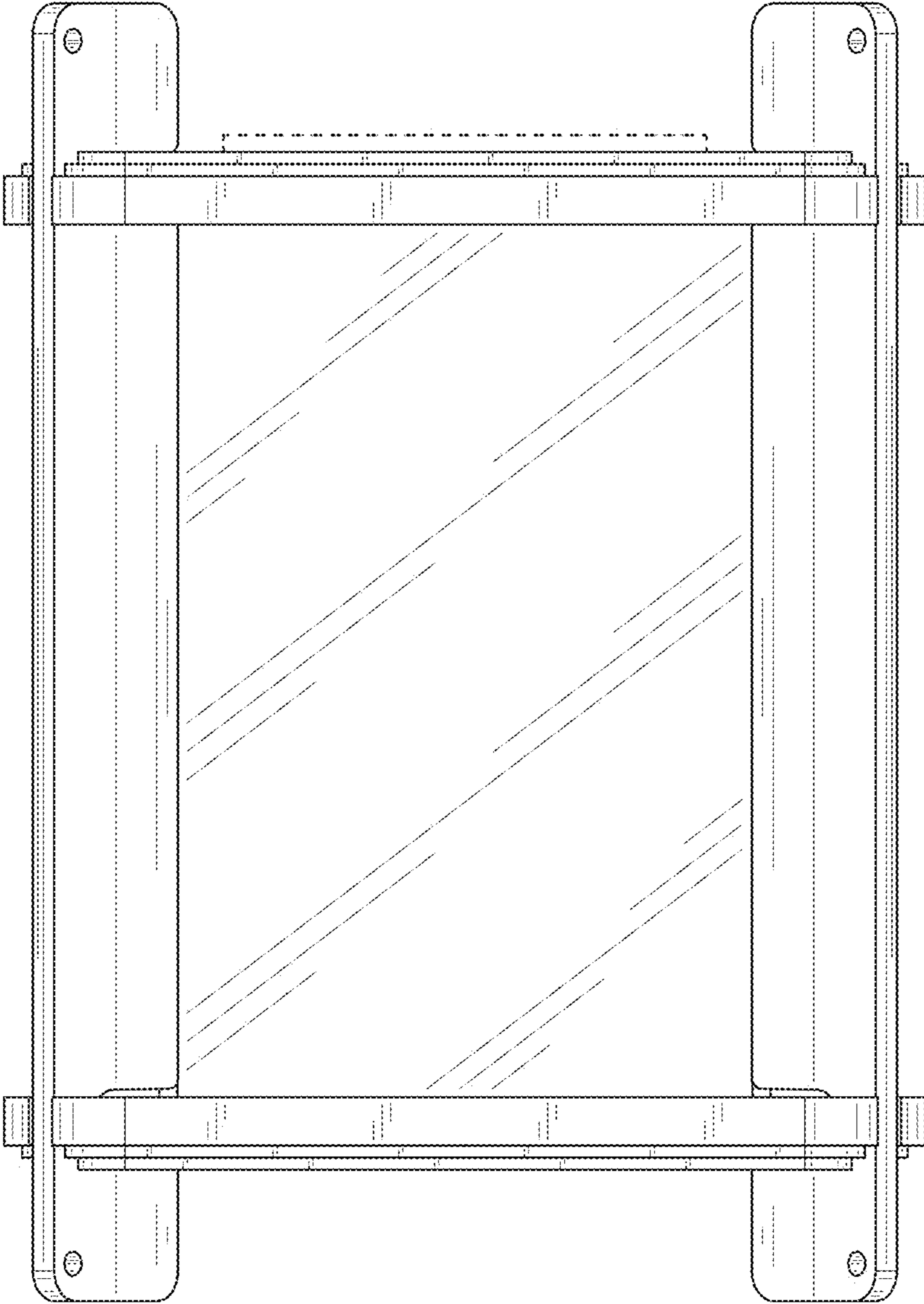


FIG. 5

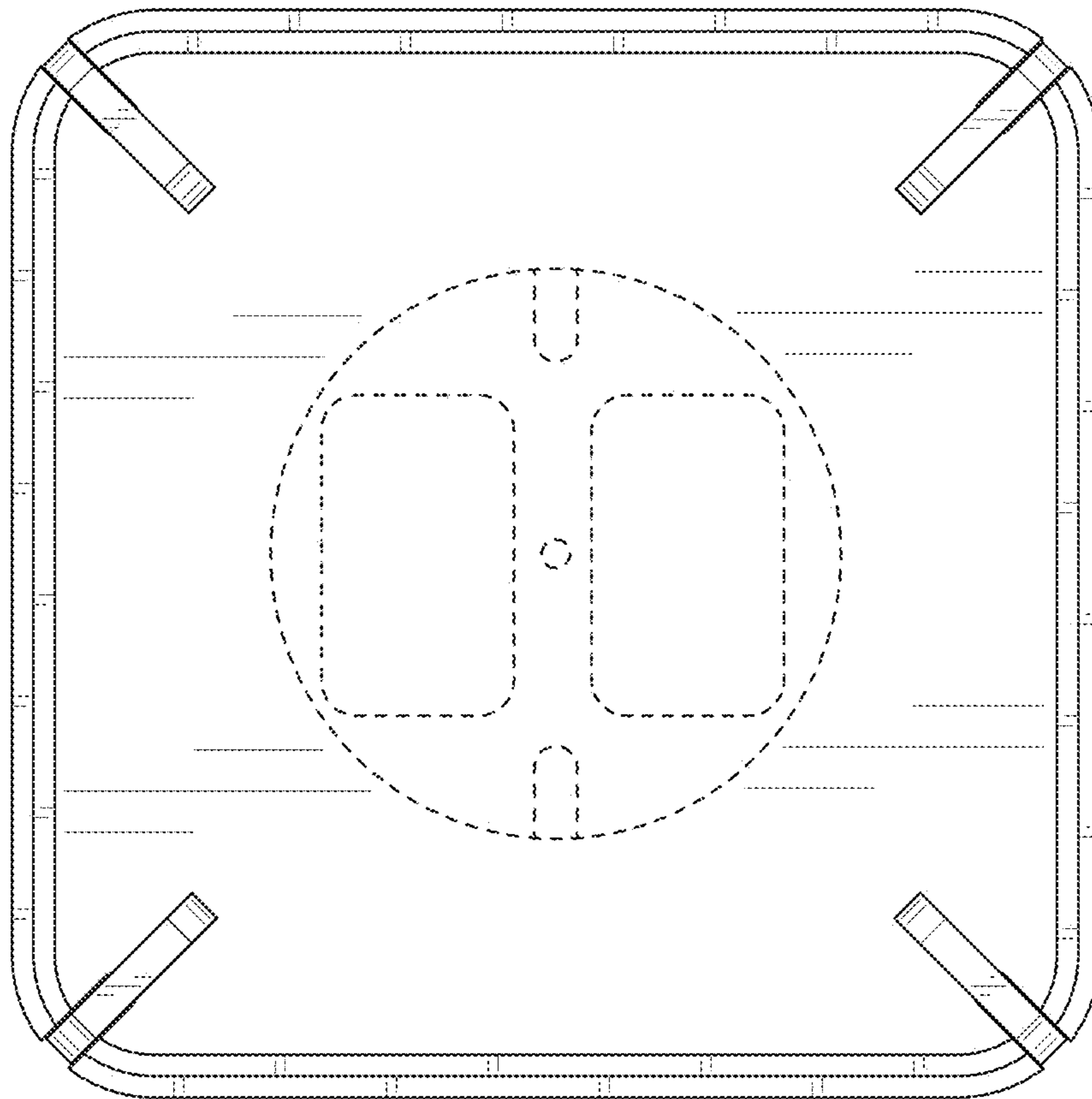


FIG. 6

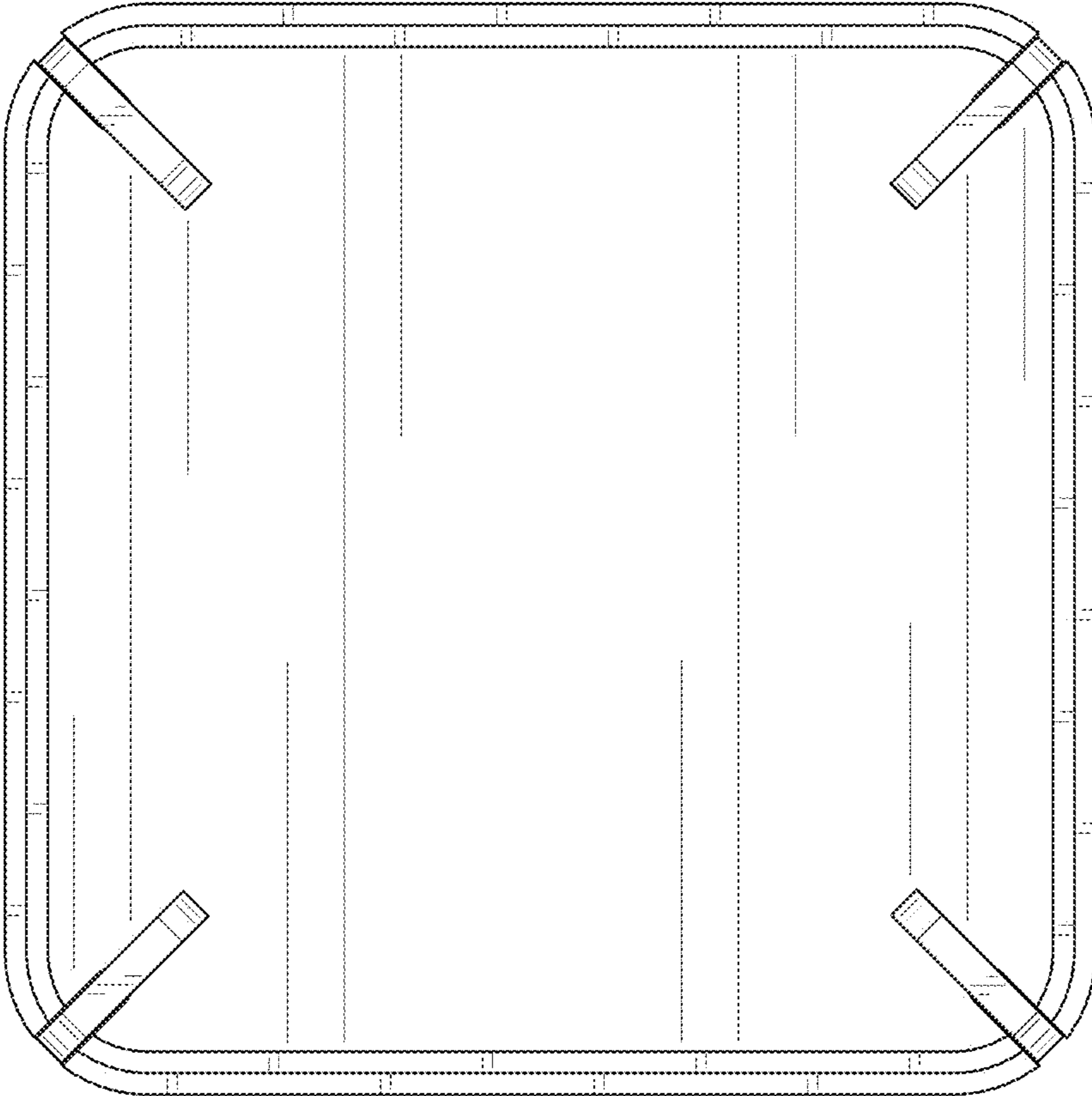


FIG. 7