

US00D964612S

(12) **United States Design Patent**
Shen

(10) **Patent No.:** **US D964,612 S**

(45) **Date of Patent:** **** Sep. 20, 2022**

(54) **HEADLIGHT**

(71) Applicant: **Guangzhou Oumurs Motorcycle Parts Co., LTD.**, Guangzhou (CN)

(72) Inventor: **Zhengliang Shen**, Taizhou (CN)

(**) Term: **15 Years**

(21) Appl. No.: **29/837,048**

(22) Filed: **May 2, 2022**

(51) **LOC (13) Cl.** **26-06**

(52) **U.S. Cl.**
USPC **D26/28**

(58) **Field of Classification Search**
USPC D26/28-36, 139
CPC F21S 48/00; F21S 48/10; F21S 48/115;
F21S 48/225; F21S 48/1233; F21S
48/1266; F21S 48/1388; F21S 48/2268;
B60Q 9/13; B60Q 9/135; B60Q 9/1375;
F21V 5/00; F21V 21/04; F21V 29/004;
F21W 2102/17; F21W 2103/00; F21W
2103/35; F21W 2103/55; F21W 2107/13;
F21W 2107/17

See application file for complete search history.

(56) **References Cited**

U.S. PATENT DOCUMENTS

D676,166 S * 2/2013 Lai D26/28
D706,471 S * 6/2014 Lai D26/28

D718,893 S * 12/2014 Lai D26/28
D720,870 S * 1/2015 Lim D26/28
D779,692 S 2/2017 del Rosario
D796,715 S * 9/2017 Lin D26/28
D810,972 S 2/2018 Hanson et al.
D884,226 S 5/2020 Yang

* cited by examiner

Primary Examiner — Marcus A Jackson

(74) *Attorney, Agent, or Firm* — Rumit Ranjit Kanakia

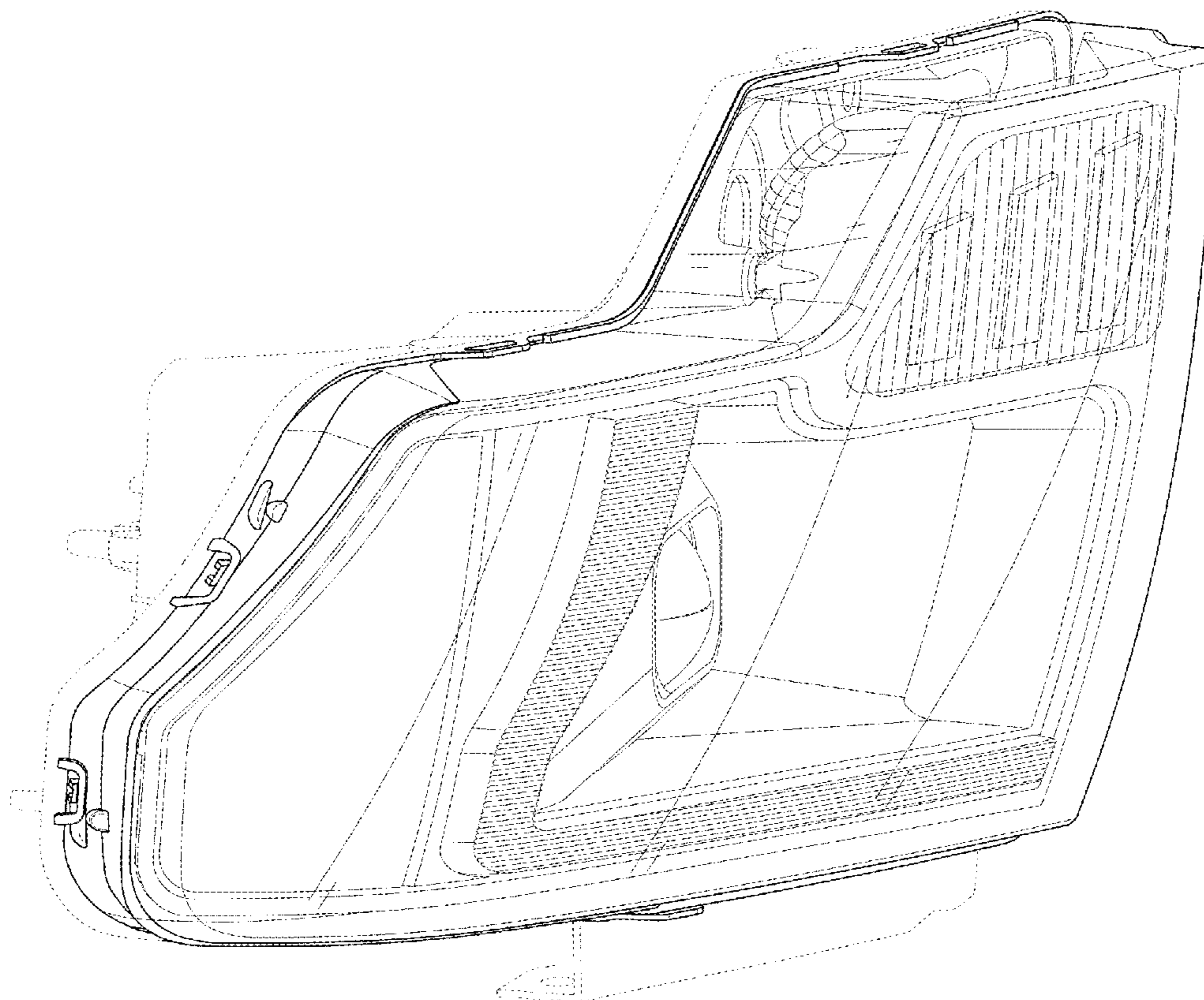
(57) **CLAIM**

The ornamental design for a headlight, as shown and described.

DESCRIPTION

FIG. 1 is a first perspective view of a headlight showing my new design;
FIG. 2 is a second perspective view thereof;
FIG. 3 is a front view thereof;
FIG. 4 is a back view thereof;
FIG. 5 is a left side view thereof;
FIG. 6 is a right side view thereof;
FIG. 7 is a top view thereof; and,
FIG. 8 is a bottom view thereof.
The broken lines shown in the drawings depict portions of the headlight that form no part of the claimed design.

1 Claim, 8 Drawing Sheets



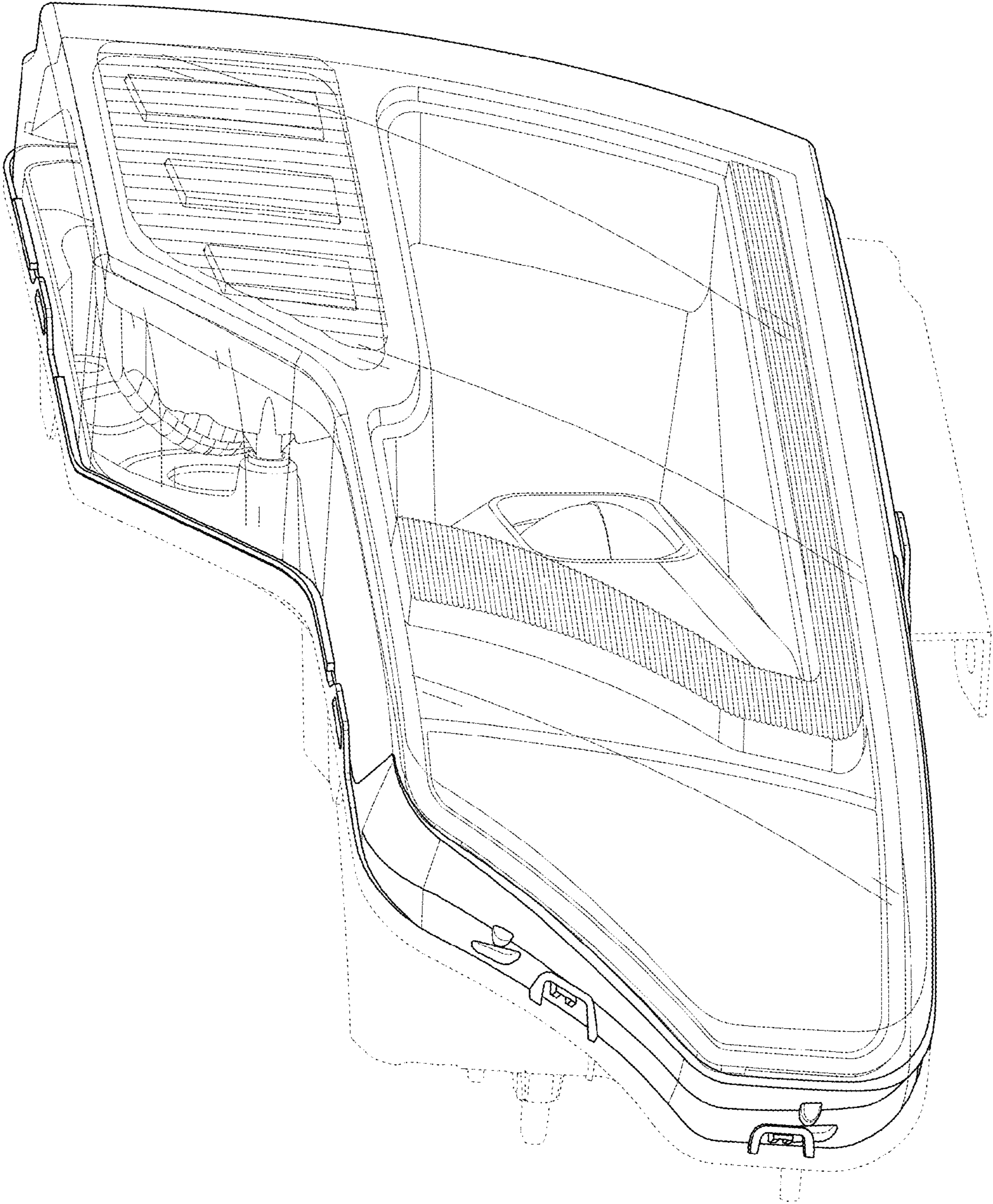


FIG. 1

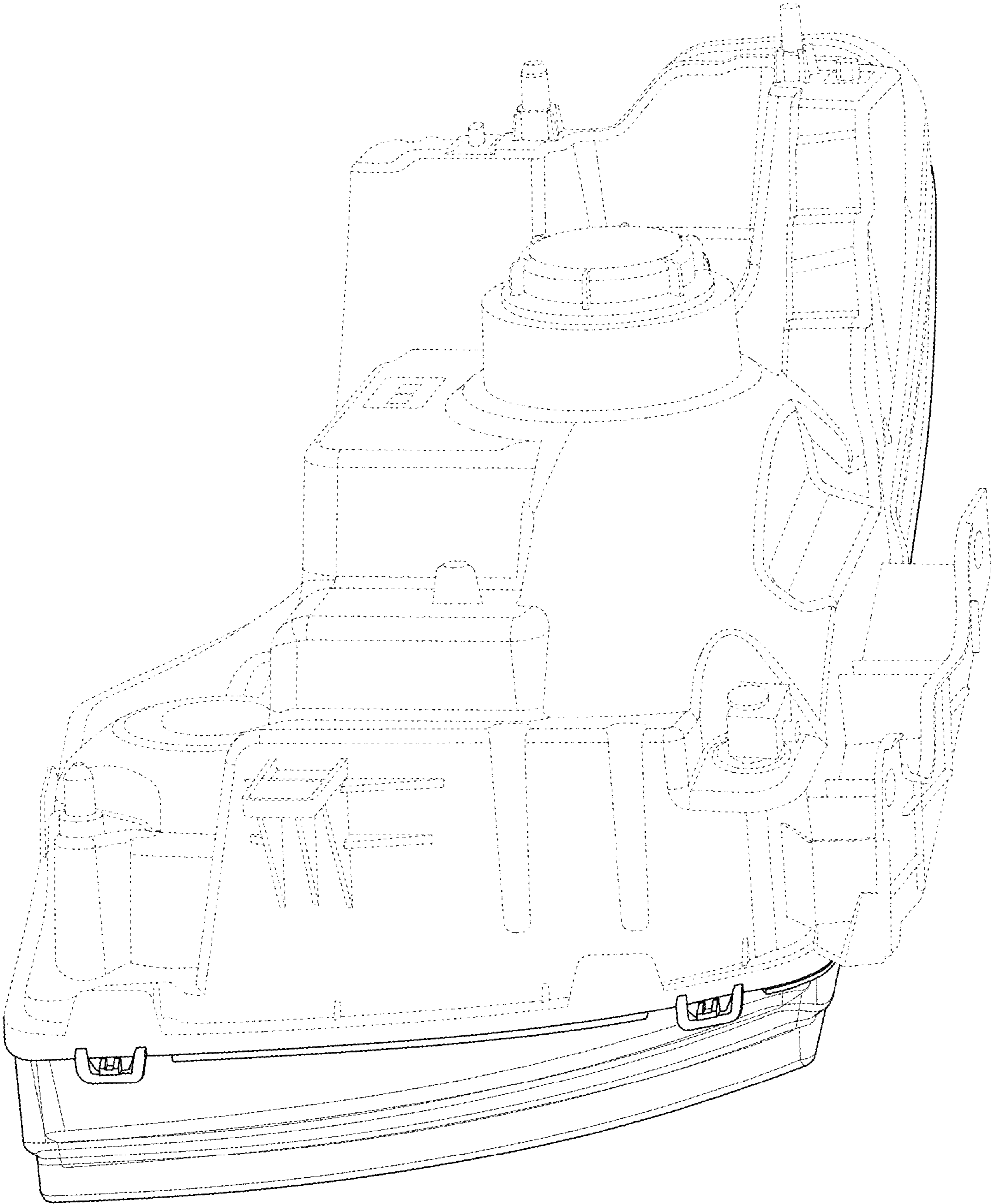


FIG. 2

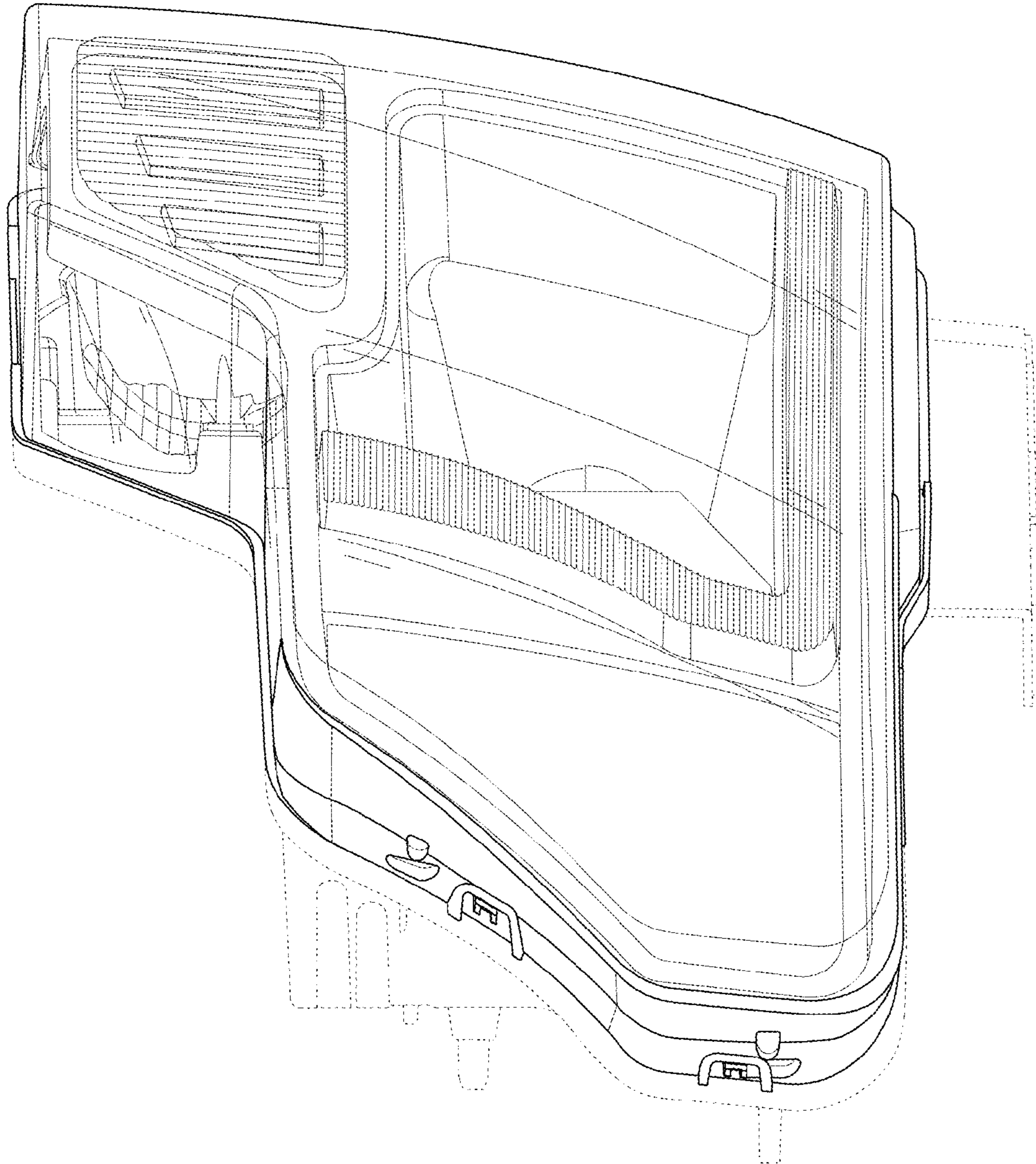


FIG. 3

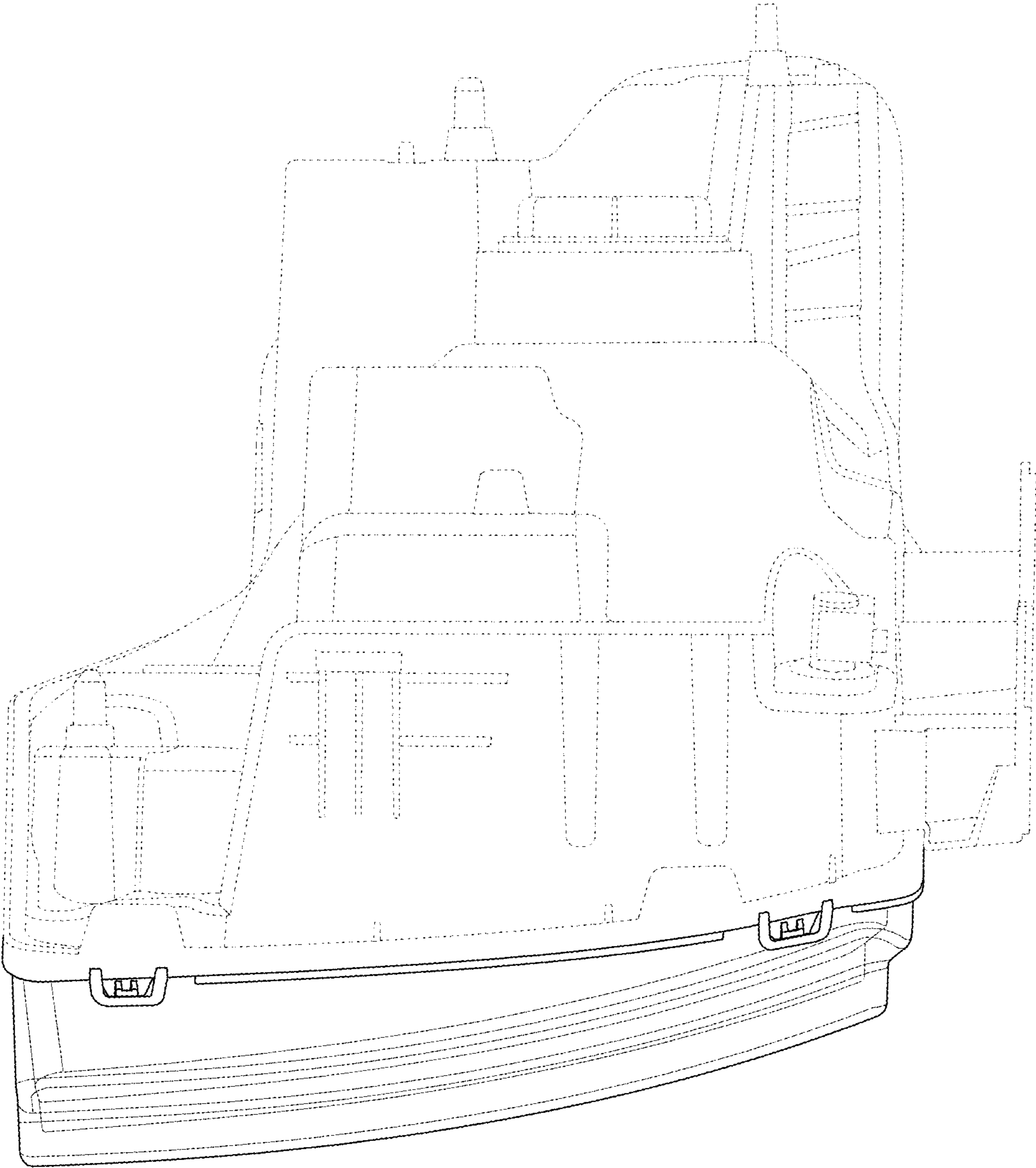


FIG. 4

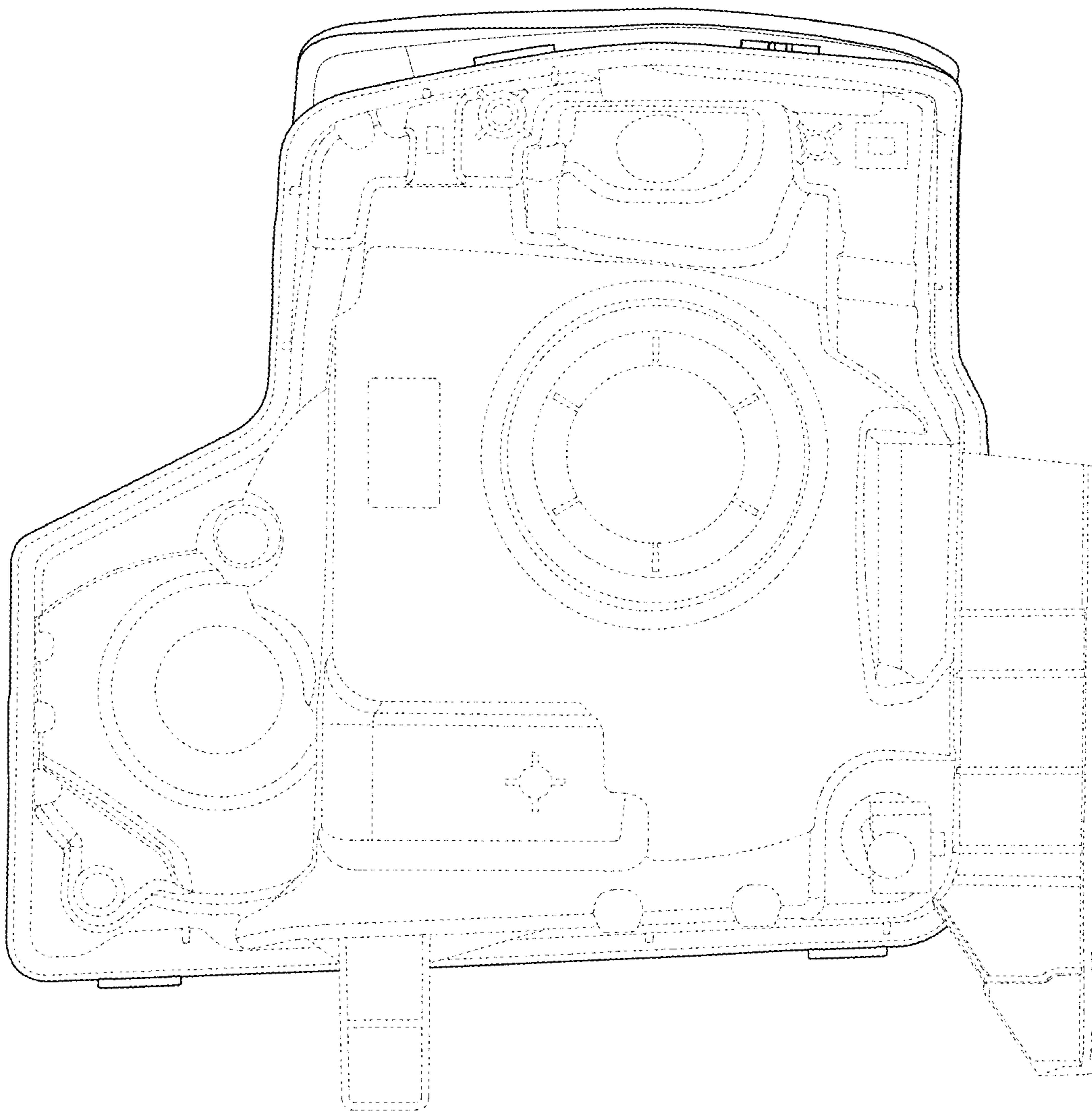


FIG. 5

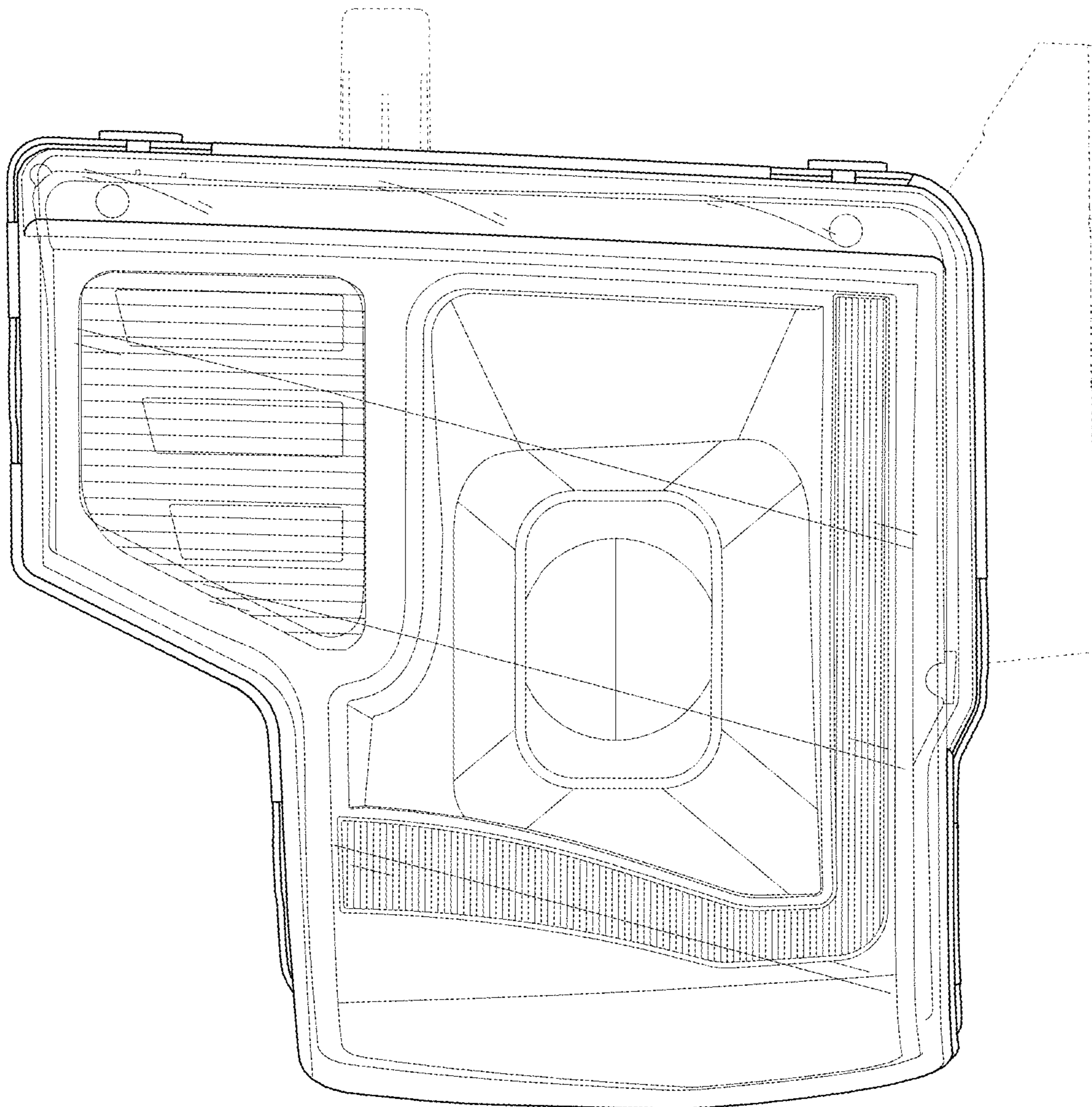


FIG. 6

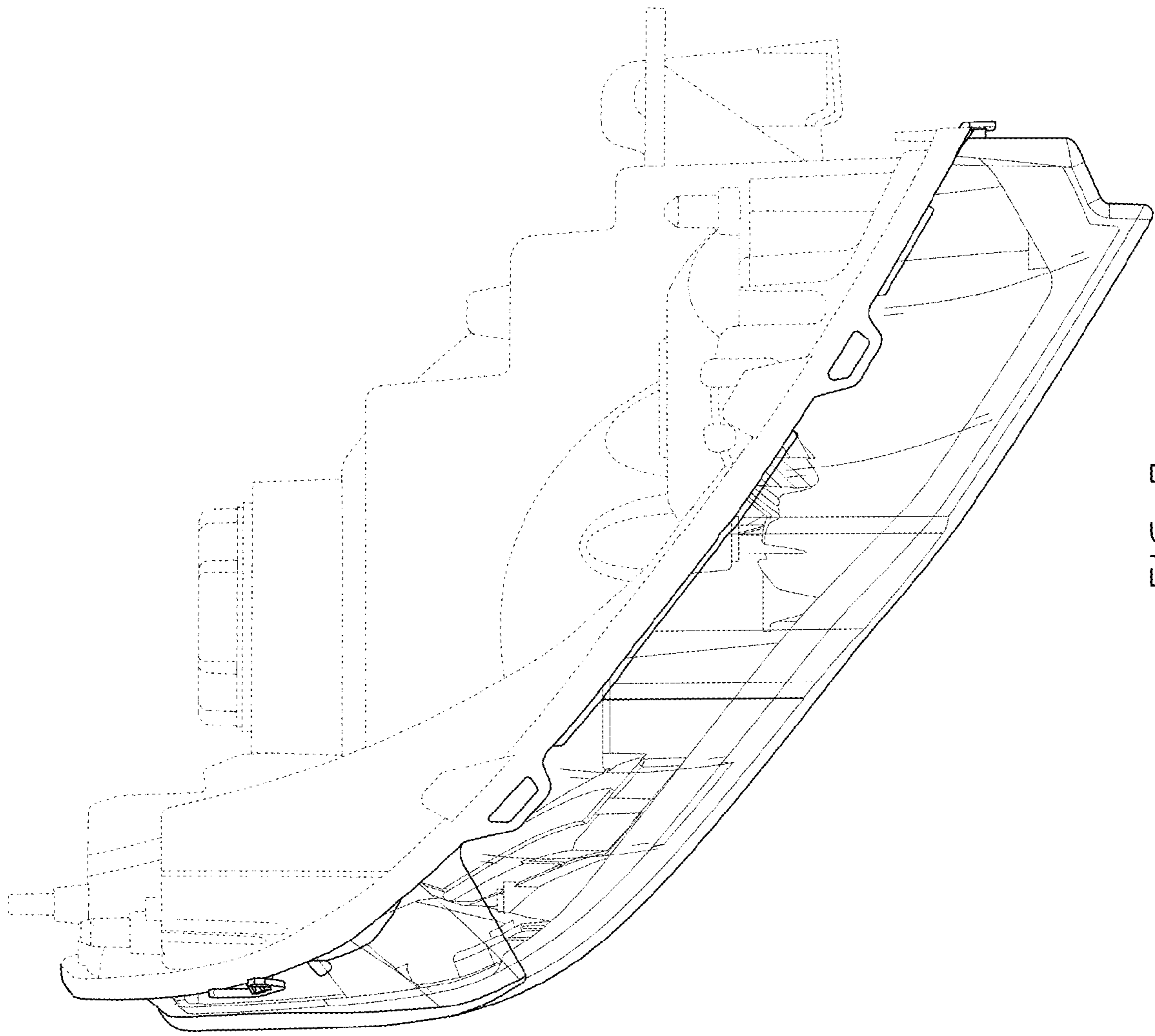


FIG. 7

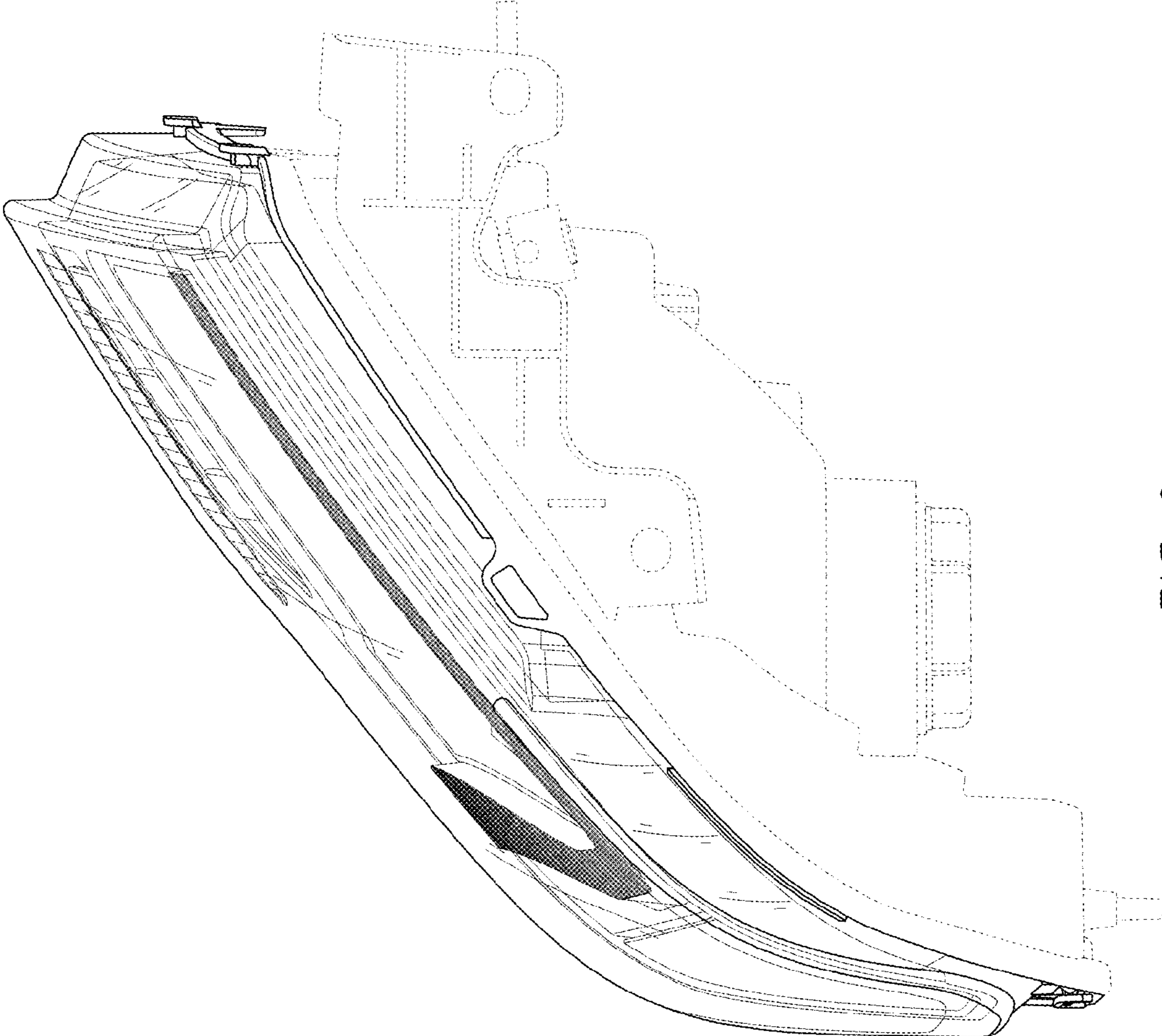


FIG. 8