

US00D964609S

(12) **United States Design Patent** (10) **Patent No.:** **US D964,609 S**
Asano (45) **Date of Patent:** **** Sep. 20, 2022**

(54) **FRONT COMBINATION LAMP FOR AN AUTOMOBILE**

(71) Applicant: **TOYOTA JIDOSHA KABUSHIKI KAISHA**, Toyota (JP)

(72) Inventor: **Shota Asano**, Toyota (JP)

(73) Assignee: **TOYOTA JIDOSHA KABUSHIKI KAISHA**, Toyota (JP)

(**) Term: **15 Years**

(21) Appl. No.: **29/749,966**

(22) Filed: **Sep. 10, 2020**

(30) **Foreign Application Priority Data**

Mar. 12, 2020 (JP) 2020-004945 D

(51) **LOC (13) Cl.** **26-06**

(52) **U.S. Cl.**
USPC **D26/28**

(58) **Field of Classification Search**
USPC D26/28, 29, 30, 31, 32, 33, 34, 35, 36, D26/139

CPC F21W 2103/35; F21W 2103/40; F21W 2102/17; F21W 2102/30; F21W 2103/00; F21W 2103/55; F21W 2104/00; F21W 2107/17; F21W 2107/13; F21S 41/00; F21S 41/141; F21S 41/162; F21S 41/18; F21S 41/20; F21S 41/33; F21S 41/36; F21S 41/60; F21S 43/00; F21S 43/15; F21S 43/50; F21V 21/04

See application file for complete search history.

(56) **References Cited**

U.S. PATENT DOCUMENTS

D678,569 S * 3/2013 Brendel D26/28
D685,116 S * 6/2013 Kido D26/28

D707,866 S * 6/2014 Yoshida D26/28
D779,090 S * 2/2017 Giolito D26/28
D794,231 S * 8/2017 Yokoi D26/28
D806,287 S * 12/2017 Yoshida D26/28
D807,544 S * 1/2018 Yoshida D26/28
D814,080 S * 3/2018 Ha D26/28
D818,160 S * 5/2018 Perkins D26/28
D851,299 S * 6/2019 Woodhouse D26/28
D876,687 S * 2/2020 Lin D26/28
D940,925 S * 1/2022 Miyazawa D26/28

OTHER PUBLICATIONS

netcarshow.com, Volvo XC40 (2018), <https://www.netcarshow.com/volvo/2018-xc40/>, available as early as Dec. 31, 2018.
netcarshow.com, BMW Z4 Concept (2017), <https://www.netcarshow.com/bmw/2017-z4_concept/>, available as early as Dec. 31, 2017.

* cited by examiner

Primary Examiner — Angela J Lee

(74) *Attorney, Agent, or Firm* — Saidman DesignLaw Group, LLC

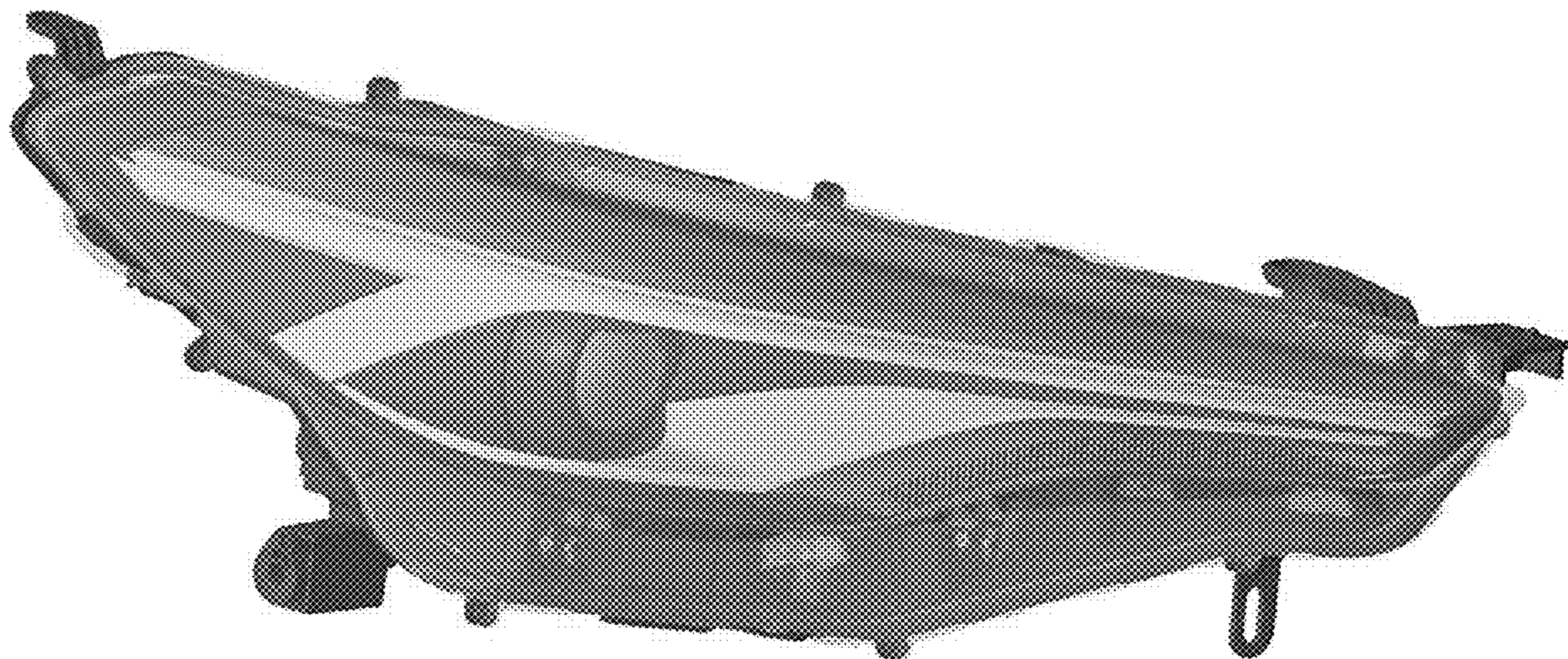
(57) **CLAIM**

The ornamental design for a front combination lamp for an automobile, as shown and described.

DESCRIPTION

FIG. 1 is a perspective view of a front combination lamp for an automobile showing my new design;
FIG. 2 is a front view thereof;
FIG. 3 is a rear view thereof;
FIG. 4 is a right side view thereof;
FIG. 5 is a left side view thereof;
FIG. 6 is a top view thereof; and,
FIG. 7 is a bottom view thereof.

1 Claim, 7 Drawing Sheets



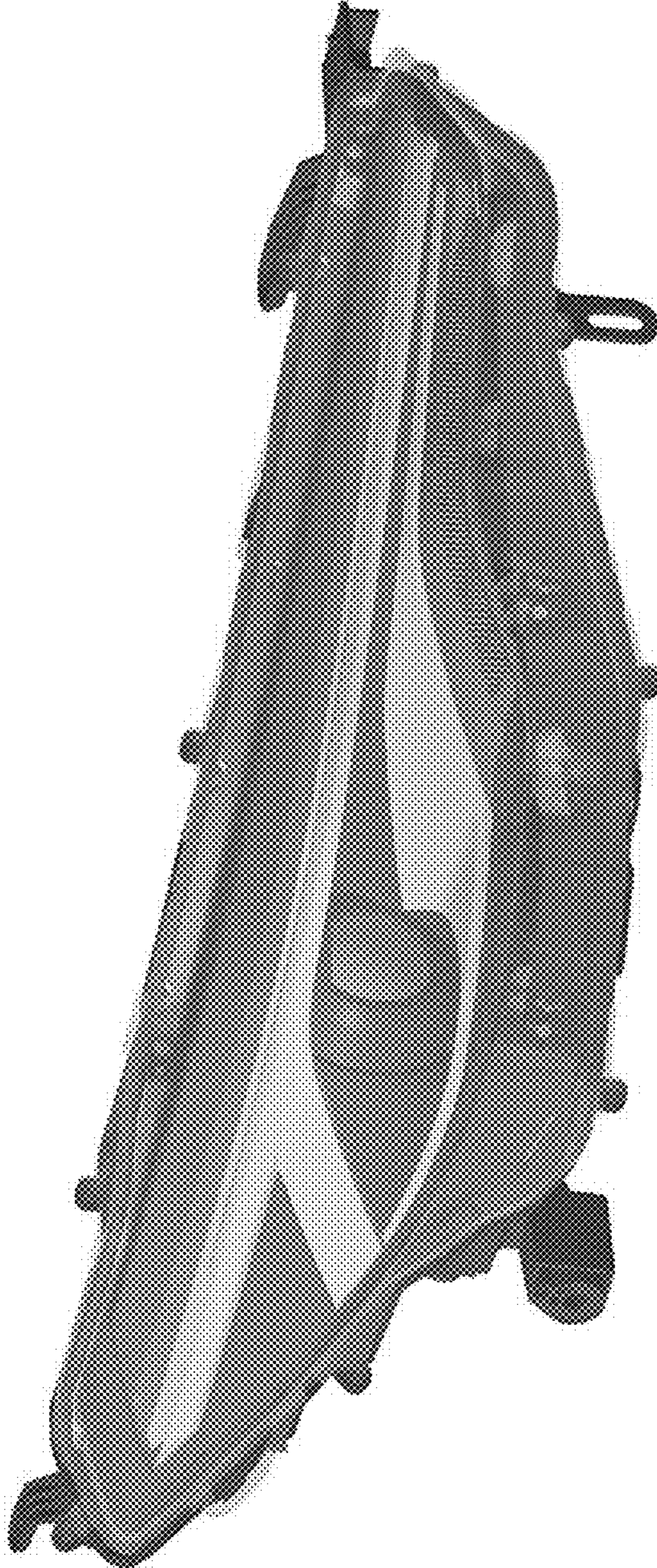


FIG. 1

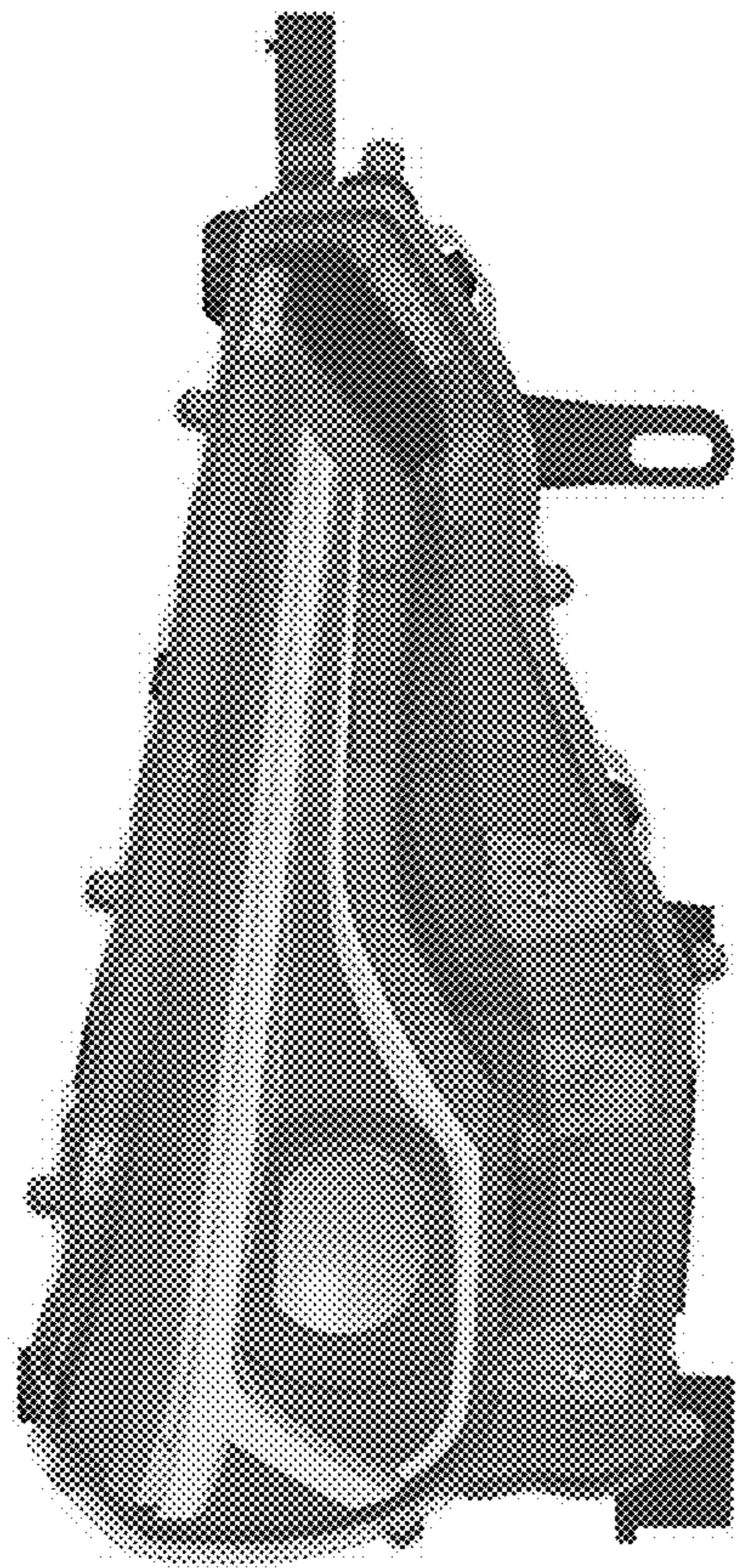


FIG. 2

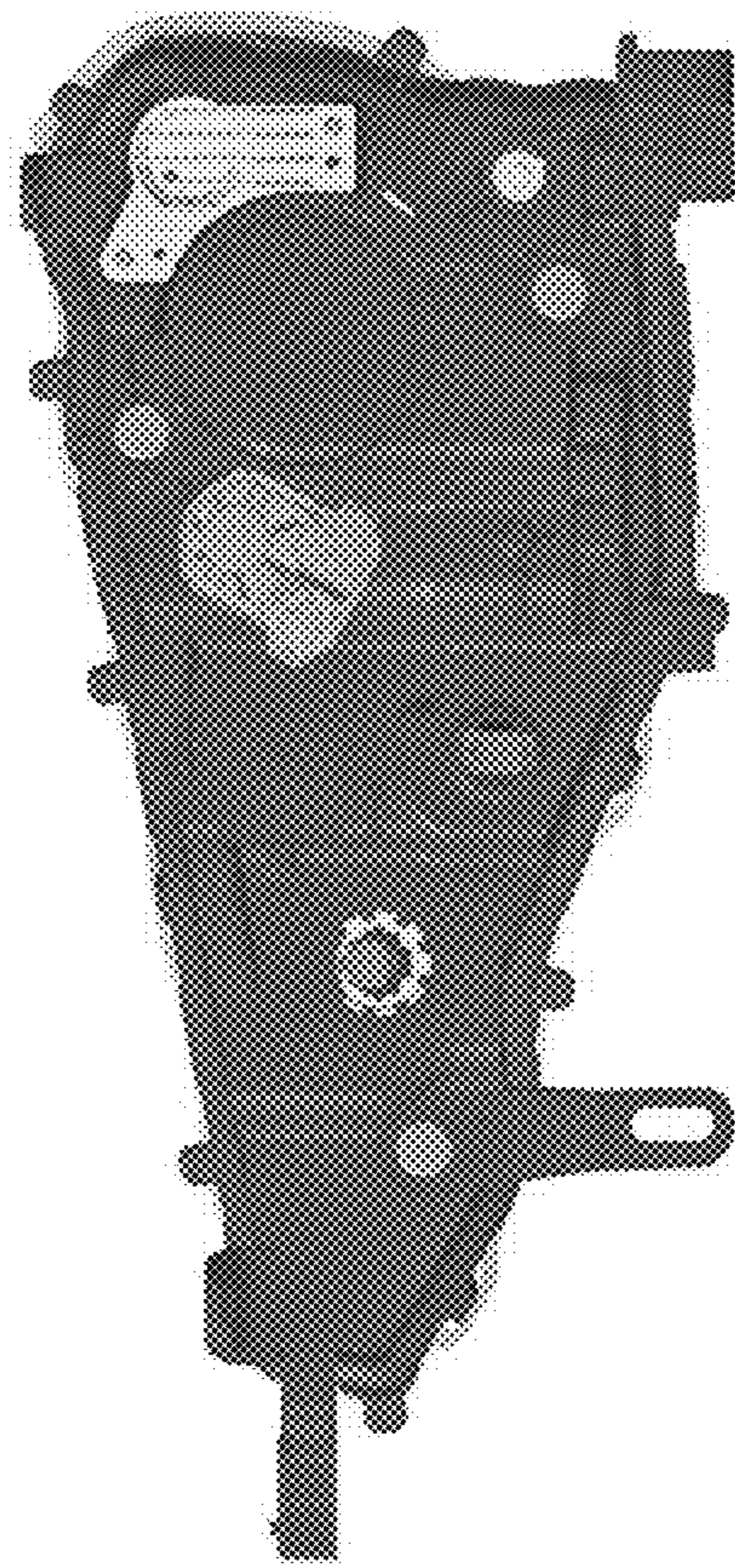


FIG. 3

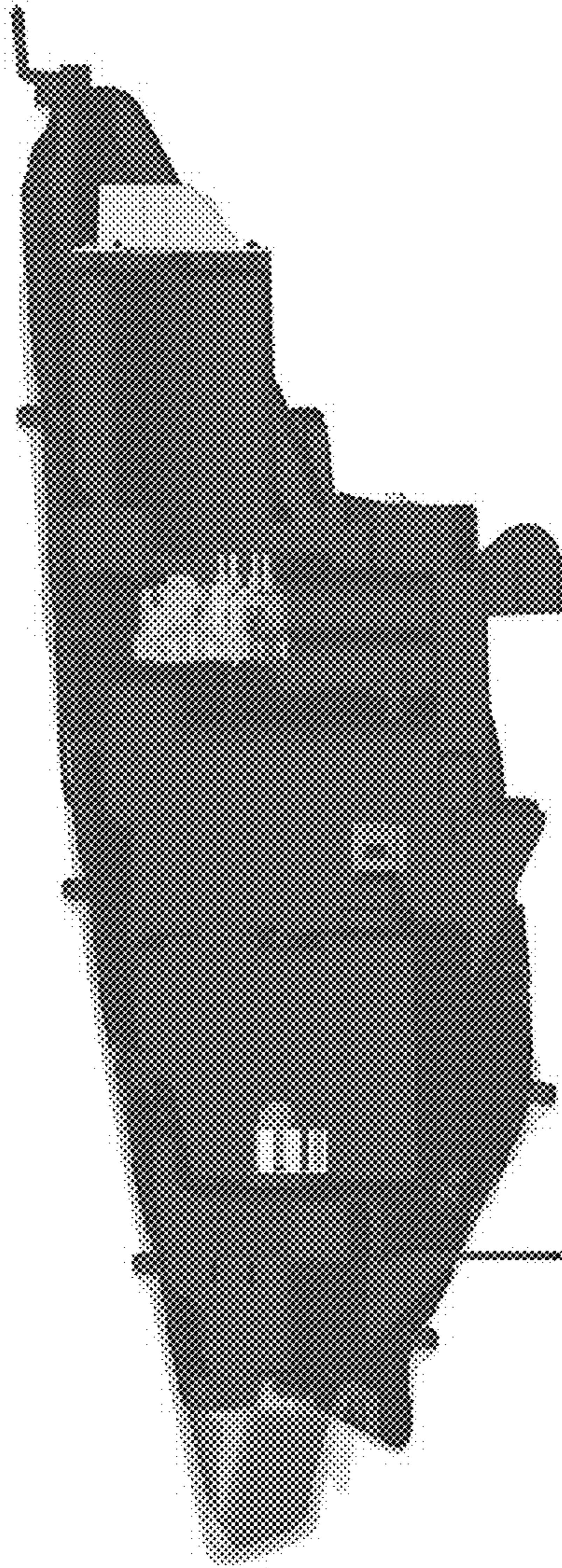


FIG. 4

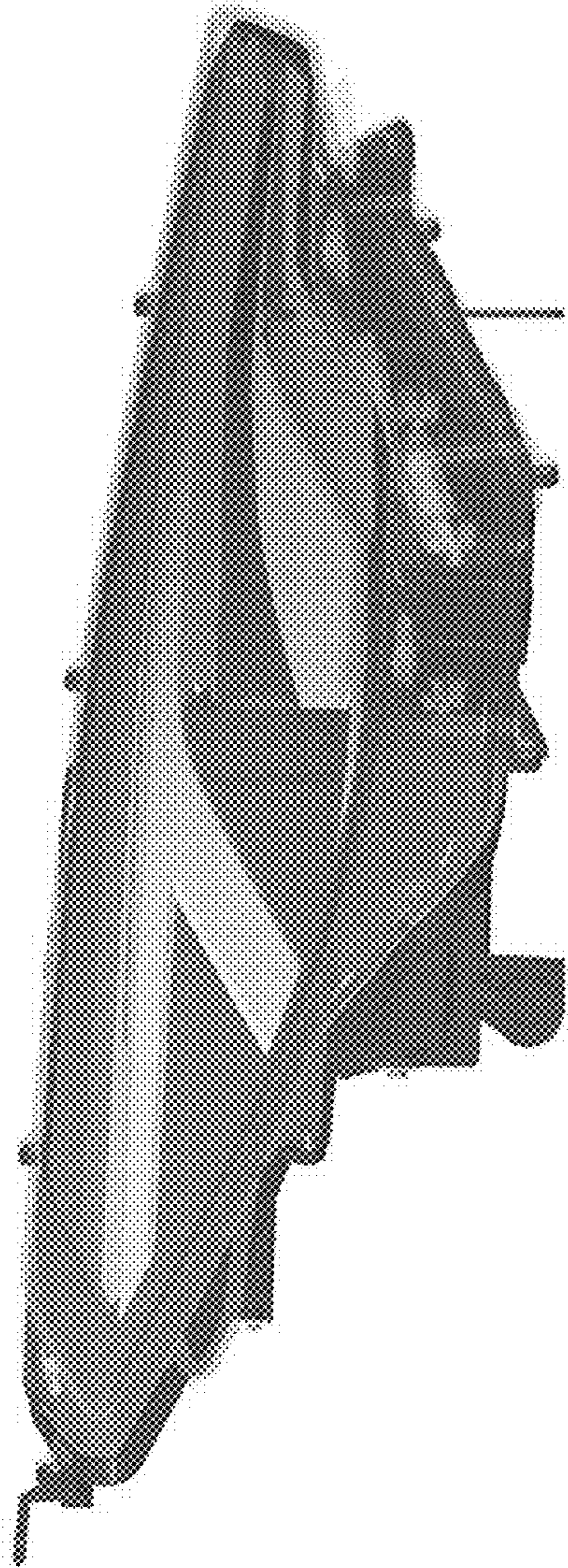


FIG. 5

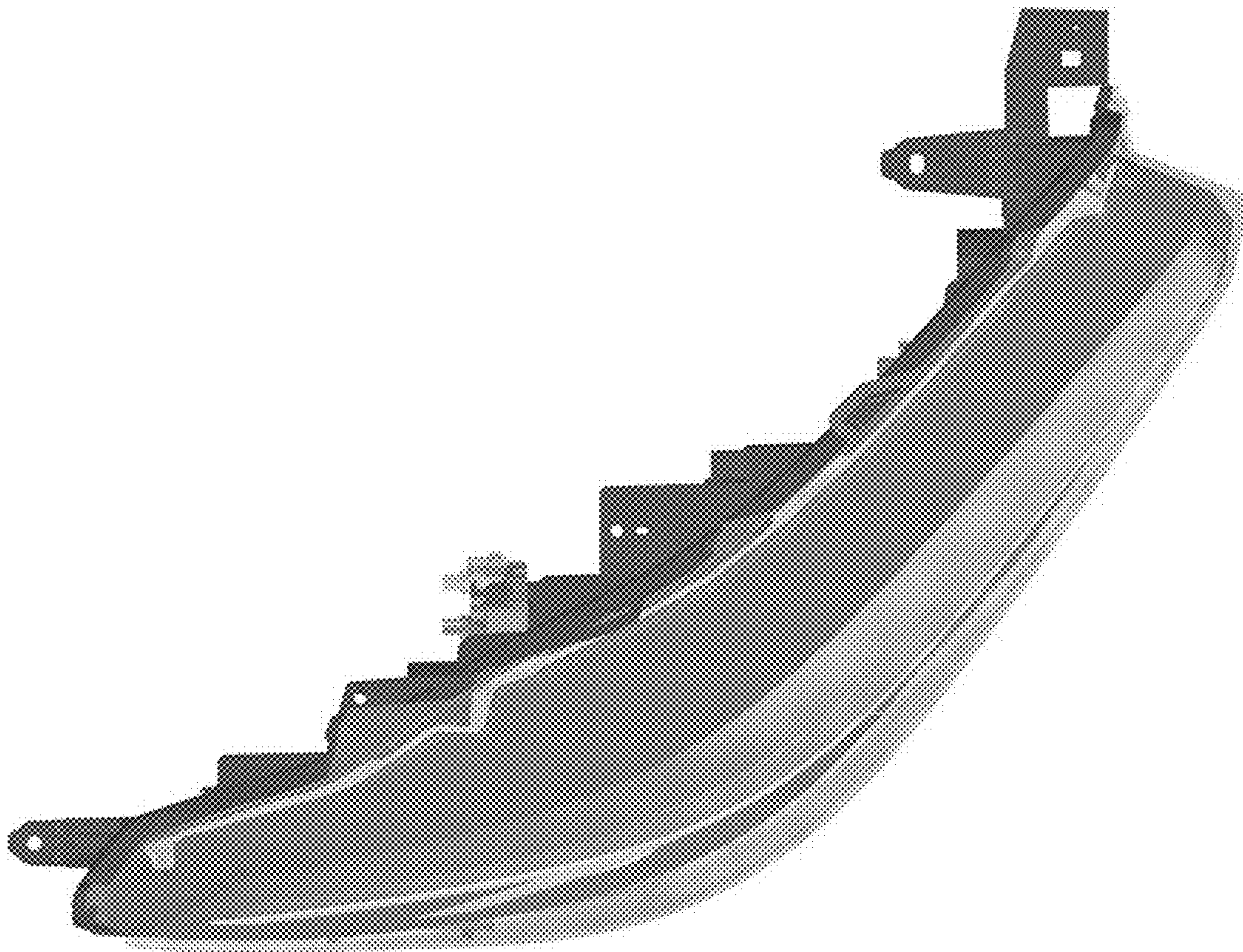


FIG. 6

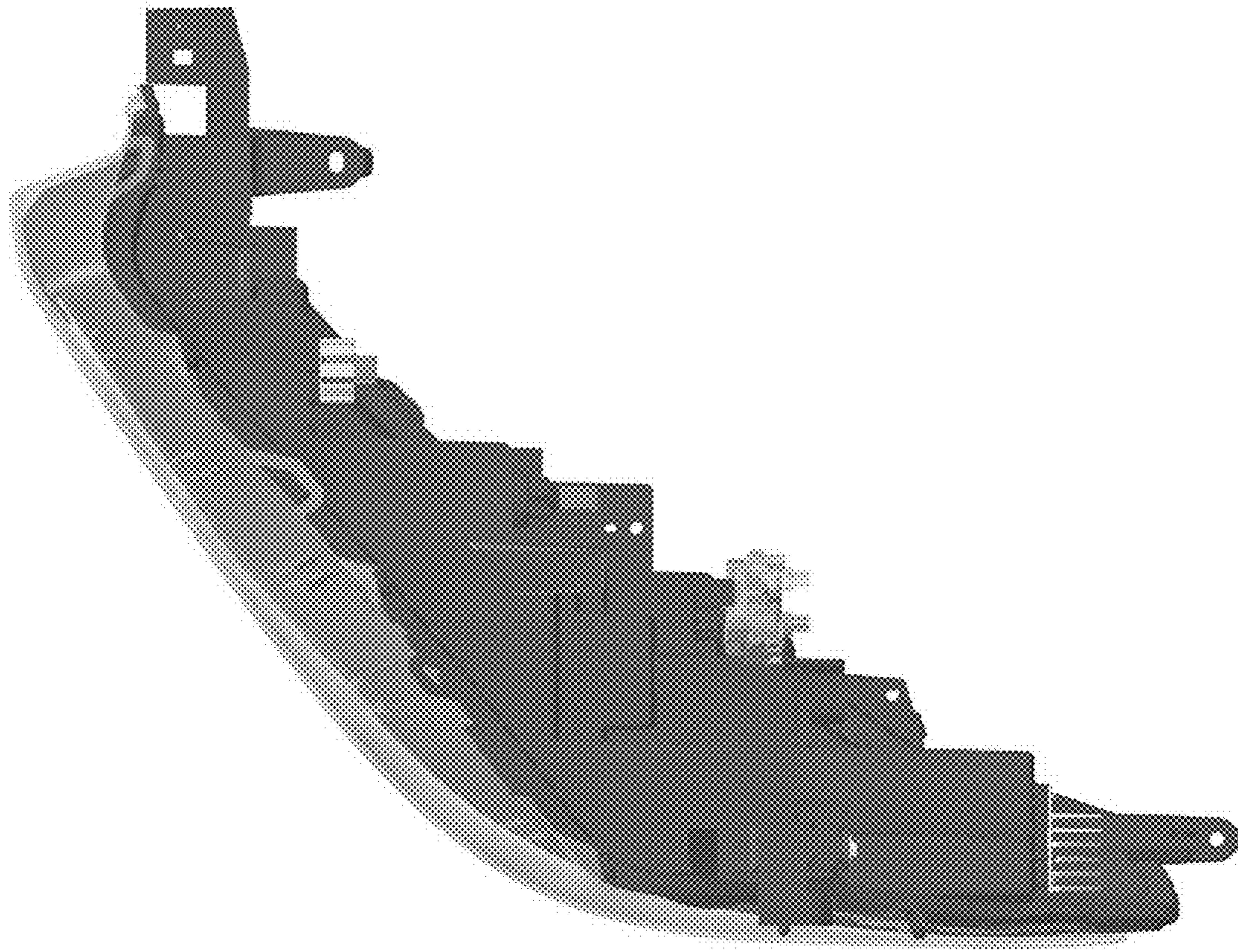


FIG. 7