

US00D964607S

(12) **United States Design Patent**
Wang

(10) **Patent No.:** **US D964,607 S**

(45) **Date of Patent:** **** Sep. 20, 2022**

(54) **LED HEADLIGHT BULBS**

D769,487 S * 10/2016 Ma D26/28
D769,490 S * 10/2016 Ma D26/28
D777,961 S * 1/2017 Wu D26/28

(71) Applicant: **Guangzhou Yeyan Technology Co., Ltd.**, Guangzhou (CN)

* cited by examiner

(72) Inventor: **Shitao Wang**, Guiyang (CN)

Primary Examiner — Marcus A Jackson

(**) Term: **15 Years**

(74) *Attorney, Agent, or Firm* — Runit Ranjit Kanakia

(21) Appl. No.: **29/748,557**

(57) **CLAIM**

(22) Filed: **Aug. 31, 2020**

I claim the ornamental design for a LED headlight bulbs, as shown and described.

(51) **LOC (13) Cl.** **26-06**

(52) **U.S. Cl.**
USPC **D26/28**

(58) **Field of Classification Search**

DESCRIPTION

USPC D26/28-36, 139
CPC F21S 48/00; F21S 48/10; F21S 48/115;
F21S 48/225; F21S 48/1233; F21S 48/1266; F21S 48/1388; F21S 48/2268;
F21V 5/00; F21V 21/04; F21V 29/004;
B60Q 9/13; B60Q 9/135; B60Q 9/1375
See application file for complete search history.

FIG. 1 is a Perspective view of a LED headlight bulbs showing my new design;
FIG. 2 is a Front view thereof;
FIG. 3 is a Back view thereof;
FIG. 4 is a Right-side view thereof;
FIG. 5 is a Left-side view thereof;
FIG. 6 is a Top view thereof; and,
FIG. 7 is a Bottom view thereof.

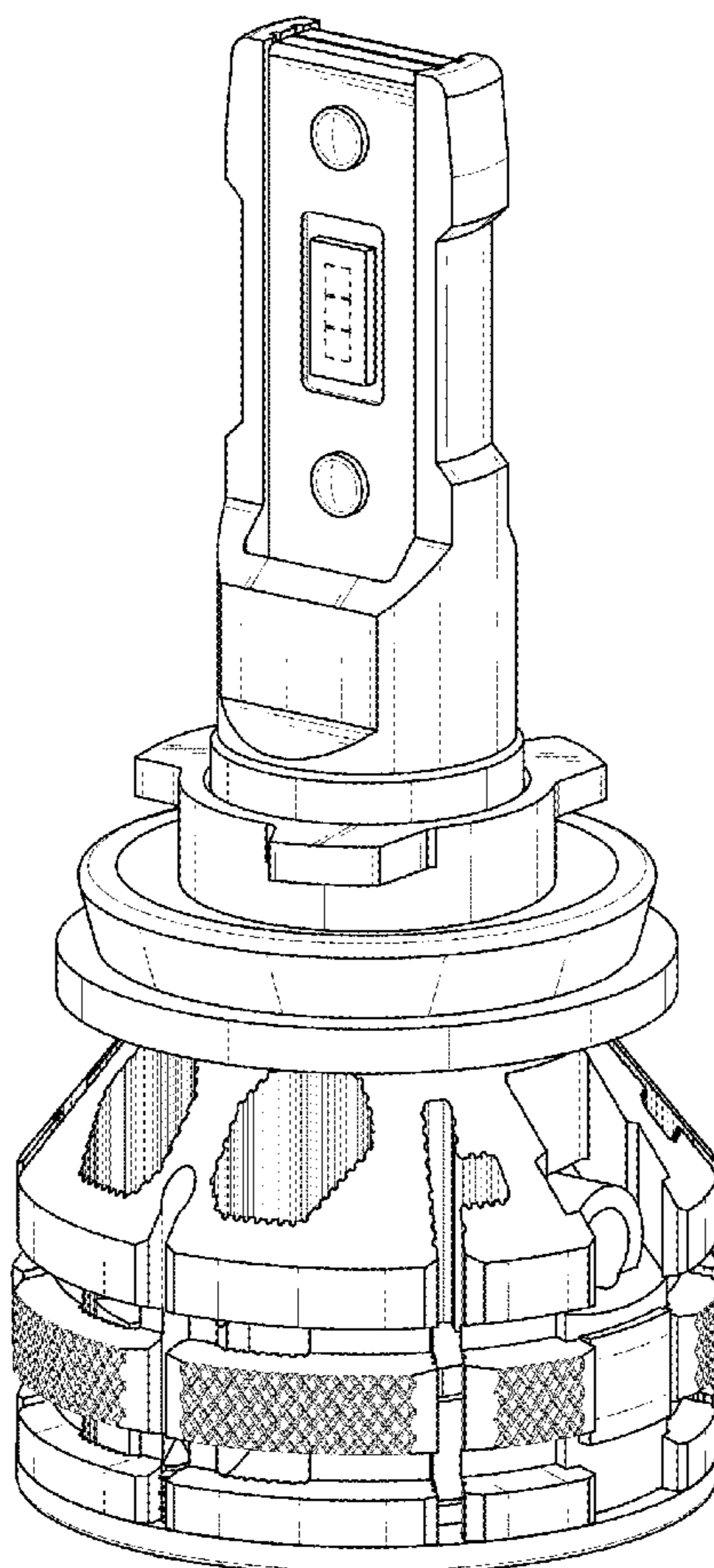
(56) **References Cited**

The broken lines are for the purpose of illustrating portions of the article that form no part of the claim.

U.S. PATENT DOCUMENTS

D720,483 S * 12/2014 Saddig D26/28
D740,984 S * 10/2015 Chen D26/28

1 Claim, 6 Drawing Sheets



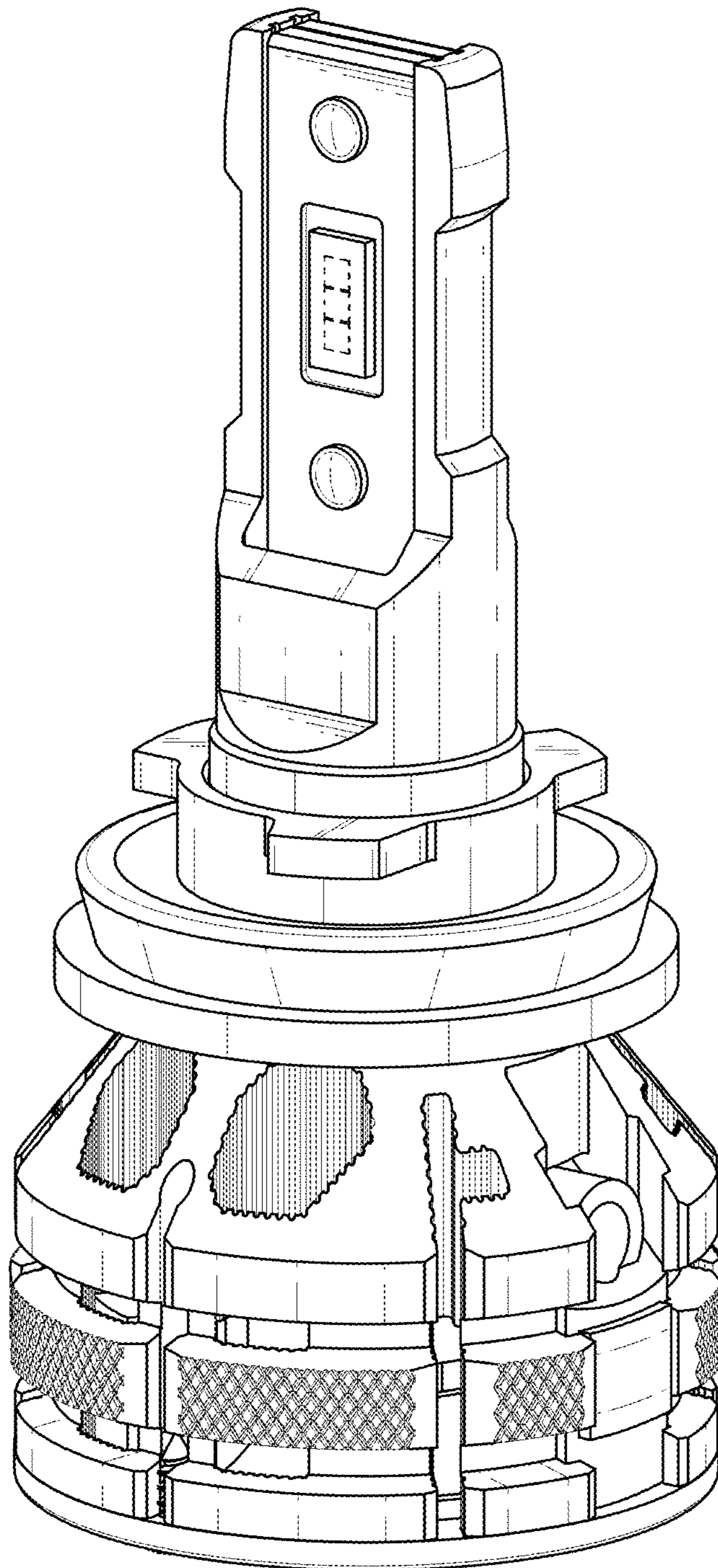


FIG. 1

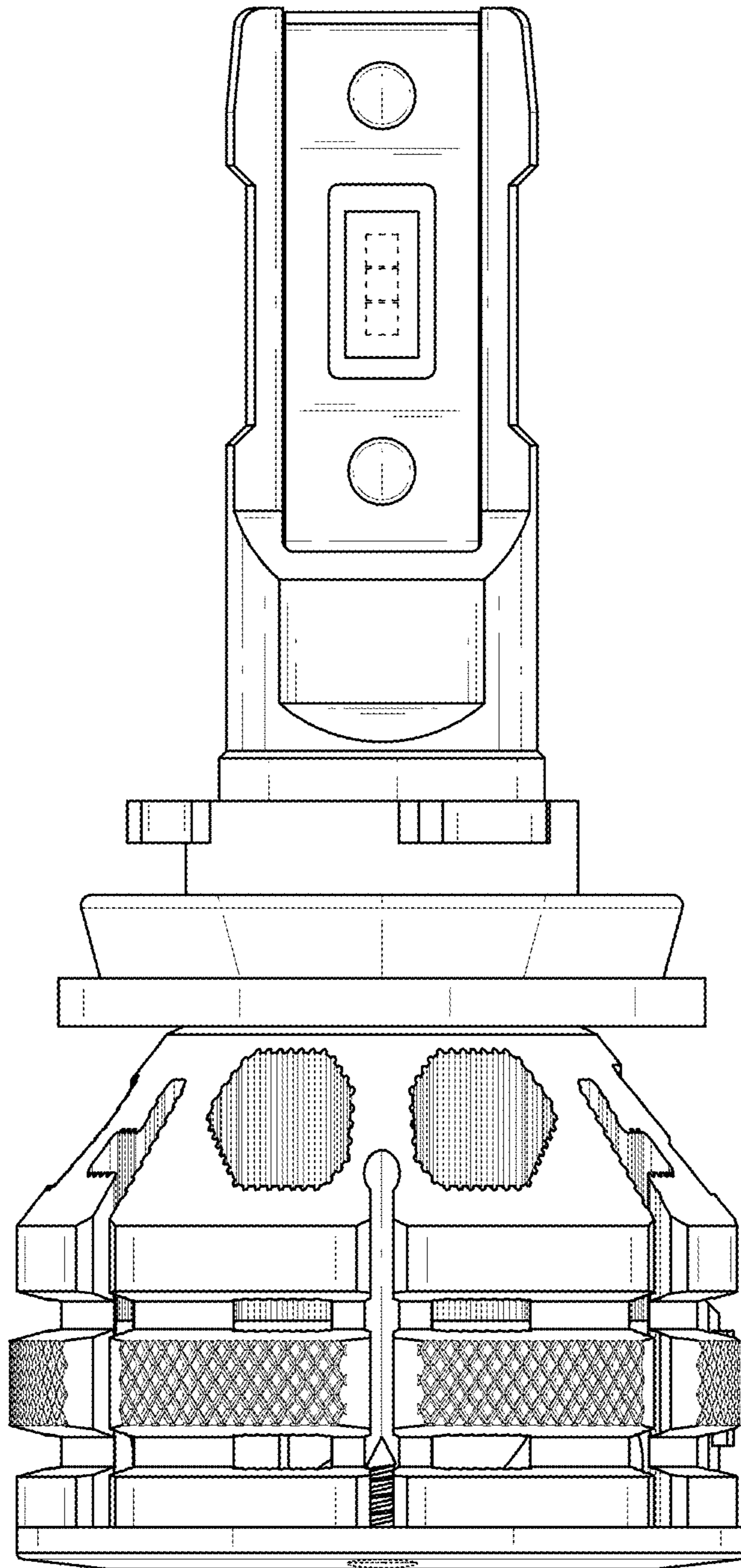


FIG. 2

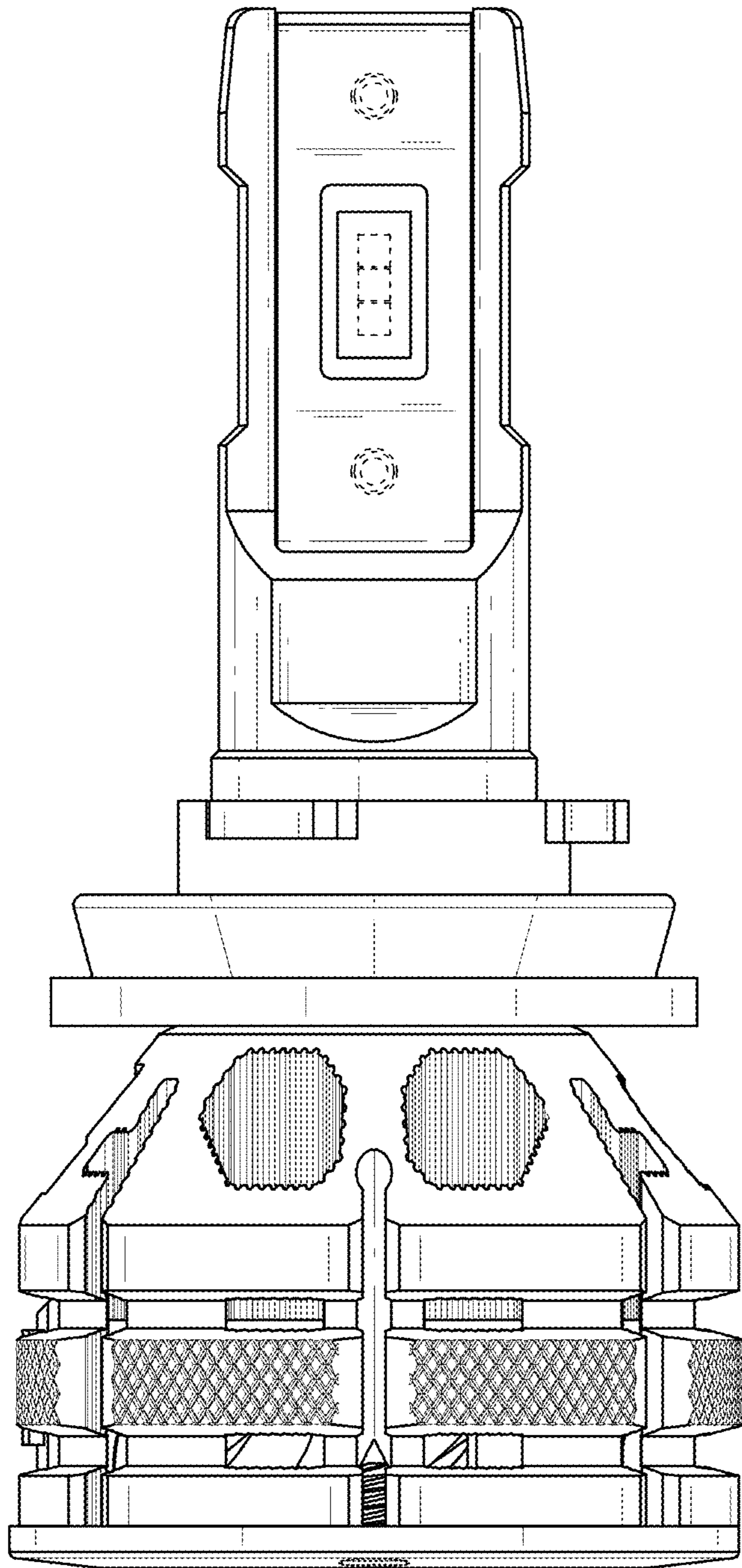


FIG. 3

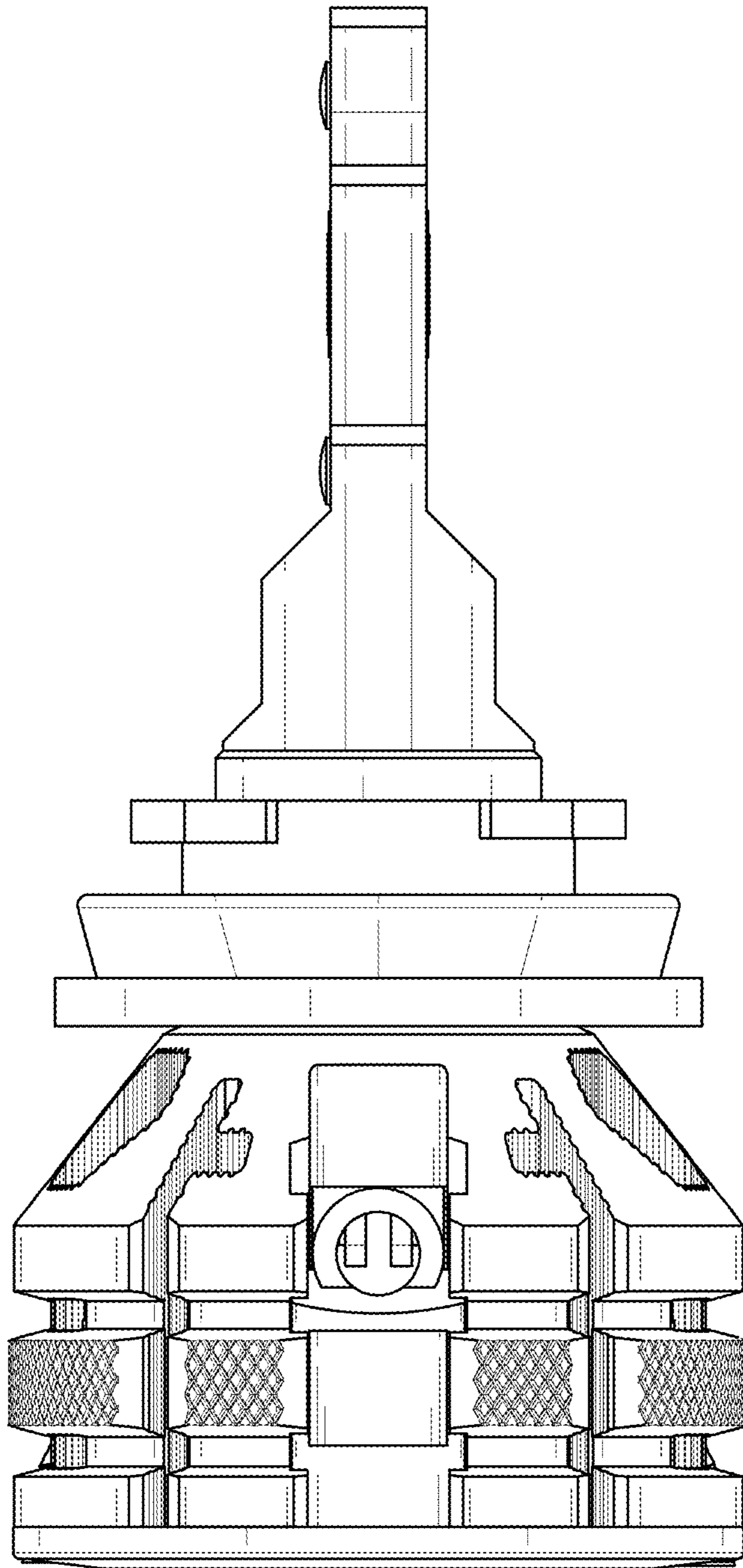


FIG. 4

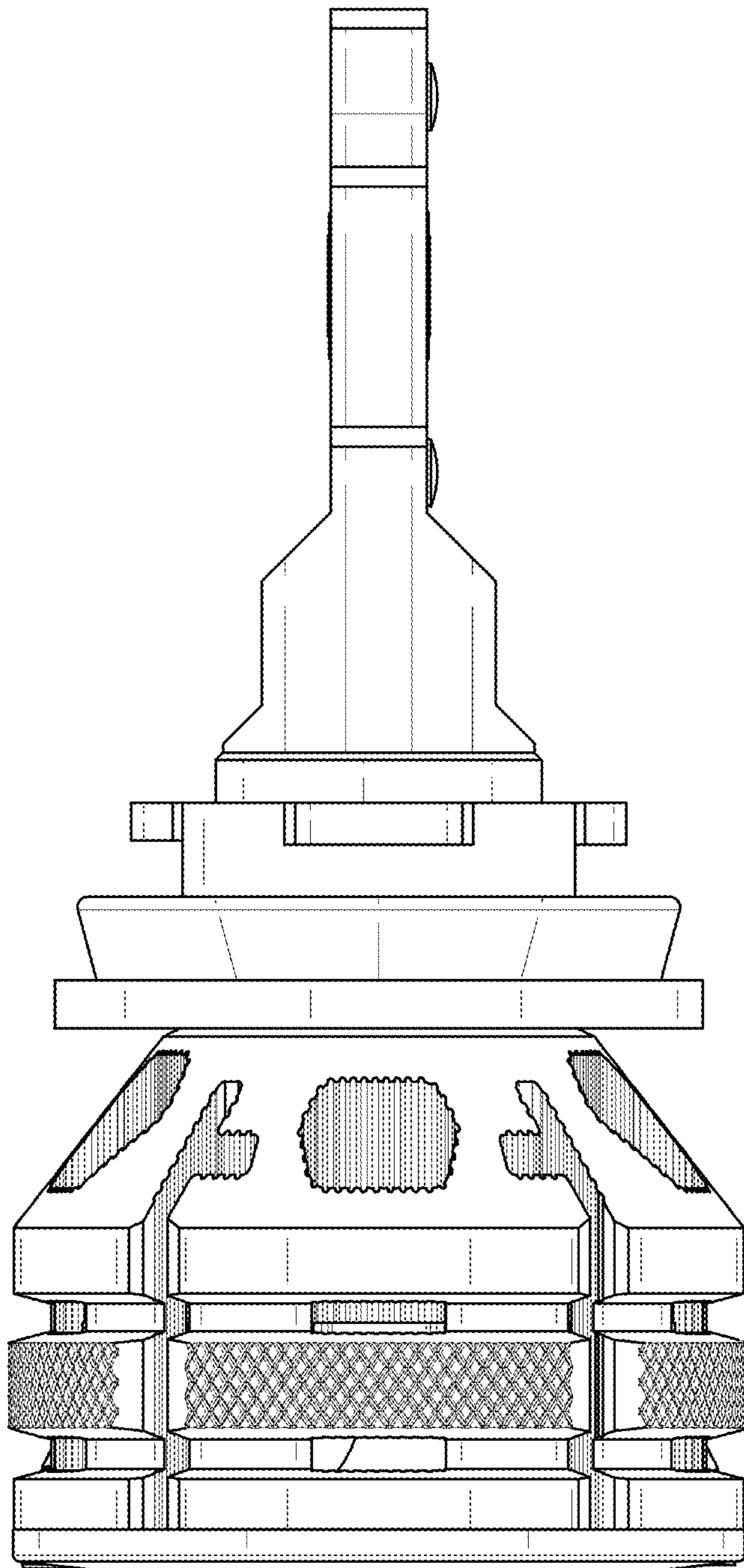


FIG. 5

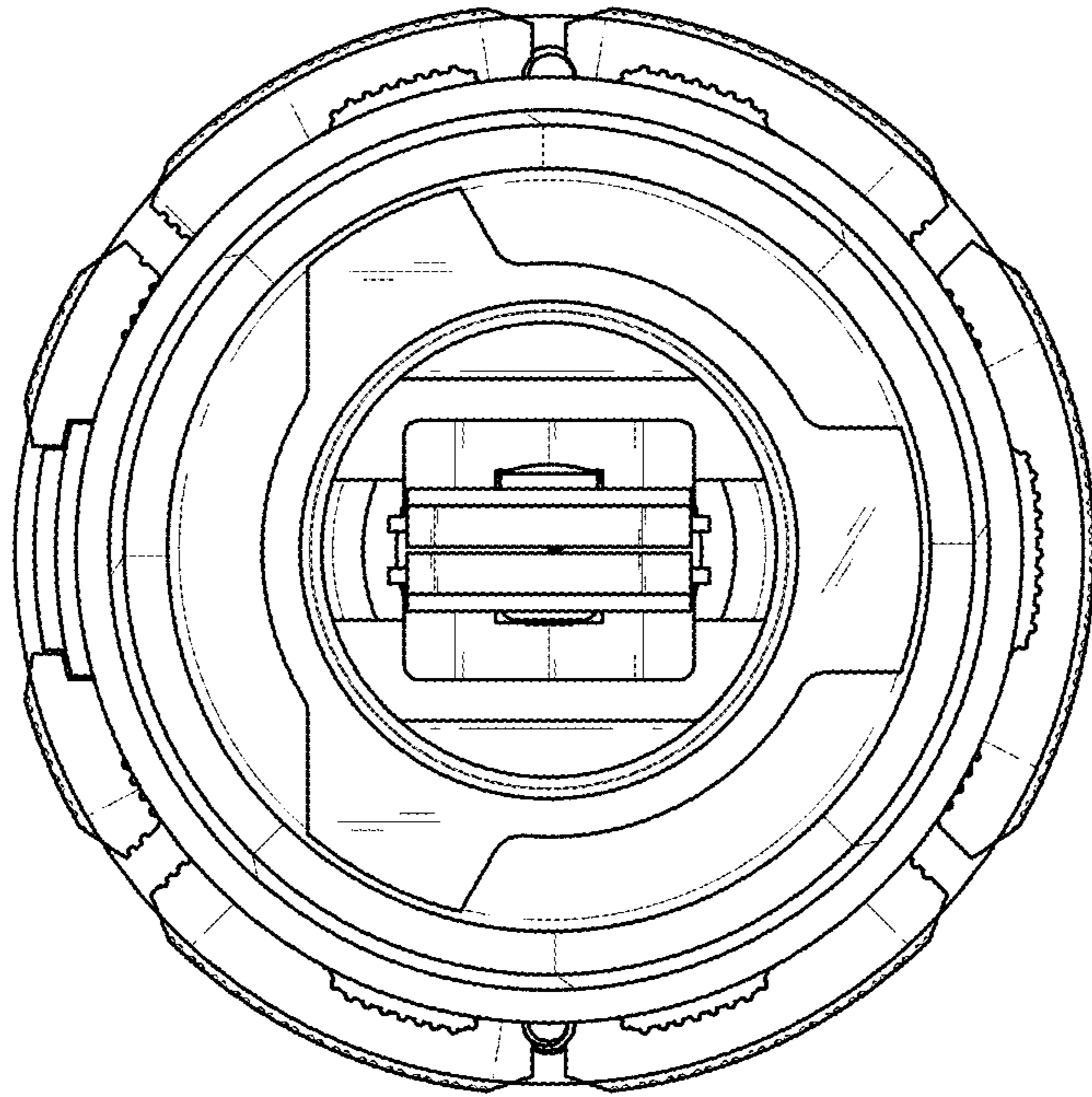


FIG. 6

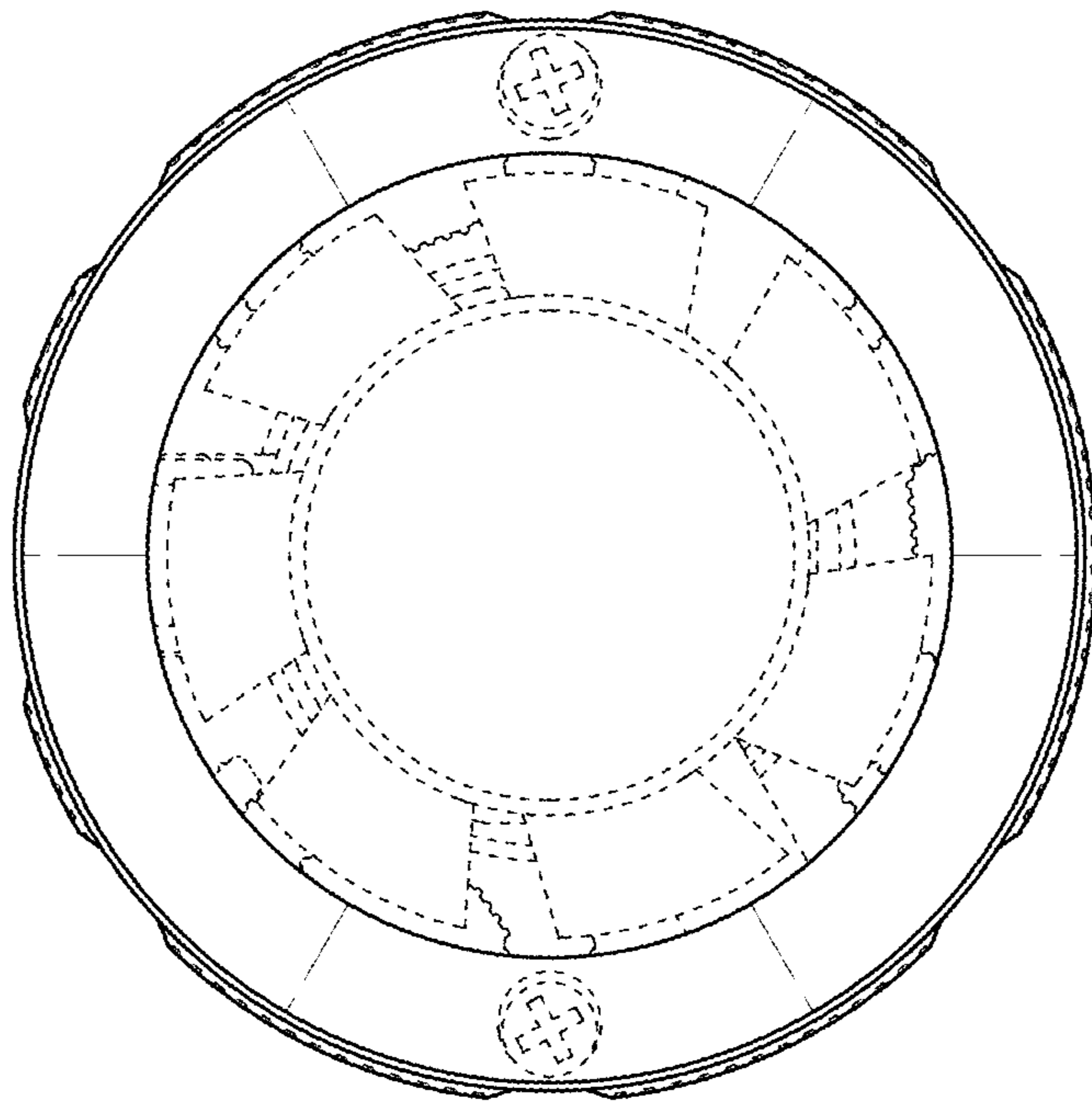


FIG. 7