



US00D964600S

(12) **United States Design Patent**
Greer et al.

(10) **Patent No.:** **US D964,600 S**

(45) **Date of Patent:** **** Sep. 20, 2022**

(54) **STEP FRAME**

D873,588 S * 1/2020 Xiaojun D6/675.3
D885,092 S * 5/2020 Greenwood D6/675.3
D921,927 S * 6/2021 Fuller D25/69

(71) Applicant: **Roberts Manufacturing LLC**, San Clemente, CA (US)

* cited by examiner

(72) Inventors: **Jerry Greer**, San Clemente, CA (US); **Justin Jobe**, San Diego, CA (US); **Jeff Coles**, San Diego, CA (US)

Primary Examiner — Gino Colan

(74) *Attorney, Agent, or Firm* — Mitchell Law PLLC; Matthew W. Mitchell

(73) Assignee: **Roberts Manufacturing LLC**, San Clemente, CA (US)

(**) Term: **15 Years**

(57) **CLAIM**

The ornamental design for a step frame, as shown and described.

(21) Appl. No.: **29/745,465**

(22) Filed: **Aug. 6, 2020**

DESCRIPTION

(51) **LOC (13) Cl.** **25-04**

(52) **U.S. Cl.**
USPC **D25/69**

(58) **Field of Classification Search**
USPC D25/62, 63, 68, 69; D12/318; D6/675.3
CPC . E06C 7/081; E06C 1/38; E06C 1/393; E06C 7/08

FIG. 1 is a front perspective view of the step frame of the present invention;
FIG. 2 is a rear view thereof;
FIG. 3 is a front view thereof;
FIG. 4 is a left-side view thereof;
FIG. 5 is a right-side view thereof;
FIG. 8 is a top plan view thereof; and,
FIG. 7 is a bottom plan view thereof.

See application file for complete search history.

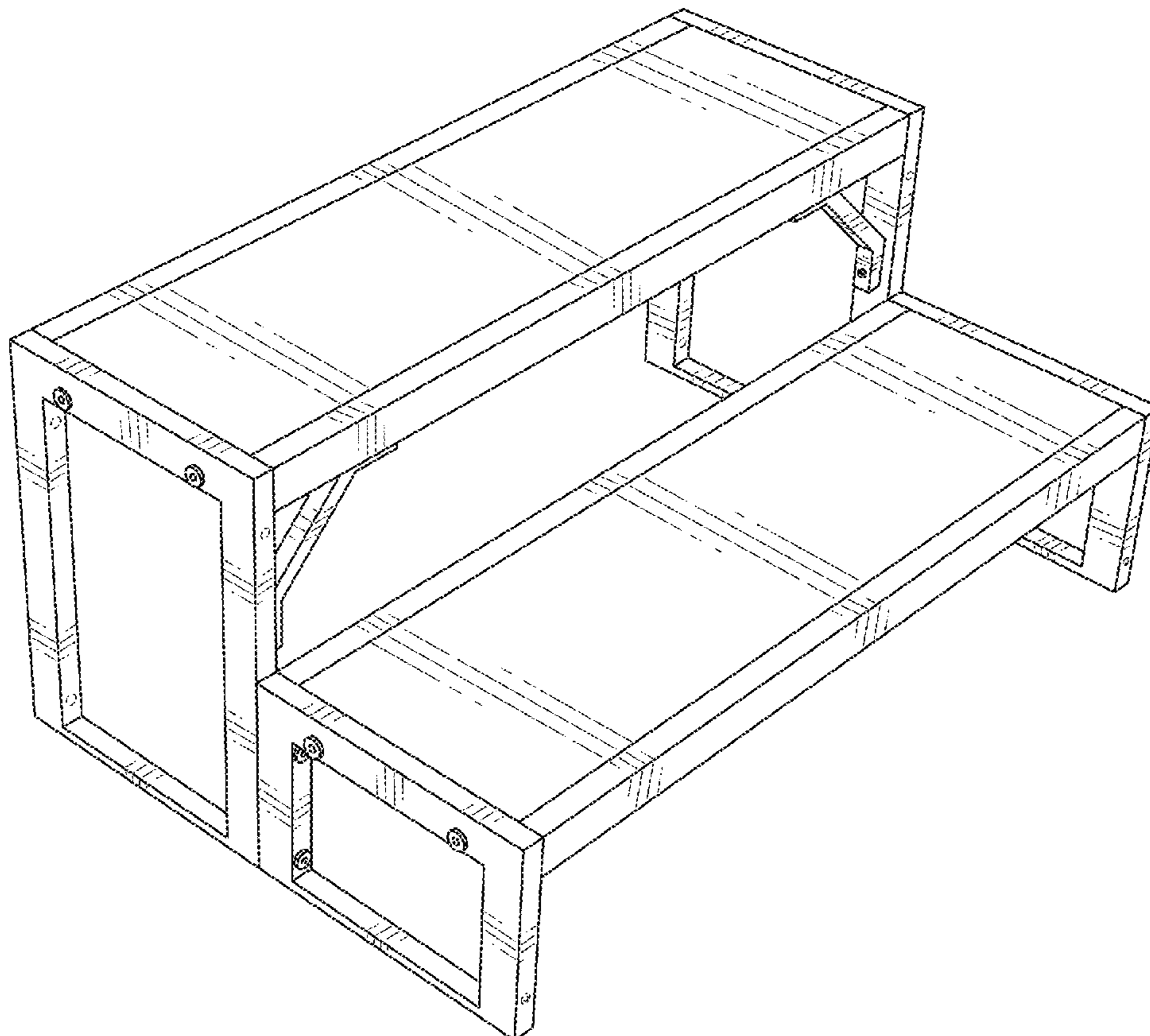
The dot-dashed broken lines shown in the figures are for the purpose of illustrating boundaries of the claimed design and form no part of the claimed design.

(56) **References Cited**

U.S. PATENT DOCUMENTS

D375,290 S * 11/1996 Hall D12/318
D557,936 S * 12/2007 Van Es D6/675.3

1 Claim, 7 Drawing Sheets



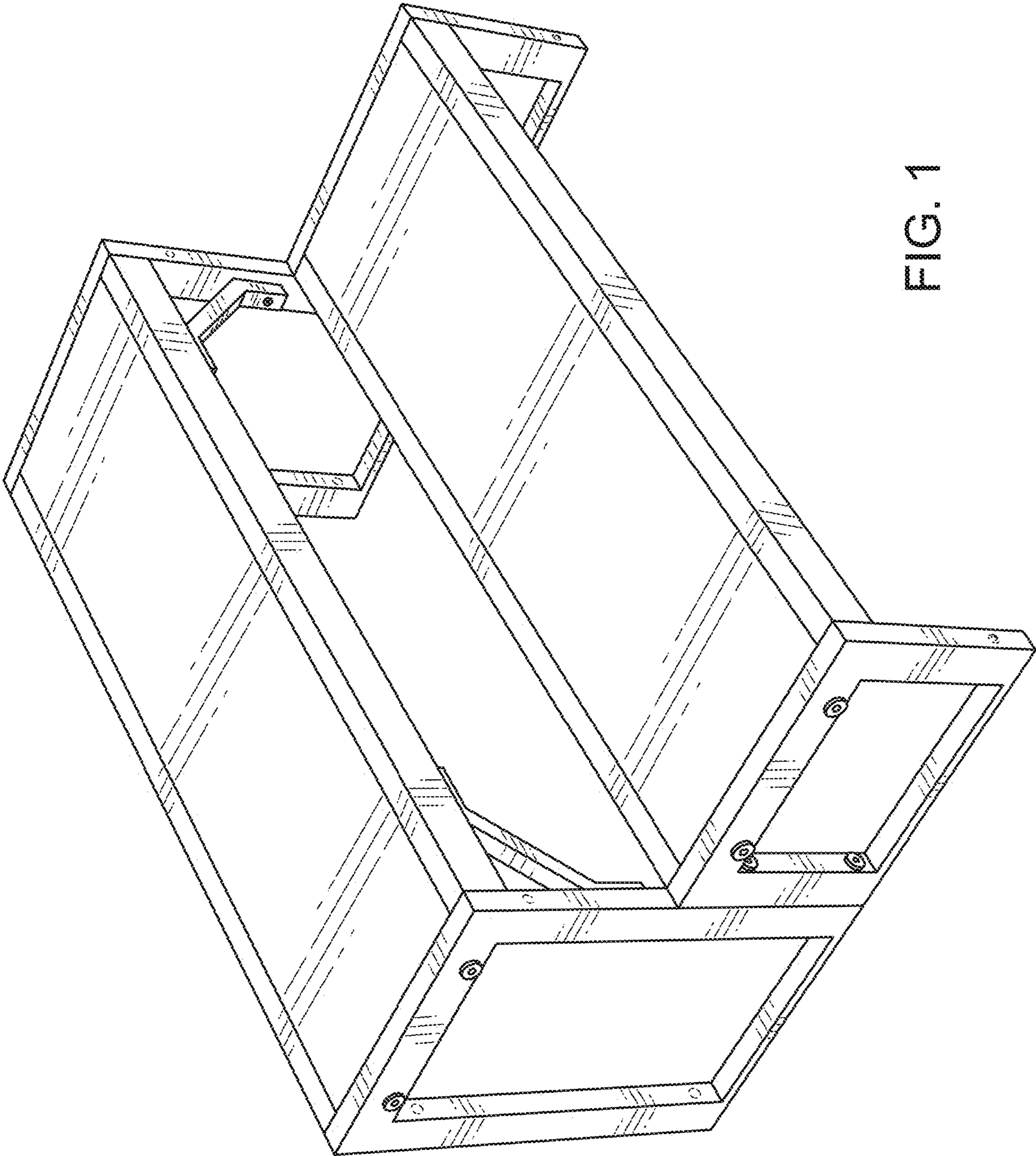


FIG. 1

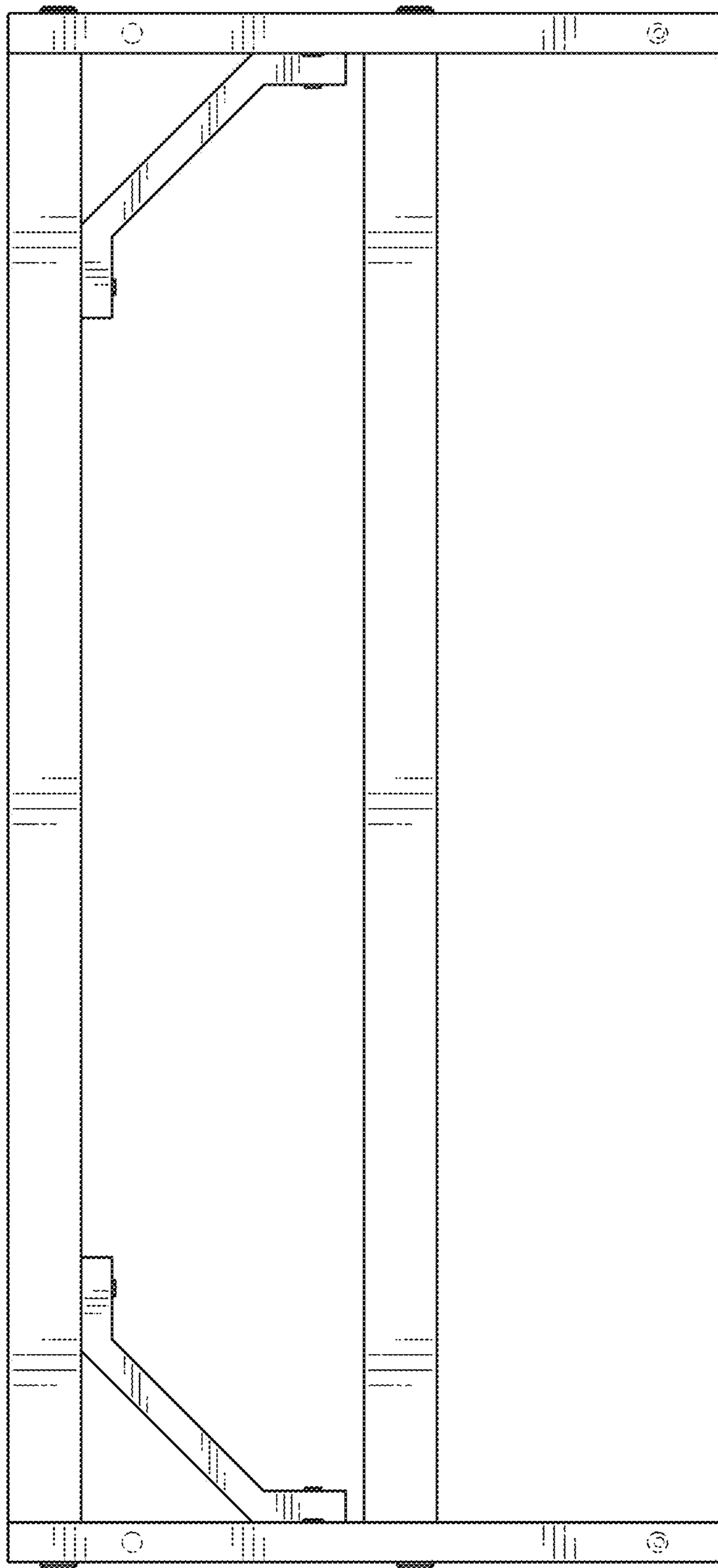


FIG. 2

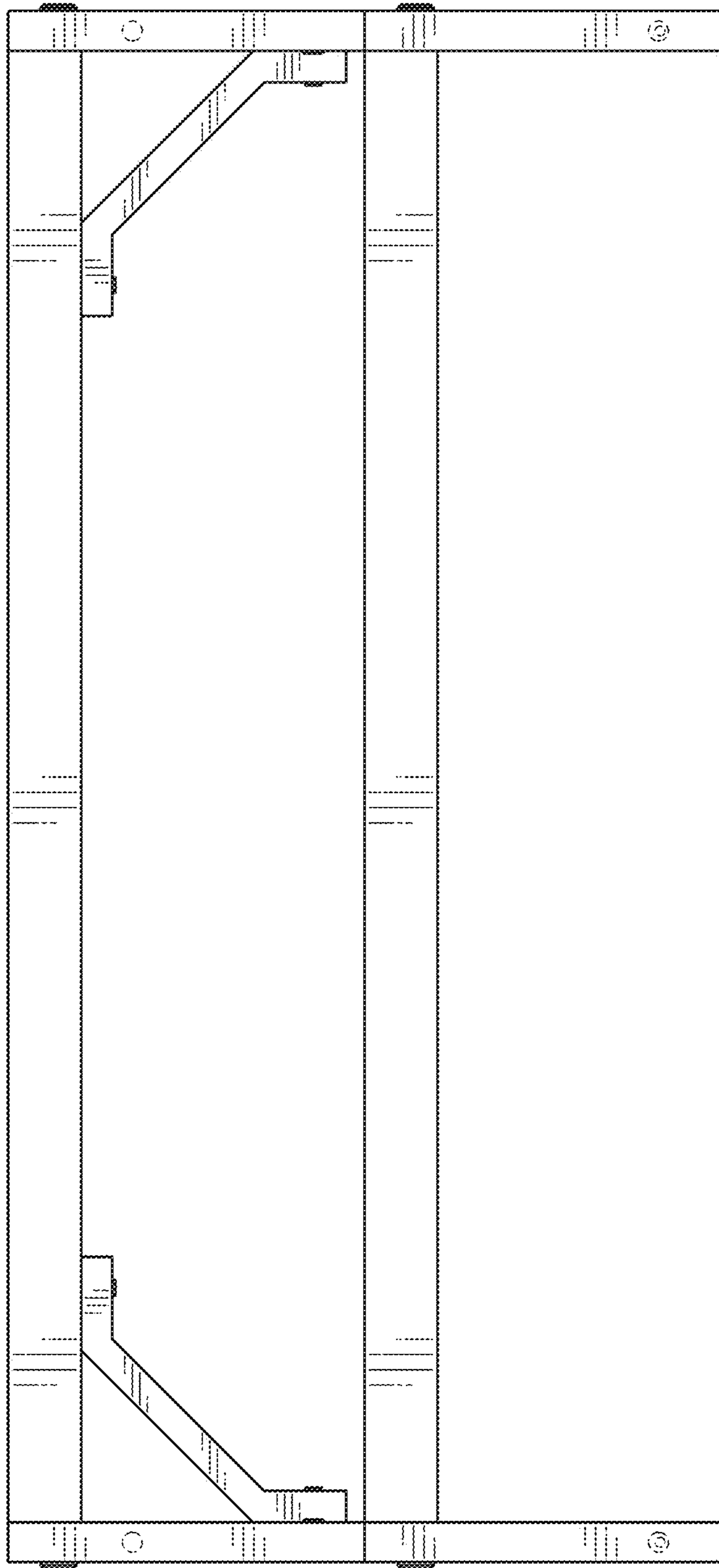


FIG. 3

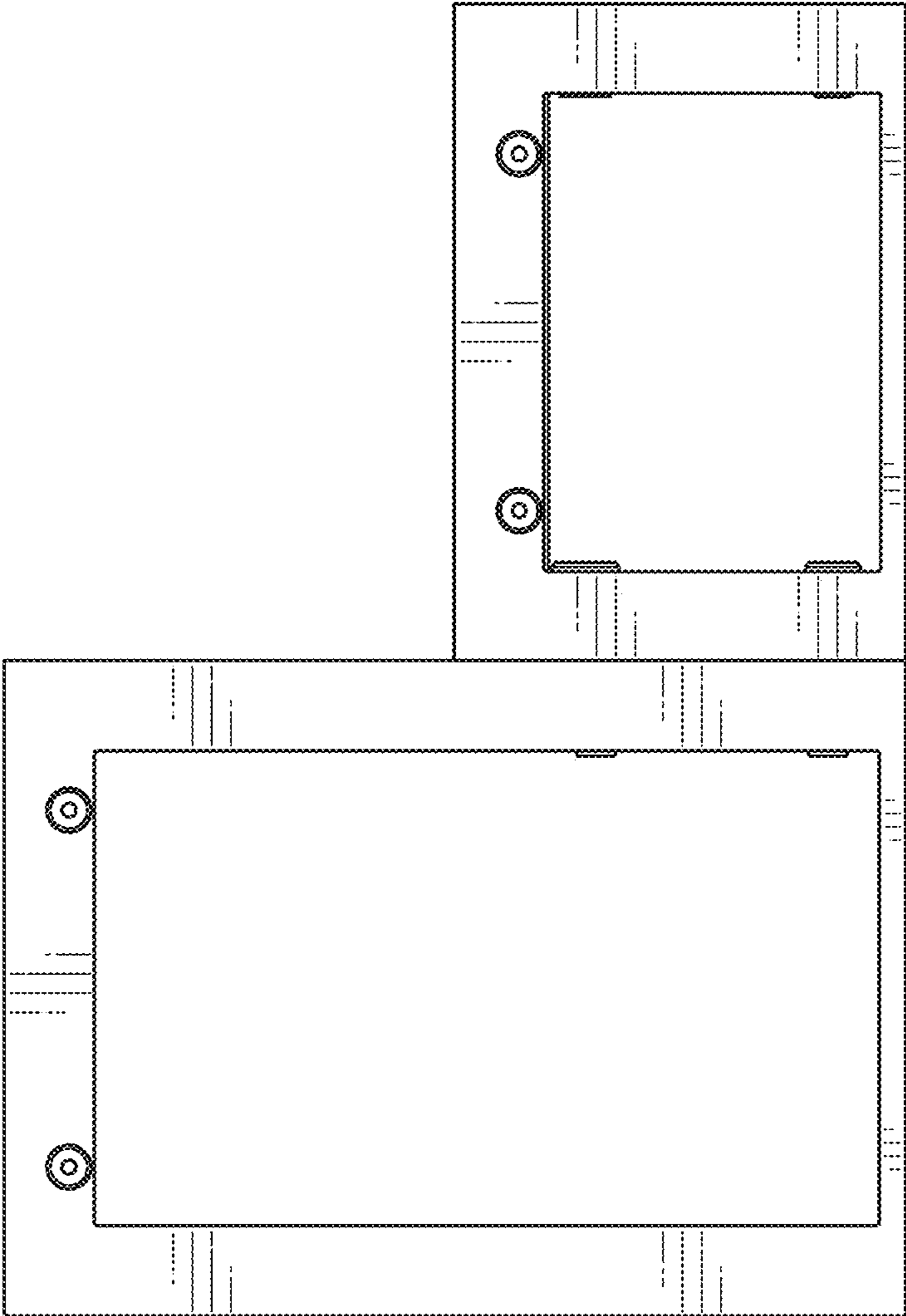


FIG. 4

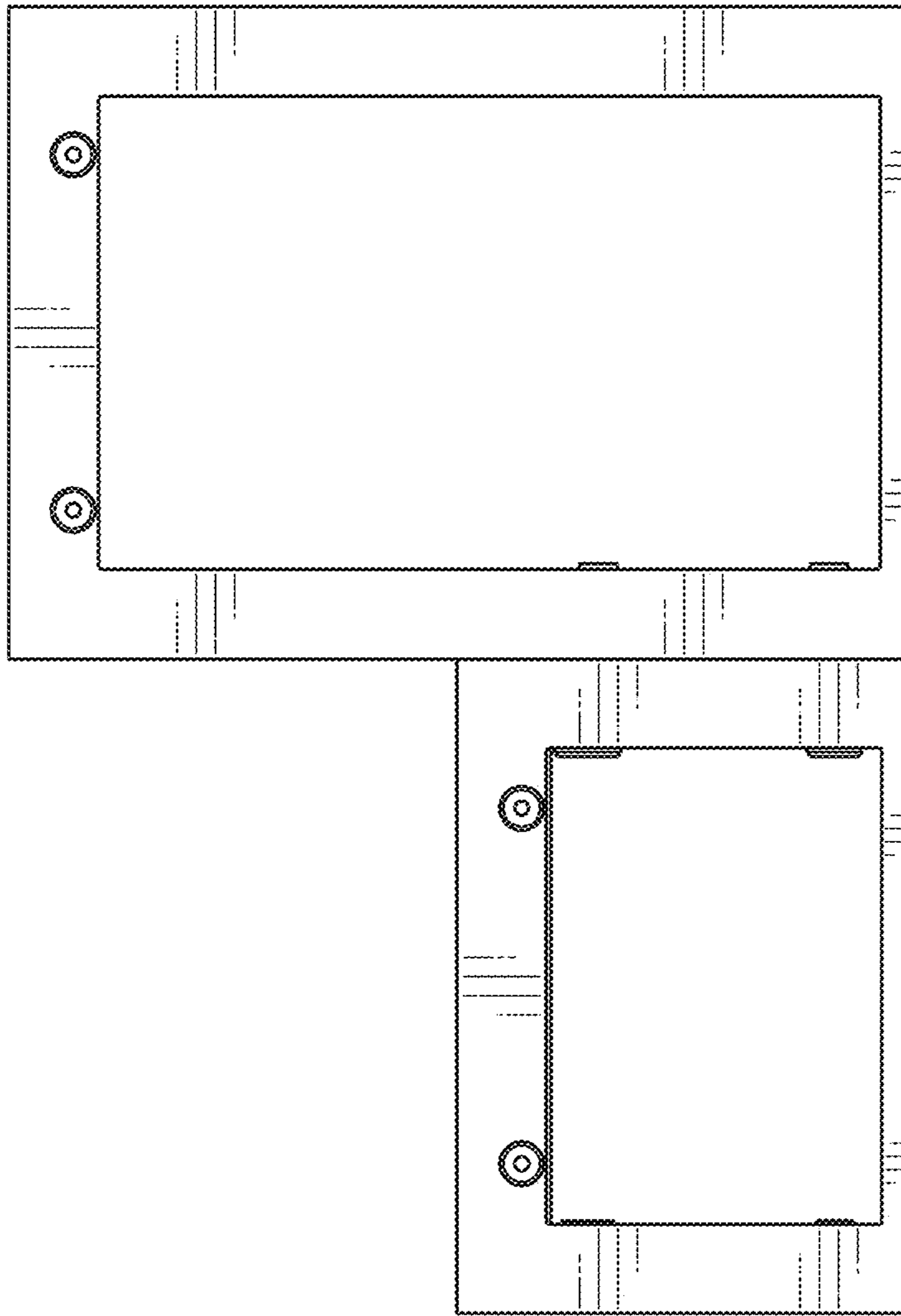


FIG. 5

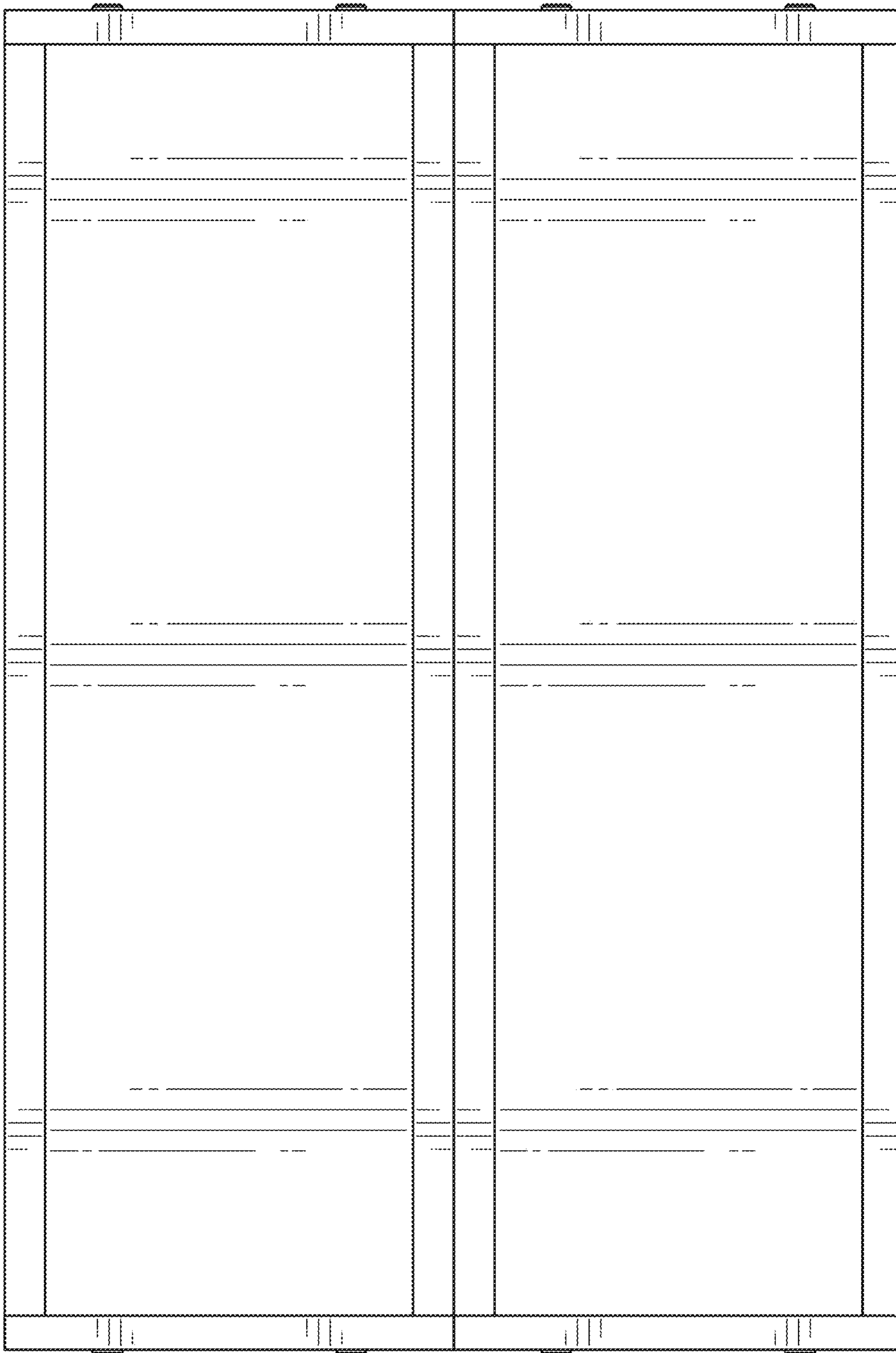


FIG. 6

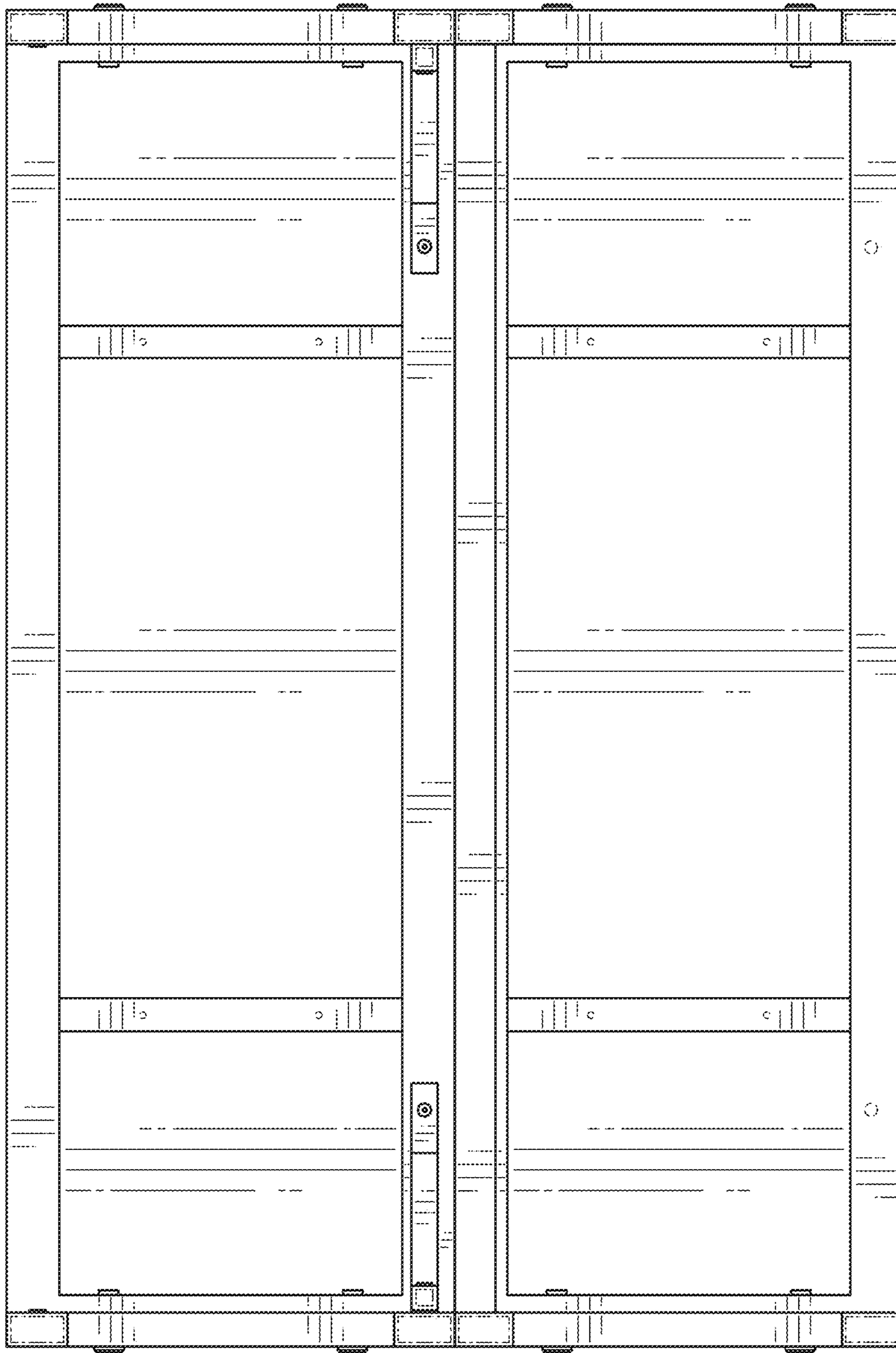


FIG. 7