



US00D964596S

(12) **United States Design Patent** (10) **Patent No.:** **US D964,596 S**
Lehtinen et al. (45) **Date of Patent:** **** Sep. 20, 2022**

(54) **PORTABLE OFFICE/MEETING ROOM**

(71) Applicant: **Framery Oy**, Tampere (FI)

(72) Inventors: **Jarno Lehtinen**, Pohjankuru (FI); **Joonas Vartola**, Helsinki (FI); **Olli Laaksonen**, Turku (FI); **Lasse Karvinen**, Tampere (FI); **Samu Hällfors**, Tampere (FI); **Ville Puolimatka**, Siivikkala (FI); **Henrik Ashorn**, Tampere (FI)

(73) Assignee: **FRAMERY OY**, Tampere (FI)

(**) Term: **15 Years**

(21) Appl. No.: **29/754,768**

(22) Filed: **Oct. 14, 2020**

(30) **Foreign Application Priority Data**

Apr. 14, 2020 (EM) 007809439

(51) **LOC (13) Cl.** **25-03**

(52) **U.S. Cl.**
USPC **D25/16**

(58) **Field of Classification Search**
USPC D25/1-35; D6/332, 337, 640
CPC E04H 1/14; E04H 1/125
See application file for complete search history.

(56) **References Cited**

U.S. PATENT DOCUMENTS

| | | | | |
|--------------|--------|-----------|-------|--------|
| D844,810 S * | 4/2019 | Hällfors | | D25/16 |
| D844,817 S * | 4/2019 | Zhu | | D25/16 |
| D844,818 S * | 4/2019 | Zhu | | D25/16 |
| D872,302 S * | 1/2020 | Tibi | | D25/16 |
| D886,324 S * | 6/2020 | Haveri | | D25/16 |
| D895,148 S * | 9/2020 | Wallinmaa | | D25/18 |
| D907,798 S * | 1/2021 | Zhu | | D25/16 |
| D910,206 S * | 2/2021 | Nakata | | D25/16 |

| | | | | |
|-------------------|---------|----------|-------|-------------|
| D911,552 S * | 2/2021 | Kitada | | D25/16 |
| 10,907,370 B1 * | 2/2021 | Waskey | | E04B 1/8218 |
| D912,844 S * | 3/2021 | Pucci | | D25/16 |
| D921,926 S * | 6/2021 | Ko | | D25/16 |
| D933,852 S * | 10/2021 | Zhu | | D25/16 |
| 2020/0018060 A1 * | 1/2020 | Watanabe | | E04H 1/125 |
| 2020/0128959 A1 * | 4/2020 | Agrawal | | G07C 9/27 |

FOREIGN PATENT DOCUMENTS

| | | | |
|----|----------------|---|---------|
| CN | 305110808 | * | 4/2019 |
| EM | 004488526-0013 | * | 11/2017 |
| EM | 007463625-0001 | * | 1/2020 |

* cited by examiner

Primary Examiner — Brett Miller

Assistant Examiner — Jasmine L. Comedy

(74) *Attorney, Agent, or Firm* — Thomas | Horstemeyer, LLP

(57) **CLAIM**

The ornamental design for a portable office/meeting room, as shown and described.

DESCRIPTION

FIG. 1 is an enlarged perspective view of a portable office/meeting room of the inset 1 of FIG. 2, showing our new design;

FIG. 2 is a perspective view thereof;

FIG. 3 is another perspective view thereof, from a different angle than FIG. 2;

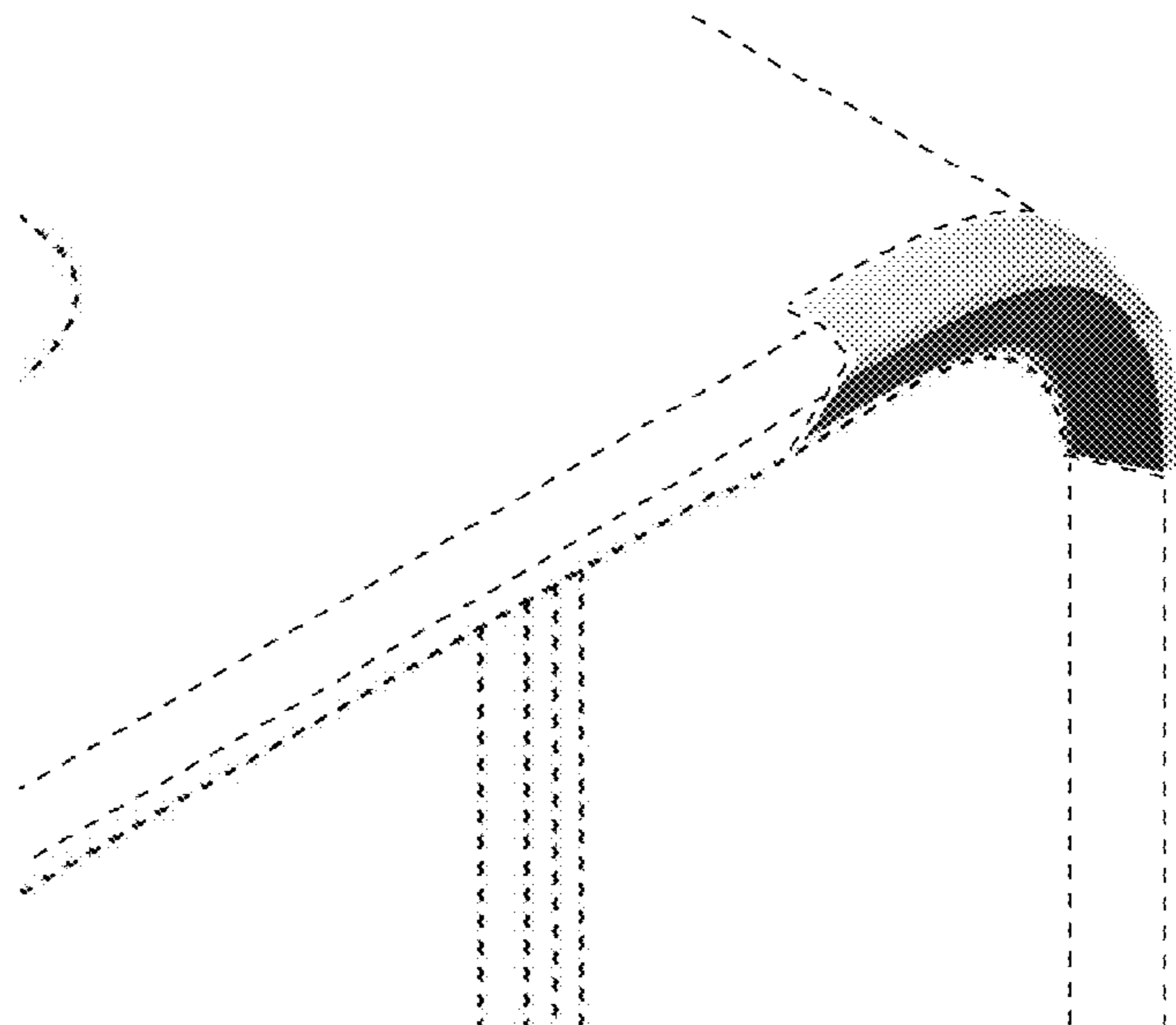
FIG. 4 is a front view thereof;

FIG. 5 is a left side view thereof; and,

FIG. 6 is a top view thereof.

The broken lines shown in the drawings of the portable office/meeting room are for the purpose of illustrating the environment and form no part of the claimed design. The black band about the periphery of the side in FIGS. 1, 2 and 4 depicts a frame structure.

1 Claim, 6 Drawing Sheets



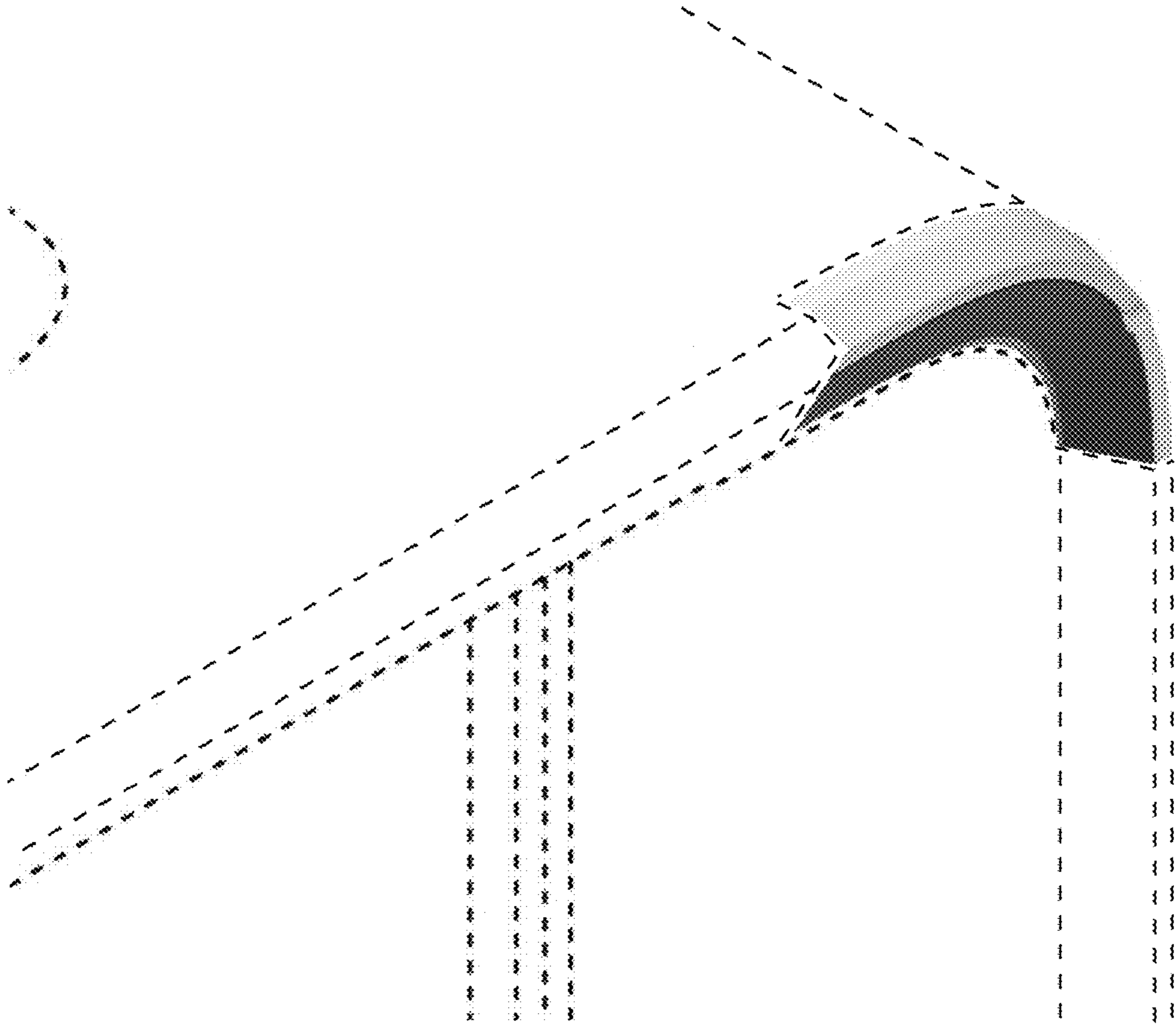


FIG. 1

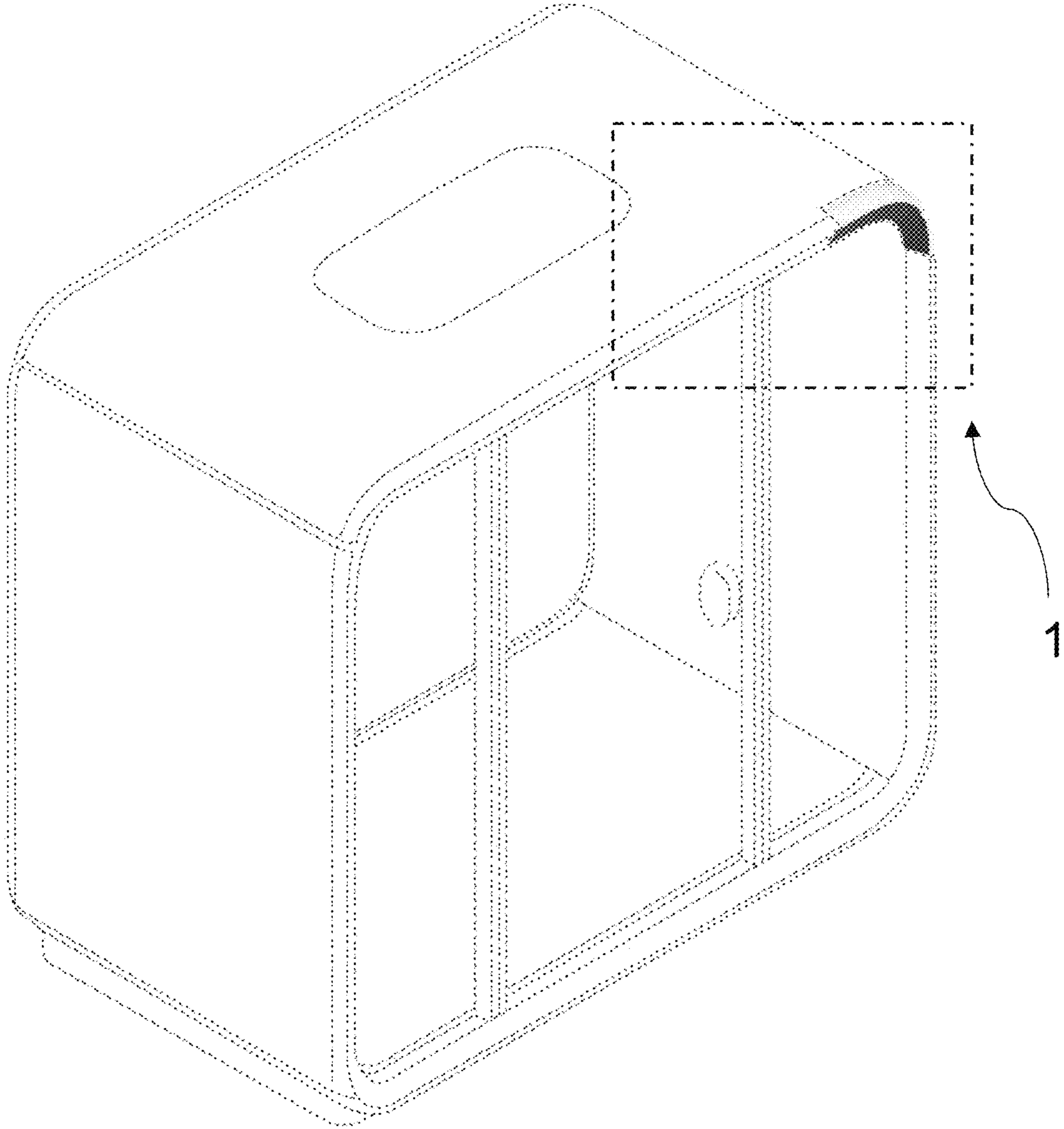


FIG. 2

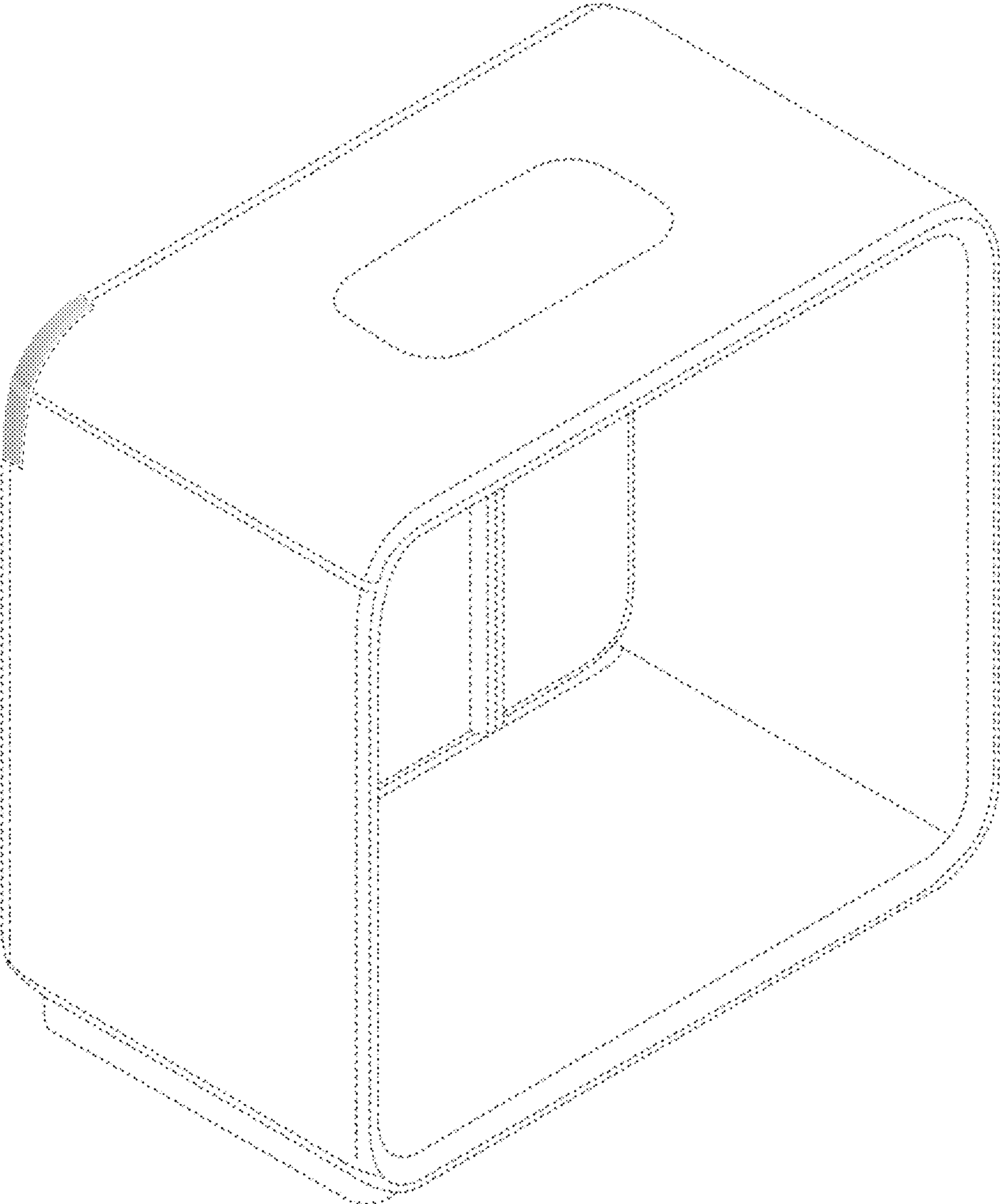


FIG. 3



FIG. 4

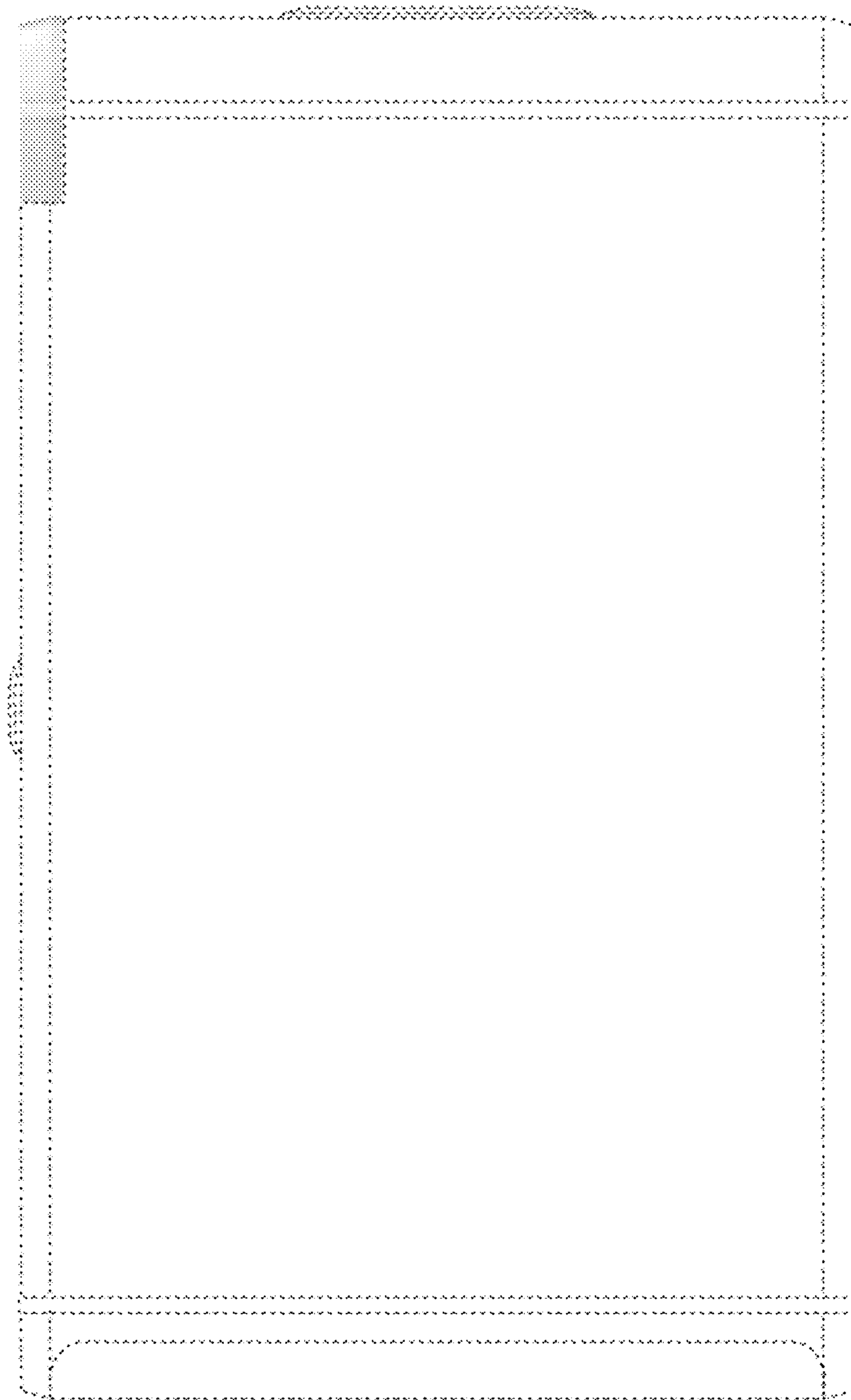


FIG. 5

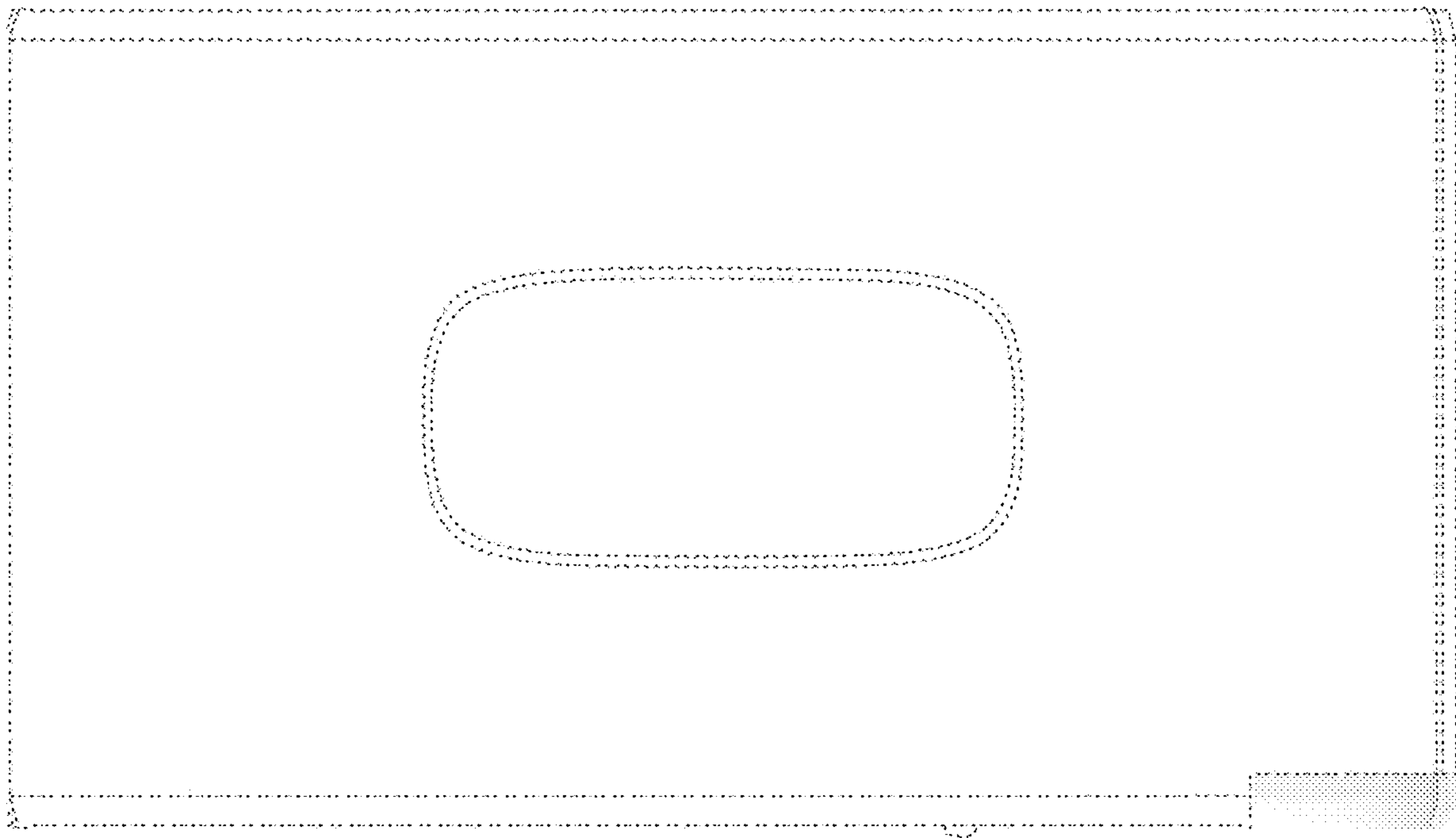


FIG. 6