



US00D964594S

(12) **United States Design Patent**
Hariri et al.

(10) **Patent No.:** **US D964,594 S**
(45) **Date of Patent:** **** Sep. 20, 2022**

- (54) **FOLDING POD/SHELTER**
- (71) Applicants: **Gisue Hariri**, New York, NY (US);
Mojgan Hariri, New York, NY (US);
Richard James Hope Perkin,
Barnstaple (GB)
- (72) Inventors: **Gisue Hariri**, New York, NY (US);
Mojgan Hariri, New York, NY (US);
Richard James Hope Perkin,
Barnstaple (GB)
- (**) Term: **15 Years**
- (21) Appl. No.: **29/739,345**
- (22) Filed: **Jun. 24, 2020**
- (51) **LOC (13) Cl.** **25-03**
- (52) **U.S. Cl.**
USPC **D25/1; D25/23**
- (58) **Field of Classification Search**
USPC D25/1, 3-35; 135/87, 115-117; 52/71;
D21/834; 296/159
CPC E04H 1/1205; E04H 15/48; E04H 15/54;
E04B 1/3445; E04B 1/34336; E04B
1/34384; A45F 4/04
See application file for complete search history.

- 3,714,749 A 2/1973 Aitken
- 3,807,104 A 4/1974 Webster
- 3,831,337 A 8/1974 Johnson
- 4,074,477 A 2/1978 Runyon
- 4,118,901 A 10/1978 Johnson
- 4,133,149 A 1/1979 Angress
- 4,145,850 A 3/1979 Runyon
- 4,603,658 A 8/1986 Gamsey

(Continued)

FOREIGN PATENT DOCUMENTS

- FR 2585746 A1 2/1987
- FR 2826385 A1 12/2002

(Continued)

OTHER PUBLICATIONS

Folding Pods for Disaster Relief, announced in YouTube on Apr. 1, 2019 [online], [site visited Mar. 30, 2022], Available from the internet URL: <https://www.youtube.com/watch?v=JHbUaYxDgW4> (Year: 2019).*

Primary Examiner — Brett Miller
Assistant Examiner — Jasmine L. Comedy
(74) *Attorney, Agent, or Firm* — Budzyn IP Law, LLC

(57) **CLAIM**

The ornamental design for a folding pod/shelter, as shown and described.

DESCRIPTION

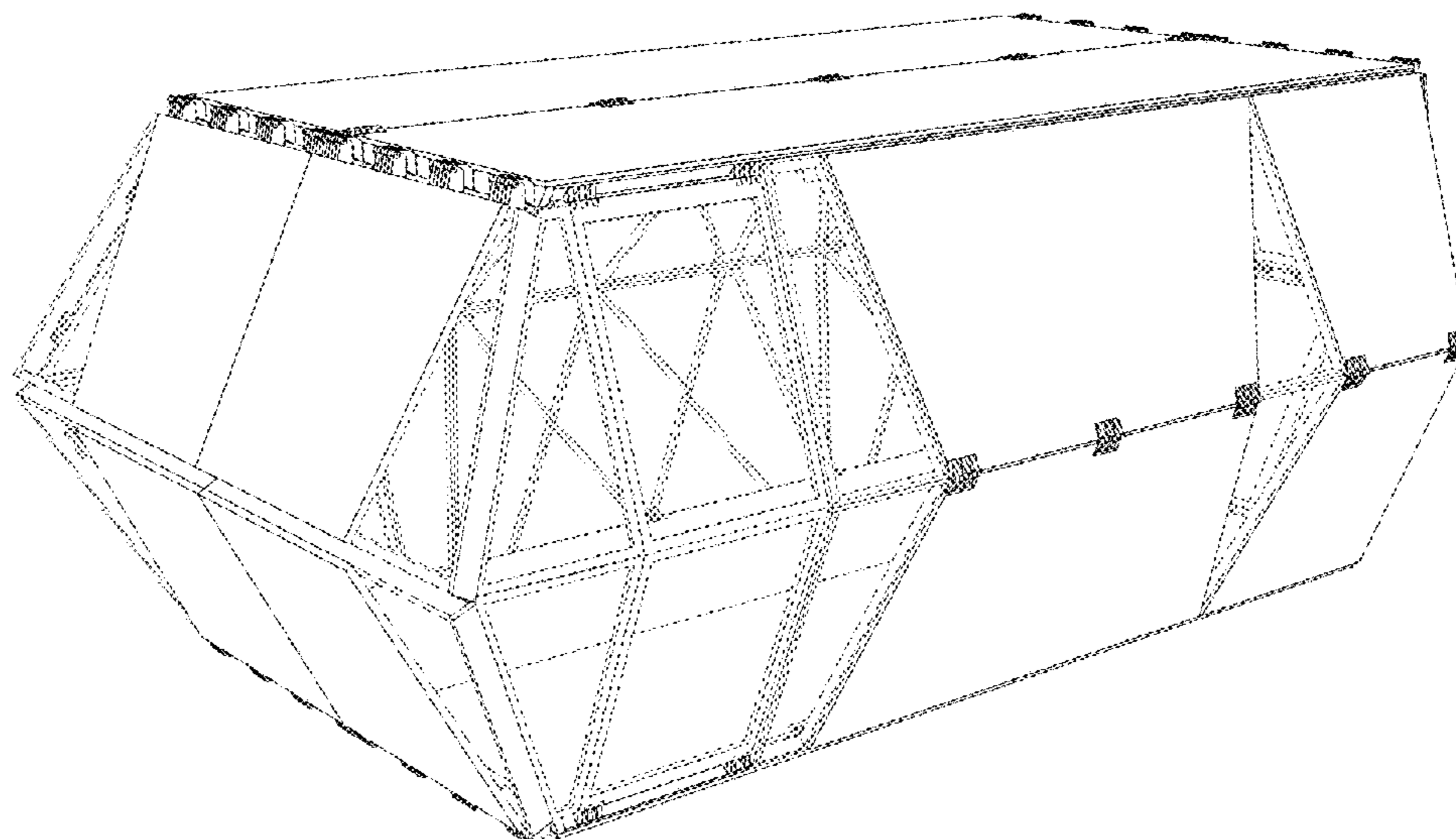
FIG. 1 is a front, left side perspective view of a folding pod/shelter;
FIG. 2 is a front, right side perspective view thereof;
FIG. 3 is a top plan view thereof, the bottom plan view being identical thereto;
FIG. 4 is a front elevational view thereof;
FIG. 5 is a left elevational view thereof;
FIG. 6 is a rear elevational view thereof; and,
FIG. 7 is a right elevational view thereof.

1 Claim, 4 Drawing Sheets

(56) **References Cited**

U.S. PATENT DOCUMENTS

- 1,335,456 A * 3/1920 Nelson A47C 17/64
5/113
- 1,487,583 A * 3/1924 Loeffler E04B 1/344
52/93.2
- 2,835,931 A 5/1958 Albert
- 2,846,262 A * 8/1958 Ray B60P 3/38
135/88.13
- 2,955,606 A * 10/1960 Walker E04H 15/20
52/2.21
- 3,346,998 A 10/1967 Nelson
- 3,445,970 A 5/1969 Nelson
- 3,534,513 A 10/1970 Aitken



(56)

References Cited

U.S. PATENT DOCUMENTS

4,937,987 A 7/1990 Runyon
 4,951,432 A 8/1990 Wilkinson
 5,107,639 A 4/1992 Morin et al.
 5,327,927 A * 7/1994 Oh E04H 15/58
 135/117
 5,493,818 A 2/1996 Wilson
 5,566,514 A 10/1996 Freller
 5,660,002 A * 8/1997 Lashinger A01G 9/16
 52/222
 5,752,470 A 5/1998 Koneke
 5,771,639 A 6/1998 Wood et al.
 5,950,568 A 9/1999 Axelrod et al.
 7,025,019 B2 4/2006 Axelrod et al.
 7,347,164 B2 3/2008 Axelrod et al.
 7,540,390 B2 6/2009 Bublitz et al.
 7,552,563 B2 6/2009 Becker
 7,774,919 B2 8/2010 Bublitz et al.
 8,235,008 B2 8/2012 Axelrod et al.
 8,763,315 B2 7/2014 Hartman et al.

9,416,528 B2 8/2016 Schaffert et al.
 9,441,358 B2 9/2016 Hartman et al.
 D820,469 S 6/2018 Watson
 10,364,587 B2 7/2019 Watson
 2005/0076584 A1 * 4/2005 Loranger E04H 15/06
 52/79.5
 2007/0056977 A1 3/2007 Dobrinski et al.
 2009/0014044 A1 * 1/2009 Hartman E04B 1/34357
 135/143
 2012/0037197 A1 2/2012 Koepke et al.
 2013/0312799 A1 * 11/2013 Hotes E04H 15/48
 135/93
 2016/0138258 A1 5/2016 Schaffert et al.
 2016/0208513 A1 * 7/2016 Ways E04H 15/48
 2021/0404170 A1 * 12/2021 Hariri E04B 1/34336

FOREIGN PATENT DOCUMENTS

GB 6037045 * 6/2018
 NL 1022863 C2 9/2004

* cited by examiner

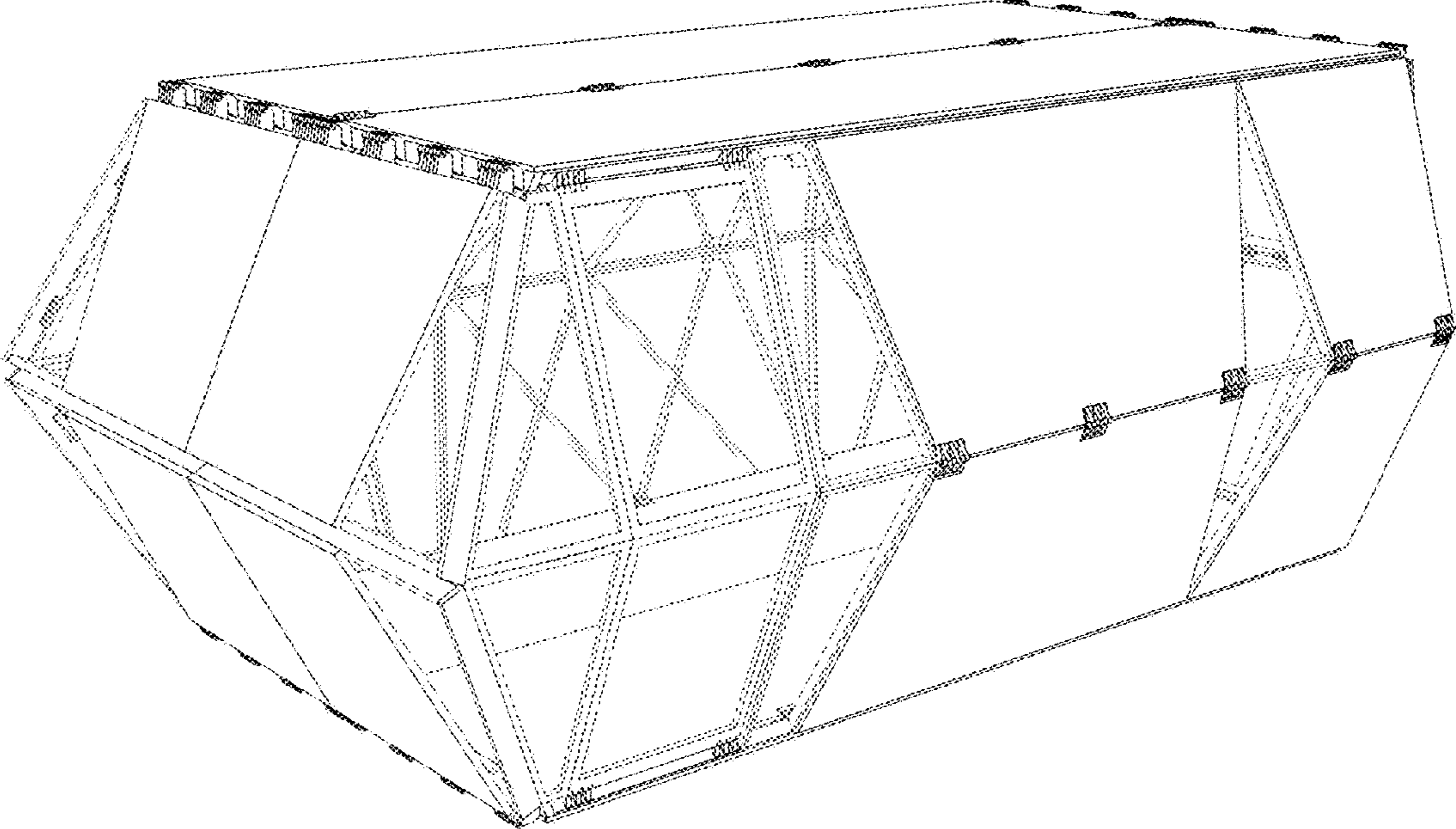


FIG. 1

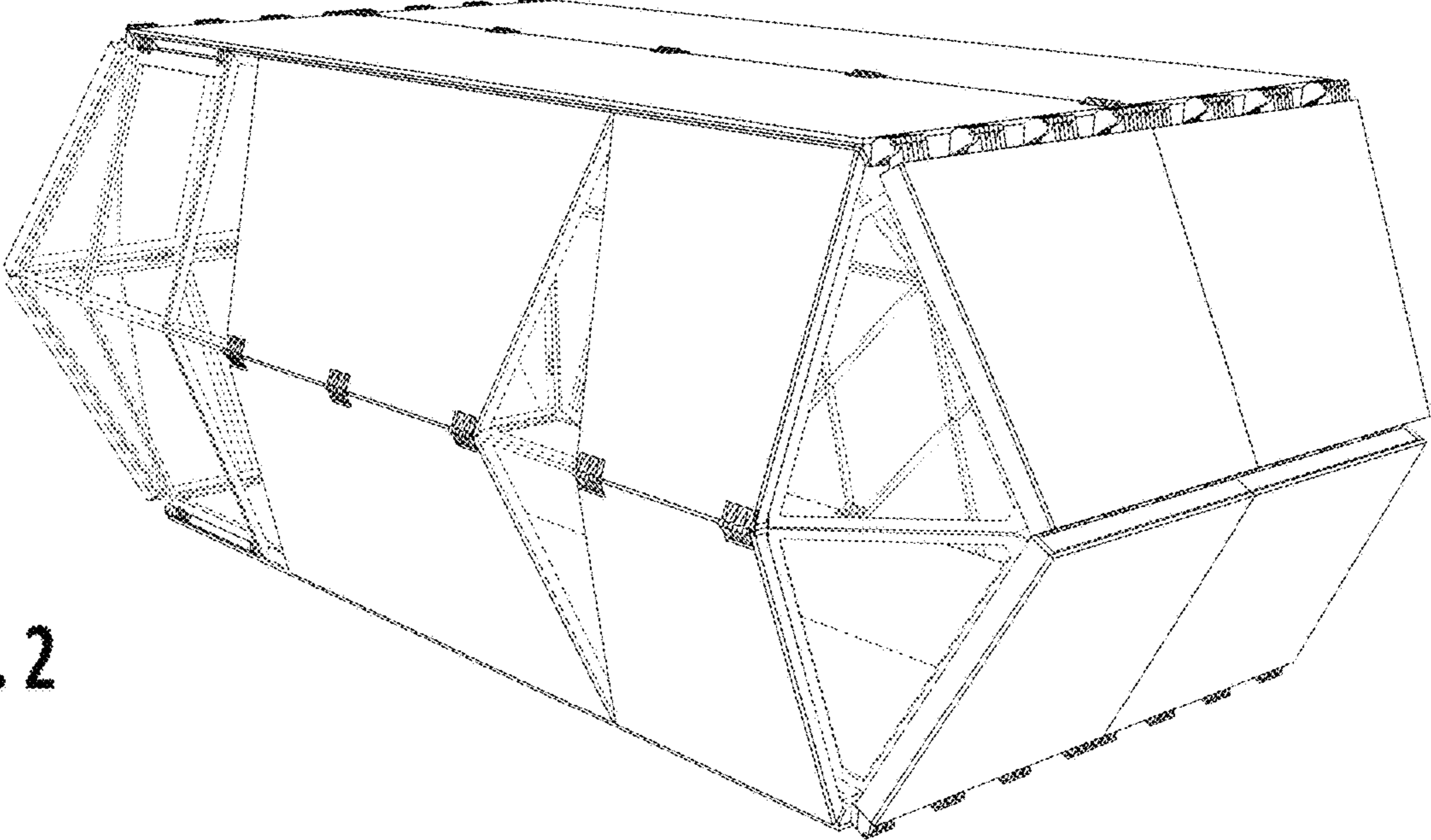


FIG. 2

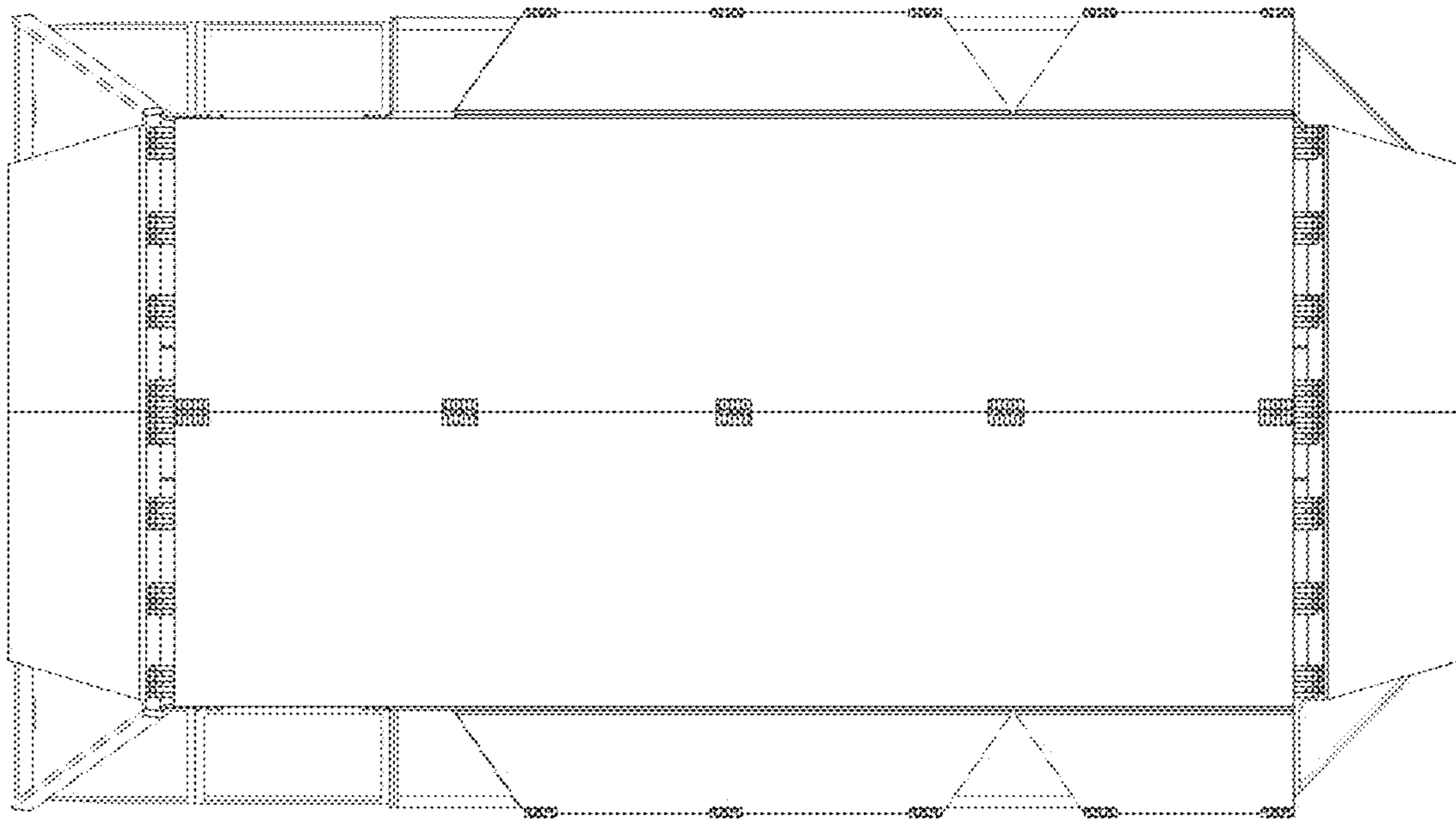


FIG. 3

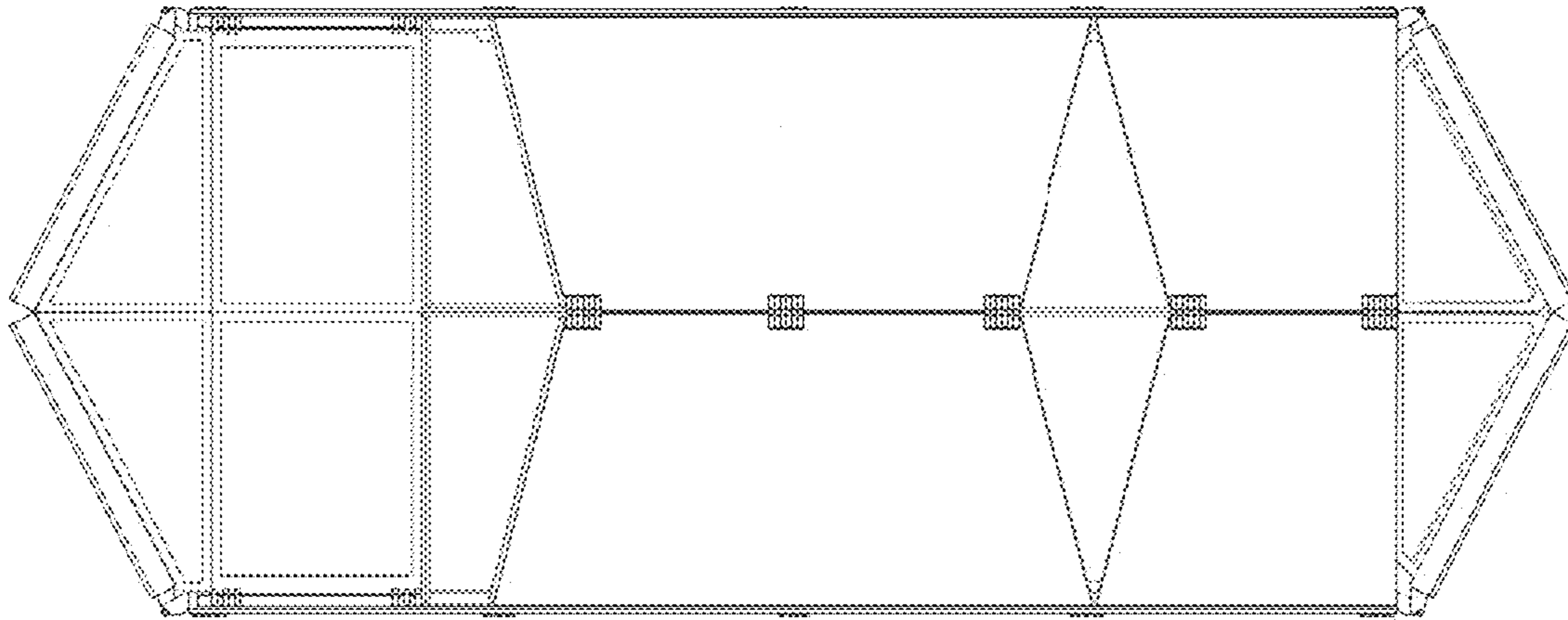


FIG. 4

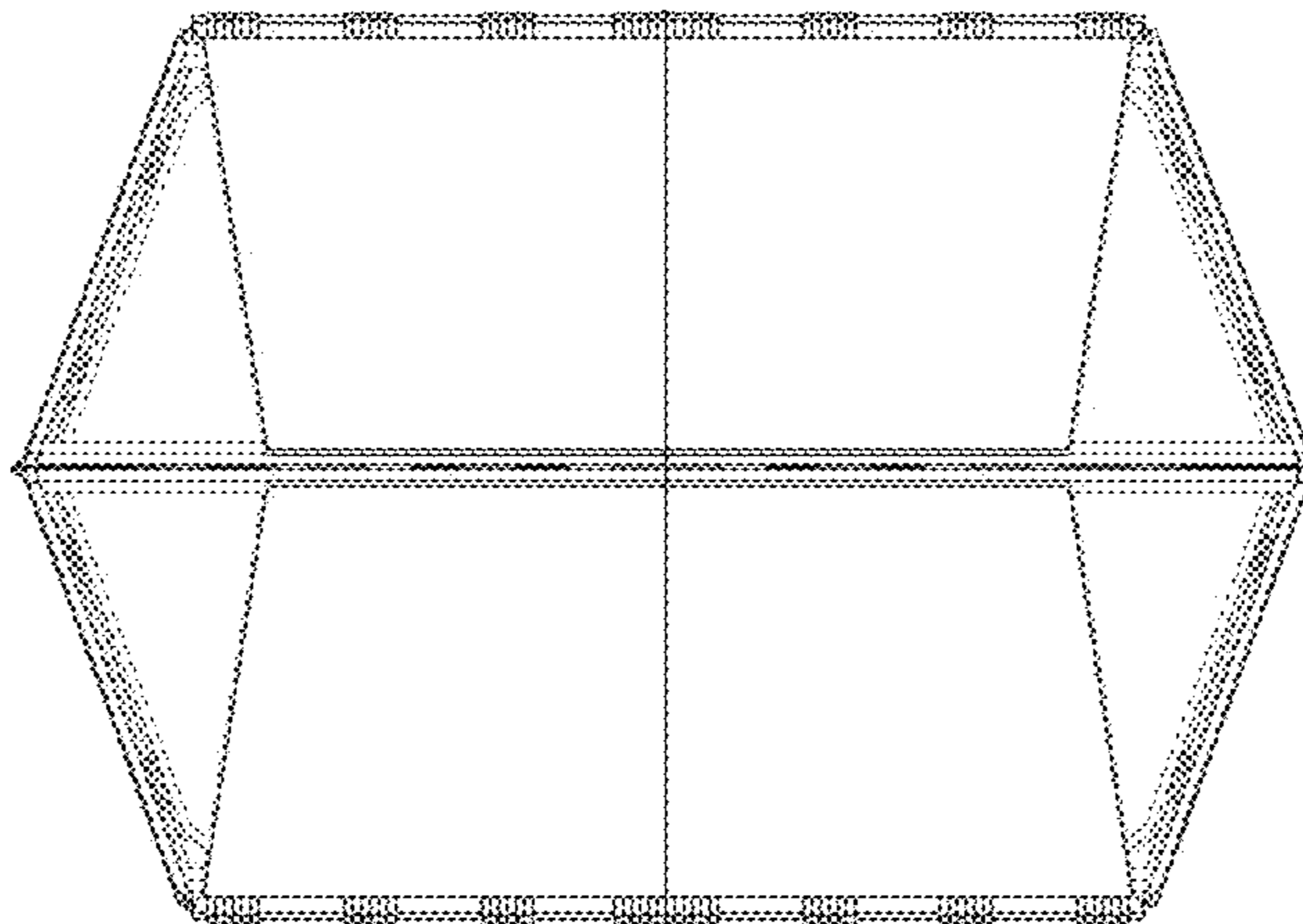


FIG. 5

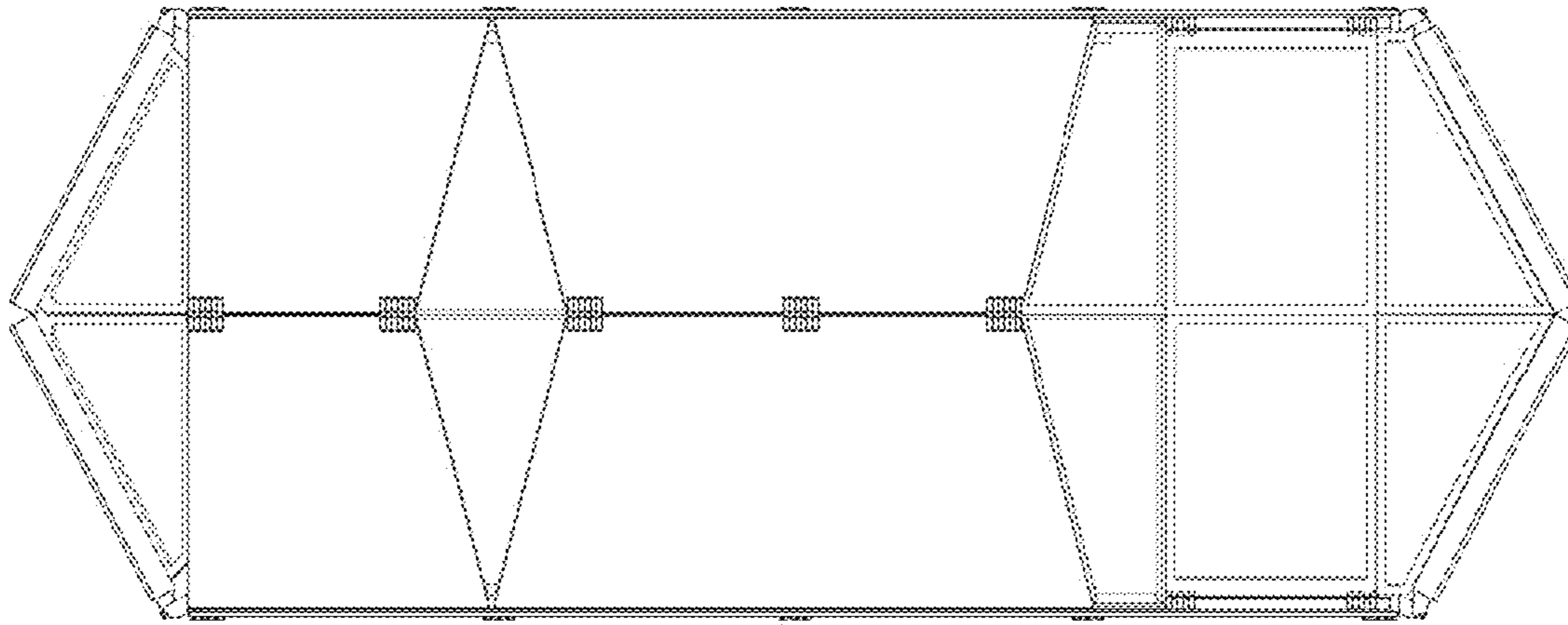


FIG. 6

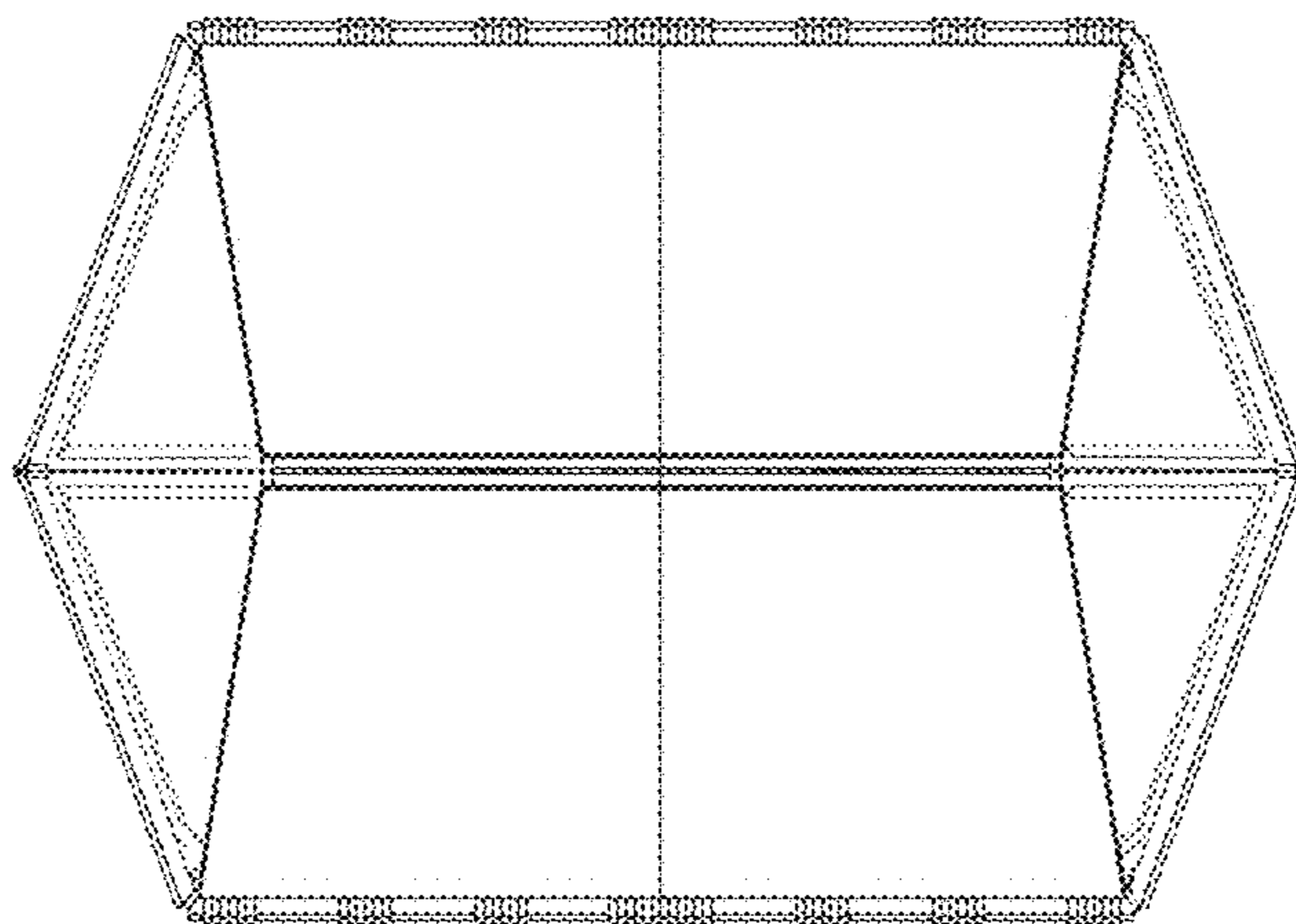


FIG. 7