



US00D964593S

(12) **United States Design Patent**
Grimmel

(10) **Patent No.:** **US D964,593 S**

(45) **Date of Patent:** **** Sep. 20, 2022**

(54) **LABORATORY DEVICE**

(71) Applicant: **Leica Microsystems CMS GmbH,**
Wetzlar (DE)

(72) Inventor: **Patrick Grimmel,** Essen (DE)

(73) Assignee: **Leica Microsystems CMS GmbH,**
Wetzlar (DE)

(**) Term: **15 Years**

(21) Appl. No.: **29/741,265**

(22) Filed: **Jul. 10, 2020**

(30) **Foreign Application Priority Data**

Jan. 10, 2020 (EM) 007497334-0001

(51) **LOC (13) Cl.** **24-01**

(52) **U.S. Cl.**
USPC **D24/232**

(58) **Field of Classification Search**

USPC D24/107, 169, 186, 216, 219, 231, 232,
D24/233; D10/81

CPC G01N 1/06; G01N 1/31; G01N 1/061;
G01N 2001/065; Y10T 83/202; Y10T
436/11; Y10T 436/112499

See application file for complete search history.

(56) **References Cited**

U.S. PATENT DOCUMENTS

6,086,737 A * 7/2000 Patonay G01N 21/6458
204/452
D588,276 S * 3/2009 Isozaki D24/232
D591,864 S * 5/2009 Schmidt D24/216
D621,523 S * 8/2010 Onuma D24/234
D653,764 S * 2/2012 Macemon D24/216
D707,844 S * 6/2014 Hilbey D24/216

D796,056 S * 8/2017 Saito D24/232
D864,415 S * 10/2019 Norton D24/232
D890,361 S * 7/2020 Nuesch D24/232
D917,063 S * 4/2021 Ong D24/216
2011/0071039 A1* 3/2011 Kumar G01N 21/76
506/9

* cited by examiner

Primary Examiner — Anhdao Doan

(74) *Attorney, Agent, or Firm* — Lathrop GPM LLP

(57) **CLAIM**

The ornamental design for a laboratory device, as shown and described.

DESCRIPTION

FIG. 1 shows a front perspective of a laboratory device with a lid thereof in a closed configuration;

FIG. 2 shows a front elevation view of the laboratory device of FIG. 1;

FIG. 3 shows a rear elevation view of the laboratory device of FIG. 1;

FIG. 4 shows a right elevation view of the laboratory device of FIG. 1;

FIG. 5 shows a left elevation view of the laboratory device of FIG. 1;

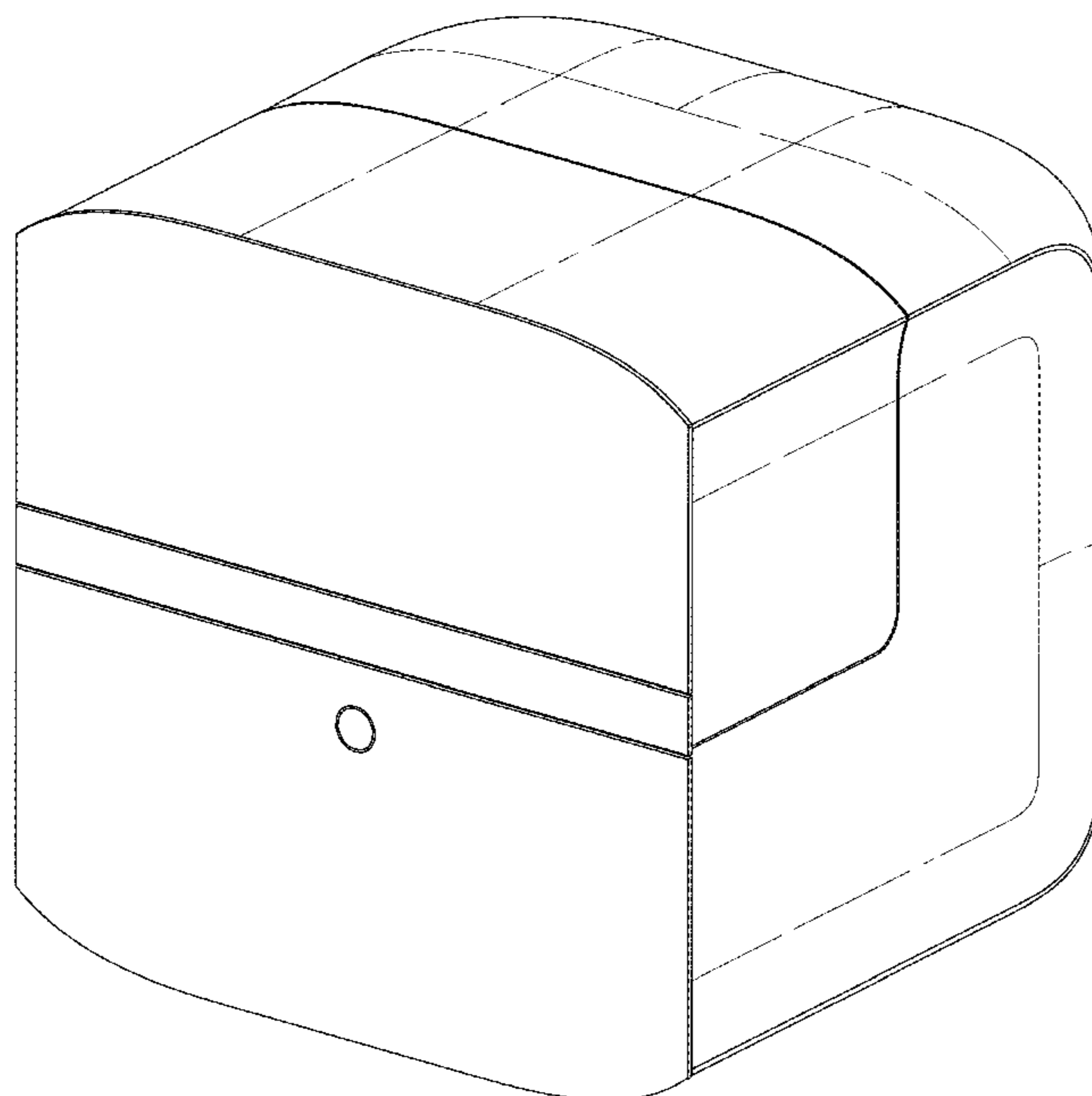
FIG. 6 shows a top plan of the laboratory device of FIG. 1;

FIG. 7 shows a bottom plan of the laboratory device of FIG. 1; and,

FIG. 8 shows a front perspective view of the laboratory device of FIG. 1 with the lid thereof in an open configuration.

All of the broken lines in the accompanying drawings illustrate portions of the laboratory device that form no part of the claimed design.

1 Claim, 8 Drawing Sheets



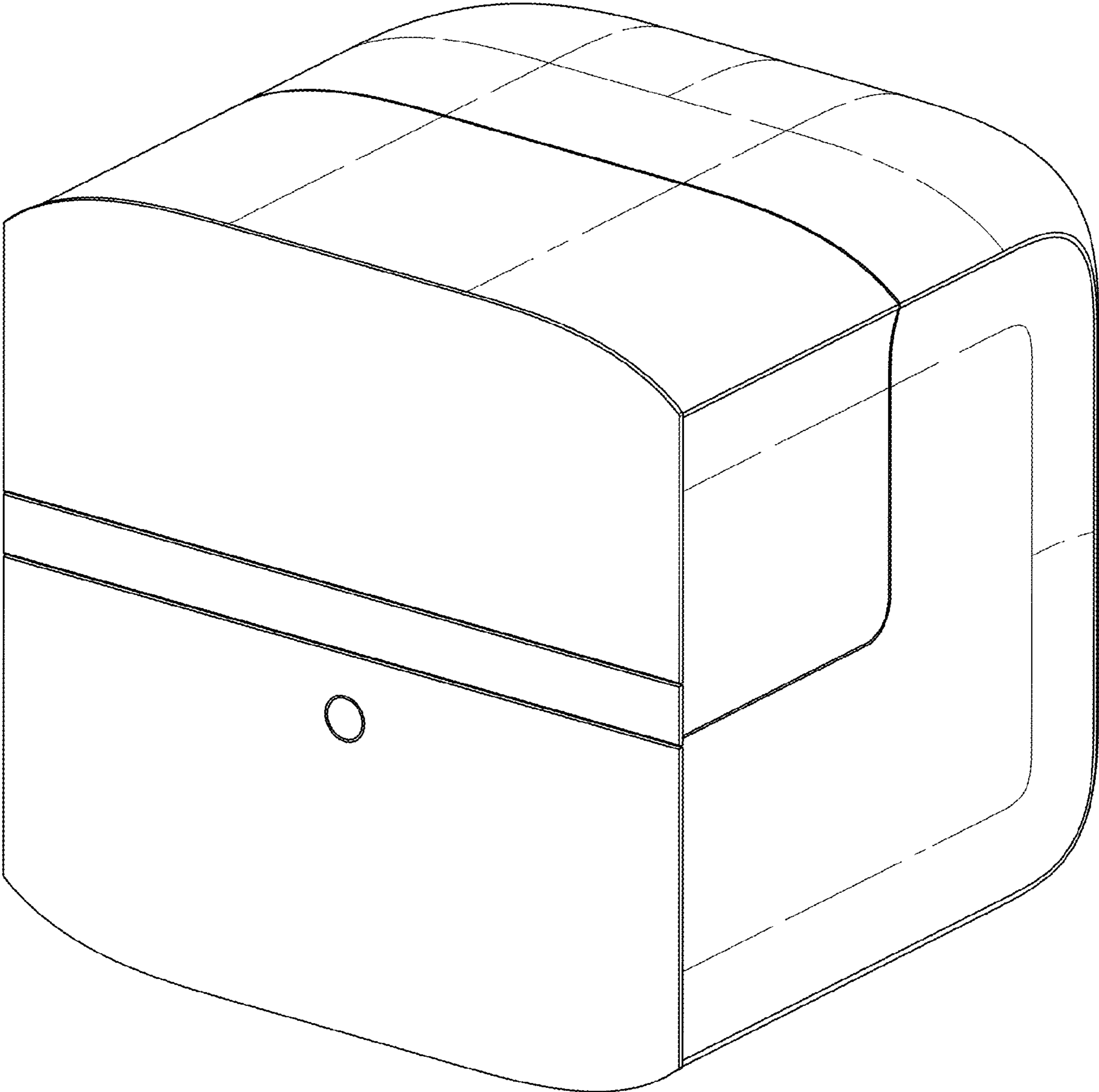


FIG. 1

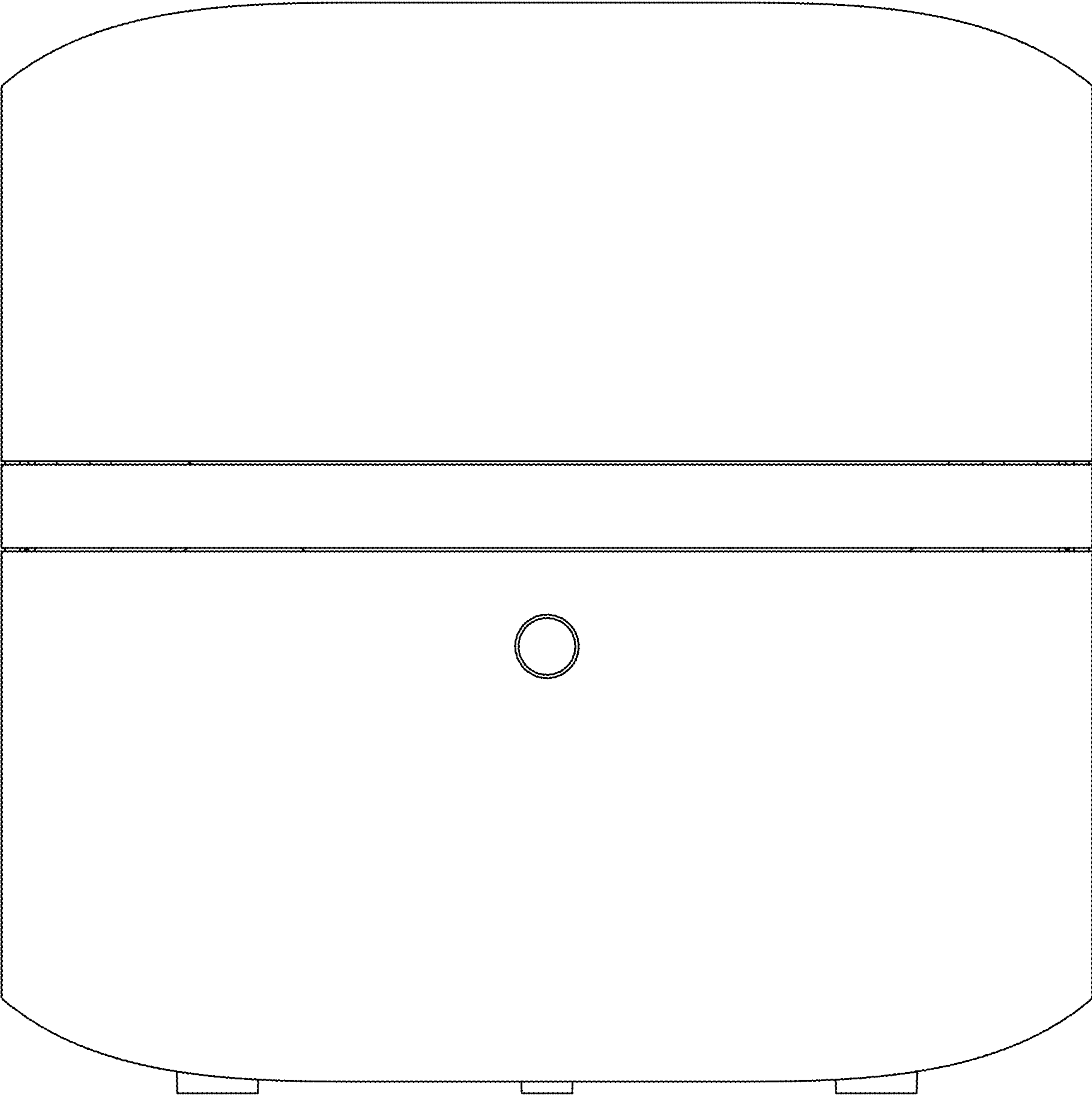


FIG. 2

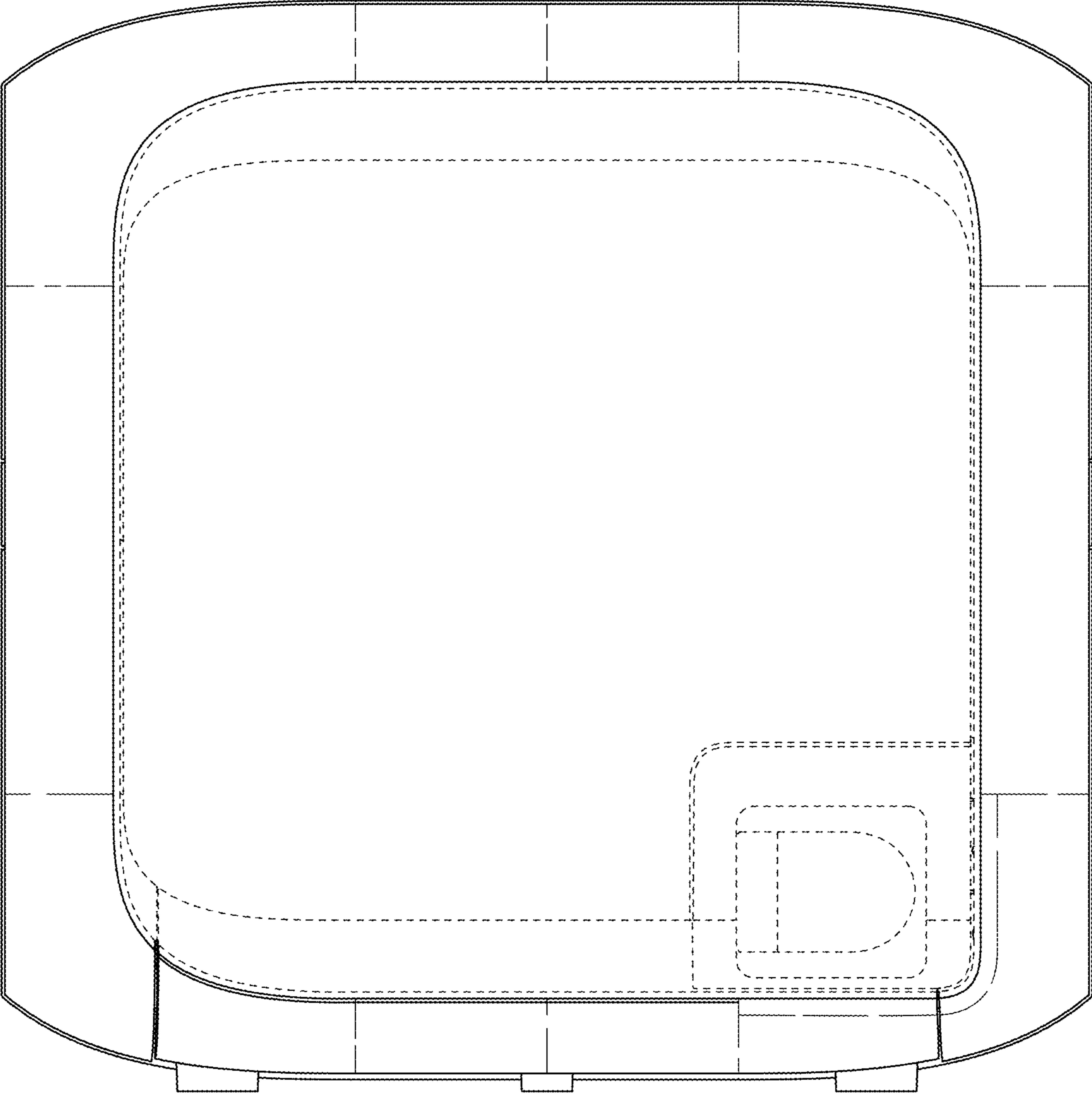


FIG. 3

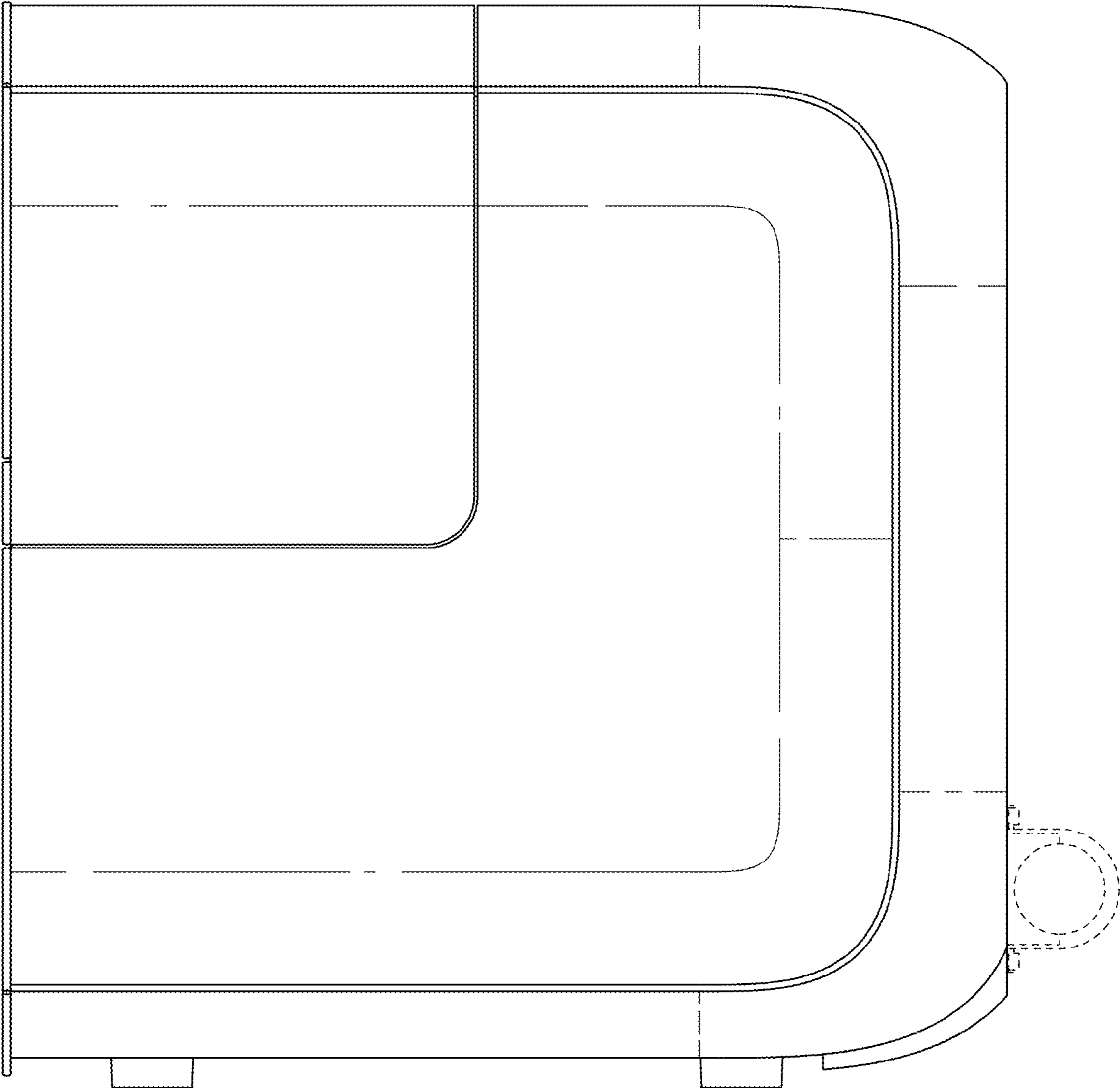


FIG. 4

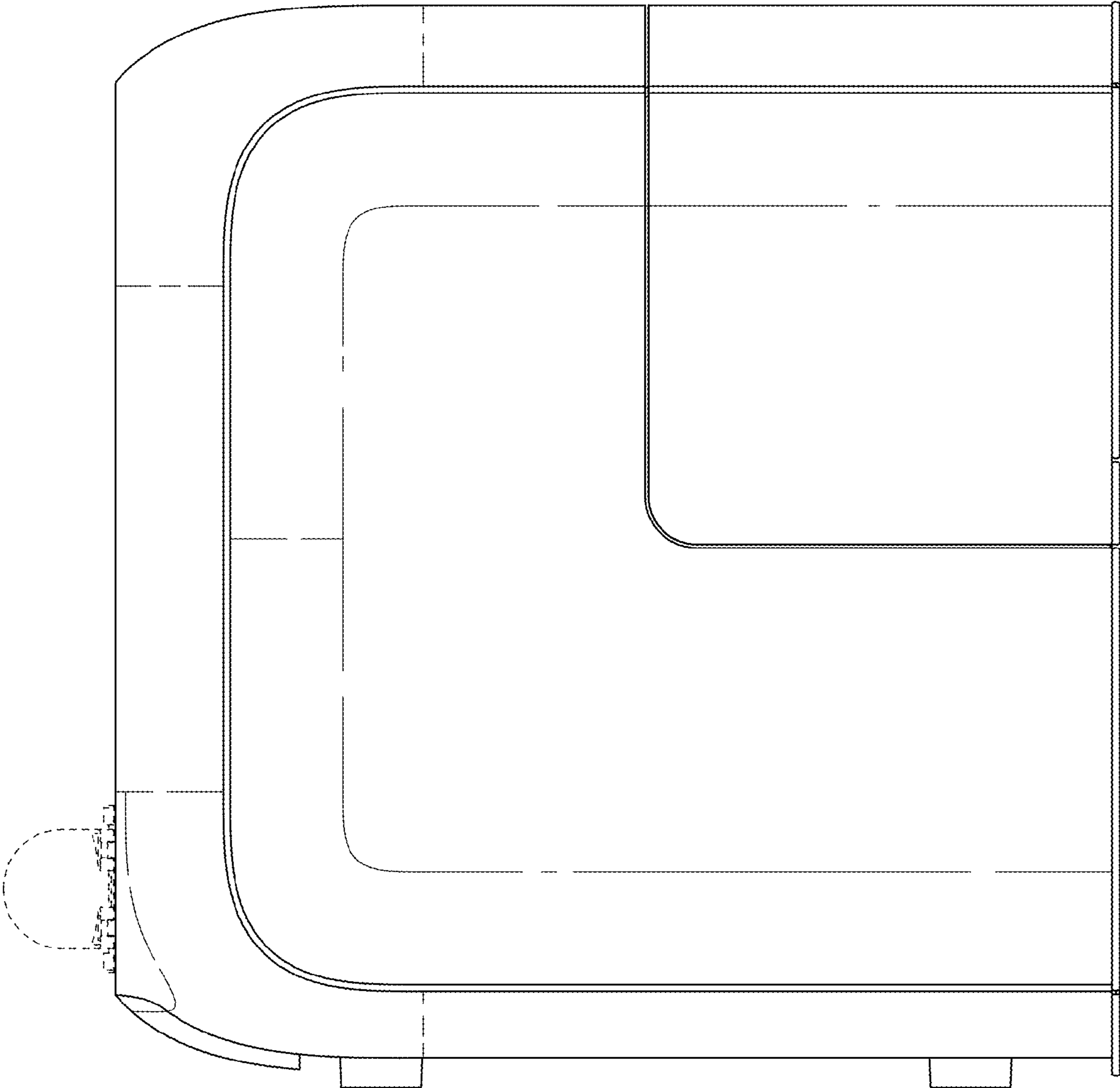


FIG. 5

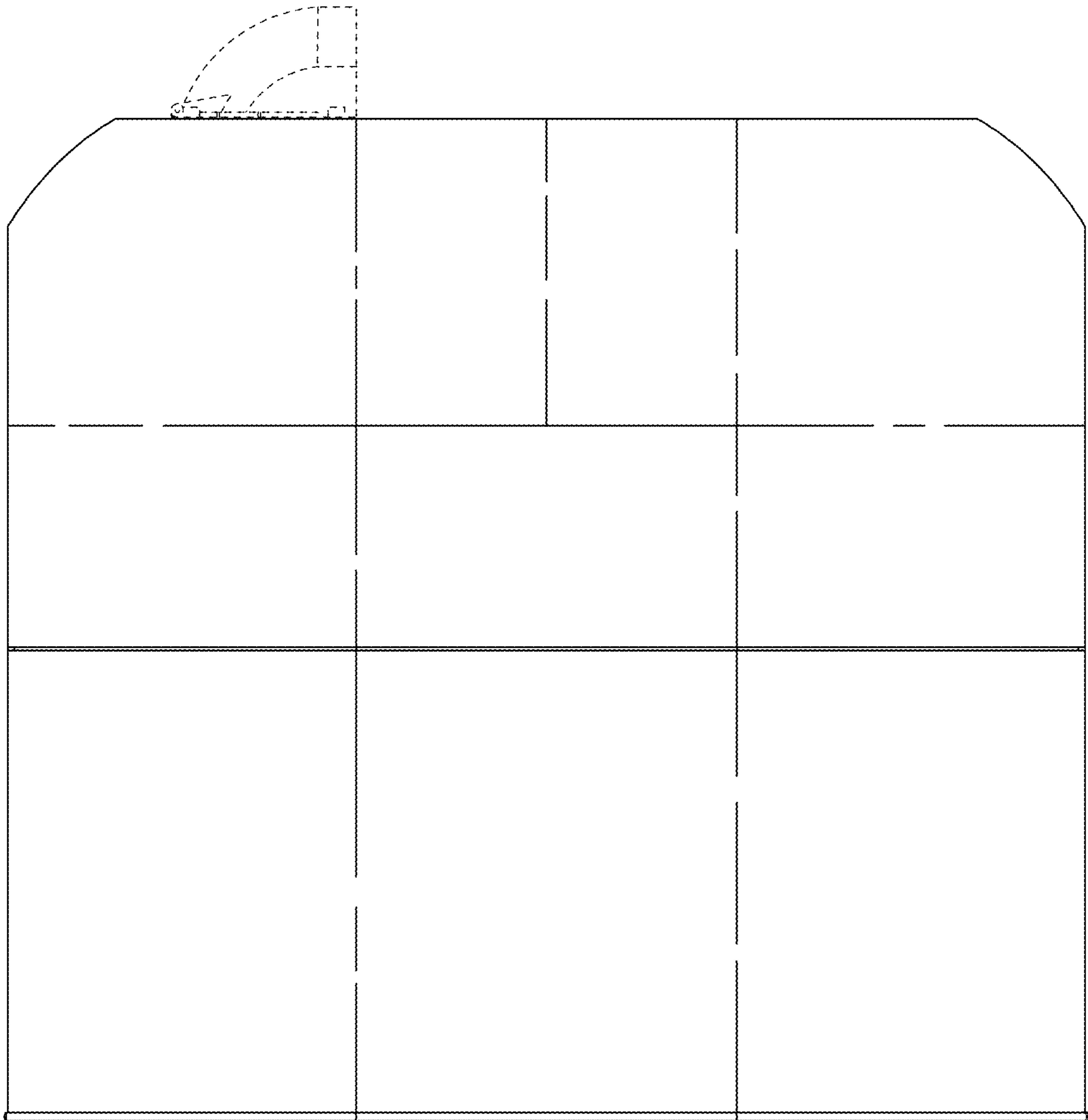


FIG. 6

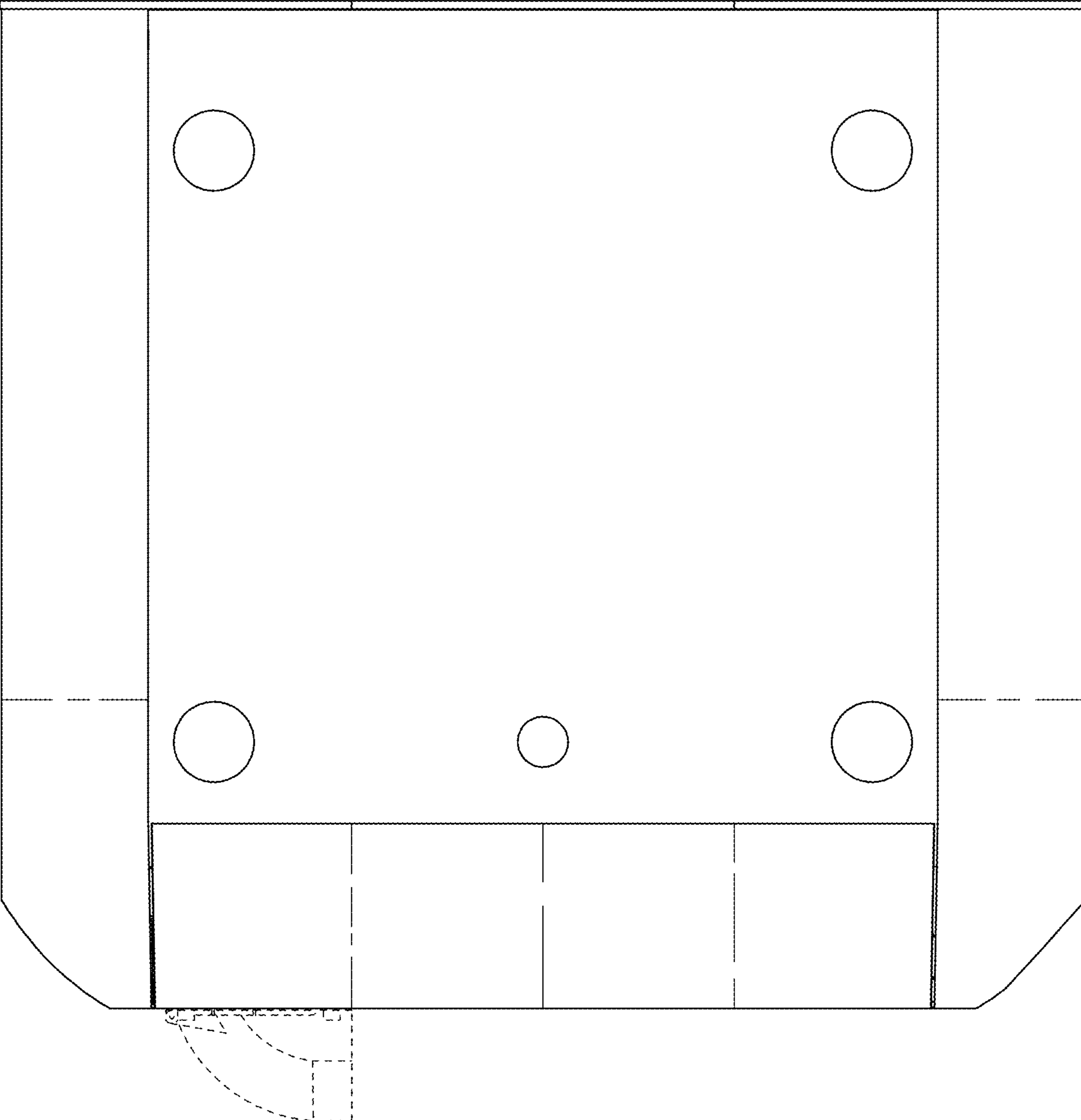


FIG. 7

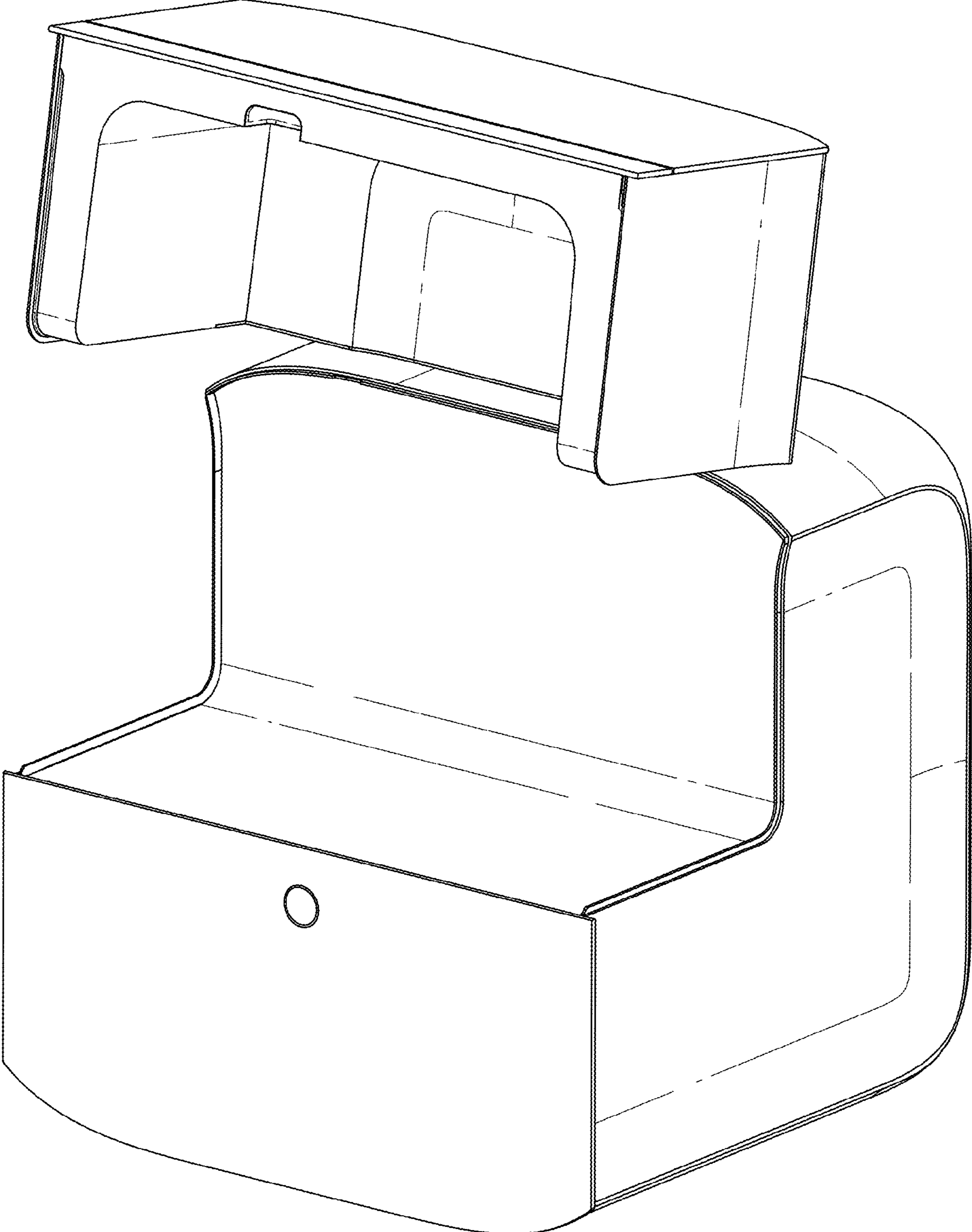


FIG. 8