



US00D964591S

(12) **United States Design Patent** (10) **Patent No.:** **US D964,591 S**
Cain (45) **Date of Patent:** **** Sep. 20, 2022**

(54) **CULTURE PLATE READER**

(71) Applicant: **3M INNOVATIVE PROPERTIES COMPANY**, St. Paul, MN (US)

(72) Inventor: **John W. Cain**, River Falls, WI (US)

(73) Assignee: **3M INNOVATIVE PROPERTIES COMPANY**, St. Paul, MN (US)

(**) Term: **15 Years**

(21) Appl. No.: **29/735,986**

(22) Filed: **May 27, 2020**

(51) **LOC (13) Cl.** **24-02**

(52) **U.S. Cl.**
USPC **D24/224**

(58) **Field of Classification Search**
USPC D24/121, 122, 129, 216, 222–228, 231;
D9/443, 448, 449, 452, 453, 520, 521,
D9/531, 557–560; D3/203.1–203.3,
D3/203.6, 205, 206, 226, 228; D28/73,
D28/76
CPC .. C12M 23/12; A01N 1/0268; B29C 45/1671;
B01L 9/06; B65D 1/34; B65D 1/36
See application file for complete search history.

(56) **References Cited**

U.S. PATENT DOCUMENTS

D158,107 S *	4/1950	Lidholm	D7/612
D218,399 S *	8/1970	Campbell	D9/504
D233,981 S *	12/1974	Watt	D9/560
D257,764 S *	1/1981	Tajima	D9/560
D277,364 S *	1/1985	Nightingale, III	D9/560
D280,709 S *	9/1985	Waring	D24/117
D534,658 S *	1/2007	Bargh	D24/229
D658,306 S *	4/2012	Gevaert	D24/216
D793,860 S *	8/2017	Keller	D9/431
D821,603 S *	6/2018	Tanner	D24/224
D823,104 S *	7/2018	Shirley	D9/432
D852,046 S *	6/2019	Keller	D28/89

OTHER PUBLICATIONS

3M Petrifilm Plate Reader Advanced Automation Technology. Online, published date Jan. 20, 2021. Retrieved on May 8, 2022 from URL: <https://www.food-safety.com/articles/6933-m-petrifilm-plate-reader-advanced-automation-technology>.*

* cited by examiner

Primary Examiner — Omeed Agilee

(74) *Attorney, Agent, or Firm* — Sandra K. Nowak

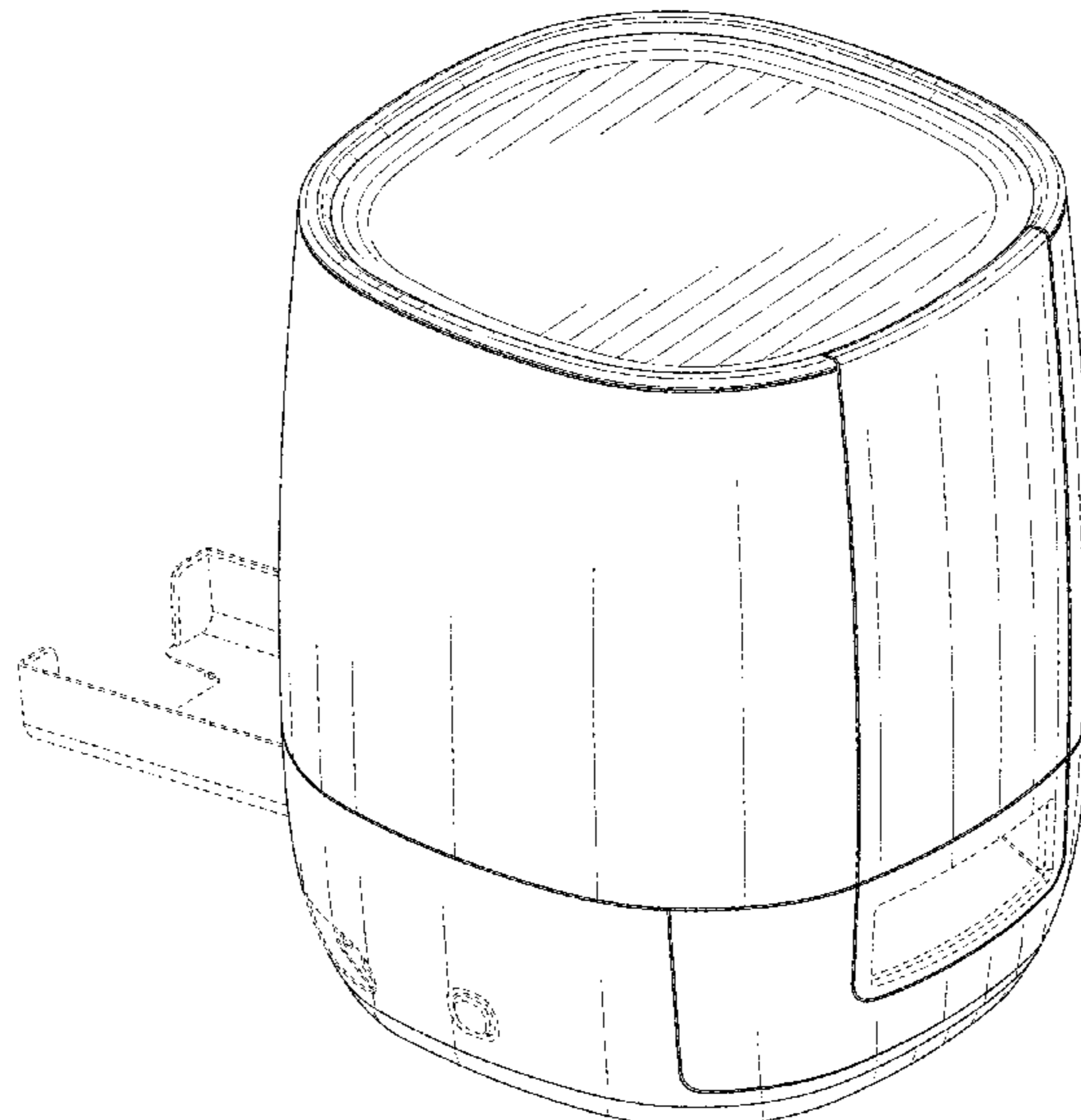
(57) **CLAIM**

The ornamental design for a culture plate reader, as shown and described.

DESCRIPTION

FIG. 1 is a front, right, and top perspective view of a culture plate reader showing the tray in an open configuration; FIG. 2 is a front view thereof; FIG. 3 is a rear view thereof; FIG. 4 is a right-side view thereof; FIG. 5 is a left-side view thereof; FIG. 6 is a top view thereof; FIG. 7 is a bottom view thereof; FIG. 8 is a front, right, and top perspective view of the culture plate reader showing the tray in a closed configuration; FIG. 9 is a front view thereof; FIG. 10 is a rear view thereof; FIG. 11 is a right-side view thereof; FIG. 12 is a left-side view thereof; FIG. 13 is a top view thereof; and, FIG. 14 is a bottom view thereof. The broken lines in the drawings depict portions of the culture plate reader that form no part of the claimed design.

1 Claim, 14 Drawing Sheets



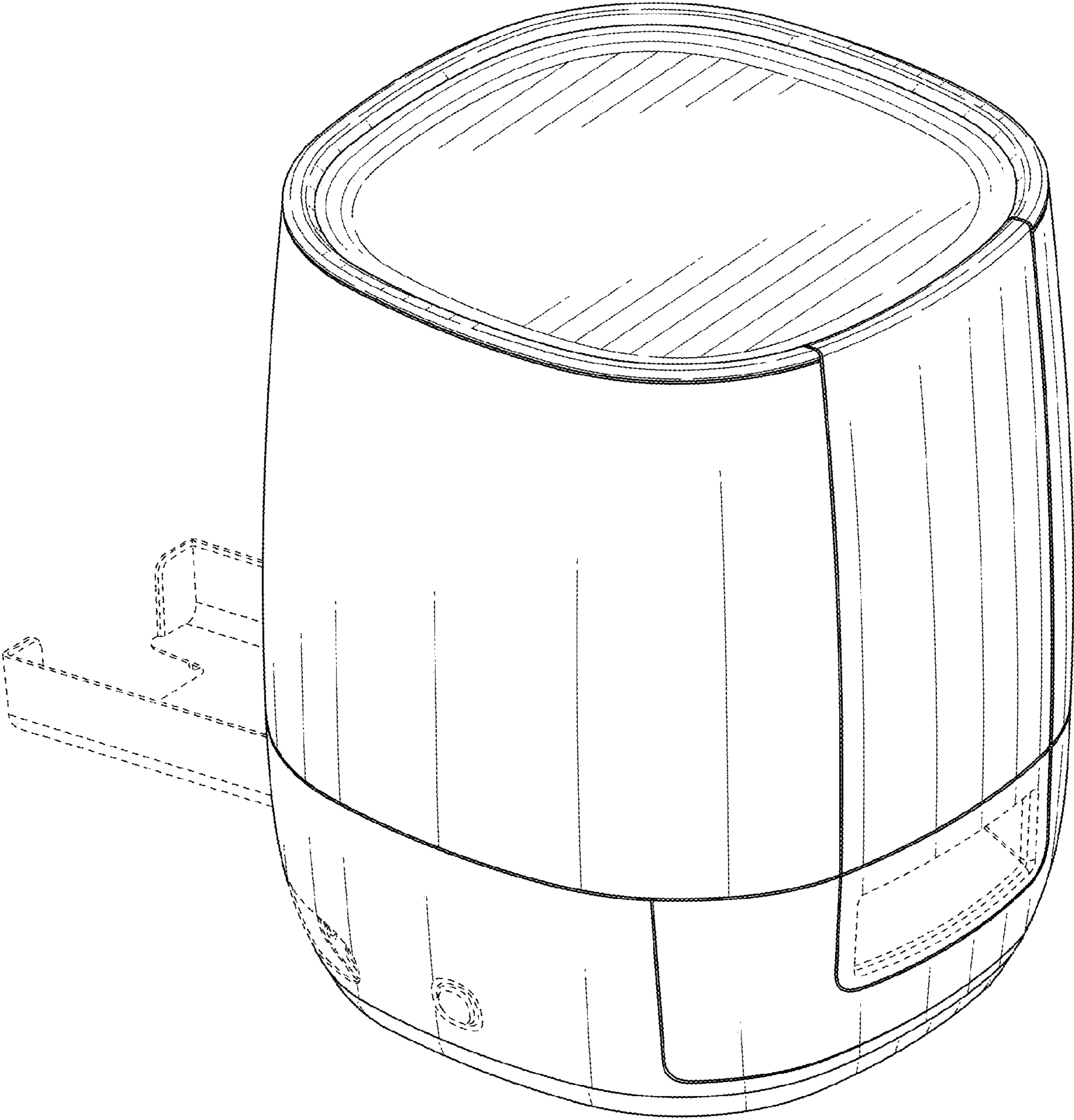


FIG. 1

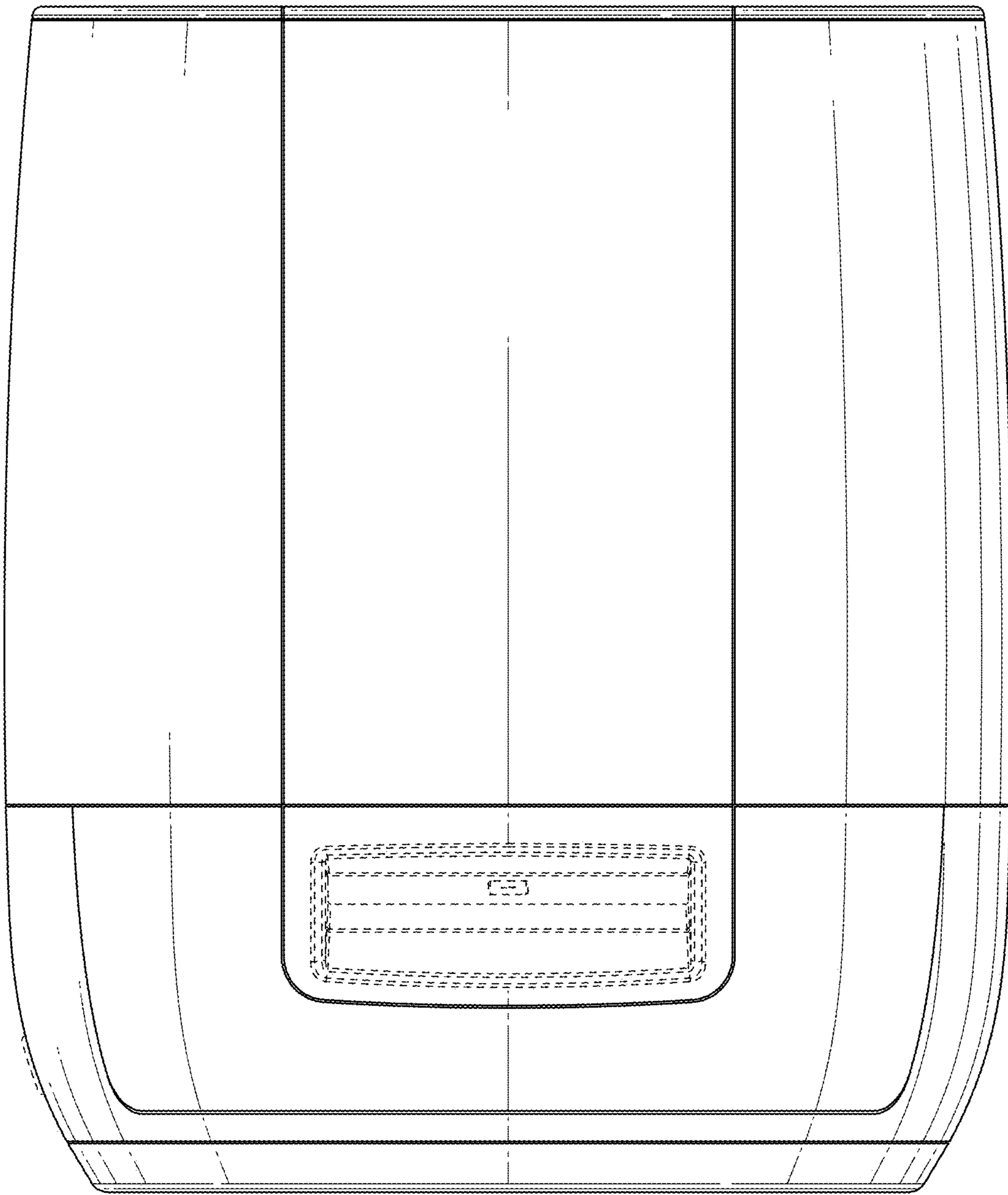


FIG. 2

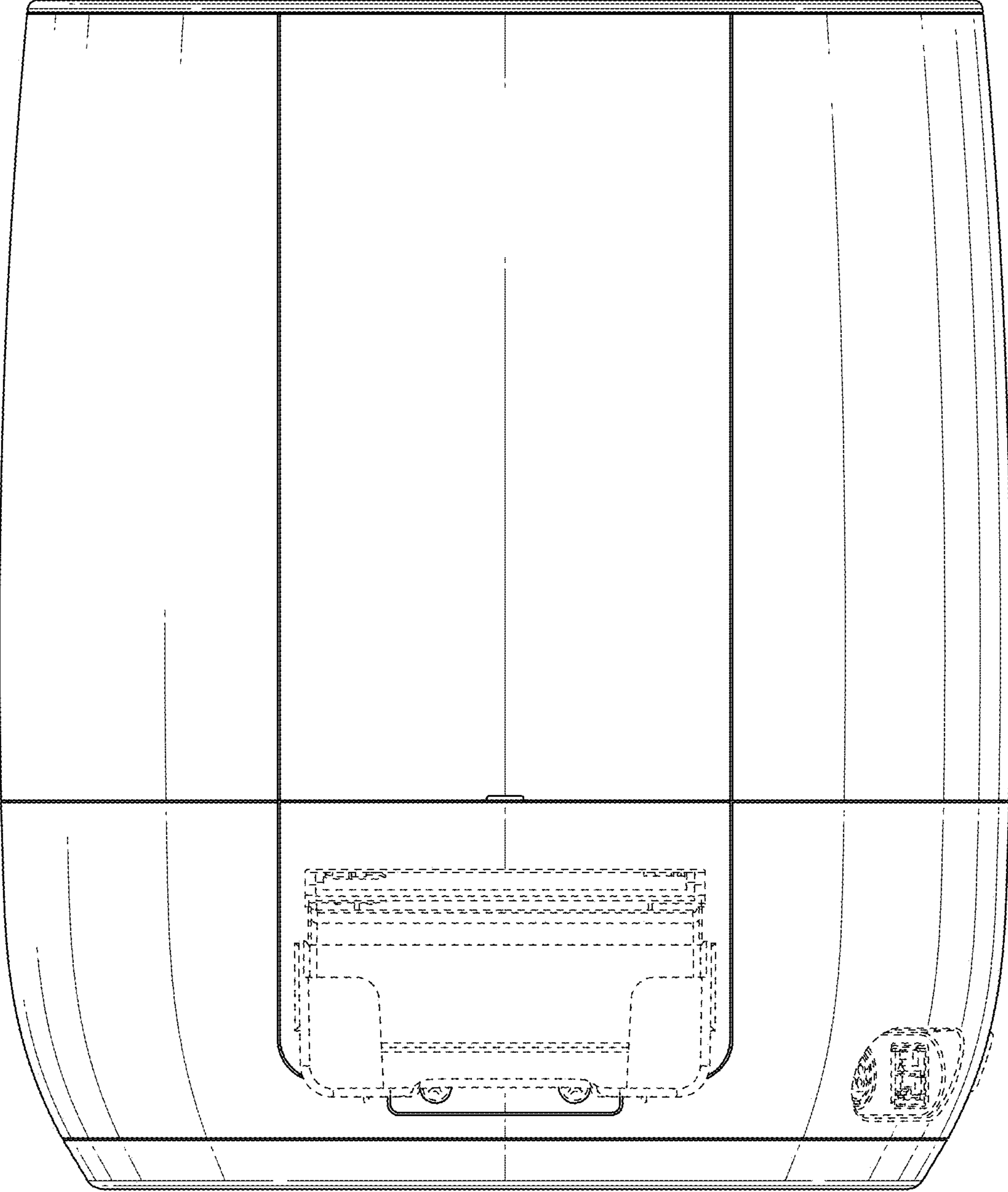


FIG. 3

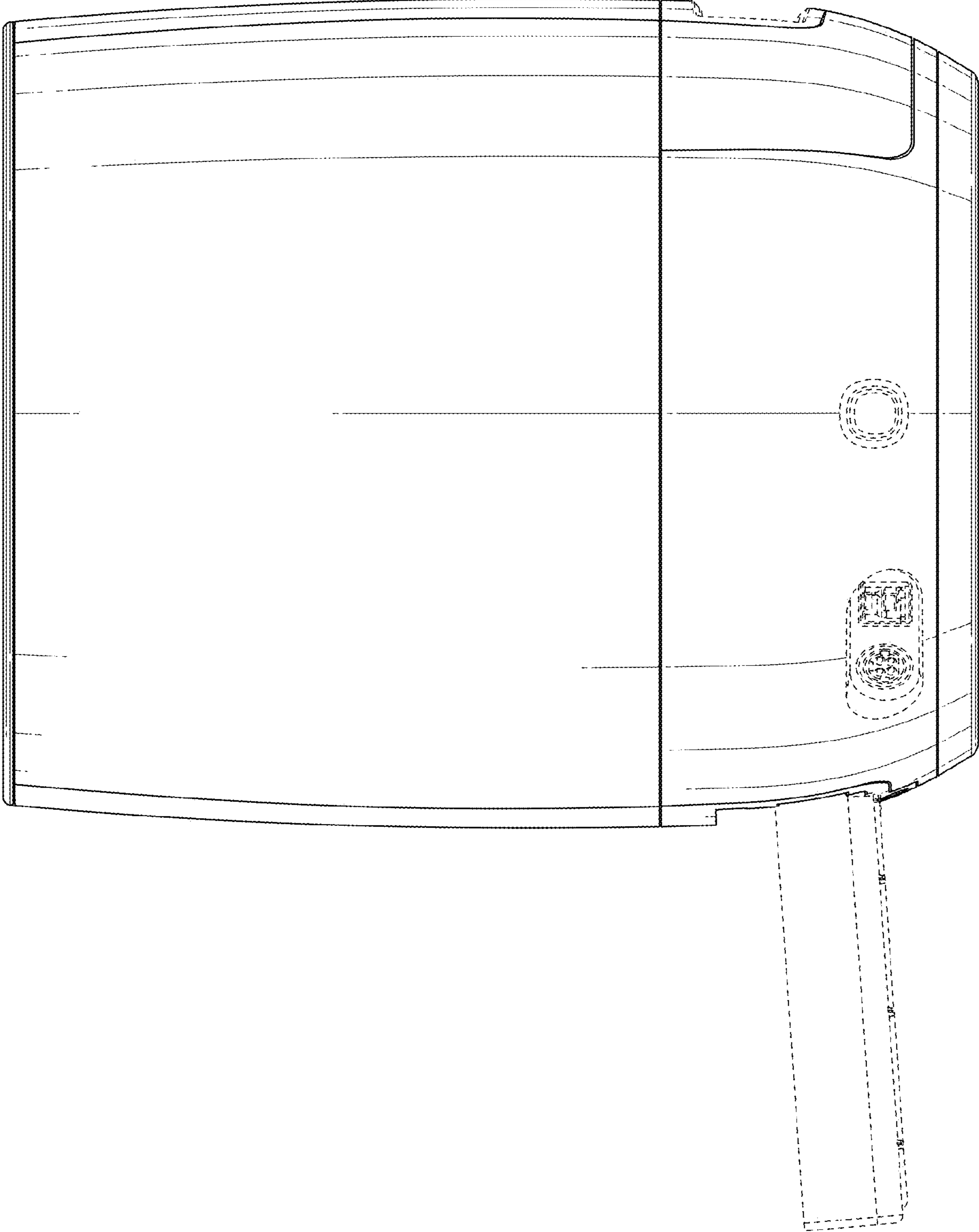


FIG. 4

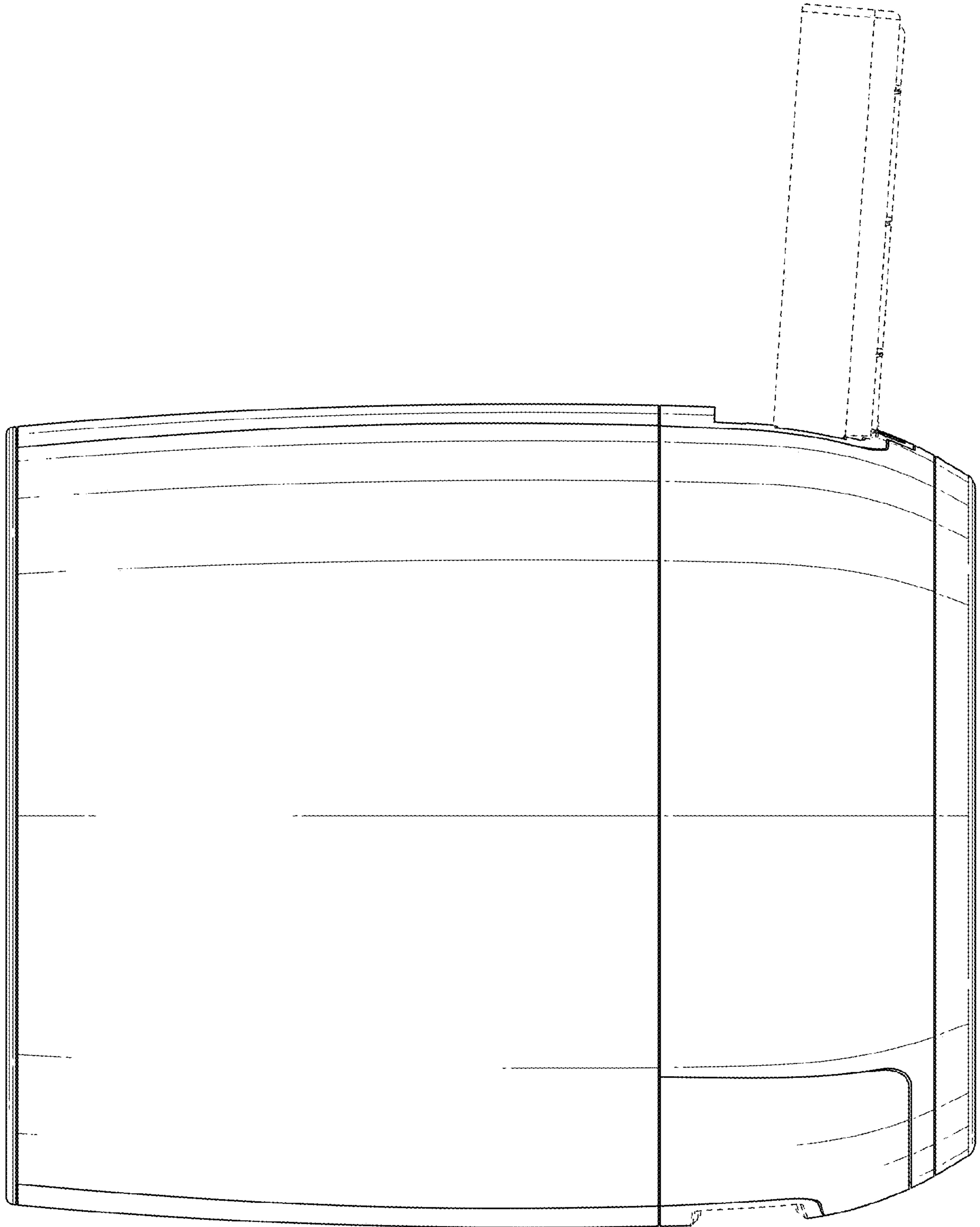


FIG. 5

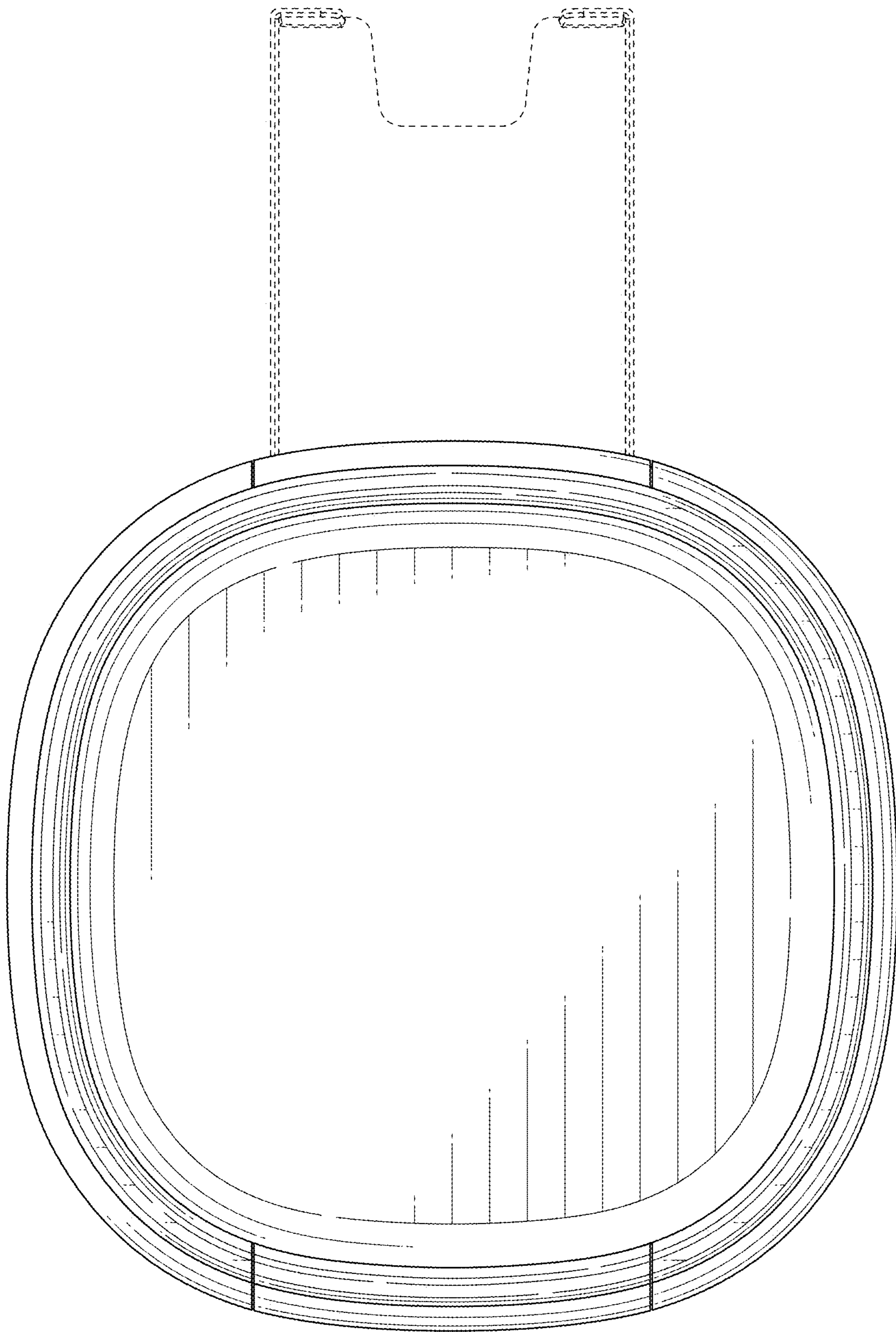


FIG. 6

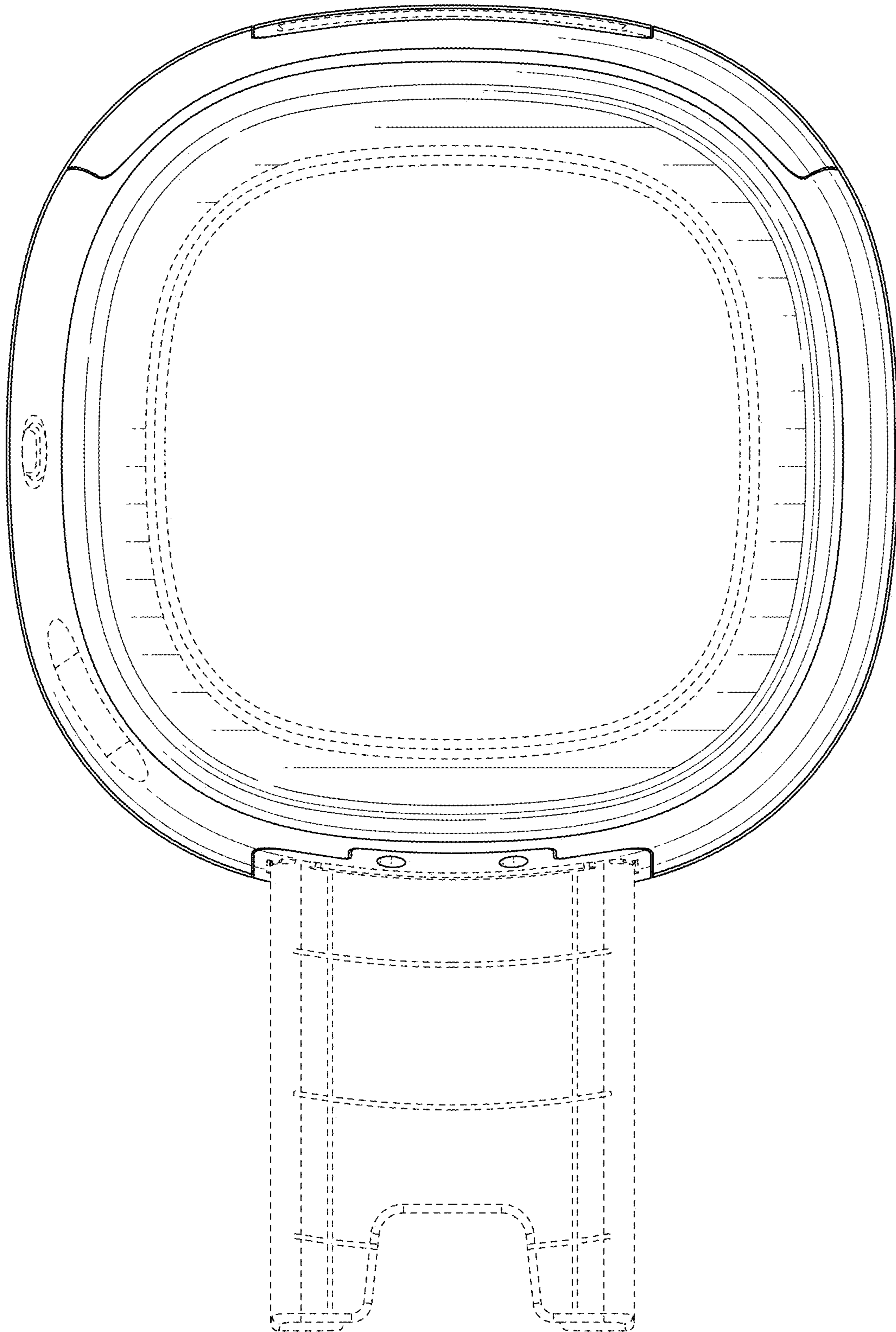


FIG. 7

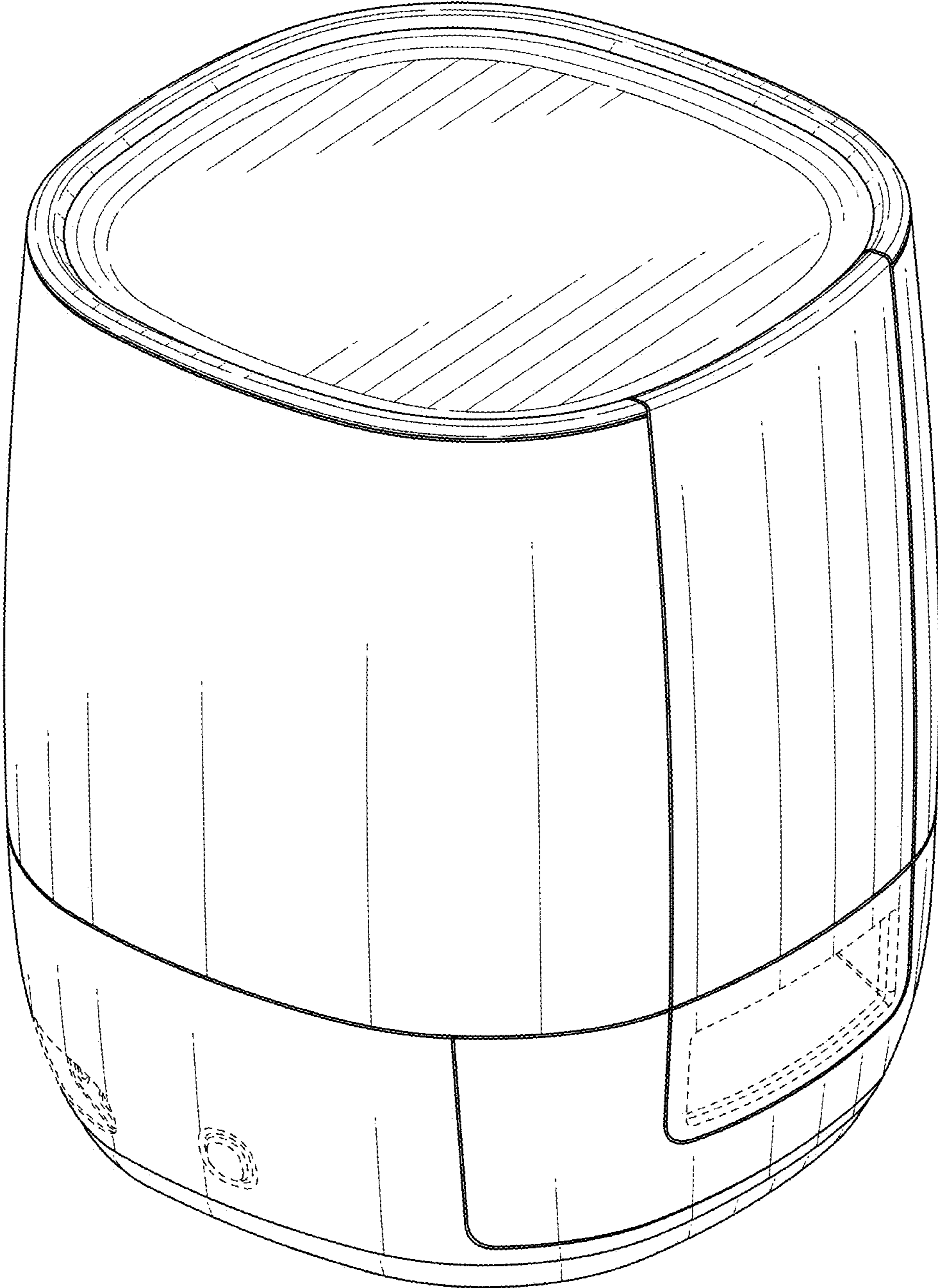


FIG. 8

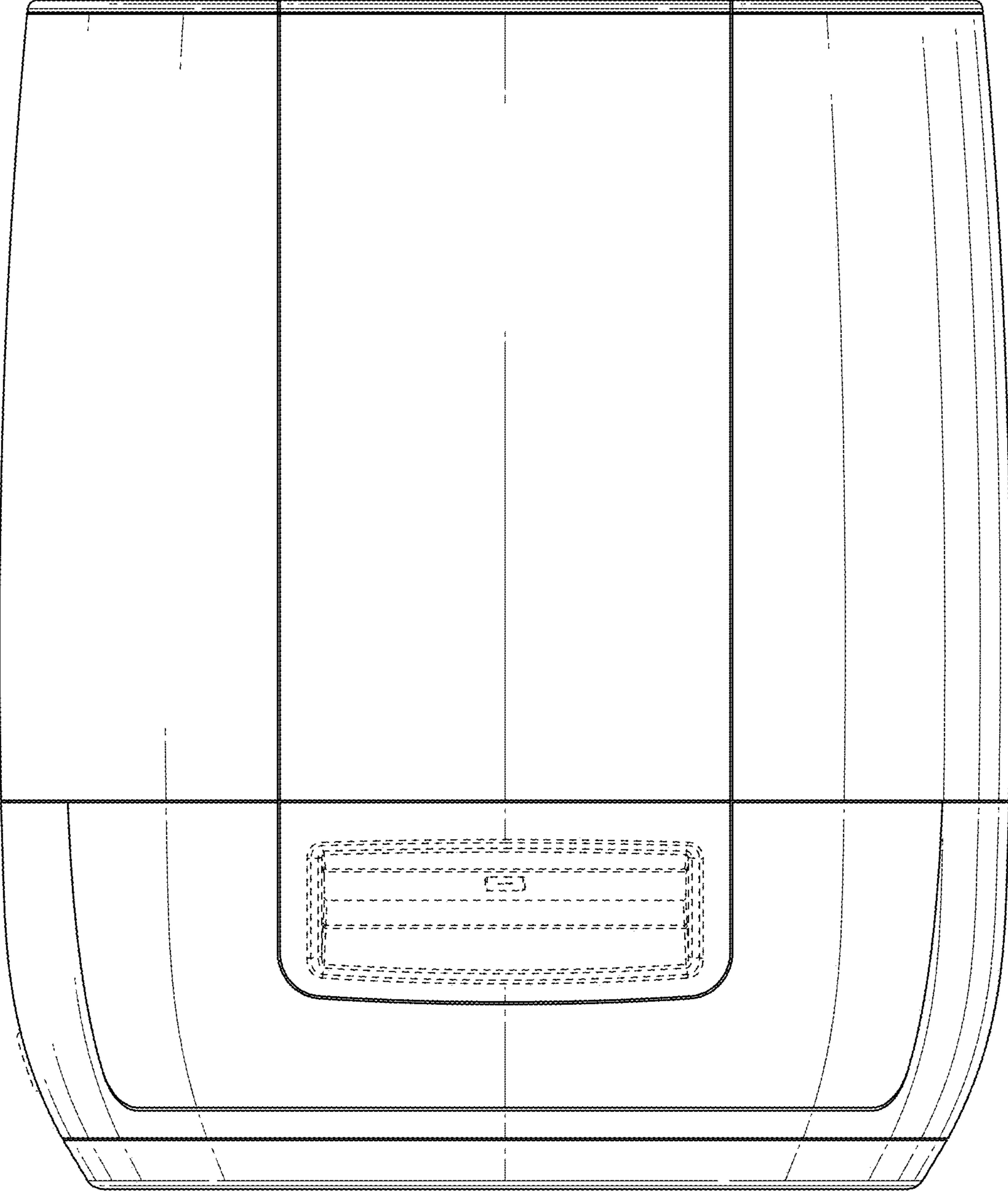


FIG. 9

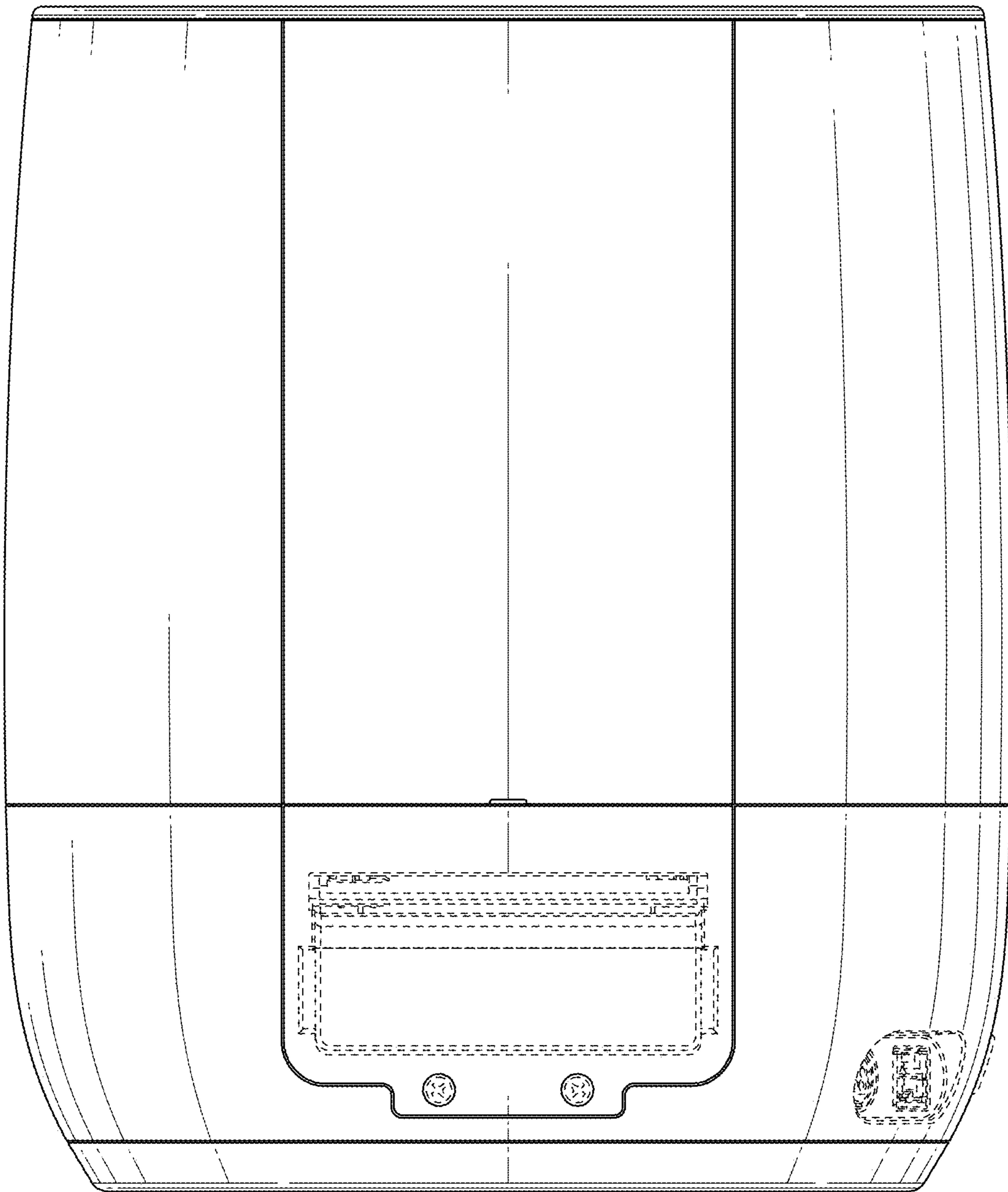


FIG. 10

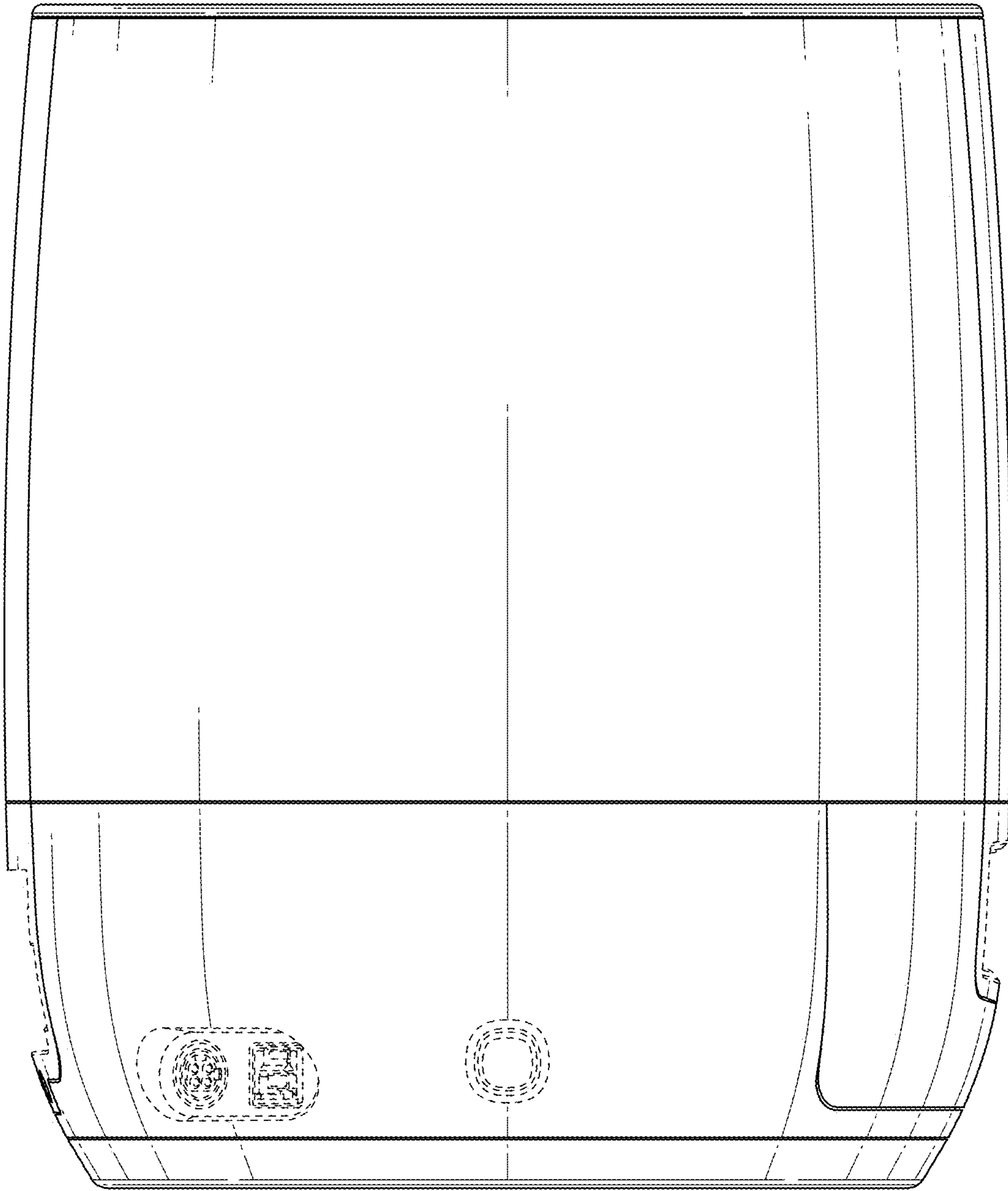


FIG. 11

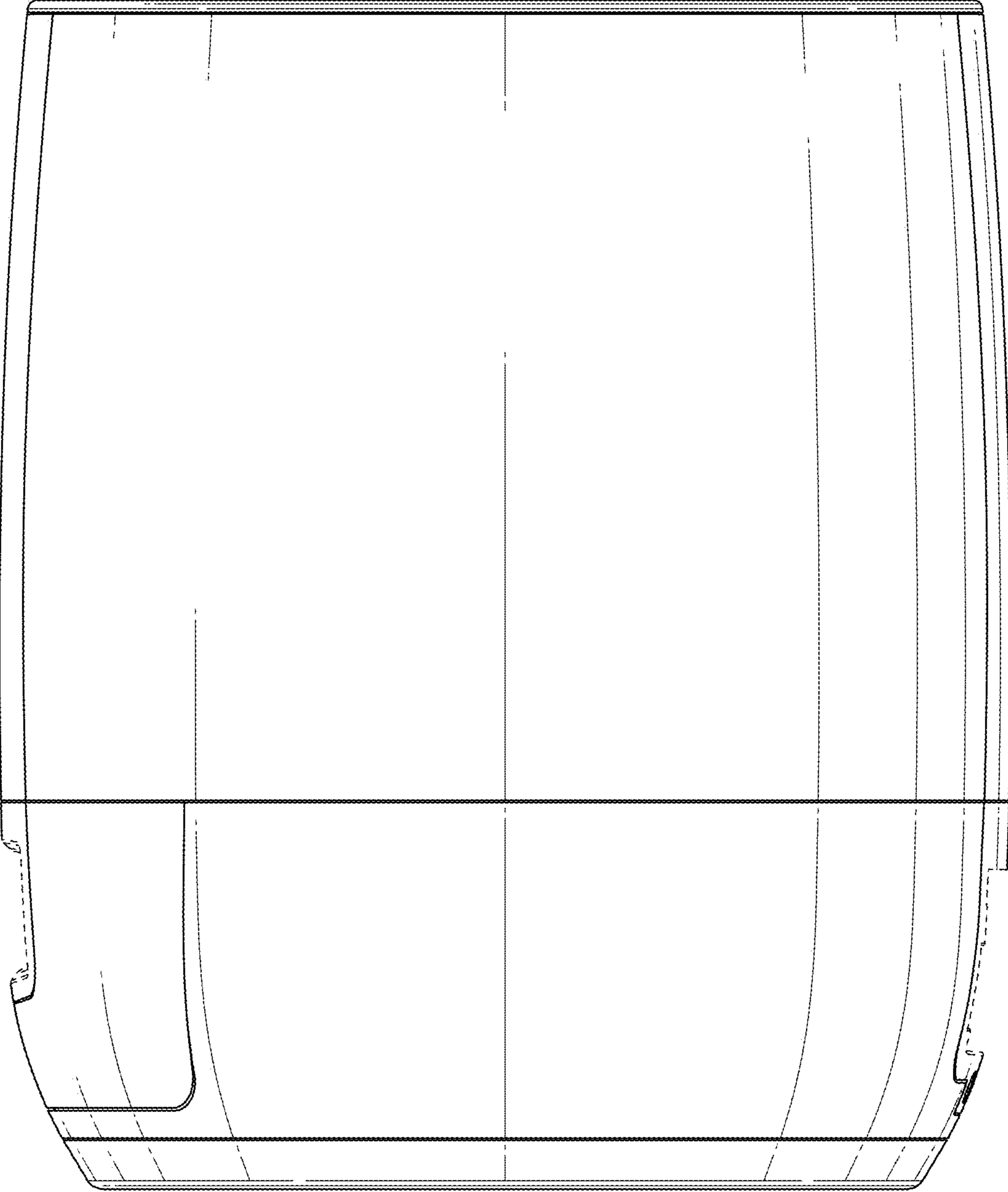


FIG. 12

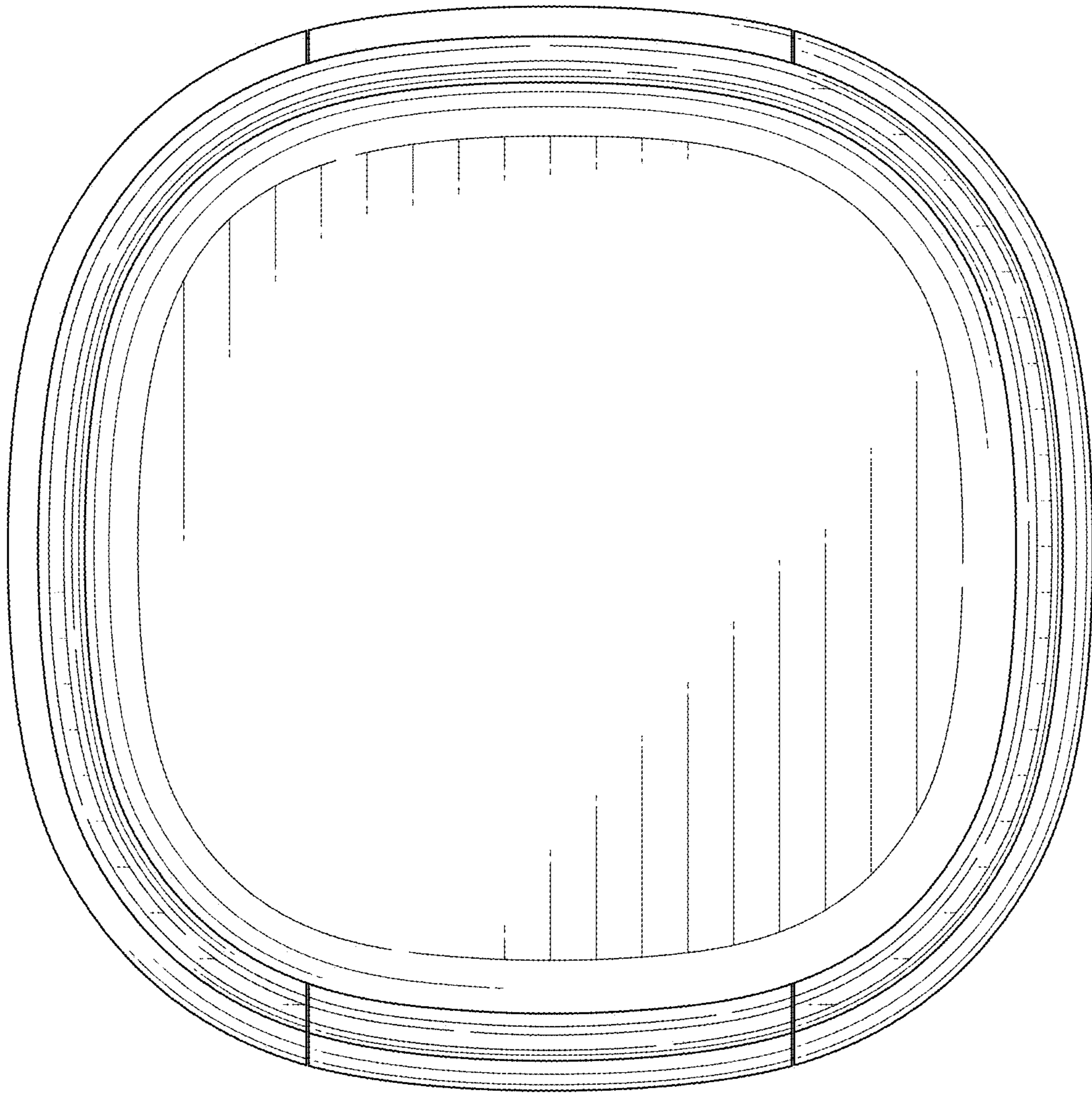


FIG. 13

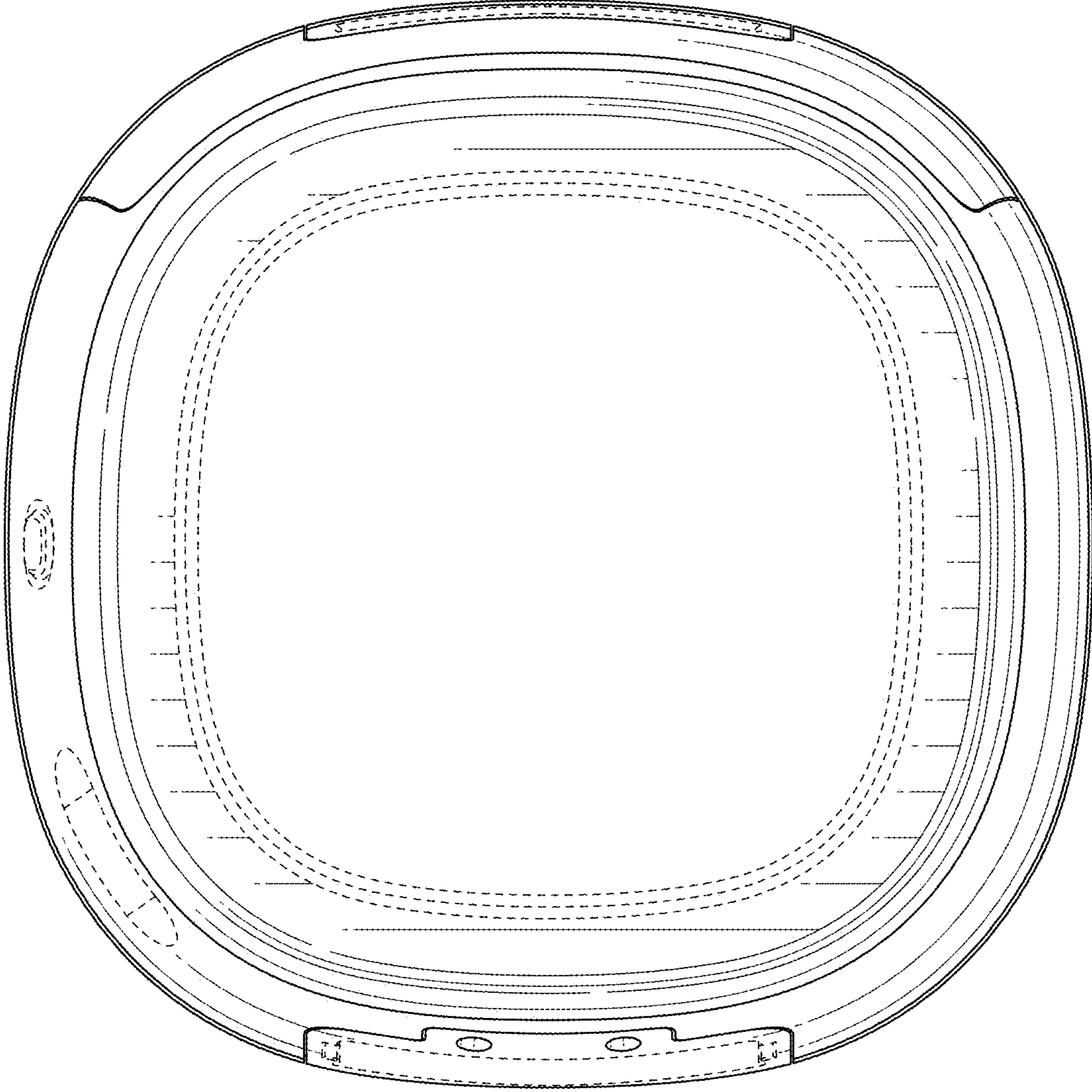


FIG. 14