



US00D964590S

(12) **United States Design Patent** (10) **Patent No.:** **US D964,590 S**  
**Tanaka** (45) **Date of Patent:** **\*\* Sep. 20, 2022**

(54) **FECAL OCCULT BLOOD ANALYZER**

(71) Applicant: **FUJIFILM Corporation**, Tokyo (JP)

(72) Inventor: **Kunihiko Tanaka**, Ashigarakami-gun (JP)

(73) Assignee: **FUJIFILM Corporation**, Tokyo (JP)

(\*\*) Term: **15 Years**

(21) Appl. No.: **29/768,081**

(22) Filed: **Jan. 27, 2021**

(30) **Foreign Application Priority Data**

Jul. 30, 2020 (JP) ..... 2020-015921 D  
Jul. 30, 2020 (JP) ..... 2020-015922 D

(51) **LOC (13) Cl.** ..... **24-01**

(52) **U.S. Cl.**  
USPC ..... **D24/216**

(58) **Field of Classification Search**  
USPC ..... D24/107, 185, 186, 216, 219, 231–234;  
D10/81  
CPC ..... G01N 2035/00306; G01N 2035/00326;  
G01N 2035/00336; G01N 2030/027;  
G01N 21/76; G01N 2035/00039; G01N  
2035/00049; G01N 35/00029  
See application file for complete search history.

(56) **References Cited**

**U.S. PATENT DOCUMENTS**

D554,551 S \* 11/2007 Ouchi ..... D24/232  
D657,067 S \* 4/2012 Shibata ..... D24/216  
D671,227 S \* 11/2012 Parker ..... D24/216  
D705,437 S \* 5/2014 Chamberlin ..... D24/216  
9,322,783 B2 \* 4/2016 Clinton ..... G01N 21/6452  
D761,439 S \* 7/2016 Ruiz Robles ..... D24/232

D810,316 S \* 2/2018 Hoelbl ..... D24/232  
D921,222 S \* 6/2021 Osborne ..... D24/232  
2015/0040648 A1 \* 2/2015 Matsubara ..... G01N 30/34  
73/61.56  
2016/0061714 A1 \* 3/2016 Matsuura ..... G01N 35/04  
422/65

**FOREIGN PATENT DOCUMENTS**

CN 201830542612.2 \* 4/2019  
EM 004395788-0002 \* 4/2018

\* cited by examiner

*Primary Examiner* — Anhdao Doan

(74) *Attorney, Agent, or Firm* — Sughrue Mion, PLLC

(57) **CLAIM**

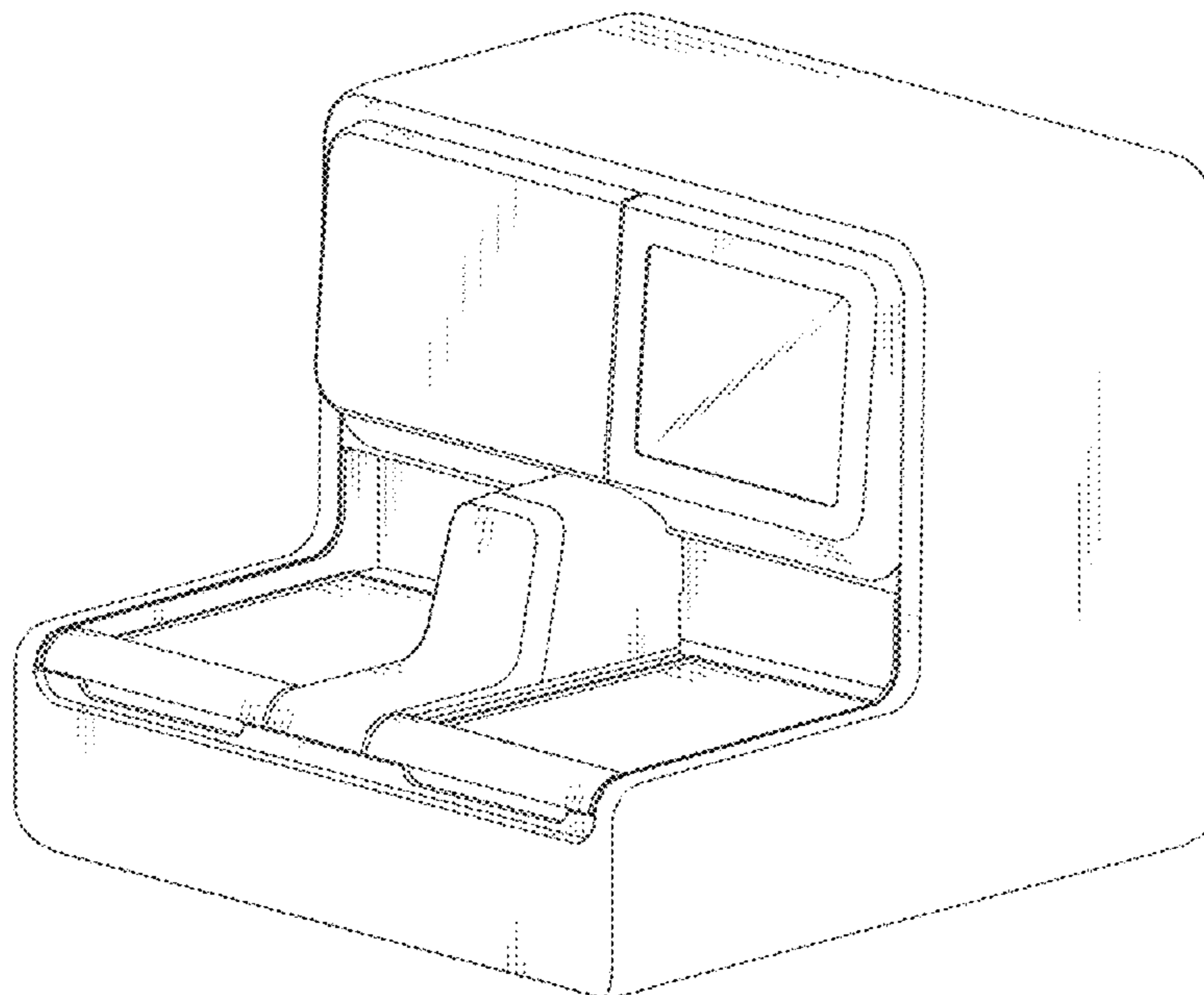
The ornamental design for a fecal occult blood analyzer, as shown and described.

**DESCRIPTION**

FIG. 1 is a perspective view of a first embodiment of a fecal occult blood analyzer, showing the new design;  
FIG. 2 is a front view thereof;  
FIG. 3 is a rear view thereof;  
FIG. 4 is a right side view thereof;  
FIG. 5 is a left side view thereof;  
FIG. 6 is a top view thereof;  
FIG. 7 is a bottom view thereof;  
FIG. 8 is a perspective view of a second embodiment of a fecal occult blood analyzer, showing the new design;  
FIG. 9 is a front view thereof;  
FIG. 10 is a rear view thereof;  
FIG. 11 is a right side view thereof;  
FIG. 12 is a left side view thereof;  
FIG. 13 is a top view thereof; and,  
FIG. 14 is a bottom view thereof.

The non-colored portion of the second embodiment is white.

**1 Claim, 14 Drawing Sheets**



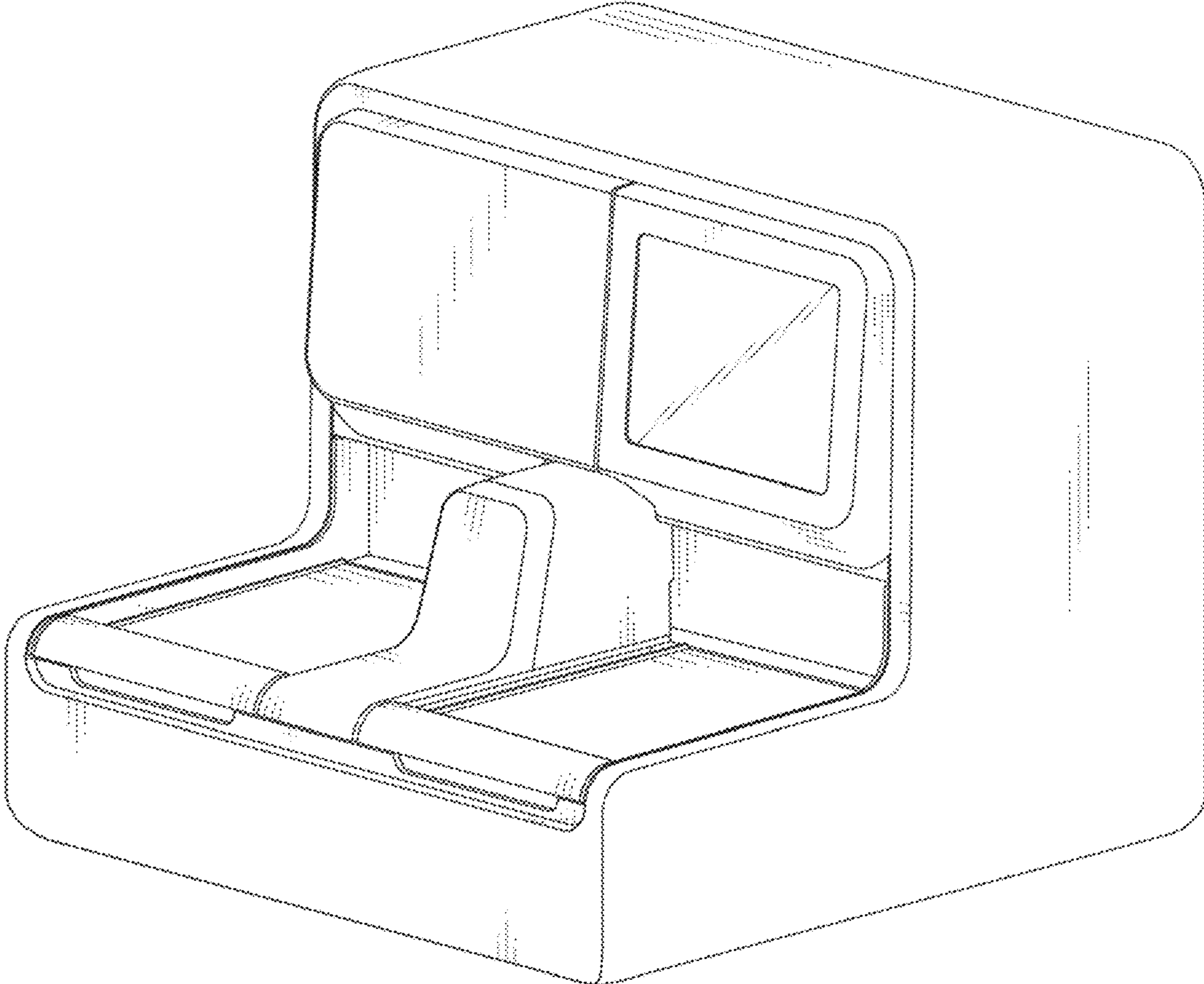


FIG. 1

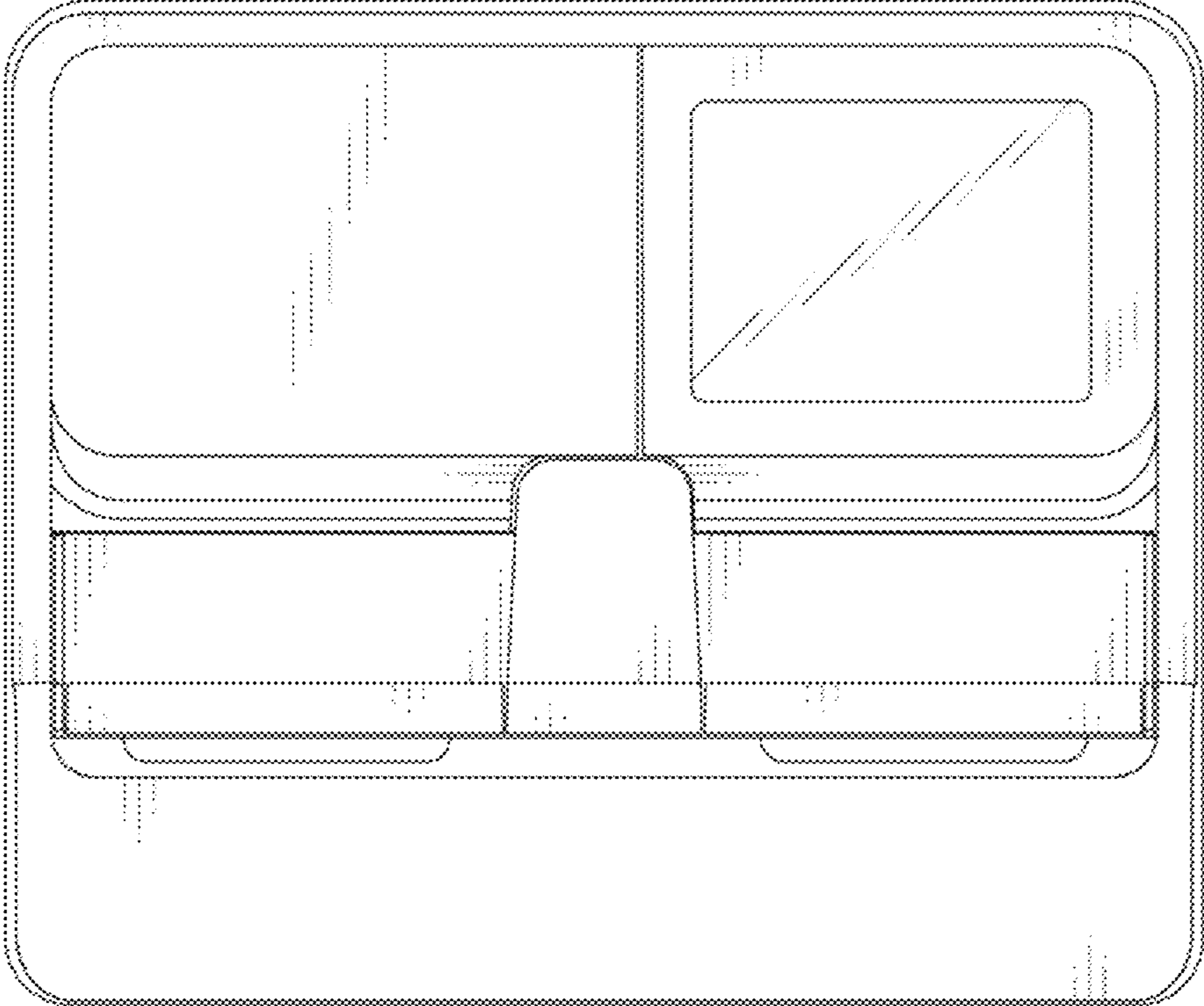


FIG. 2

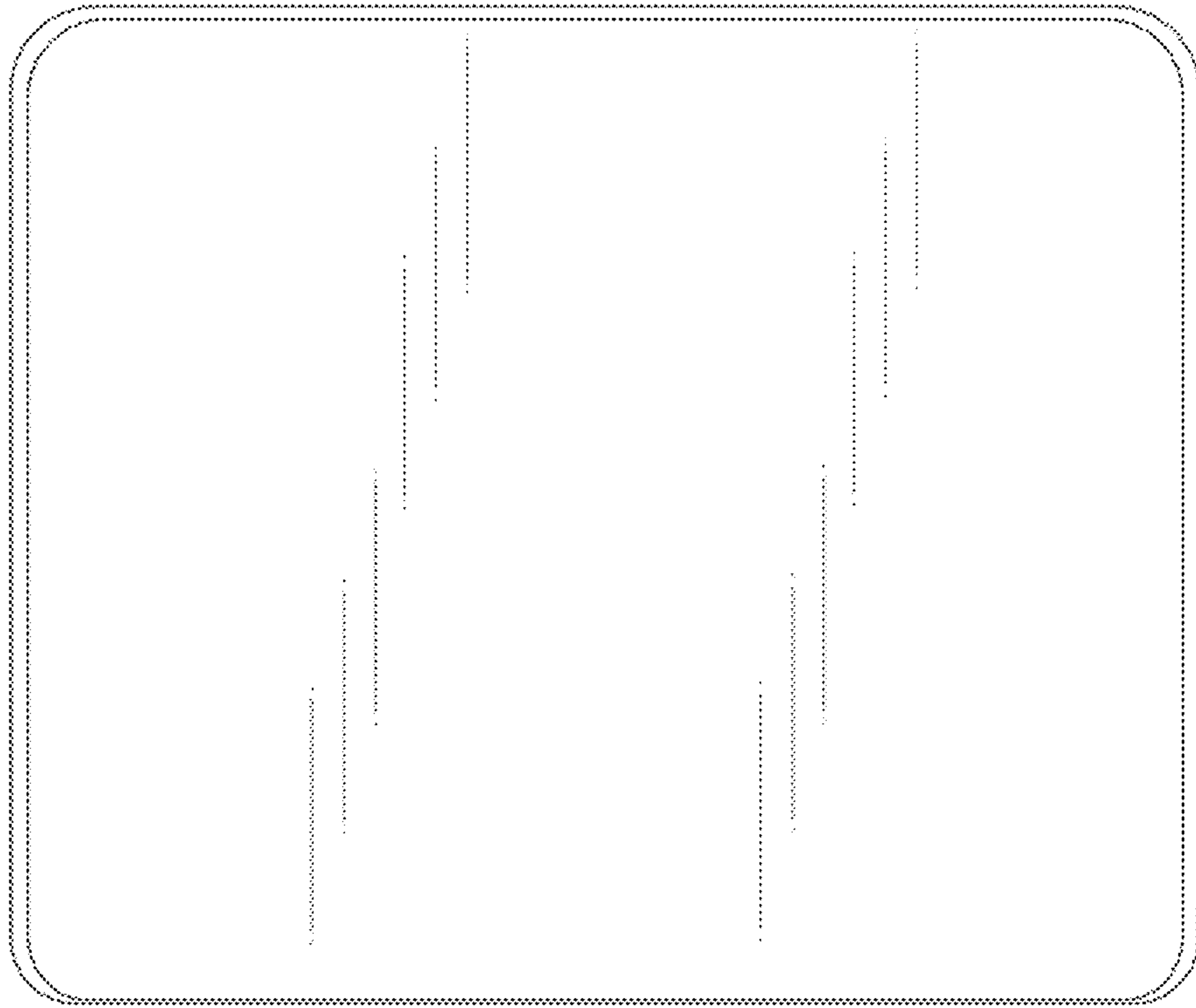


FIG. 3

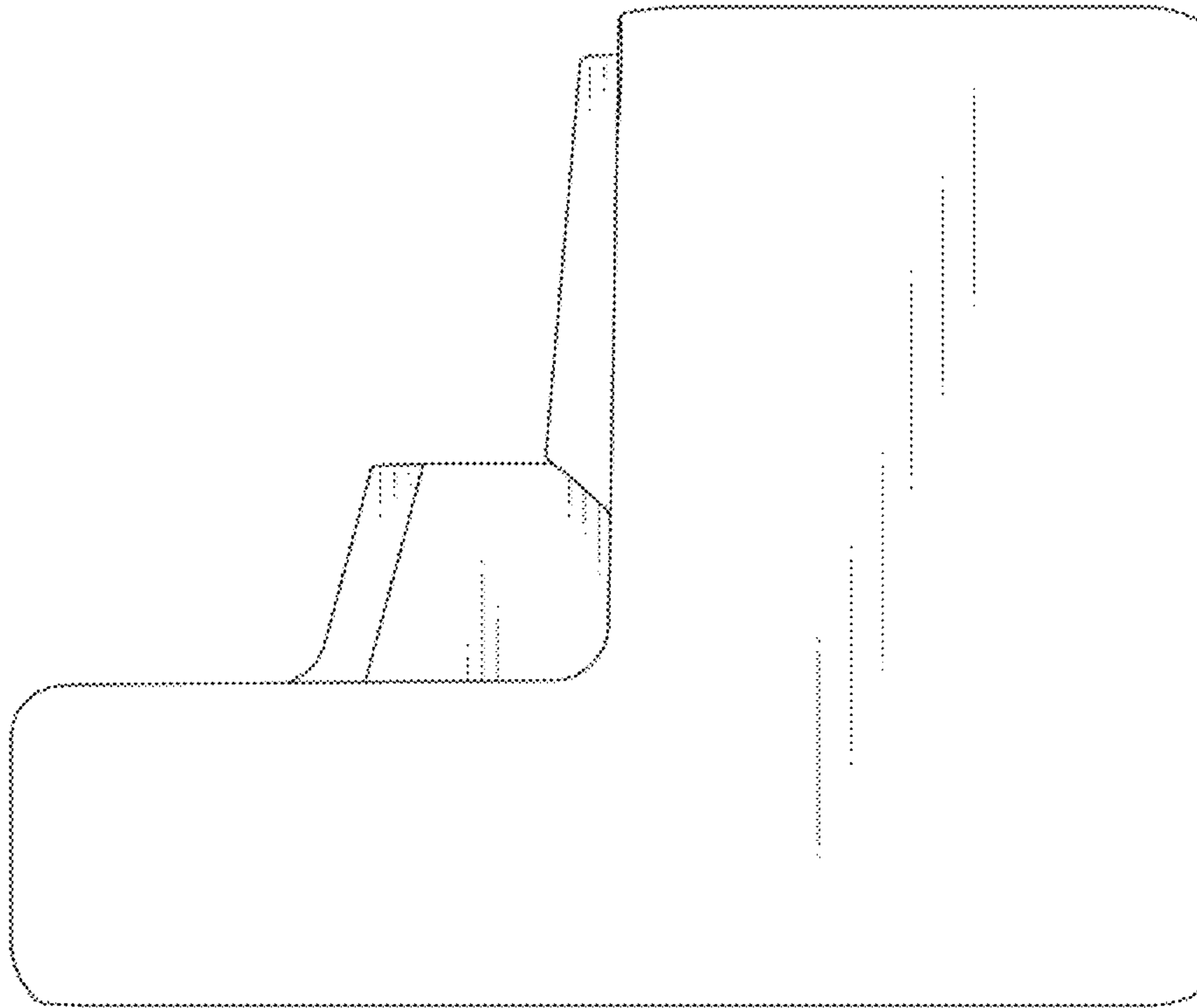


FIG. 4

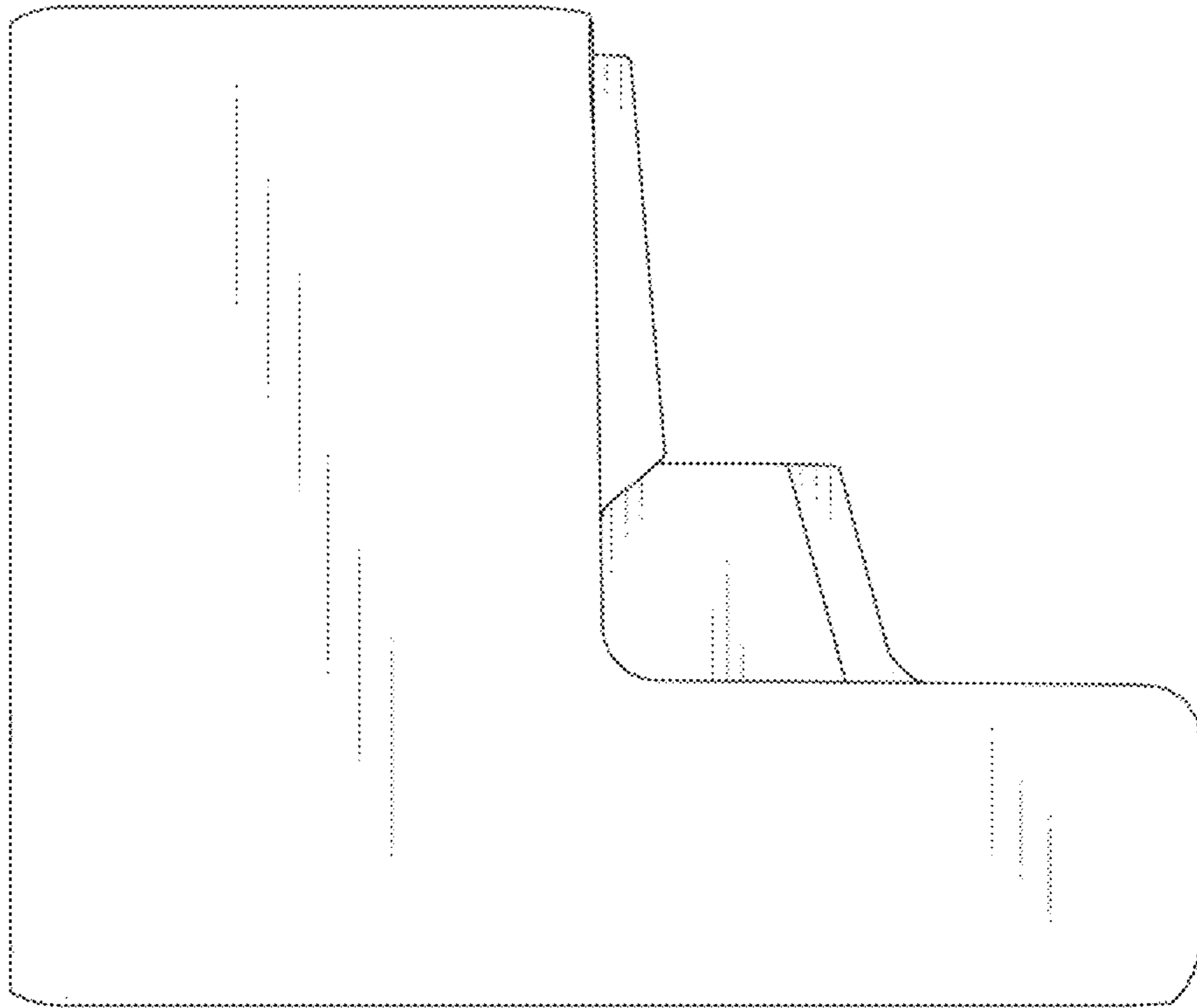


FIG. 5

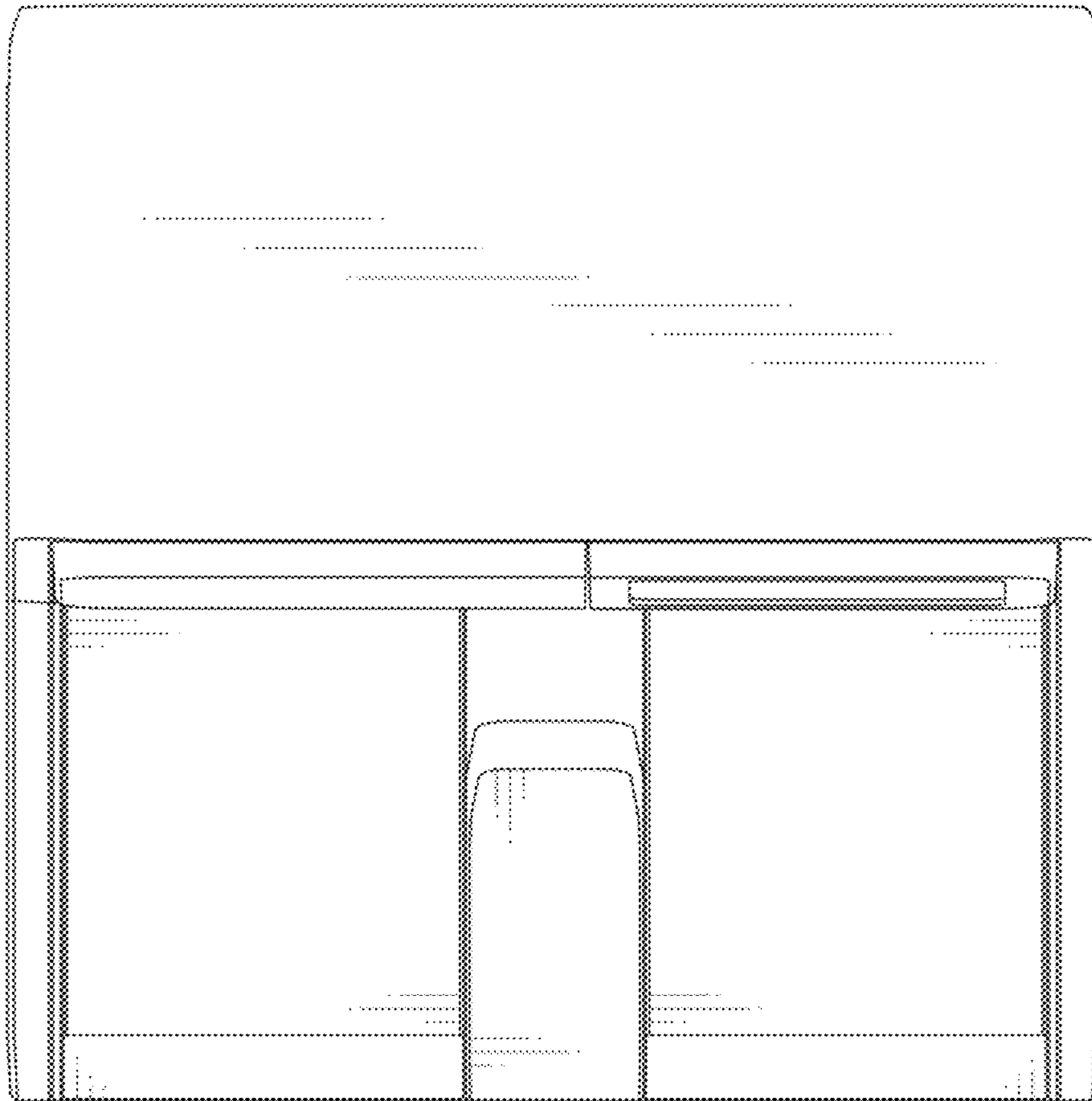


FIG. 6

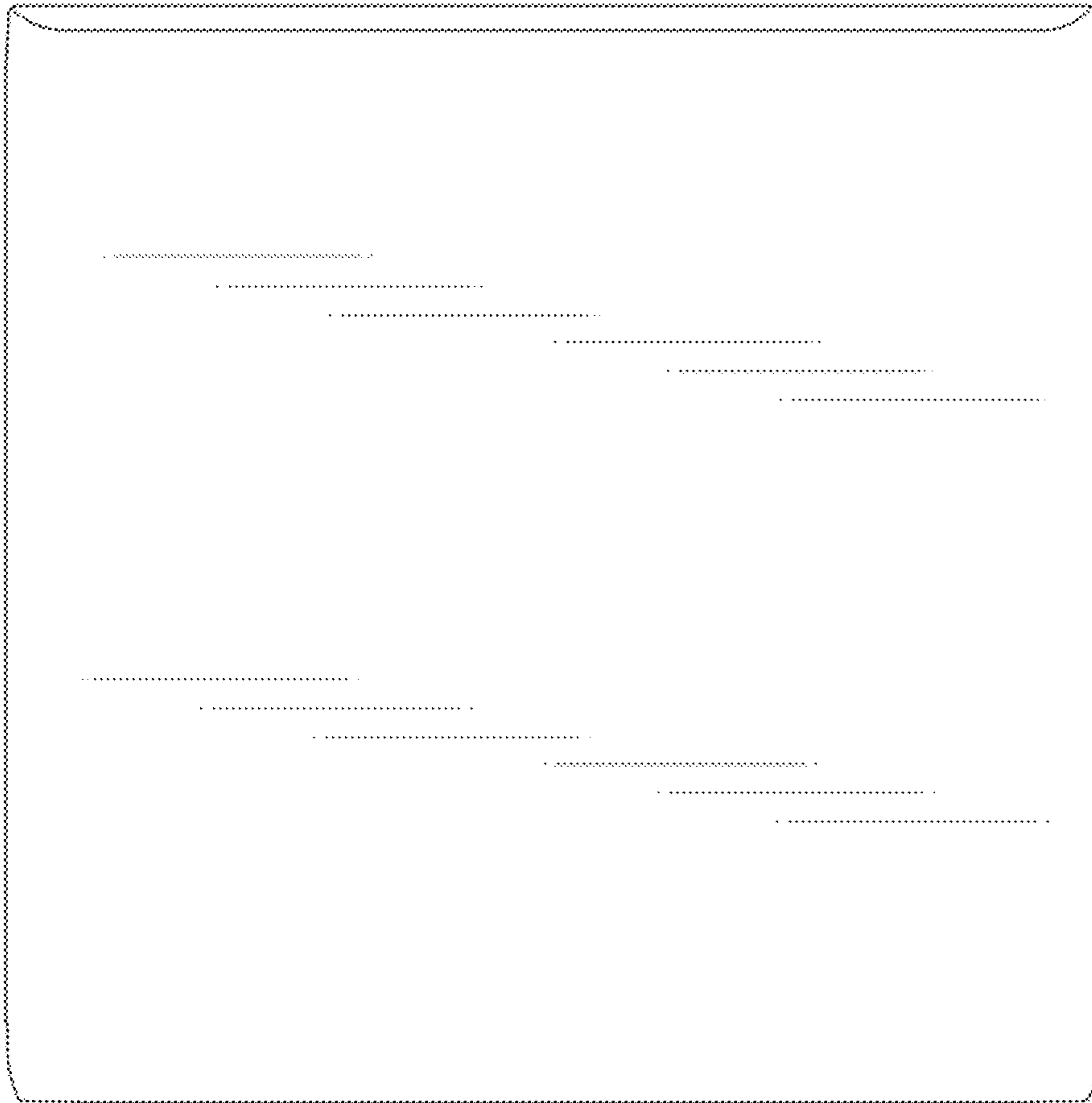


FIG. 7



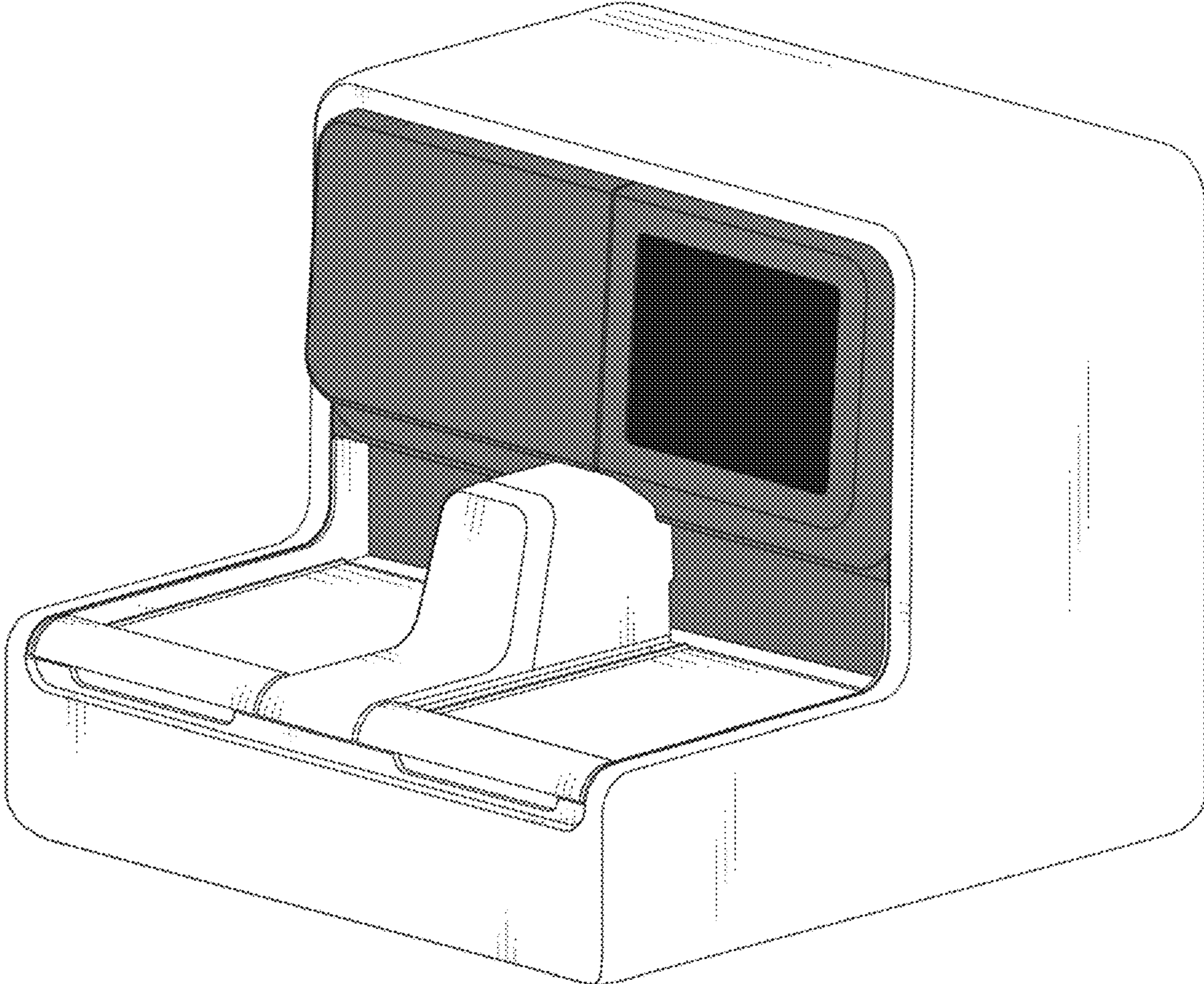


FIG. 8

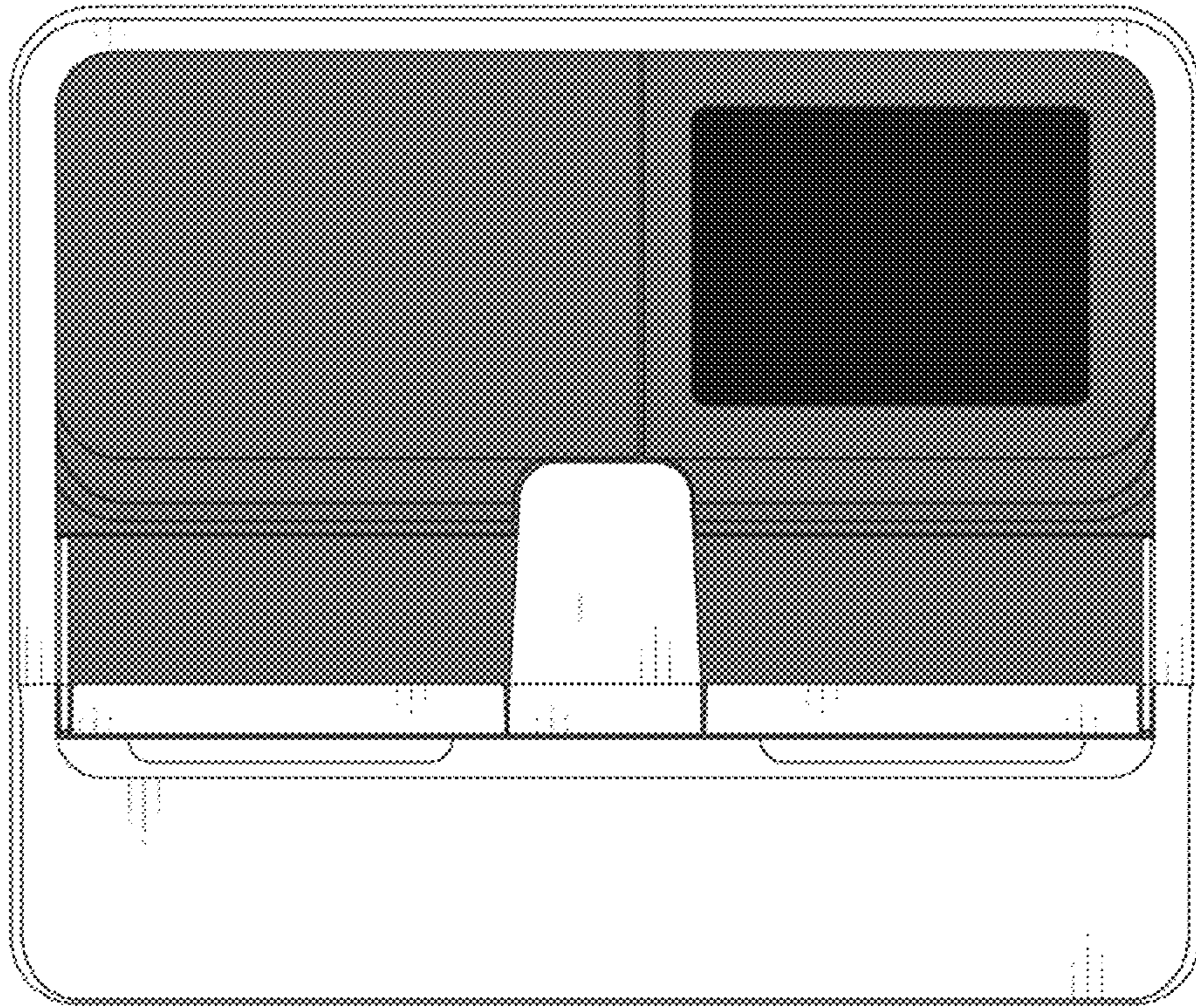


FIG. 9

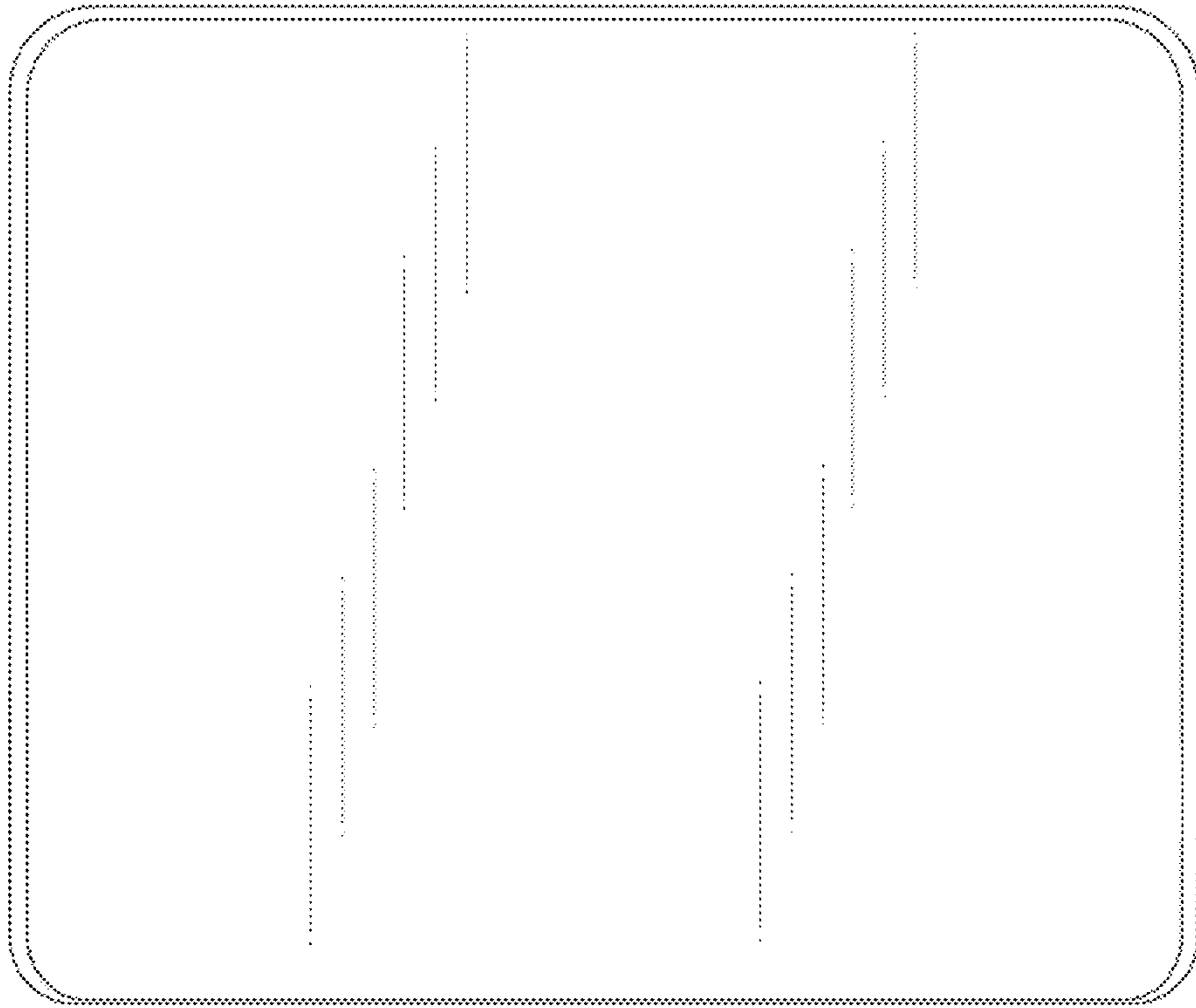


FIG. 10

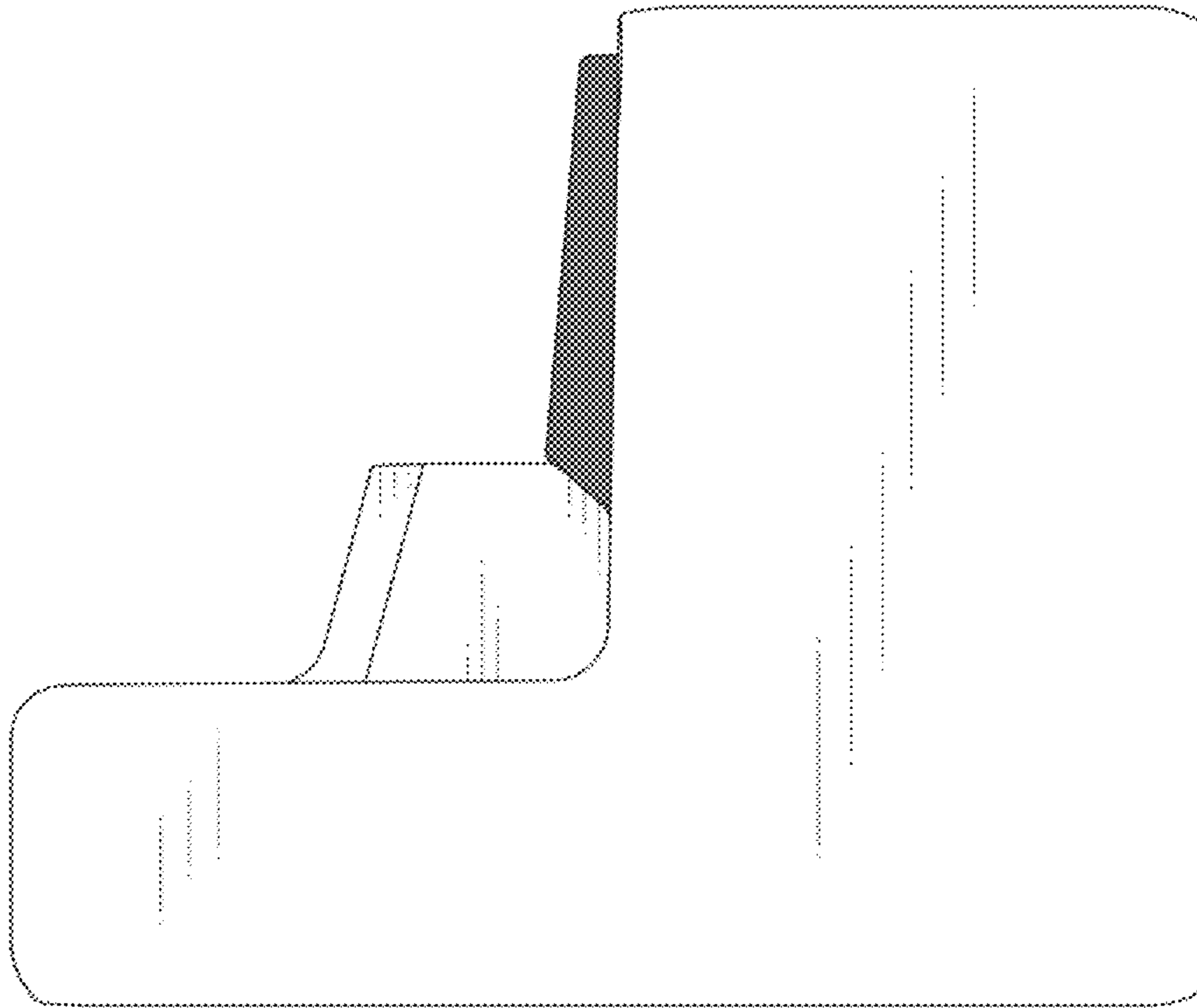


FIG. 11

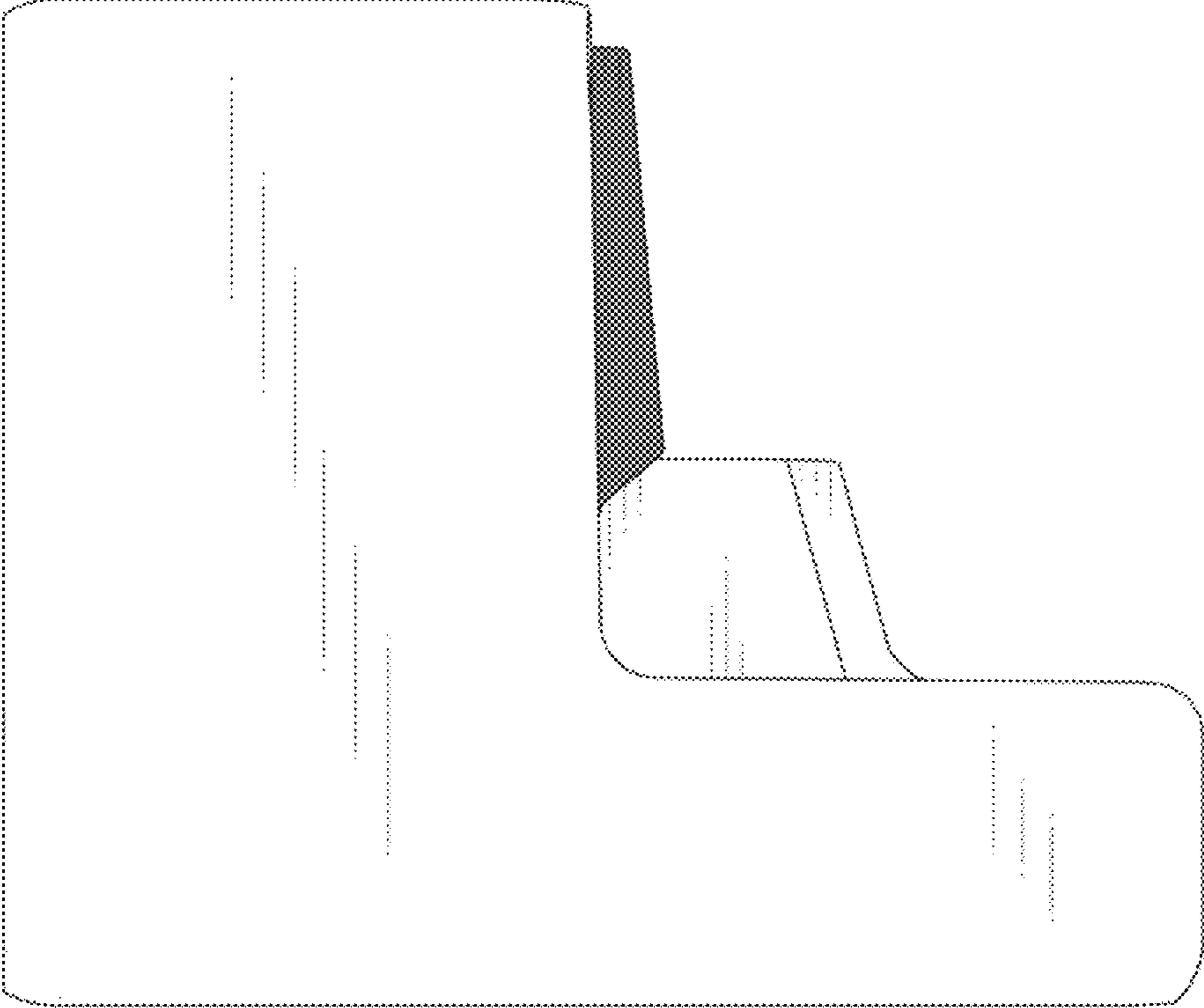


FIG. 12

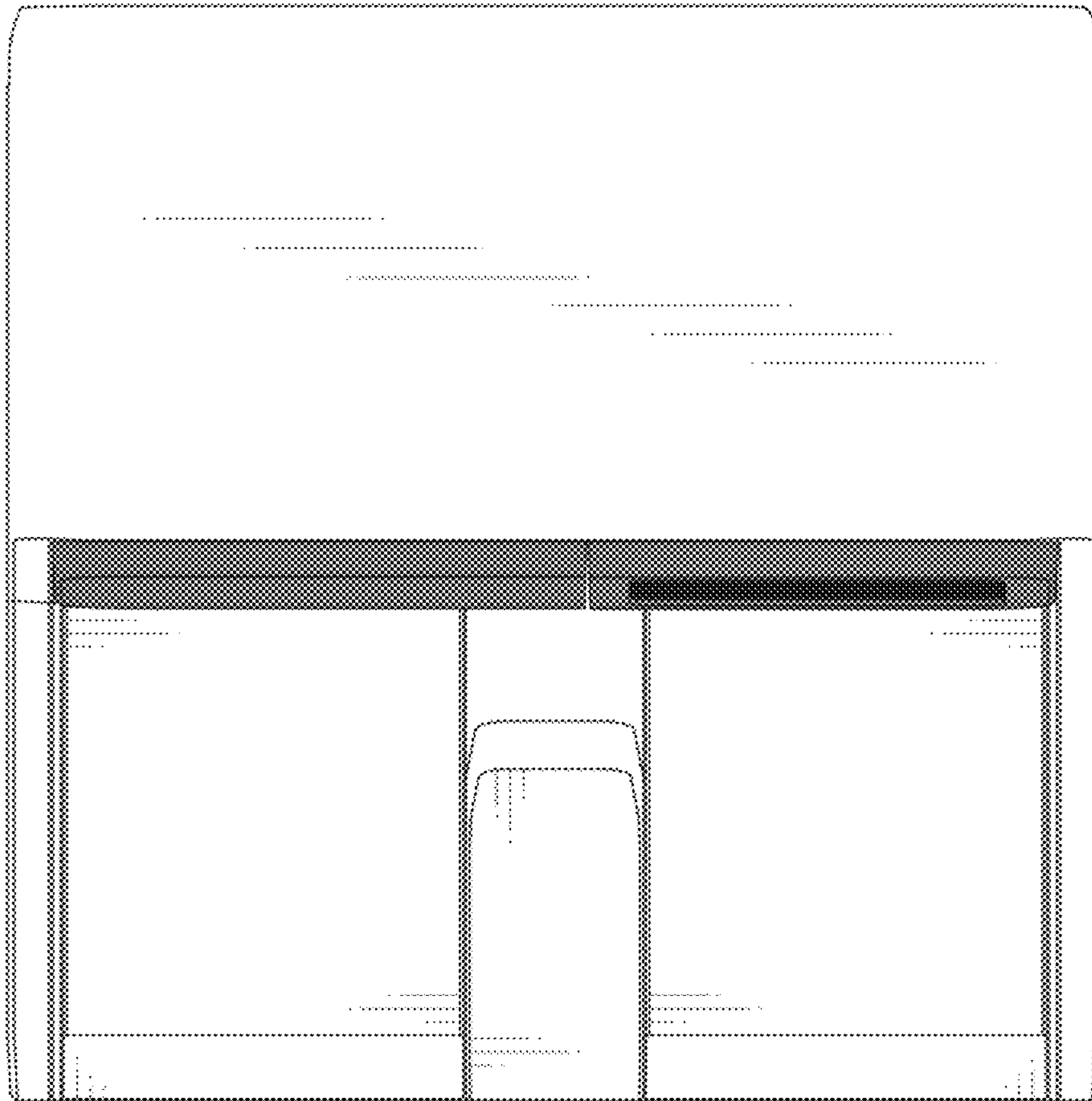


FIG. 13

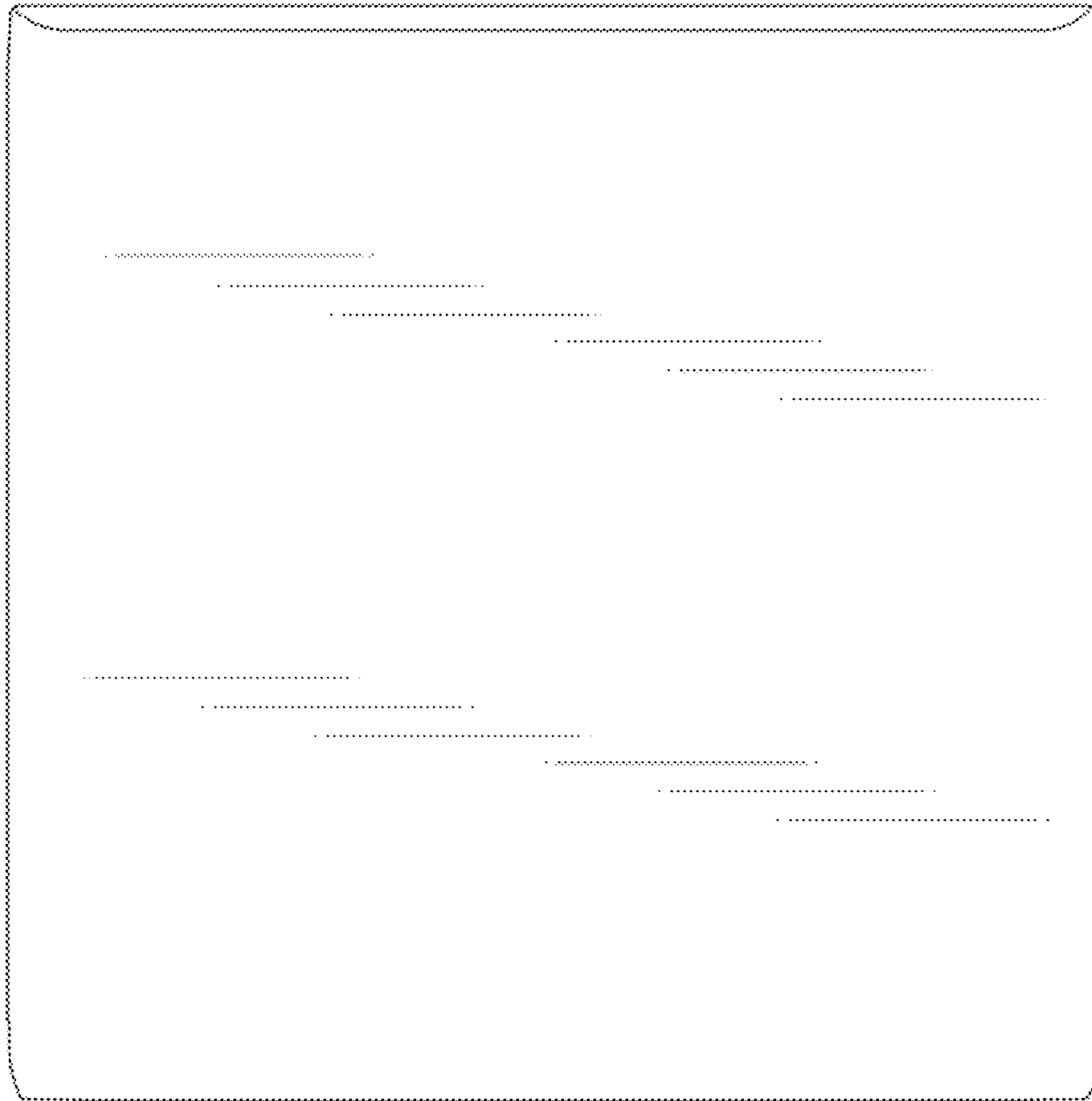


FIG. 14