

US00D964589S

(12) **United States Design Patent**  
**Ui et al.**

(10) **Patent No.:** **US D964,589 S**  
(45) **Date of Patent:** **\*\* Sep. 20, 2022**

(54) **FECAL OCCULT BLOOD ANALYZER**

D869,310 S \* 12/2019 Nagasawa ..... D24/216  
D869,313 S \* 12/2019 Zeng ..... D10/88  
D932,929 S \* 10/2021 Stone ..... D24/216

(71) Applicant: **EIKEN KAGAKU KABUSHIKI**  
**KAISHA**, Tokyo (JP)

(Continued)

(72) Inventors: **Kento Ui**, Tokyo (JP); **Yujiro Akuta**,  
Mitaka (JP); **Kazuki Fukuyama**,  
Mitaka (JP); **Munetaka Ichikawa**,  
Mitaka (JP); **Kazusuke Kotani**, Tokyo  
(JP)

**FOREIGN PATENT DOCUMENTS**

CN 302883456 7/2014  
CN 201530405863 \* 2/2016

(Continued)

*Primary Examiner* — Anhdao Doan

(74) *Attorney, Agent, or Firm* — Soei Patent & Law Firm

(\*\*) Term: **15 Years**

(57) **CLAIM**

(21) Appl. No.: **29/763,206**

The ornamental design for a fecal occult blood analyzer, as shown and described.

(22) Filed: **Dec. 22, 2020**

**DESCRIPTION**

(30) **Foreign Application Priority Data**

Jun. 24, 2020 (JP) ..... 2020-012684 D

(51) **LOC (13) Cl.** ..... **24-01**

(52) **U.S. Cl.**  
USPC ..... **D24/216**

(58) **Field of Classification Search**  
USPC ..... D24/107, 185, 186, 216, 219, 231–234;  
D10/81  
CPC ..... G01N 2035/00306; G01N 2035/00326;  
G01N 2035/00336; G01N 2030/027;  
G01N 21/76; G01N 2035/00039; G01N  
2035/00049; G01N 35/00029  
See application file for complete search history.

FIG. 1 is a front view of a fecal occult blood analyzer, of the present invention;  
FIG. 2 is a rear view thereof;  
FIG. 3 is a top plan view thereof;  
FIG. 4 is a bottom plan view thereof;  
FIG. 5 is a right side view thereof;  
FIG. 6 is a left side view thereof;  
FIG. 7 is a front, top plan and left side perspective view thereof;  
FIG. 8 is a rear, bottom plan and right side perspective view thereof;  
FIG. 9 is an enlarged cross-sectional view with the inner mechanism omitted along the line 9-9 in FIG. 3;  
FIG. 10 is an enlarged cross-sectional view with the inner mechanism omitted along the line 10-10 in FIG. 3; and,  
FIG. 11 is an enlarged cross-sectional view with the inner mechanism omitted along the line 11-11 in FIG. 3.

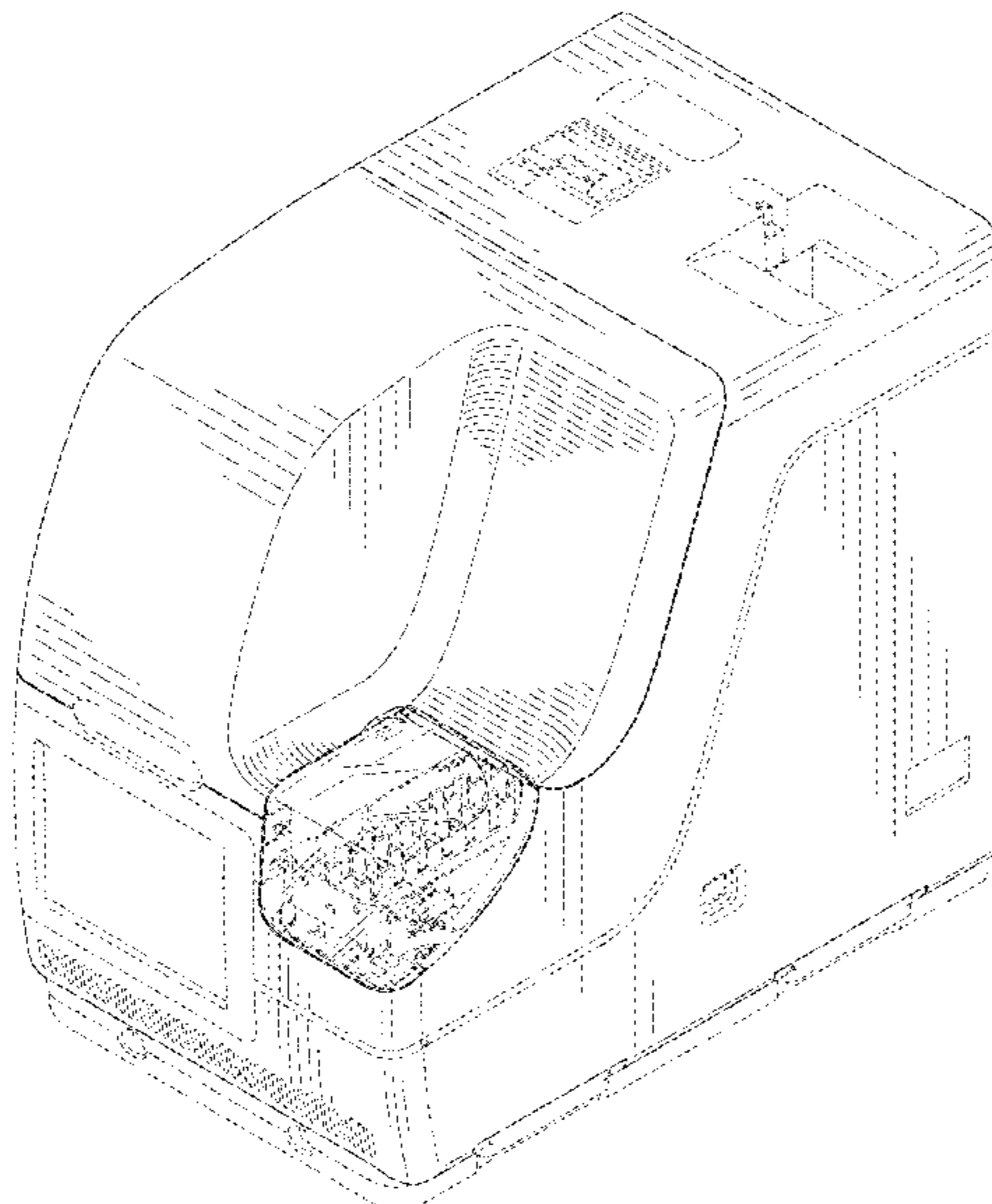
(56) **References Cited**

**U.S. PATENT DOCUMENTS**

D638,545 S \* 5/2011 Okawa ..... D24/186  
D682,441 S \* 5/2013 Kim ..... D24/216  
D782,058 S \* 3/2017 Wan ..... D24/216  
D782,690 S \* 3/2017 Kurihara ..... D24/216  
D783,175 S \* 4/2017 Hosokawa ..... D24/216  
D837,402 S \* 1/2019 Kim ..... D24/232  
D854,703 S \* 7/2019 Juhlin ..... D24/216

The broken lines showing portions of the fecal occult blood analyzer form no part of the claimed design. The dot-dash broken lines in the drawings represent the bounds of the claimed subject matter, the dot-dash lines, themselves forming no part thereof.

**1 Claim, 11 Drawing Sheets**



(56)

**References Cited**

U.S. PATENT DOCUMENTS

2008/0063567 A1\* 3/2008 Schacher ..... G01N 35/025  
422/68.1  
2014/0073517 A1\* 3/2014 Zhou ..... G01N 35/1002  
435/6.12

FOREIGN PATENT DOCUMENTS

JP 1651936 2/2020  
TW D198371 7/2019

\* cited by examiner

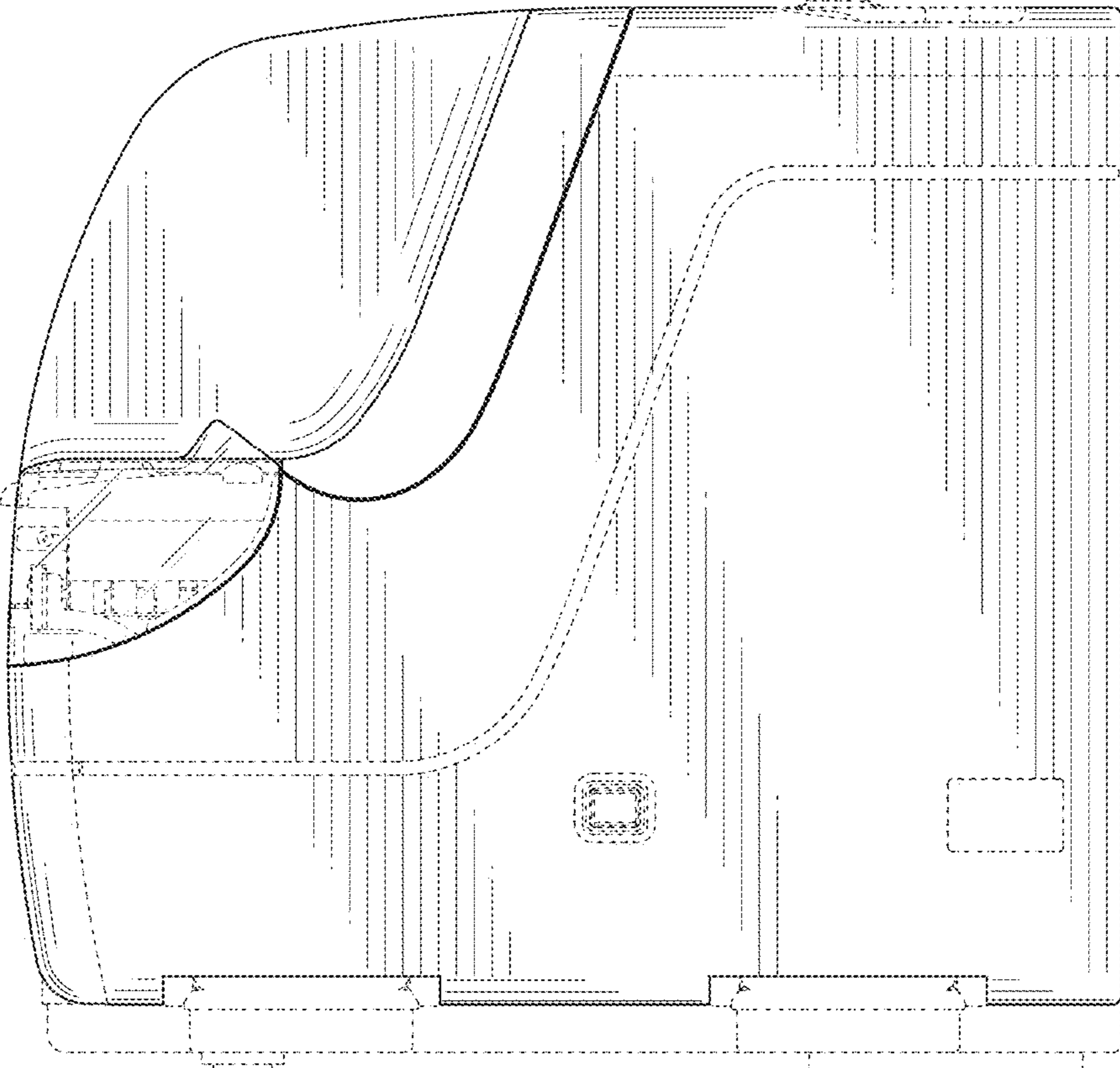


FIG. 1

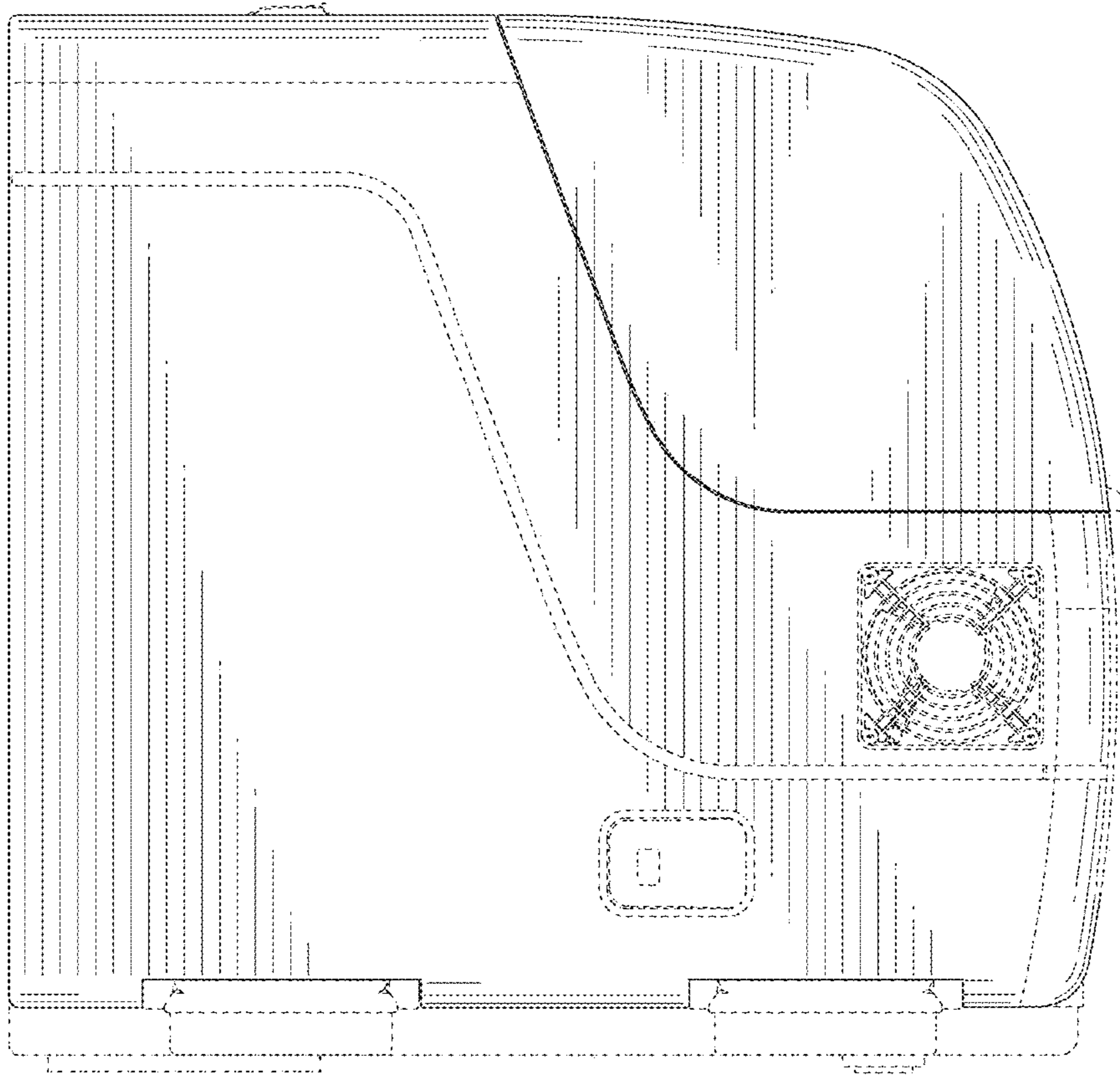


FIG. 2

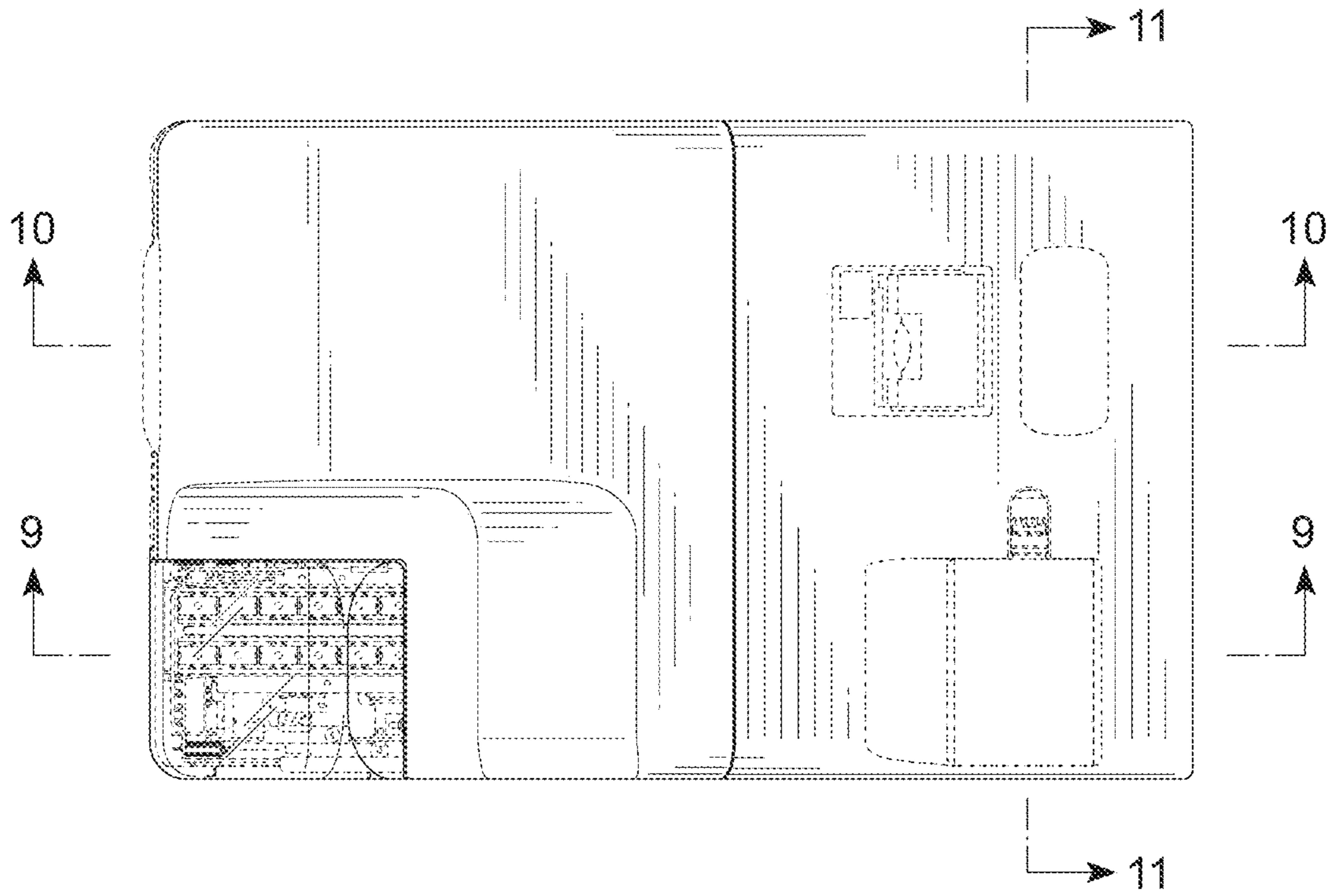


FIG. 3

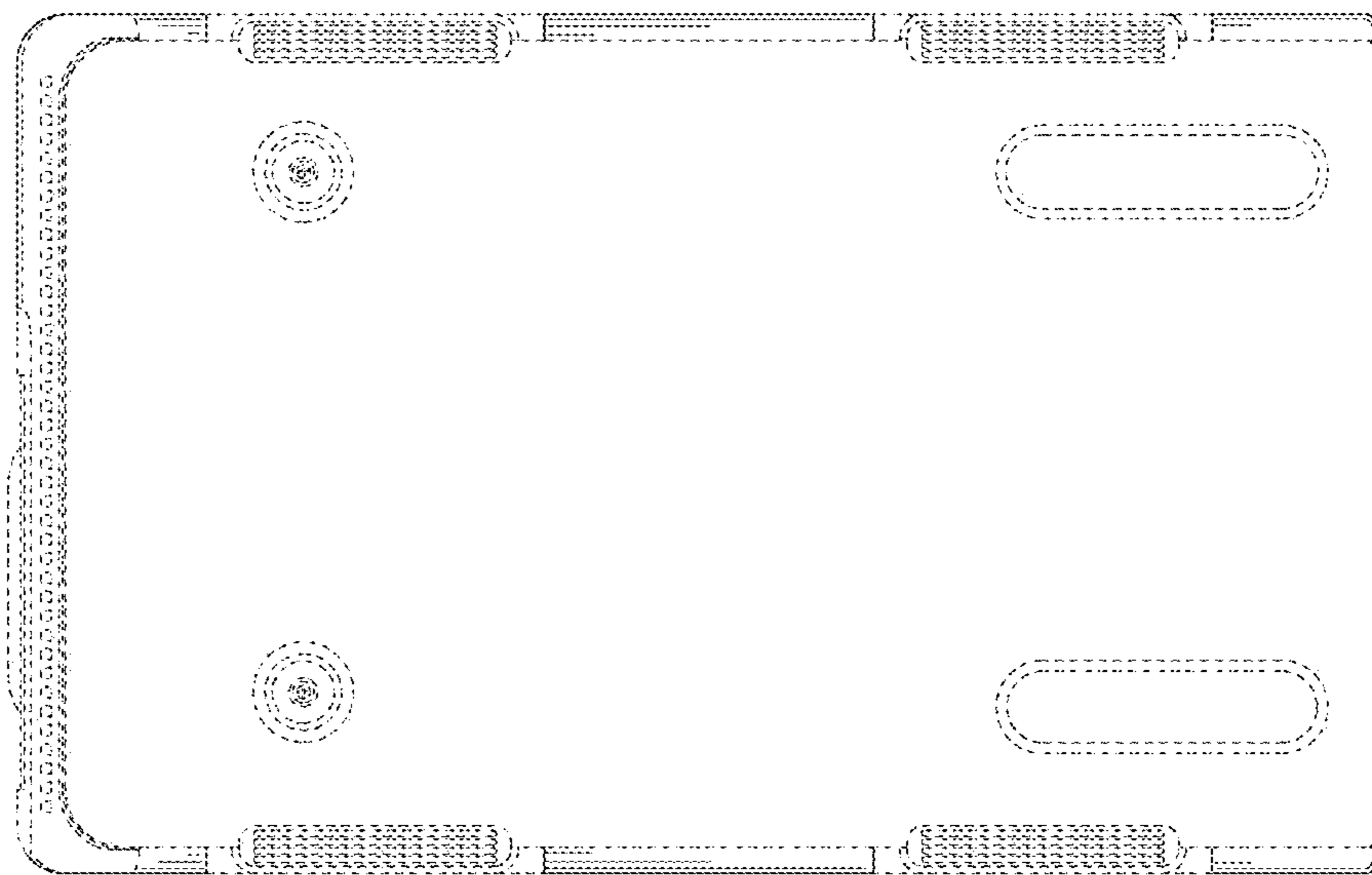


FIG. 4

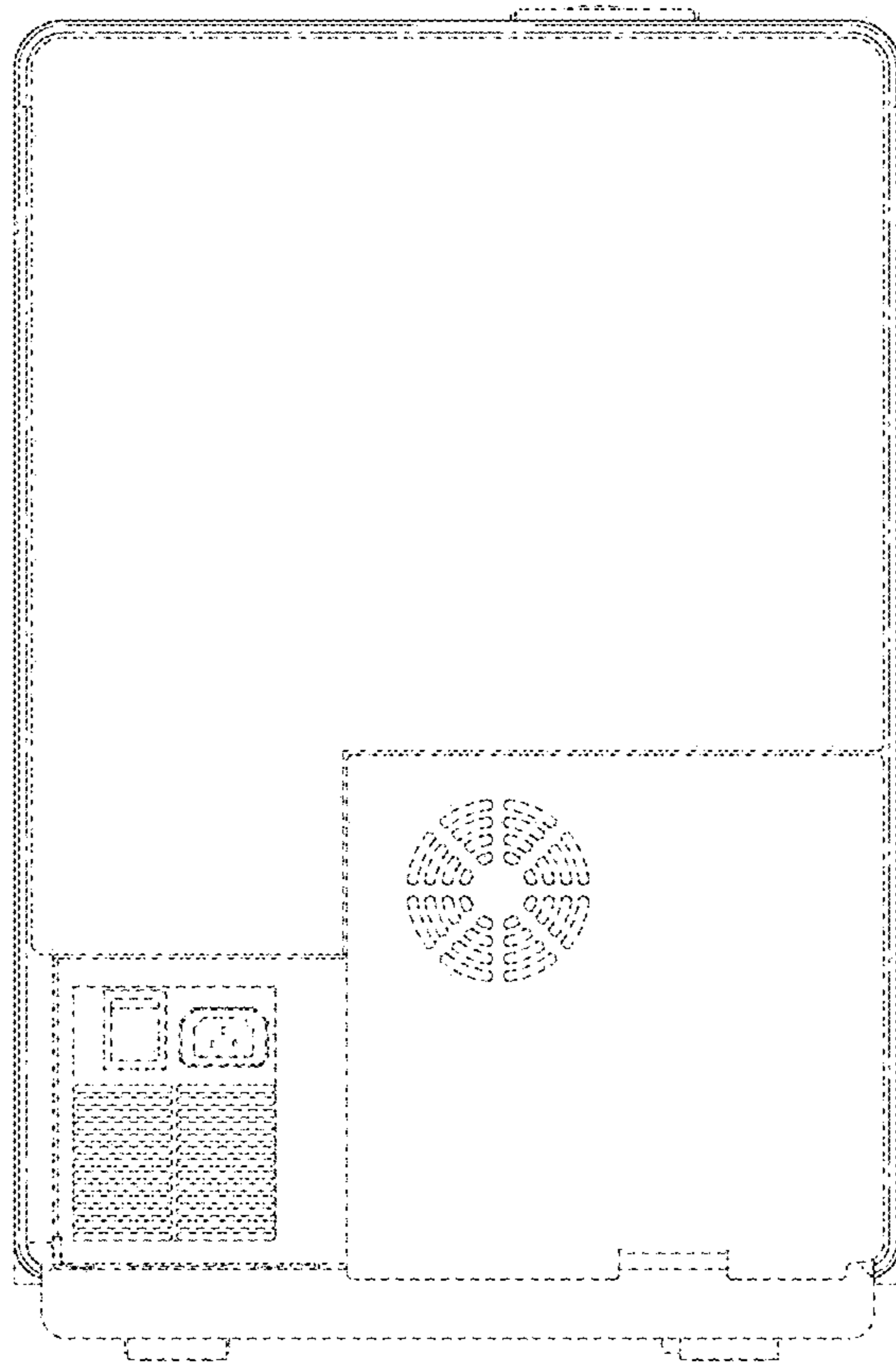


FIG. 5

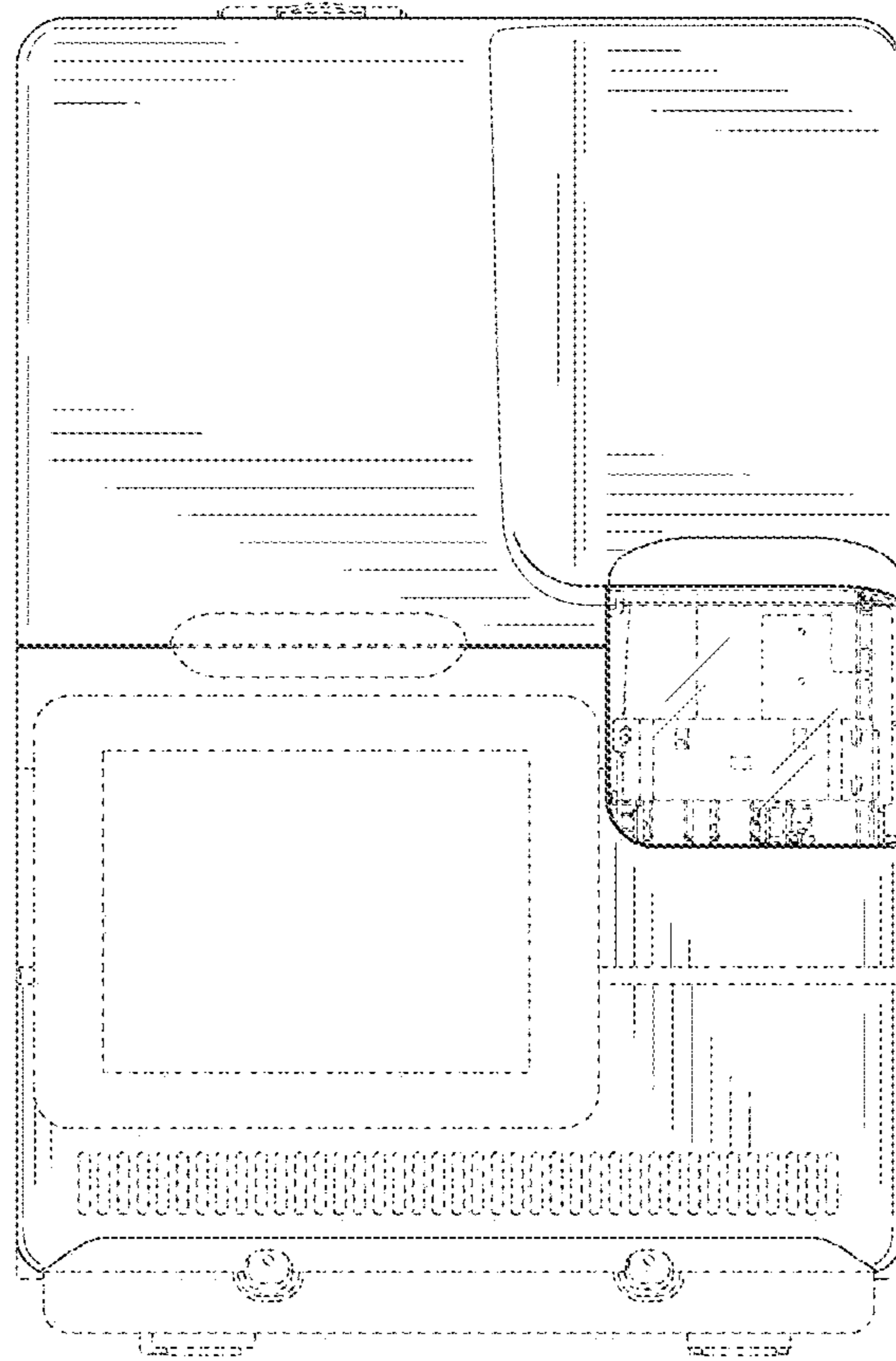


FIG. 6



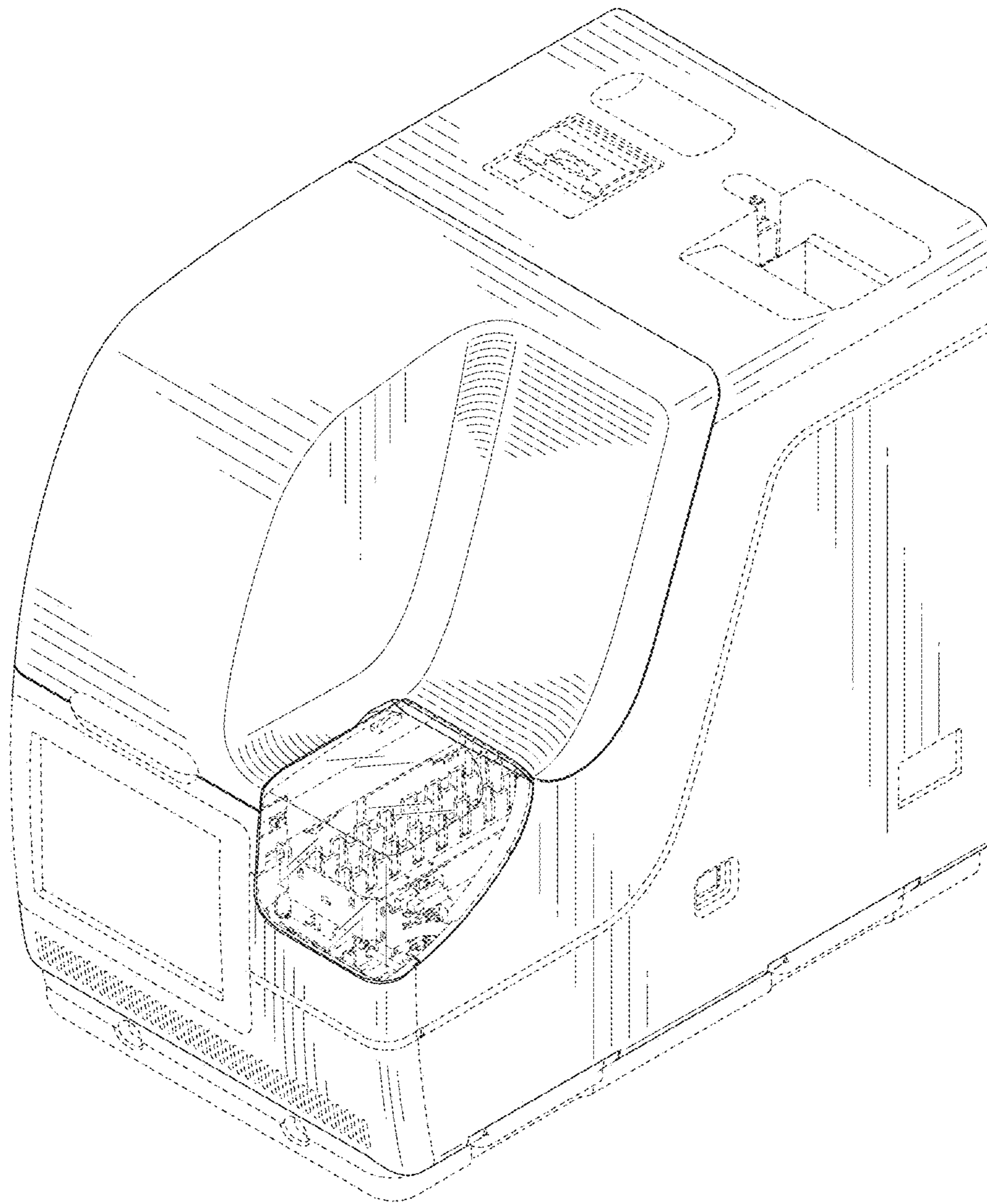


FIG. 7

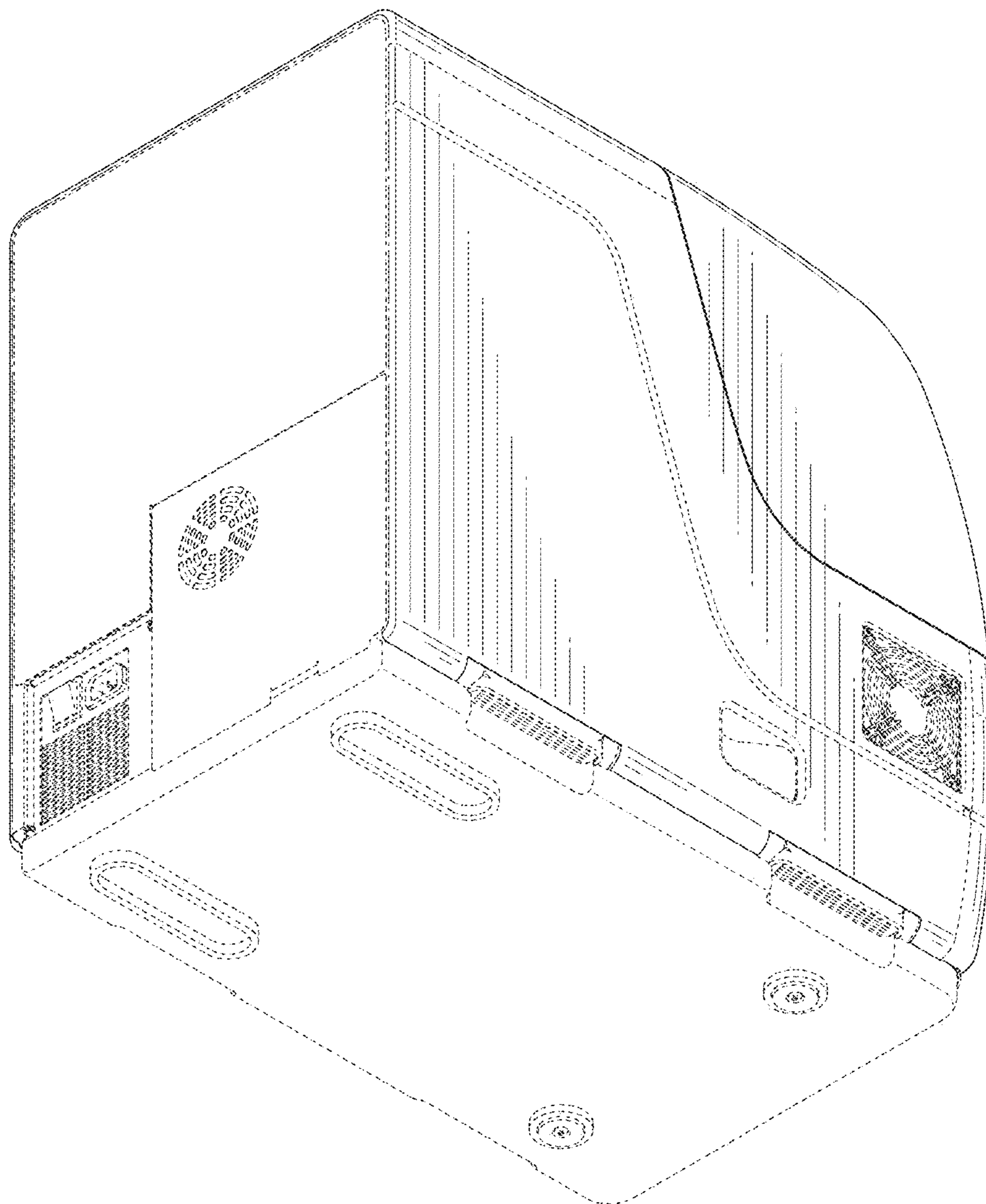


FIG. 8

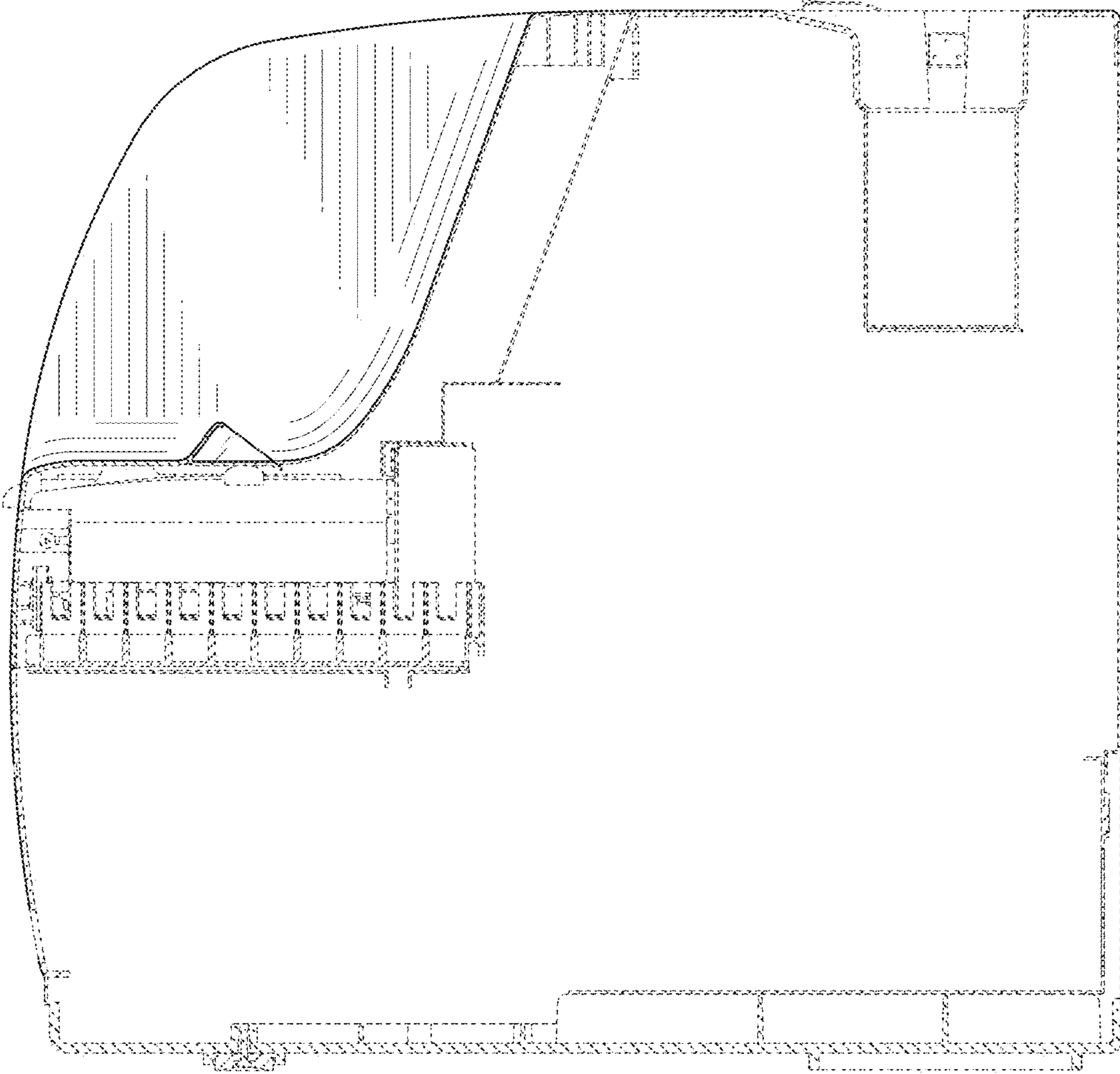


FIG. 9

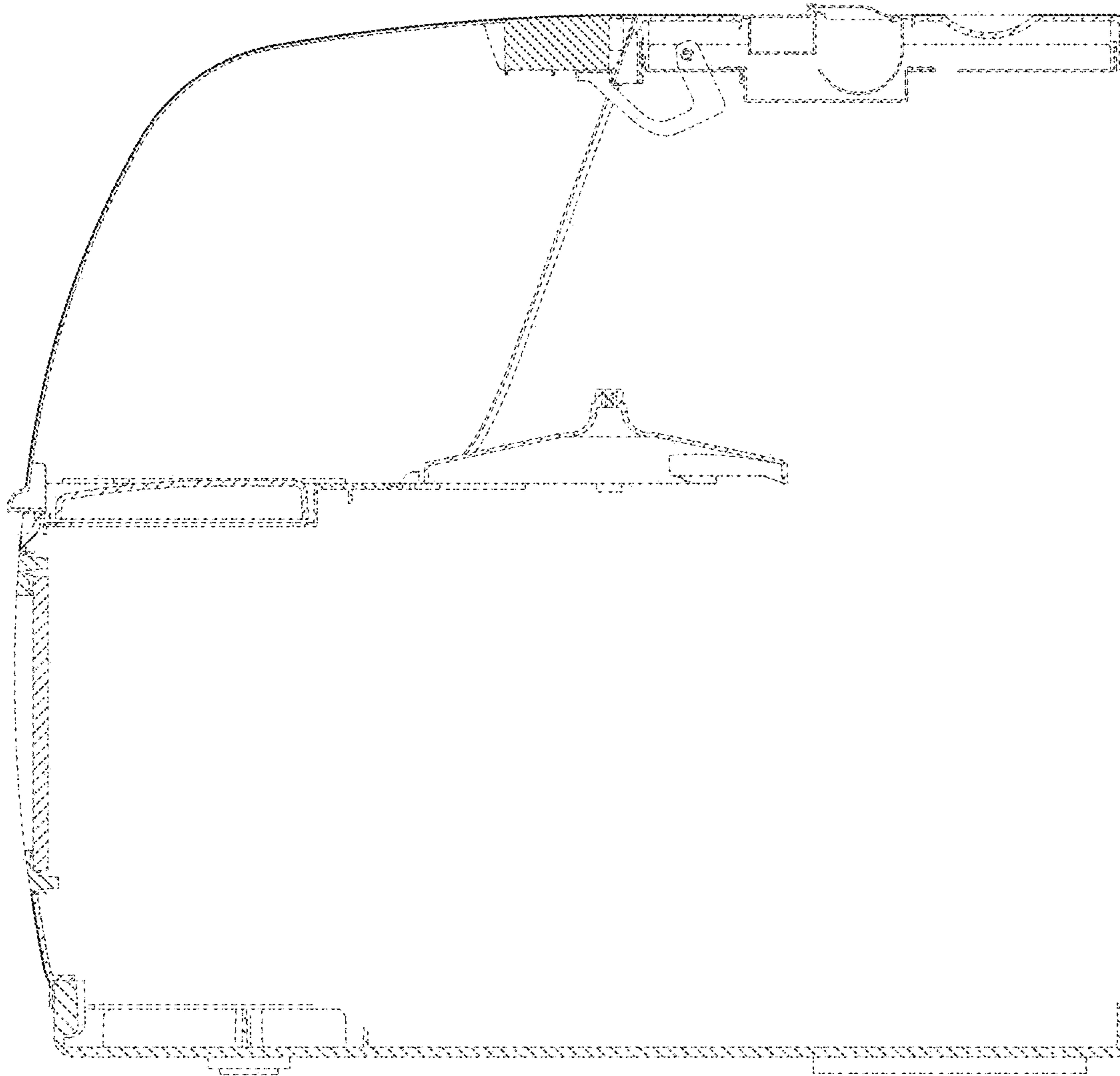


FIG. 10

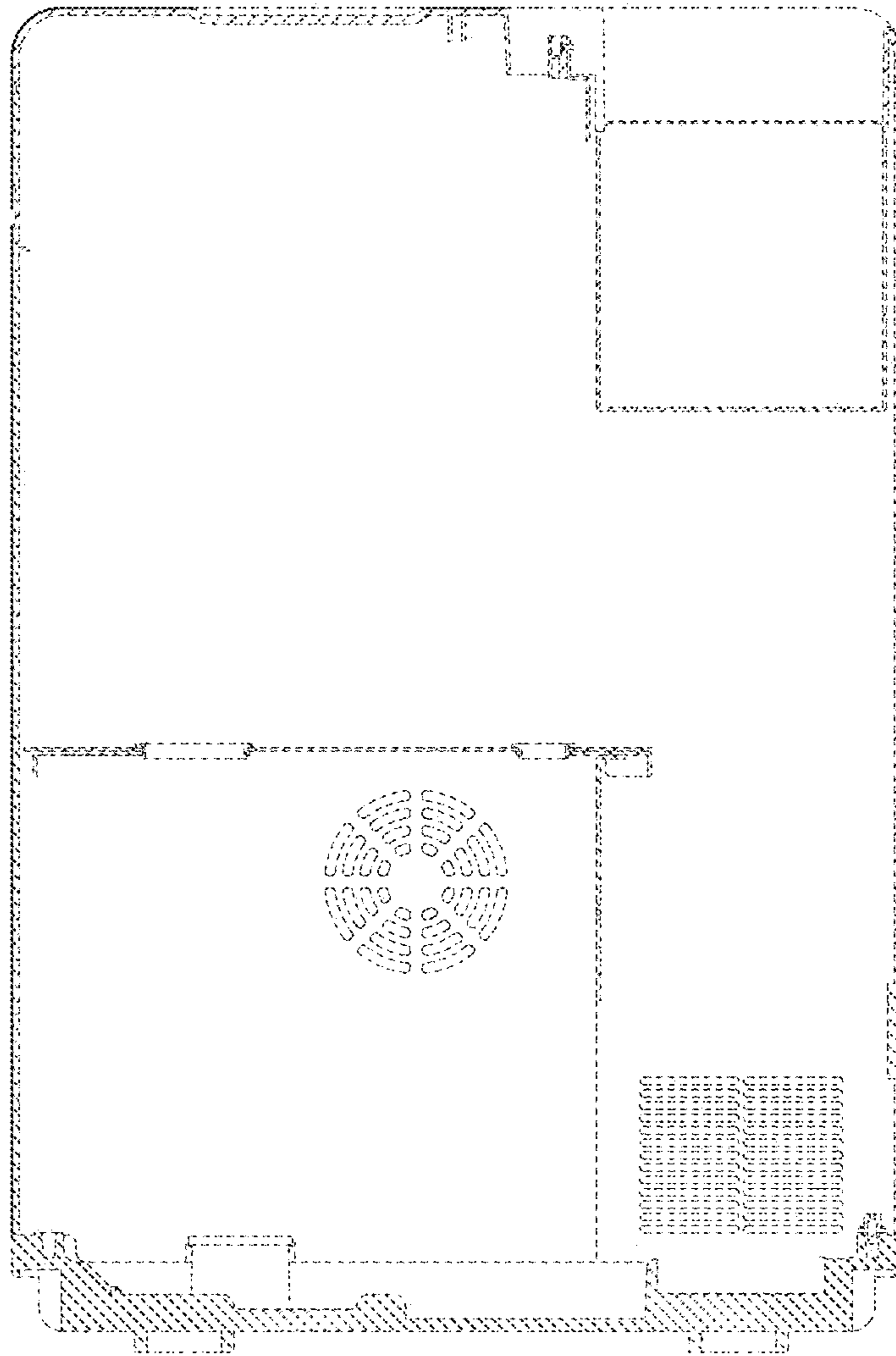


FIG. 11