



US00D964588S

(12) **United States Design Patent** (10) **Patent No.:** **US D964,588 S**
Gasta et al. (45) **Date of Patent:** **** Sep. 20, 2022**

(54) **STIMULATION DEVICE**
(71) Applicant: **CDI PlusOne Corp.**, Boston, MA (US)
(72) Inventors: **Emily Gasta**, Newton, MA (US);
Jamie Leventhal, Newton, MA (US)
(73) Assignee: **CDI PlusOne Corp.**, Boston, MA (US)
(**) Term: **15 Years**

D688,382 S * 8/2013 Marshall D24/215
D693,017 S * 11/2013 Tai D24/215
D694,417 S * 11/2013 Tai D24/215
D696,414 S * 12/2013 Tabe D24/215
D698,452 S * 1/2014 Tai D24/215
D706,440 S 6/2014 Hahr et al.
D706,441 S * 6/2014 Hahr D24/215
D712,057 S * 8/2014 McDonald, Jr. D24/215

(Continued)

(21) Appl. No.: **29/764,427**
(22) Filed: **Dec. 30, 2020**
(51) **LOC (13) Cl.** **28-03**
(52) **U.S. Cl.**
USPC **D24/215**
(58) **Field of Classification Search**
USPC D24/119, 133, 141, 200, 211, 212, 213,
D24/214, 215
CPC A61H 19/34; A61H 19/40; A61H 21/00;
A61H 19/30; A61H 19/44; A61H 19/00;
A61H 2205/024
See application file for complete search history.

OTHER PUBLICATIONS

Amazon, "PlusOne Vibrating Arc", Dec. 1, 2020. <https://www.amazon.com/plusOne-Vibrating-Vibration-Rechargeable-Waterproof/dp/B08PDXQL3R>. Shown on p. 1. (Year: 2020).*

(Continued)

Primary Examiner — Michael A Maharajh
(74) *Attorney, Agent, or Firm* — Pierce Atwood LLP;
Kevin M. Farrell

(57) **CLAIM**

The ornamental design for a stimulation device, as shown and described.

(56) **References Cited**

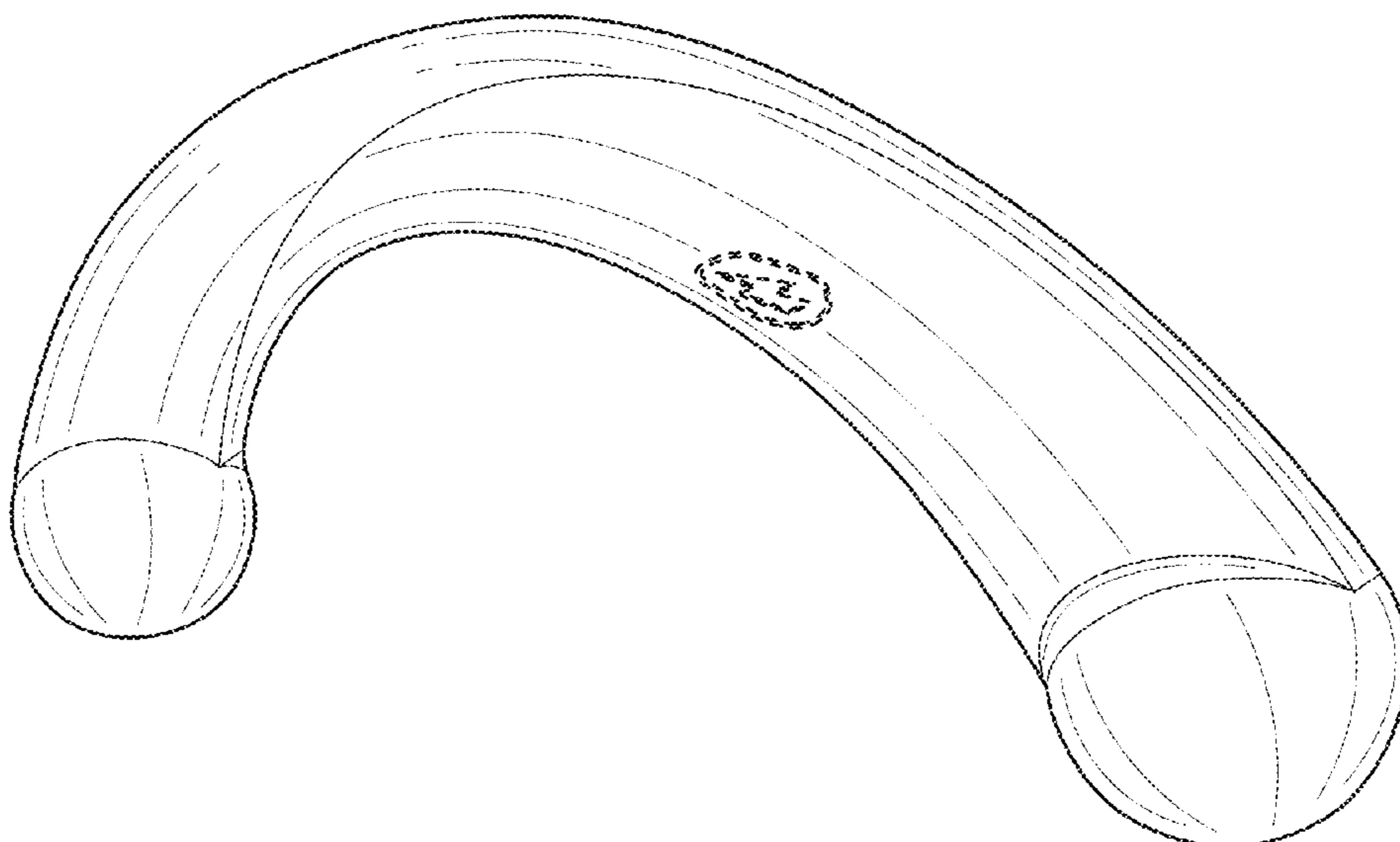
DESCRIPTION

U.S. PATENT DOCUMENTS

D338,964 S 8/1993 Tarjoto
D375,167 S 10/1996 Taylor
D386,879 S * 11/1997 Daniels D24/214
D475,793 S * 6/2003 Tinsley D24/214
D540,952 S * 4/2007 Colvin D24/215
D589,619 S * 3/2009 Wu D24/133
D595,409 S * 6/2009 Takashima D24/141
D608,890 S * 1/2010 Takashima D24/141
D633,625 S * 3/2011 Maderazzo D24/200
D643,128 S * 8/2011 Mohamed D24/215
D648,442 S * 11/2011 Caggiano D24/215
D652,943 S * 1/2012 Chong D24/215
D665,091 S 8/2012 Mistry et al.
D668,346 S * 10/2012 Zeng D24/215
D685,105 S * 6/2013 Marshall D24/215
D687,957 S * 8/2013 Heslier D24/215

FIG. 1 is a bottom perspective view of a stimulation device showing our new design;
FIG. 2 is a top perspective view thereof;
FIG. 3 is a left side elevation view thereof;
FIG. 4 is a right side elevation view thereof;
FIG. 5 is a front elevation view thereof;
FIG. 6 is a rear elevation view thereof;
FIG. 7 is the top plan view thereof; and,
FIG. 8 is the bottom plan view thereof.
The broken lines in the drawings depict portions of the stimulation device that form no part of the claimed design. In particular, the controls and the on/off button form no part of the claimed design.

1 Claim, 6 Drawing Sheets



(56)

References Cited

U.S. PATENT DOCUMENTS

D720,862 S * 1/2015 McDonald, Jr. D24/215
 D722,698 S * 2/2015 Frankel D24/171
 D739,951 S * 9/2015 Tai D24/215
 D744,663 S * 12/2015 Holland D24/211
 D750,797 S * 3/2016 Mannheim D24/215
 D754,395 S * 4/2016 Yeo D28/7
 D758,600 S * 6/2016 Matsushita D24/200
 D768,308 S 10/2016 Hetzel
 D792,980 S * 7/2017 Olivares D24/215
 D793,555 S * 8/2017 Dupre D24/141
 9,763,851 B2 9/2017 Lenke
 D806,258 S 12/2017 Sedic
 9,849,061 B2 12/2017 Lenke
 D812,240 S * 3/2018 Janapol D24/215
 9,937,097 B2 4/2018 Lenke
 D818,603 S * 5/2018 Marshall D24/215
 D822,201 S * 7/2018 Decker D24/119
 D822,843 S 7/2018 Lenke
 D825,073 S 8/2018 Lenke
 D826,421 S * 8/2018 Janapol D24/215
 D833,637 S * 11/2018 Marshall D24/215
 D835,796 S 12/2018 Sedic
 D836,792 S 12/2018 Fuhner et al.
 D839,441 S * 1/2019 Harashima D24/215
 D845,501 S * 4/2019 Janapol D24/215
 D850,644 S 6/2019 Sedic
 D866,781 S * 11/2019 Maroney D24/200
 D866,783 S 11/2019 Sedic

D878,615 S * 3/2020 Ankosko D24/200
 D882,109 S 4/2020 Qiu
 D882,806 S 4/2020 Takashima
 D884,206 S 5/2020 Haddock et al.
 D884,914 S 5/2020 Gao
 D886,319 S * 6/2020 Sugimoto D24/215
 D894,418 S * 8/2020 Paterson D24/214
 D899,616 S * 10/2020 Jung D24/215
 D905,233 S * 12/2020 Clute D24/119
 D910,869 S * 2/2021 Xiong D24/215
 D914,228 S * 3/2021 Lin D24/215
 D917,061 S * 4/2021 Wilt D24/215
 2013/0331745 A1 * 12/2013 Sedic A61H 19/34
 601/46
 2017/0065483 A1 3/2017 Lenke
 2017/0281457 A1 10/2017 Witt
 2018/0092799 A1 4/2018 Lenke
 2018/0153764 A1 6/2018 Lenke
 2018/0243161 A1 8/2018 Lenke
 2018/0243162 A1 8/2018 Lenke

OTHER PUBLICATIONS

Myplusone, “plusOne dual vibrating arc”, Jan. 24, 2022. <https://myplusone.com/product/plusone-dual-vibrating-arc-6705/>. Shown on p. 1. (Year: 2022).
 Walmart, “PlusOne Air Pulsing Arouser” Sep. 8, 2019; <https://www.walmart.com/ip/Plusone-Air-Pulsing-Arouser/915107452>. Shown on p. 1 (Year: 2019).

* cited by examiner

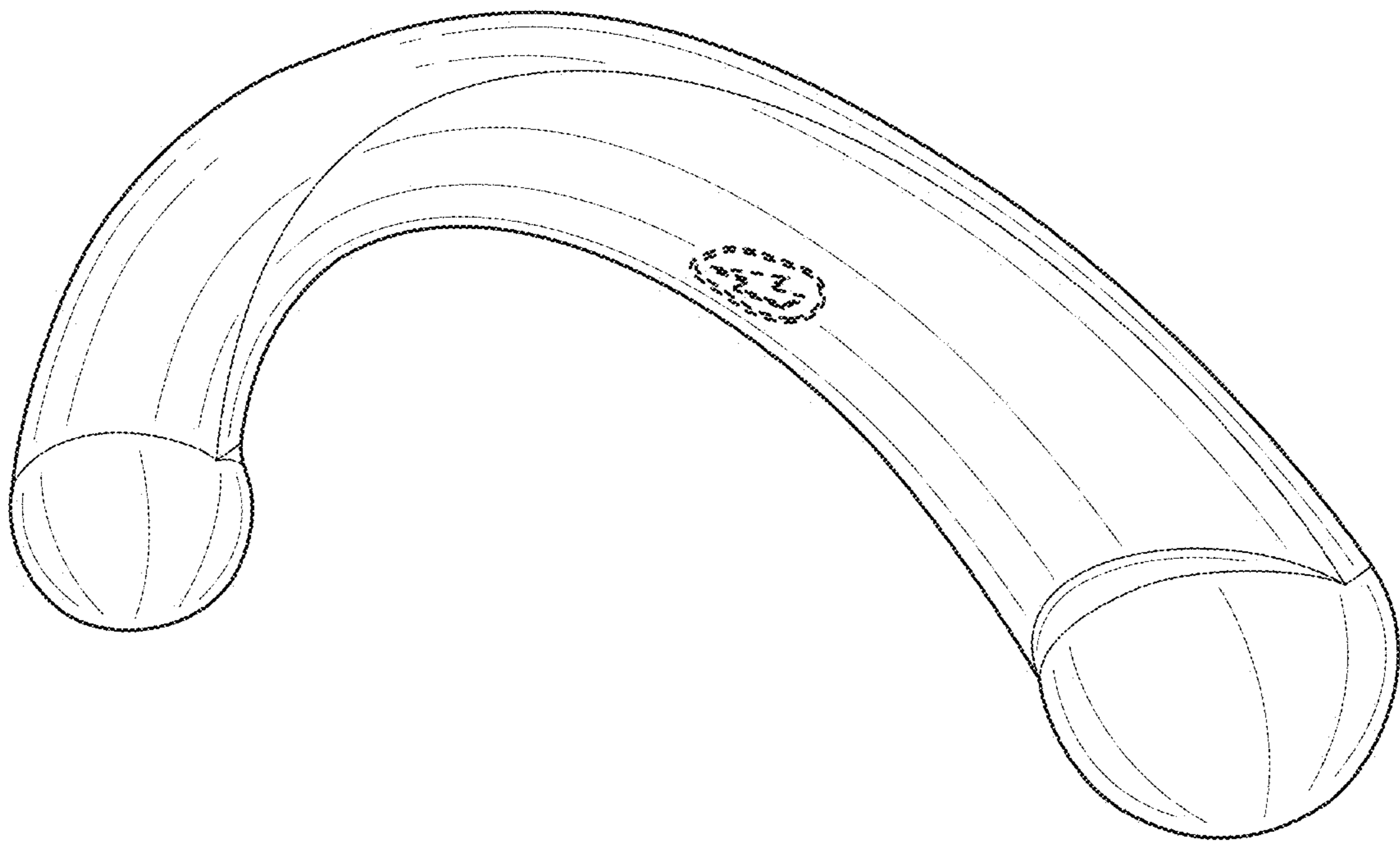


FIG. 1

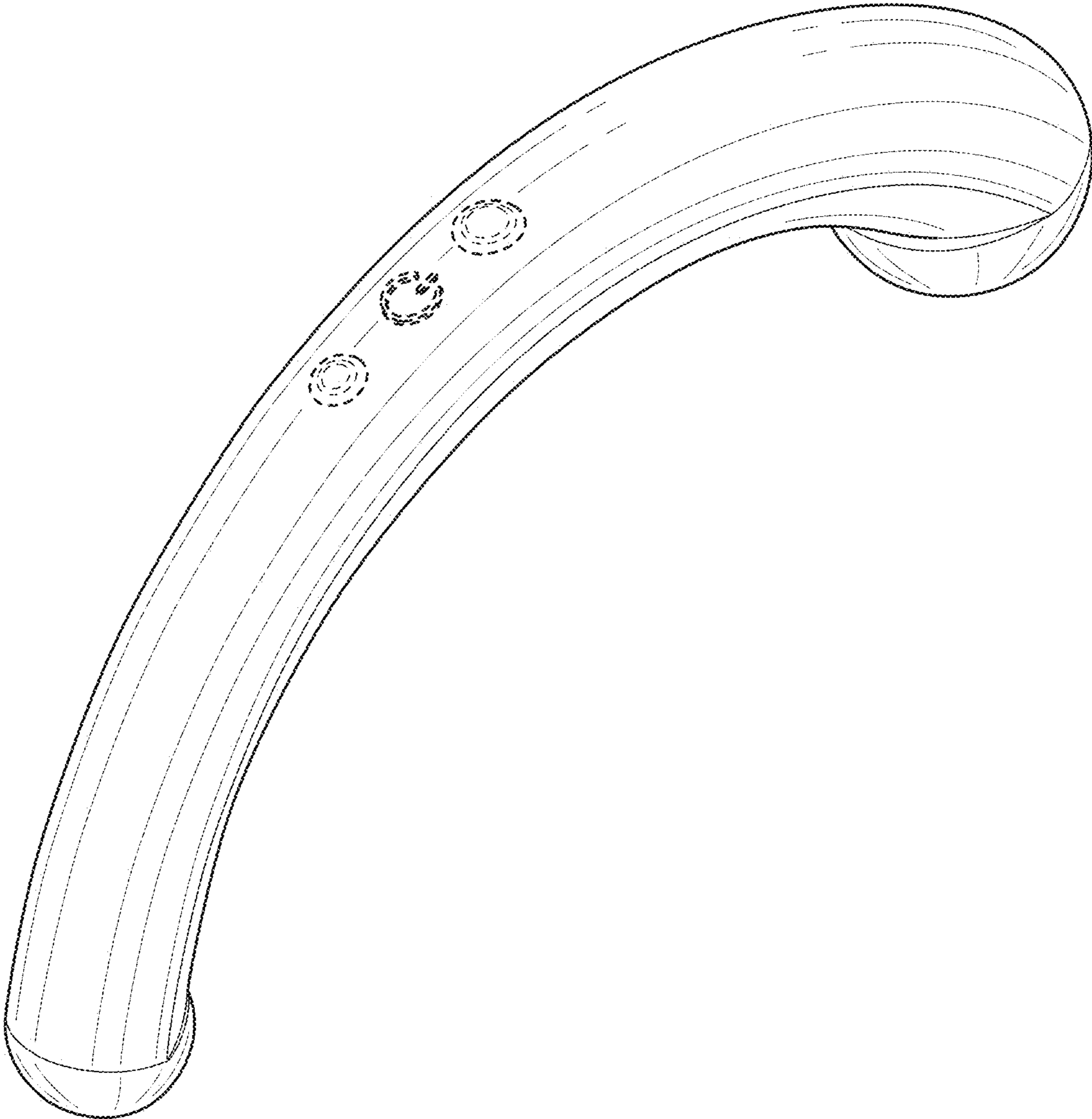


FIG. 2

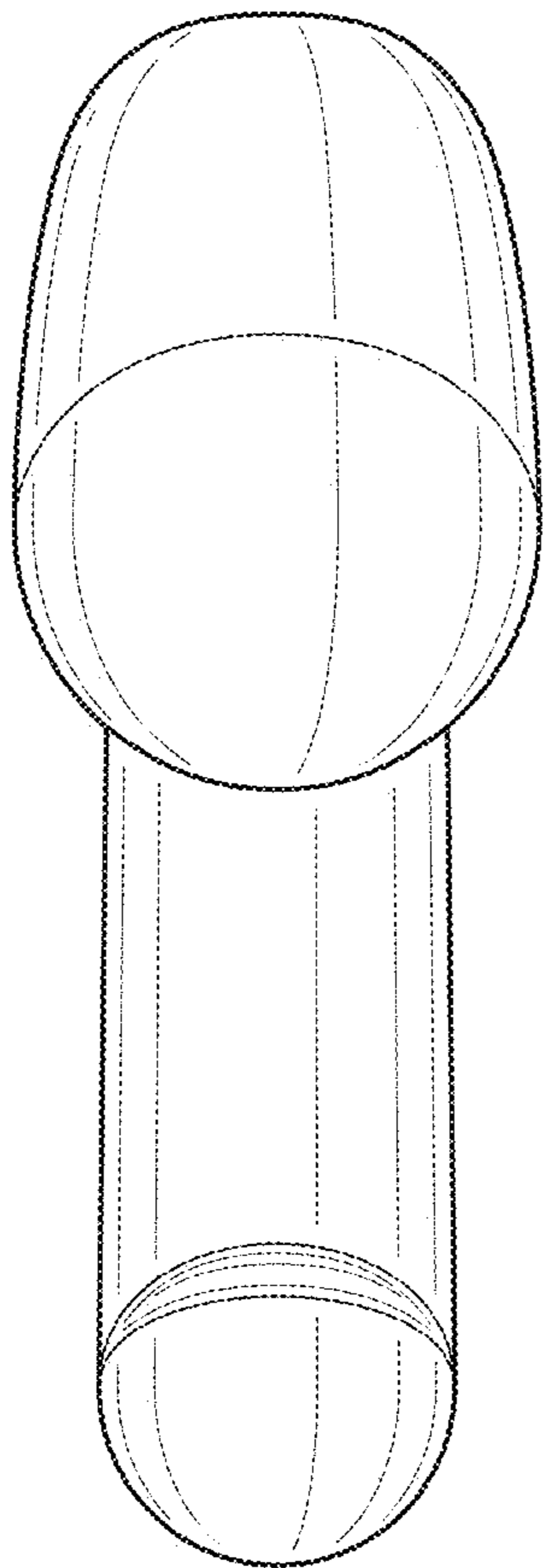


FIG. 3

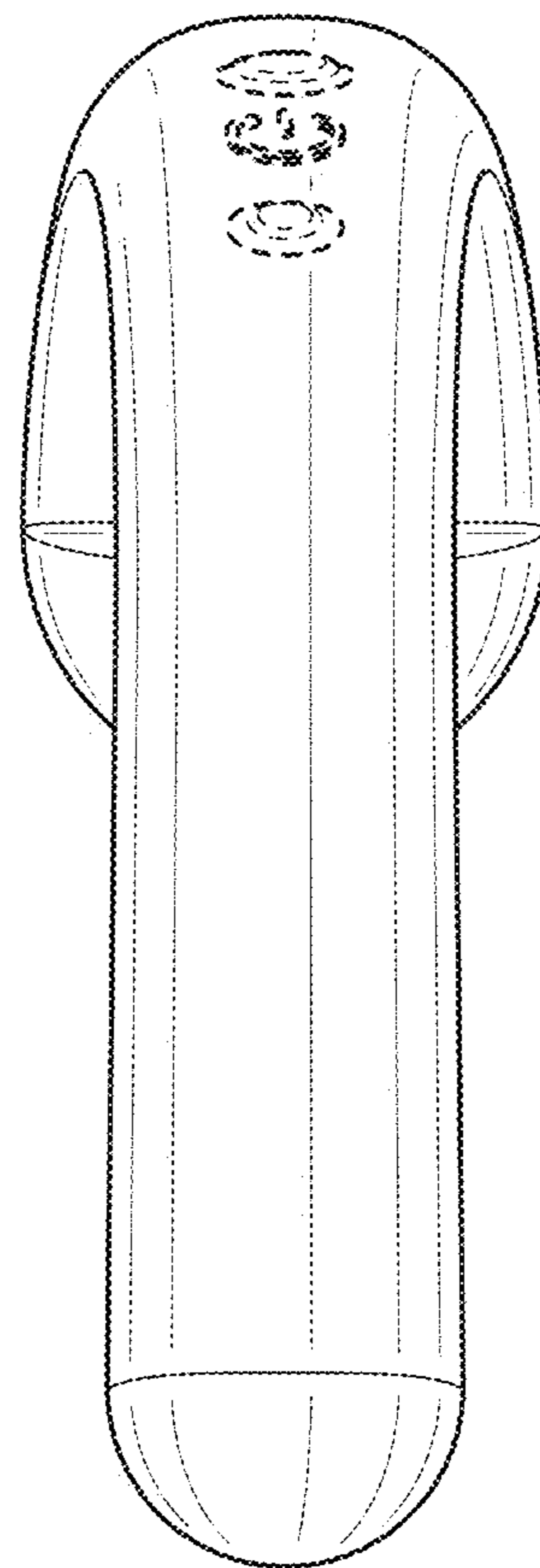


FIG. 4

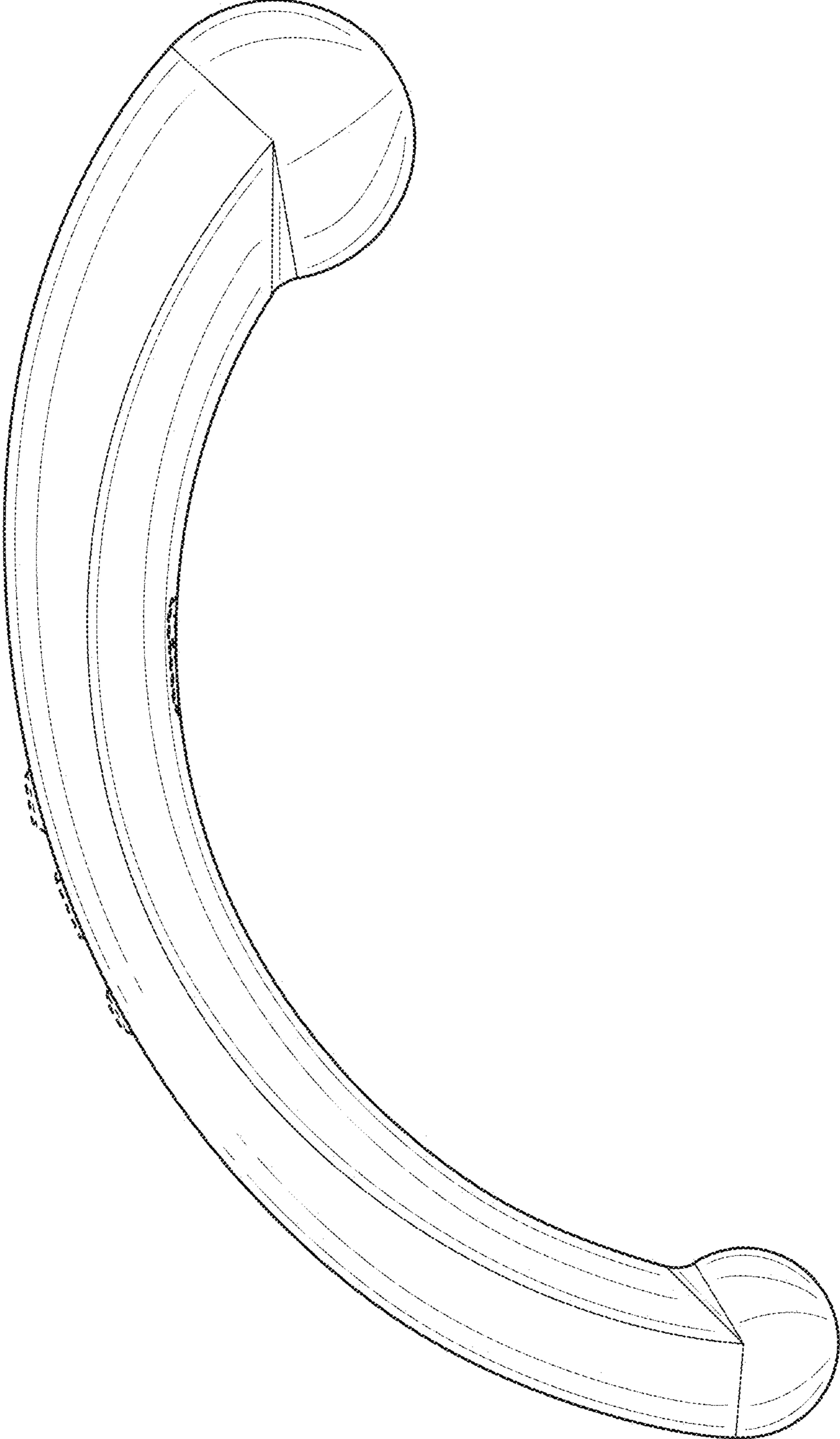


FIG. 5

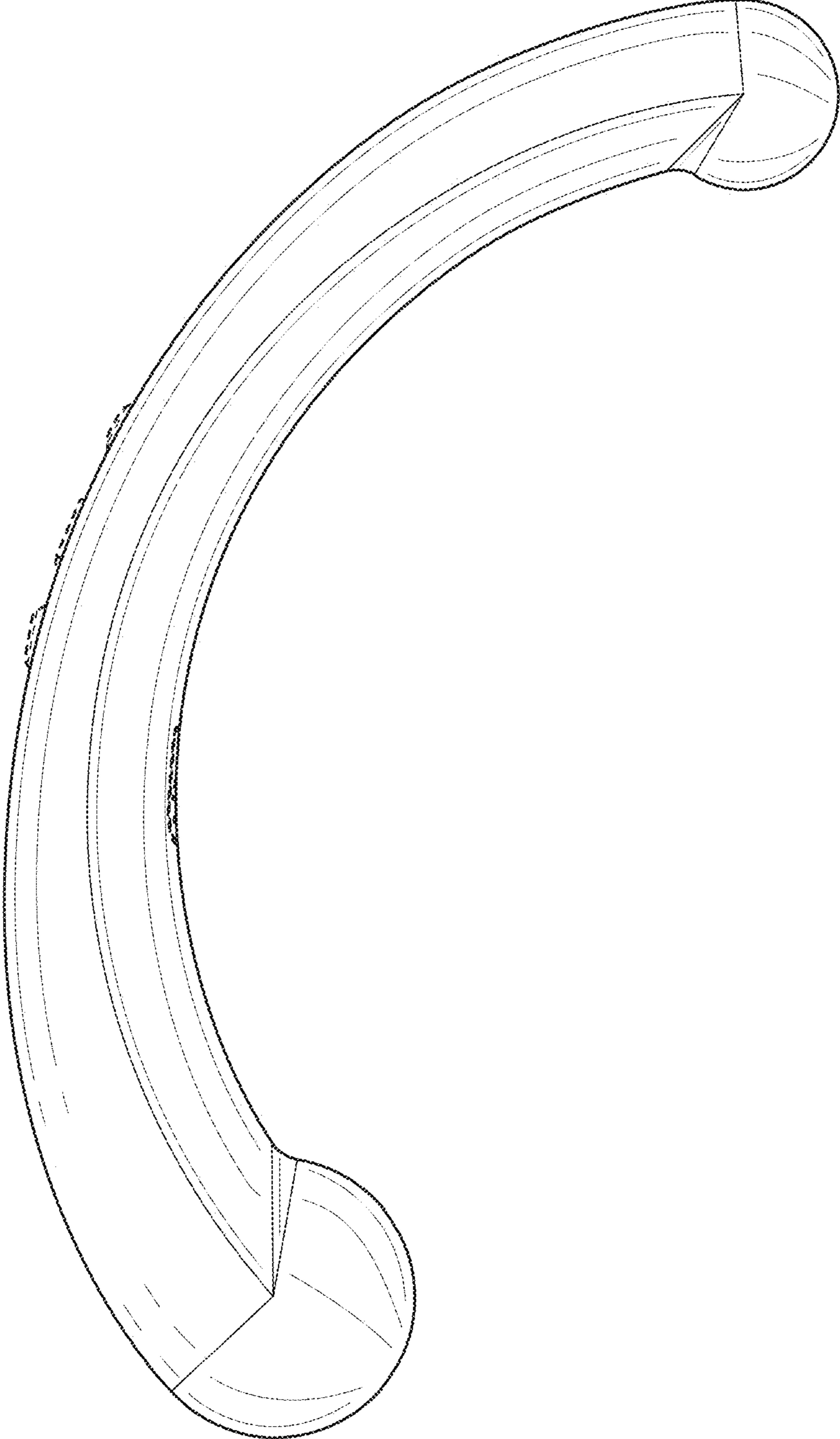


FIG. 6

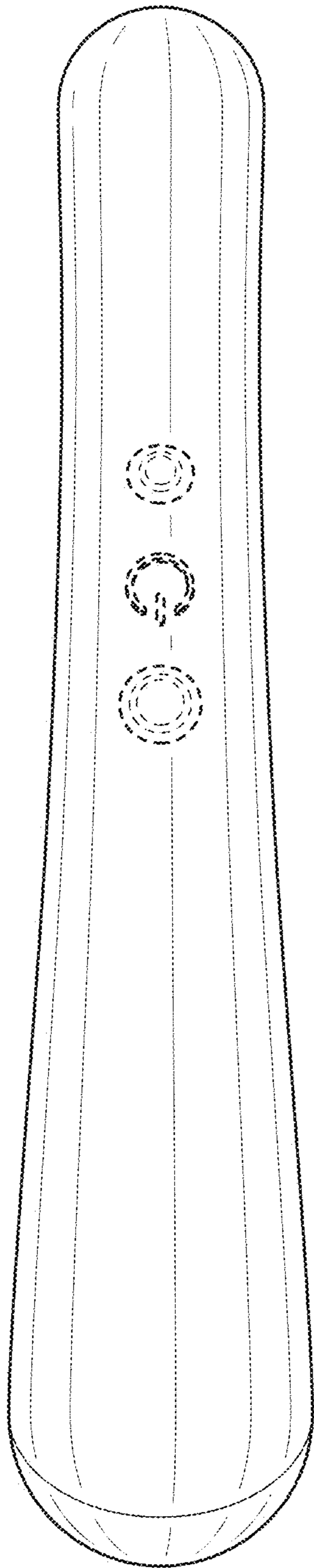


FIG. 7

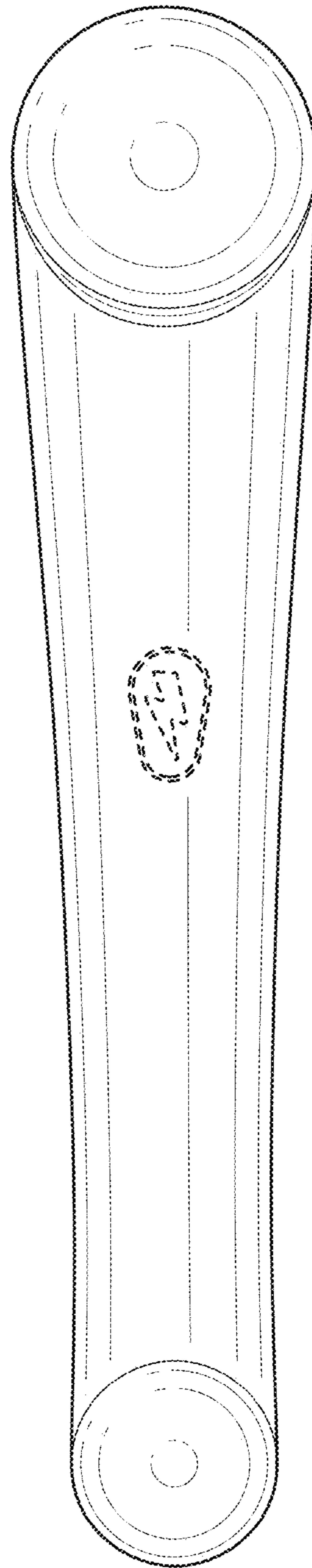


FIG. 8