



US00D964585S

(12) **United States Design Patent**
Tang et al.

(10) **Patent No.:** **US D964,585 S**
(45) **Date of Patent:** **** Sep. 20, 2022**

(54) **MASSAGE GUN**
(71) Applicant: **Zhejiang E-cozy Electronic Technology Co., Ltd.**, Zhejiang Province (CN)
(72) Inventors: **Shousheng Tang**, Zhejiang Province (CN); **Daojin Tang**, Zhejiang Province (CN); **Weibiao Ren**, Zhejiang Province (CN)

D650,077 S * 12/2011 Becker D24/138
D657,464 S * 4/2012 Becker D24/138
D796,037 S * 8/2017 Becker D24/133
D866,748 S * 11/2019 Khabiri D24/129
D900,329 S * 10/2020 Xu D24/215
D918,411 S * 5/2021 Xu D24/215
D924,424 S * 7/2021 Wang D24/215
D932,045 S * 9/2021 Shen D24/215
D949,411 S * 4/2022 Chen D24/215
2019/0175434 A1 * 6/2019 Zhang A61H 15/0085

(73) Assignee: **Zhejiang E-cozy Electronic Technology Co., Ltd.**, Zhejiang Province (CN)

(**) Term: **15 Years**

(21) Appl. No.: **29/751,562**

(22) Filed: **Sep. 22, 2020**

(30) **Foreign Application Priority Data**

Aug. 12, 2020 (CN) 202030457039.2

(51) **LOC (13) Cl.** **28-03**

(52) **U.S. Cl.**
USPC **D24/215**

(58) **Field of Classification Search**
USPC D24/215, 200, 211, 212, 213, 214, 133, D24/107, 231, 184; D8/14.1, 61; D28/12, 13
CPC A61H 15/00; A61H 15/0092; A61H 15/0078; A61H 15/0085; A61H 2015/0007; A61H 2015/0042; A61H 2201/0153; A61H 7/00; A61H 7/003; A61H 7/004; A61H 7/005; A61H 9/00; A61H 2205/06

See application file for complete search history.

(56) **References Cited**

U.S. PATENT DOCUMENTS

D314,126 S * 1/1991 Moore D8/67
D403,075 S * 12/1998 Lie D24/215

OTHER PUBLICATIONS

Lexco—hot & cold massage gun. Date: Not listed. [online]. [Site visited Jun. 2, 2022]. Available from Internet URL: myer.com.au/p/litmus-lab-hot-cold-massage-gun (Year: NA).*

(Continued)

Primary Examiner — Susan Bennett Hattan

Assistant Examiner — Landon Thomas Cassell

(74) *Attorney, Agent, or Firm* — Bay State IP, LLC

(57) **CLAIM**

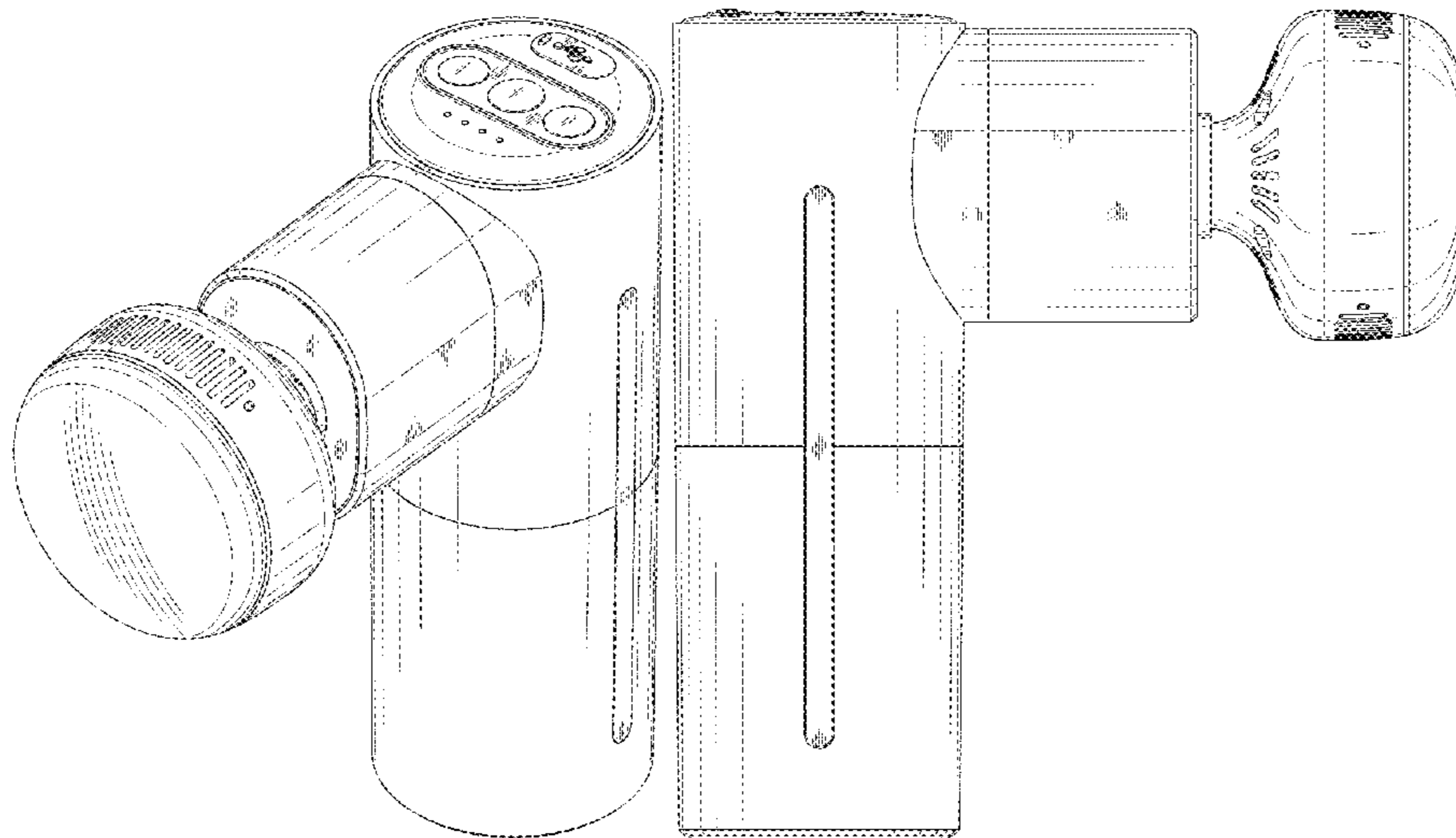
The ornamental design for a massage gun, as shown and described.

DESCRIPTION

FIG. 1 is a front perspective view showing my new design; FIG. 2 is a right side view thereof; FIG. 3 is a left side view thereof; FIG. 4 is a front view thereof; FIG. 5 is a back view thereof; FIG. 6 is a top view thereof; FIG. 7 is a bottom view thereof; and, FIG. 8 is a back bottom perspective view.

The broken lines in the drawings depict portions of the massage gun that form no part of the claimed design.

1 Claim, 8 Drawing Sheets



(56)

References Cited

OTHER PUBLICATIONS

Massage guns. (Design—© Questel) orbit.com. [Online PDF compilation of references] 16 pgs. Print Dates Range Sep. 18, 2020-Dec. 8, 2020 [Retrieved Jul. 6, 2022] <https://www.orbit.com/export/UCZAH96B/pdf4/b5fcbe5e-945c-48f7-ae13-252e659e0f36-185928.pdf> (Year: 2022).*

* cited by examiner

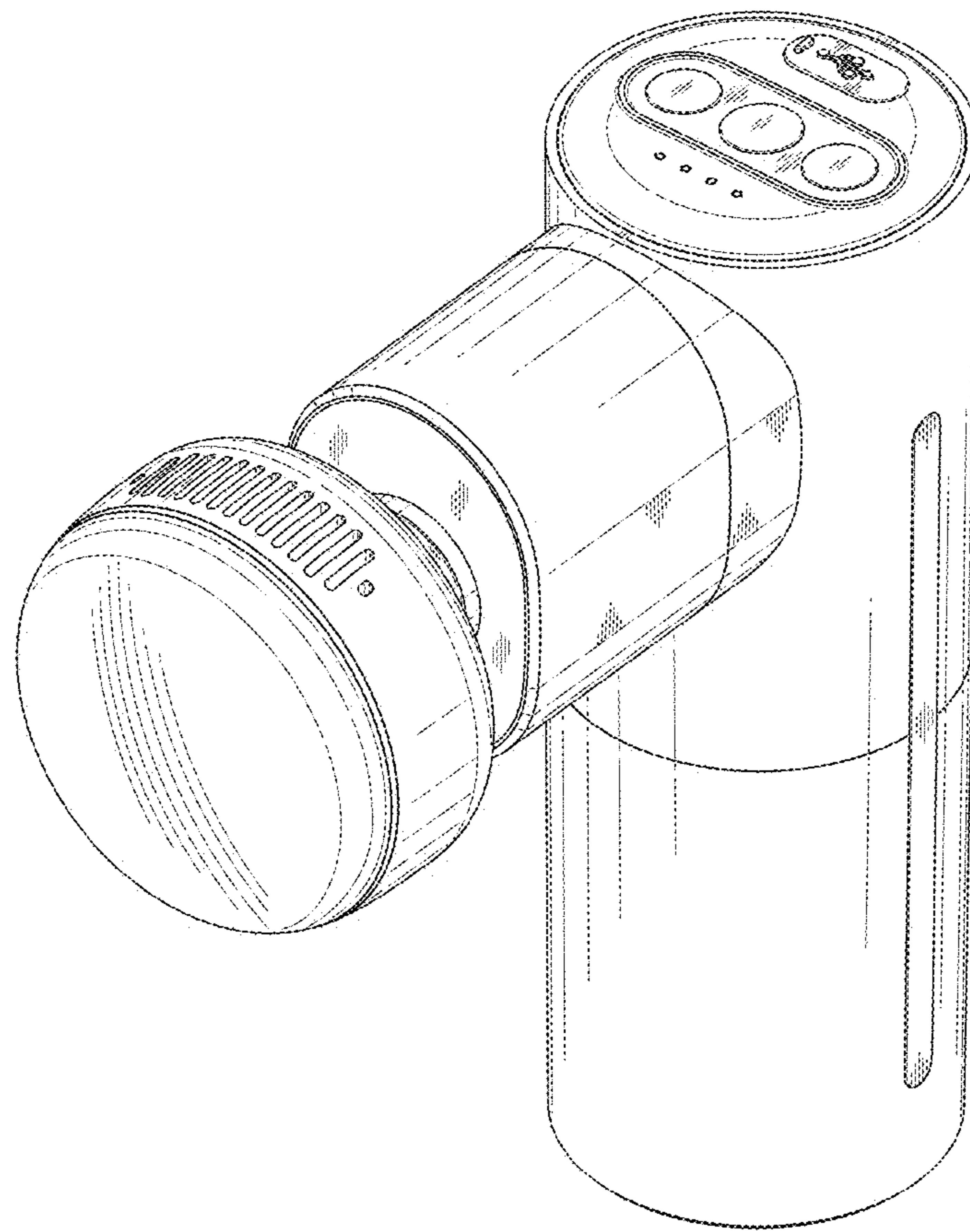


FIG.1

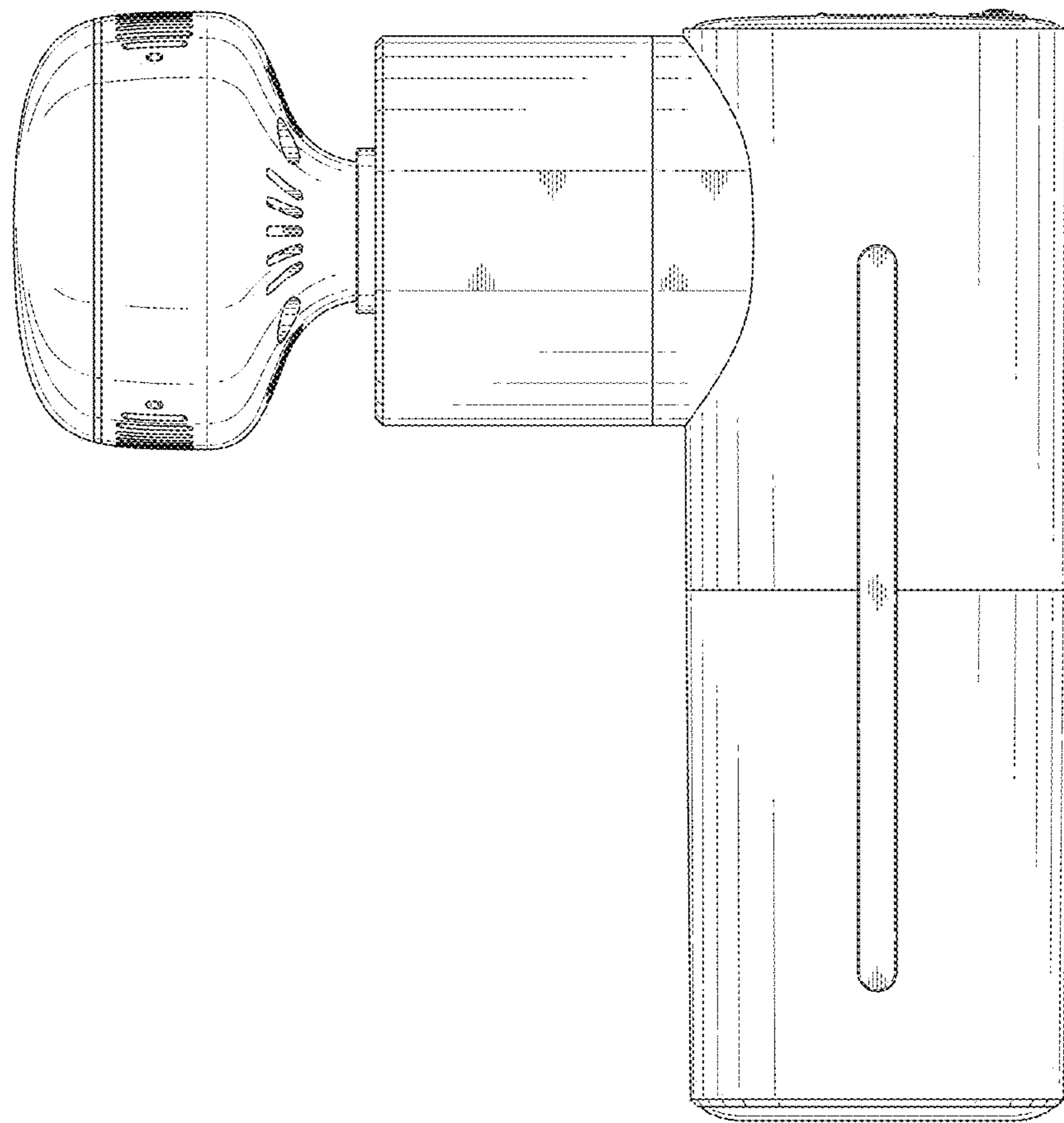


FIG.2

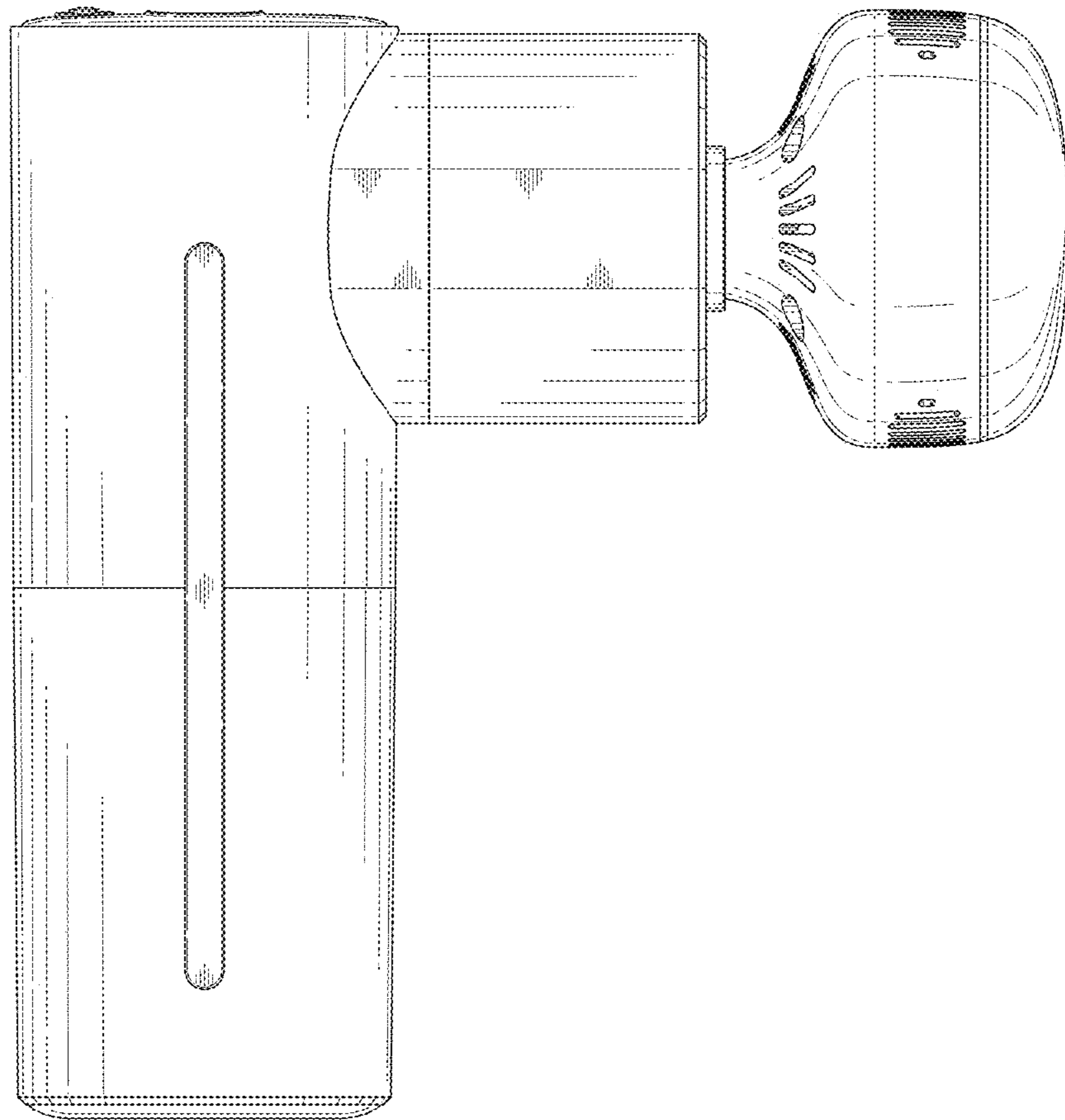


FIG.3

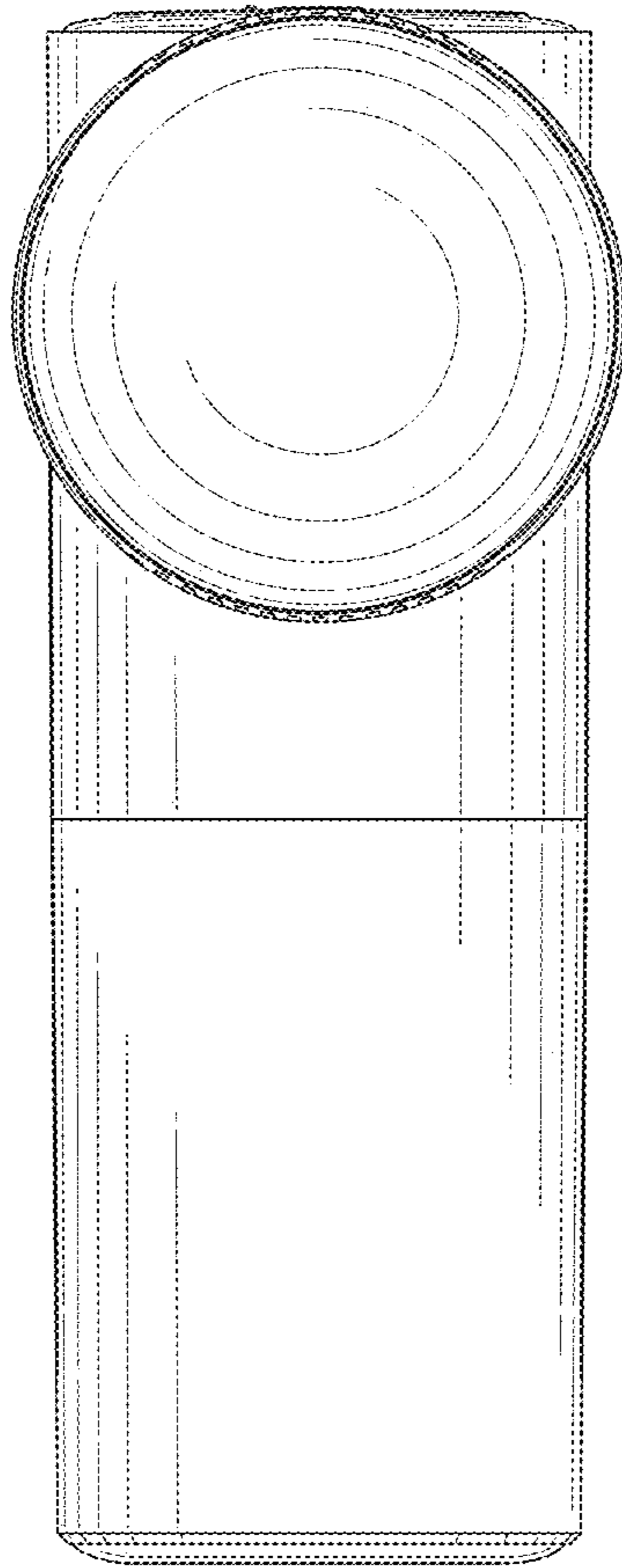


FIG.4

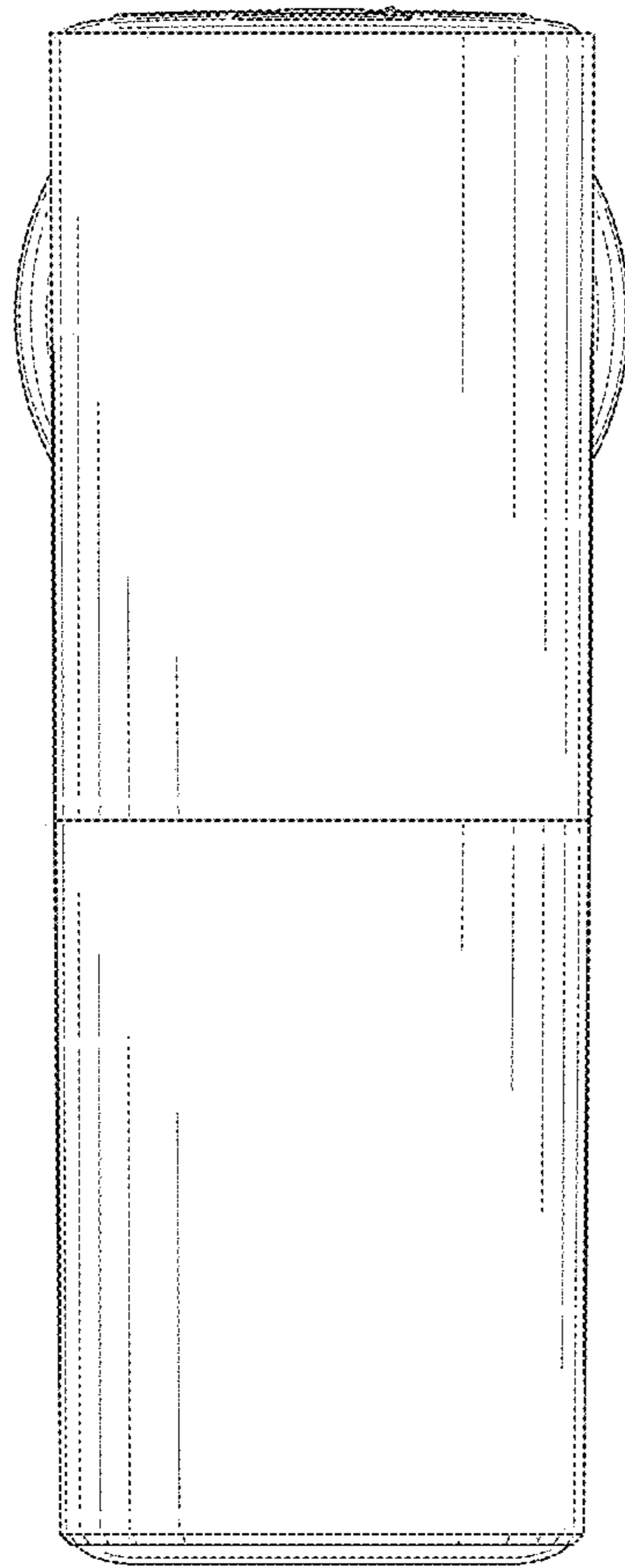


FIG.5

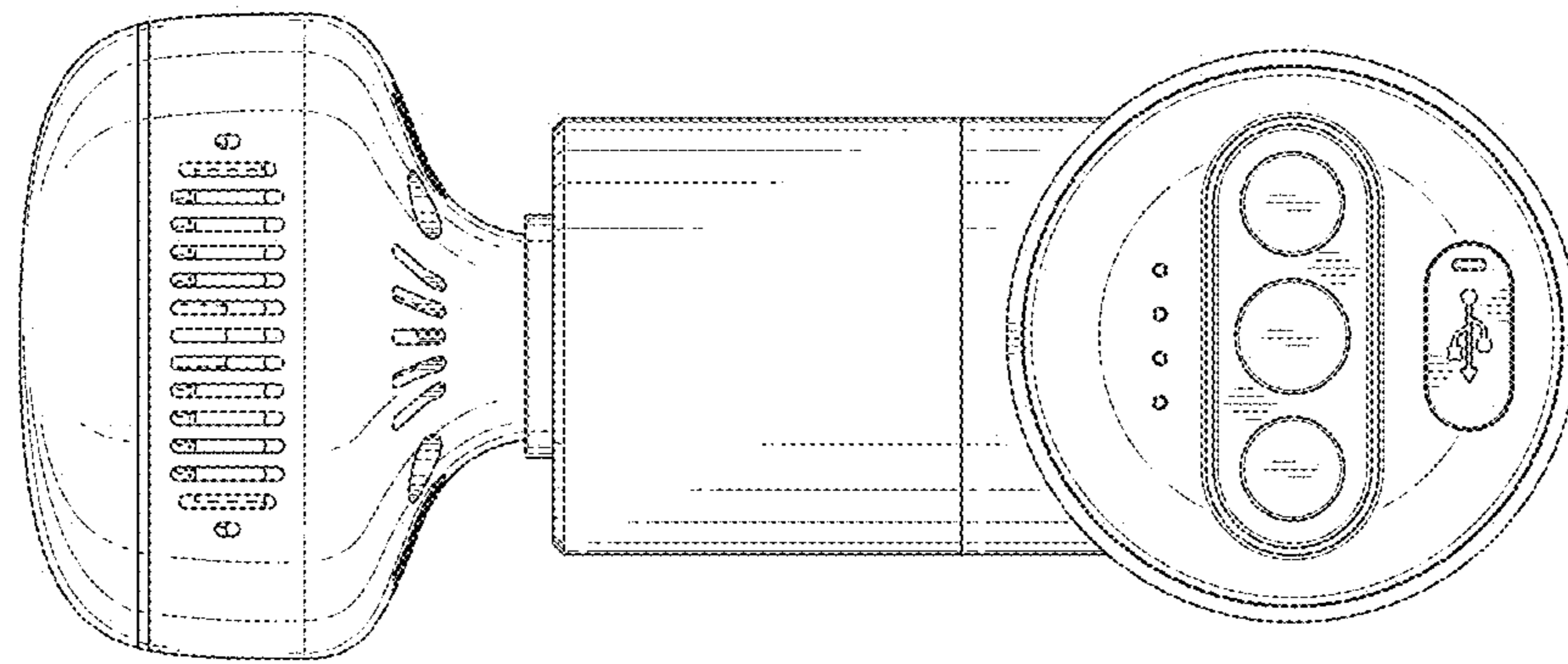


FIG.6

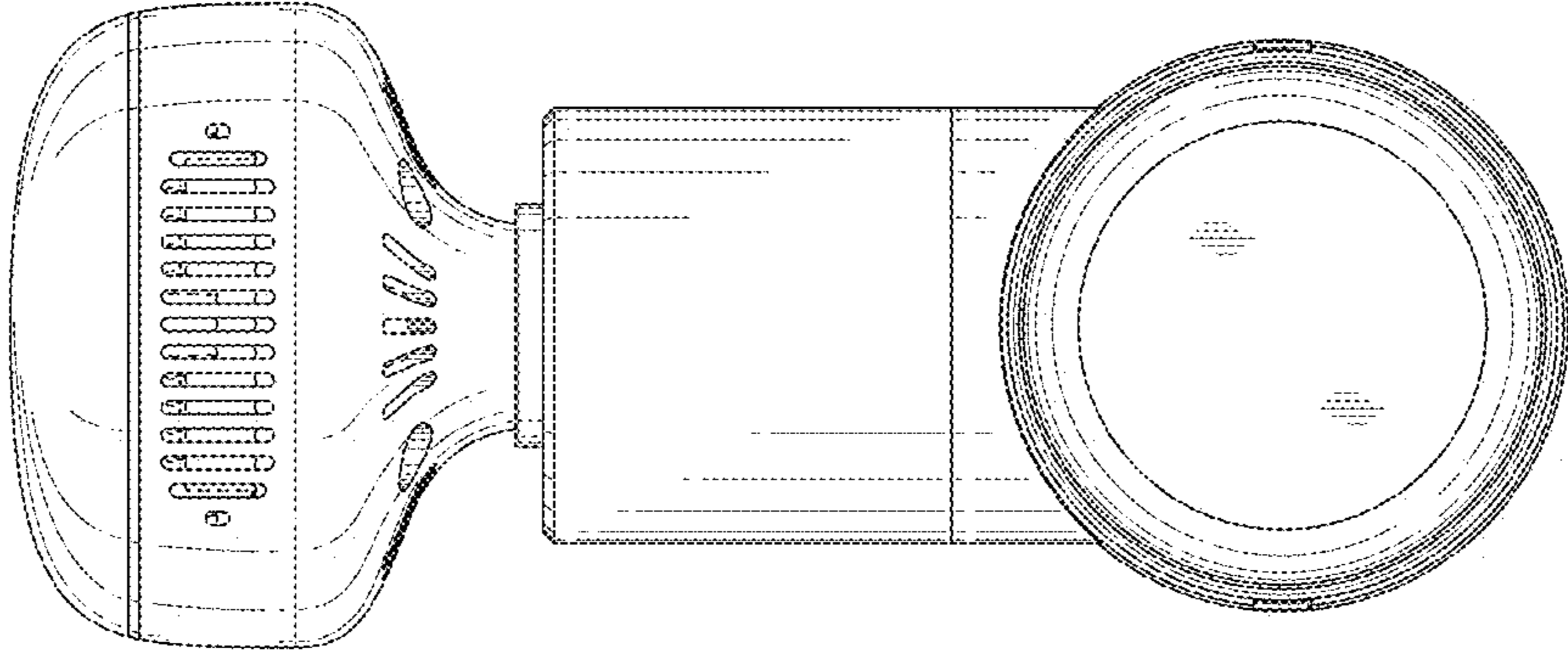


FIG.7

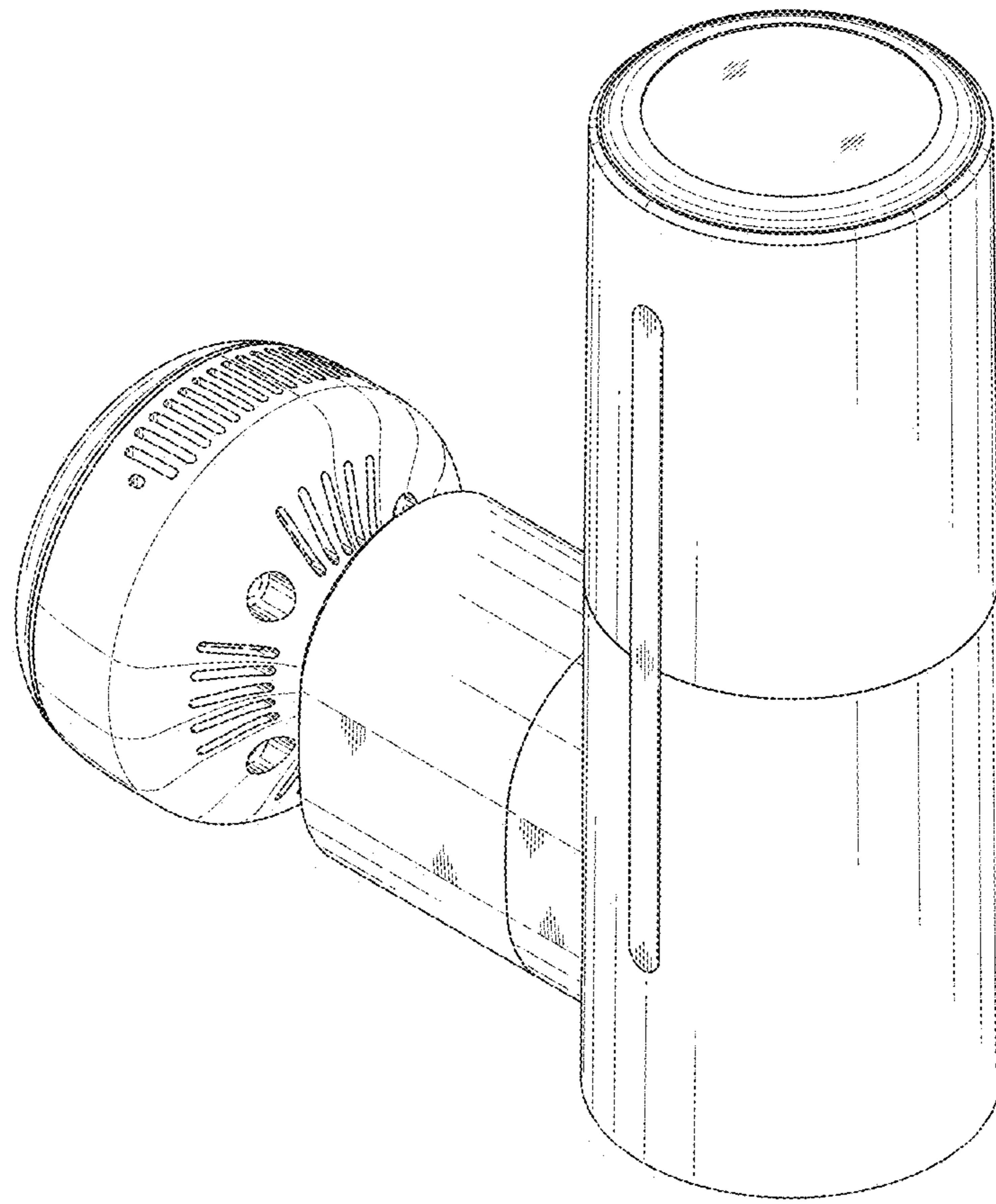


FIG.8