



US00D964584S

(12) **United States Design Patent** (10) **Patent No.:** **US D964,584 S**
Wang (45) **Date of Patent:** **** Sep. 20, 2022**

(54) **MASSAGER**

(71) Applicant: **LifePro Fitness LLC**, Staten Island, NY (US)

(72) Inventor: **Yi Wang**, Jiangsu (CN)

(73) Assignee: **LIFEPRO FITNESS LLC**, Staten Island, NY (US)

(**) Term: **15 Years**

(21) Appl. No.: **29/737,883**

(22) Filed: **Jun. 12, 2020**

(51) **LOC (13) Cl.** **28-03**

(52) **U.S. Cl.**
USPC **D24/215**

(58) **Field of Classification Search**

USPC D24/215, 200, 211, 212, 213, 214, 133, D24/188, 107, 231; D8/14.1; D28/13

CPC A61H 9/00; A61H 9/005; A61H 9/0007; A61H 15/00; A61H 2015/0007; A61H 2015/0042; A61H 23/00; A61H 23/006; A61H 2023/002; A61H 2201/0153; A61H 2201/0157; A61H 7/004; A61H 1/00
See application file for complete search history.

(56) **References Cited**

U.S. PATENT DOCUMENTS

D573,425 S *	7/2008	Post	D8/14.1
D782,732 S *	3/2017	Smith	D28/13
D884,207 S *	5/2020	Ma	D24/215
D895,831 S *	9/2020	Chen	D24/215
D903,194 S *	11/2020	Huang	D28/13
D907,229 S *	1/2021	Zhang	D24/215
D915,668 S *	4/2021	Zhou	D28/13
D916,307 S *	4/2021	Xiong	D24/215
D917,060 S *	4/2021	Hu	D24/215
D927,778 S *	8/2021	Zou	D28/13
D929,601 S *	8/2021	Lin	D24/215
2021/0113427 A1 *	4/2021	Liu	A61H 23/0254

OTHER PUBLICATIONS

LifePro—Sonic Plus. Date: Dec. 29, 2019. [online]. [Site visited Sep. 20, 2021]. Available from Internet URL: <https://www.walmart.com/ip/Lifepro-Sonic-Plus-Handheld-Percussion-Massager-Gun-Black/331913953> (Year: 2019).*

RENPHO—R3 Mini Massage Gun. Date: Mar. 18, 2020. [online]. [Site visited Sep. 20, 2021]. Available from Internet URL: <https://www.amazon.co.uk/dp/B085NTR26K/> (Year: 2020).*

Sylphim—Massage Gun. Date: Sep. 28, 2019. [online]. [Site visited Sep. 20, 2021]. Available from Internet URL: <https://www.amazon.com/dp/B07X2YPK1C/> (Year: 2019).*

Massage Guns. (Design—© Questel) orbit.com. [Online PDF compilation of references] 44 pgs. Print Dates Range Jun. 4, 2019-Apr. 14, 2020 [Retrieved Sep. 20, 2021] <https://www.orbit.com/export/UCZAH96B/pdf4/51b8c160-cf17-4755-a315-490b744dcc61-205052.pdf> (Year: 2021).*

* cited by examiner

Primary Examiner — Susan Bennett Hattan

Assistant Examiner — Landon Thomas Cassell

(74) *Attorney, Agent, or Firm* — Ostrolenk Faber LLP

(57) **CLAIM**

The ornamental design for a massager, as shown and described.

DESCRIPTION

FIG. 1 is a first perspective view of a massager showing my new design;

FIG. 2 is a second perspective view thereof;

FIG. 3 is a right side elevational view thereof, the left side being a mirror image thereof;

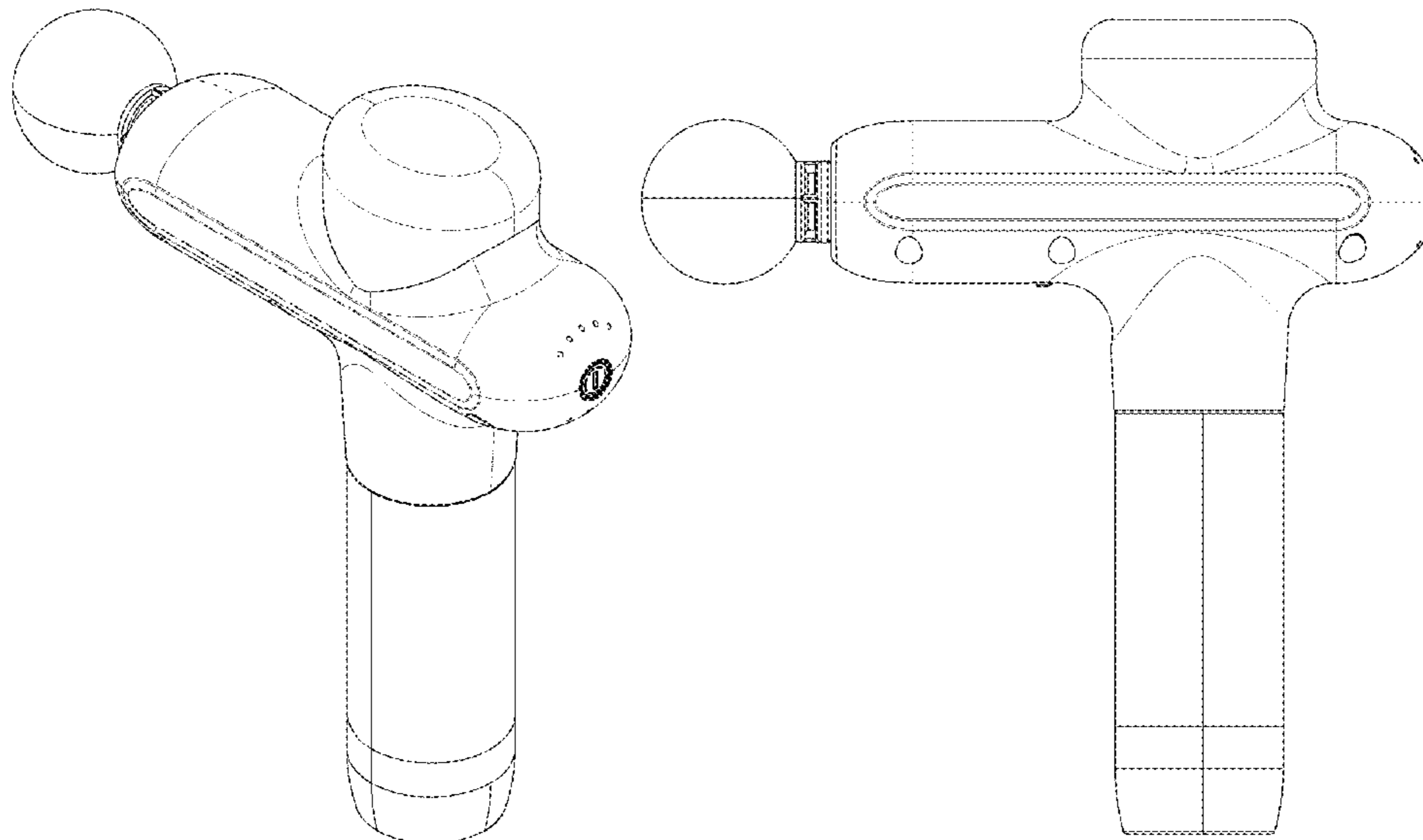
FIG. 4 is a top plan view thereof;

FIG. 5 is a bottom plan view thereof.

FIG. 6 is a front elevational view thereof; and,

FIG. 7 is a rear elevational view thereof.

1 Claim, 7 Drawing Sheets



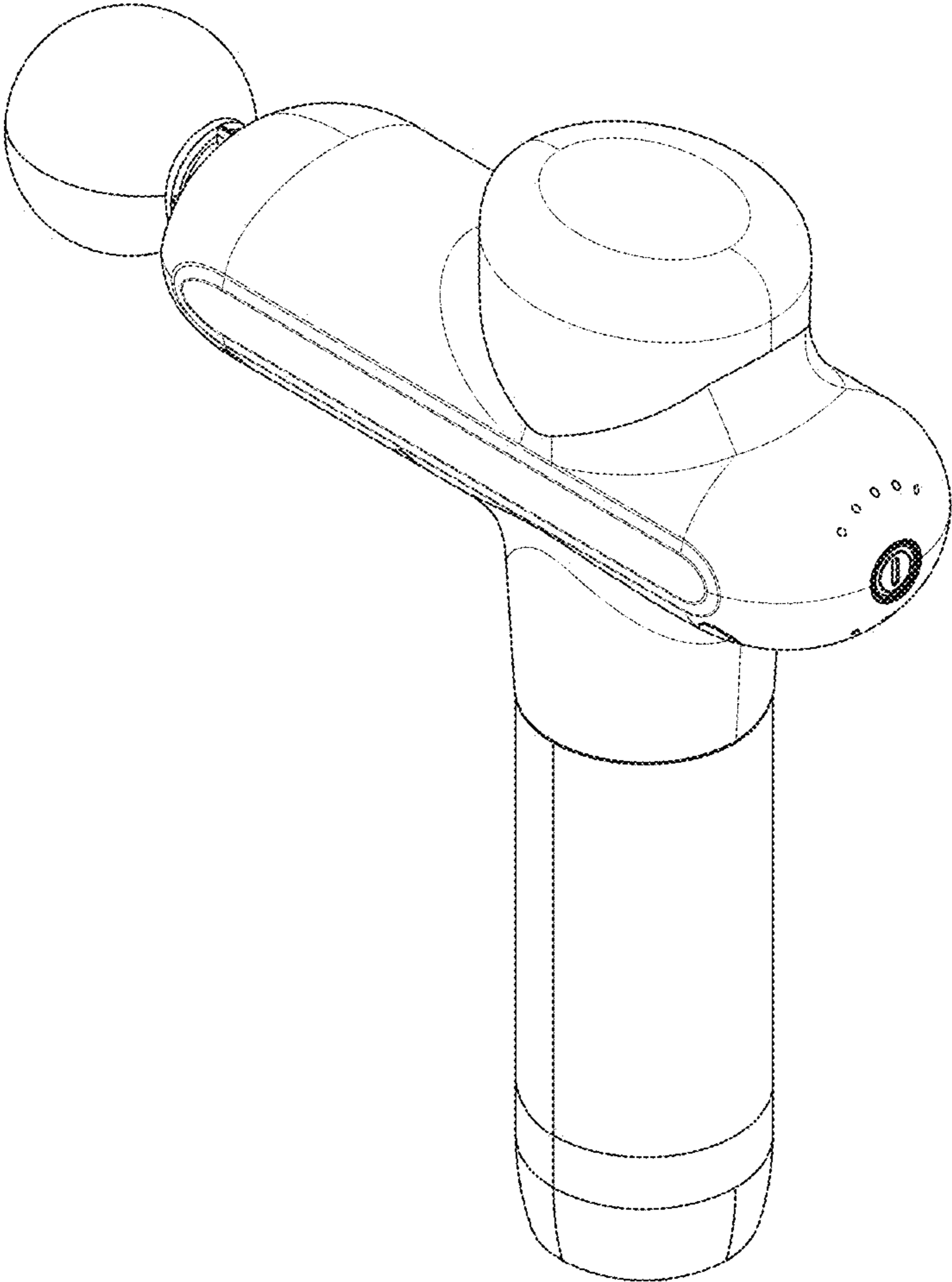


FIG. 1

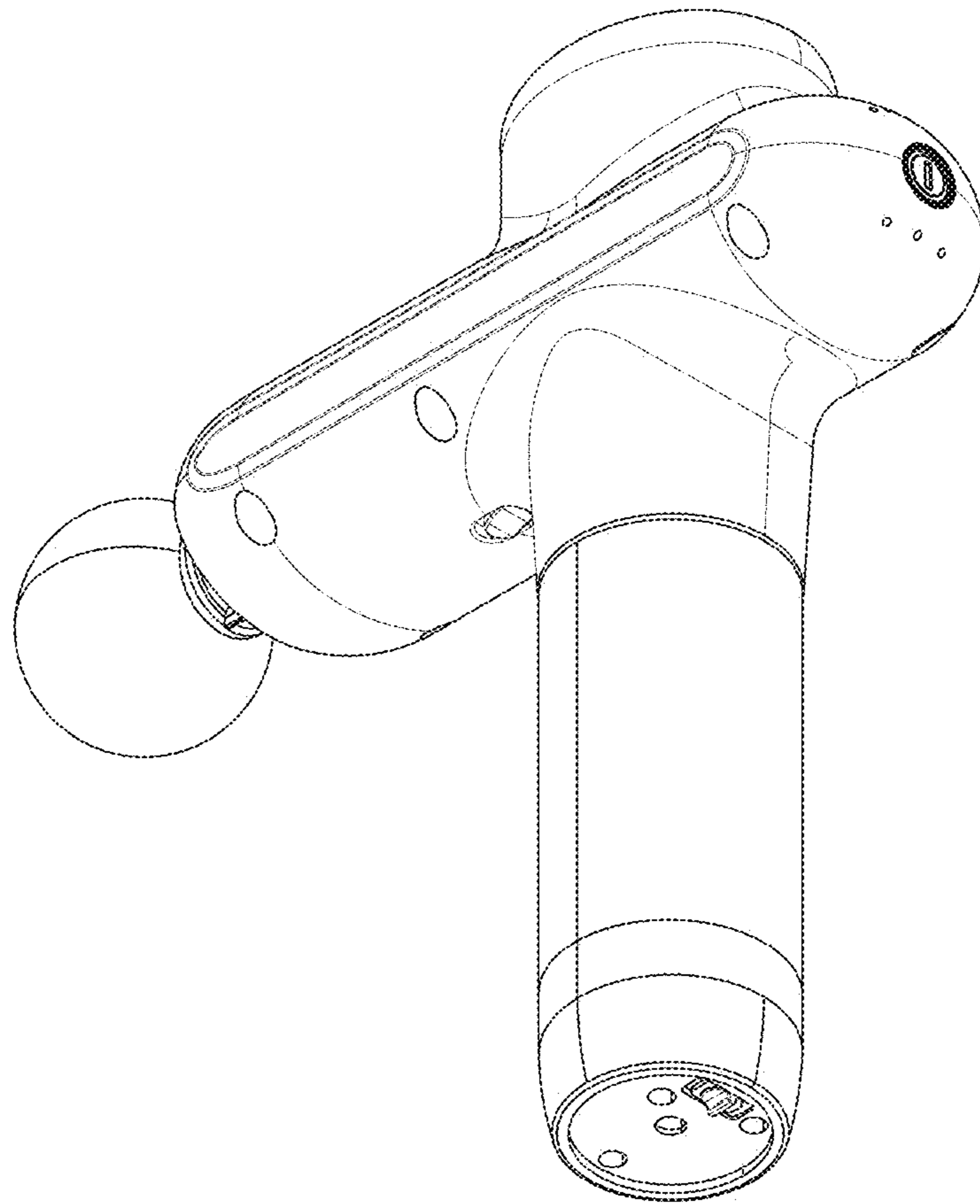


FIG. 2

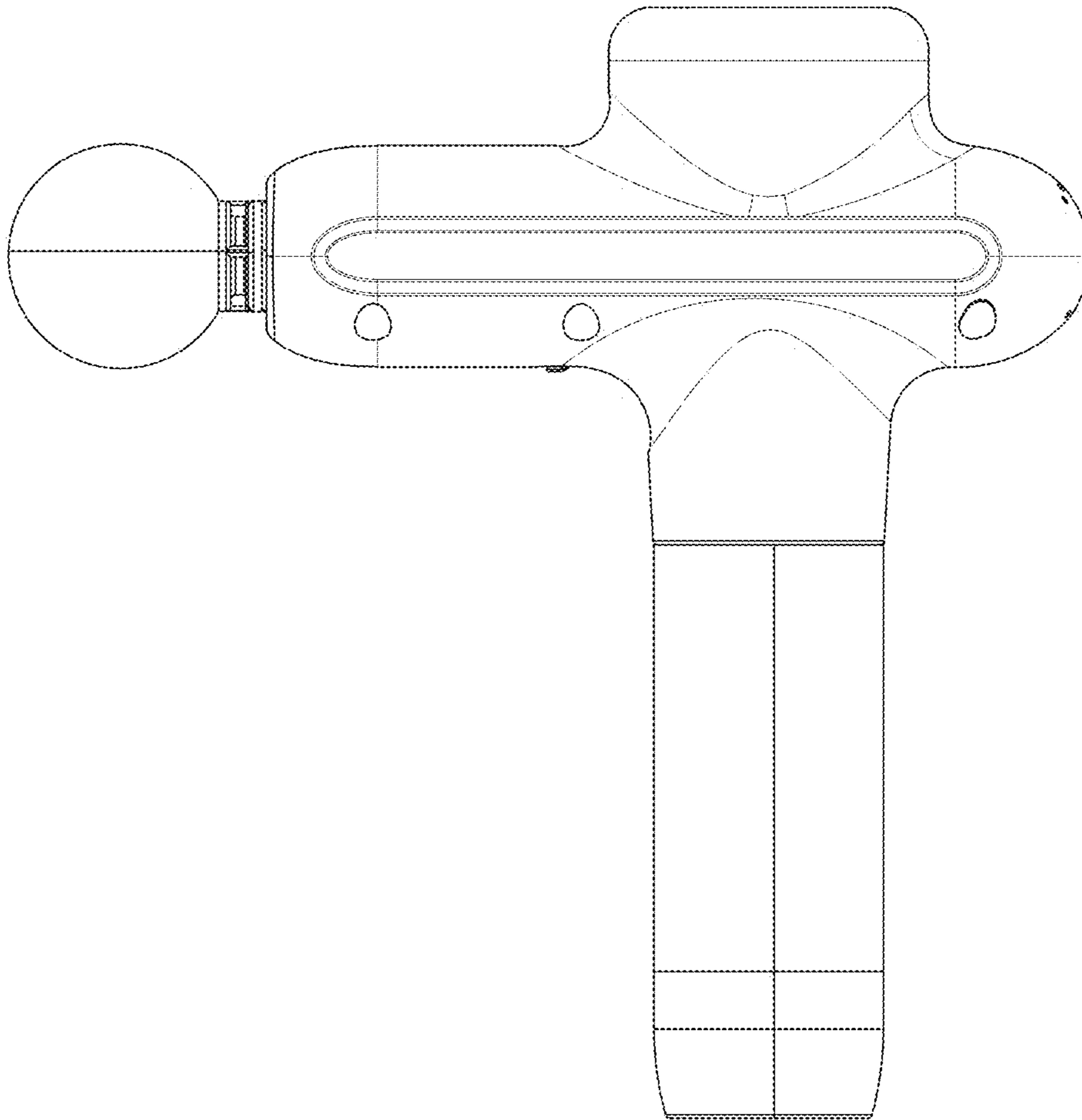


FIG. 3

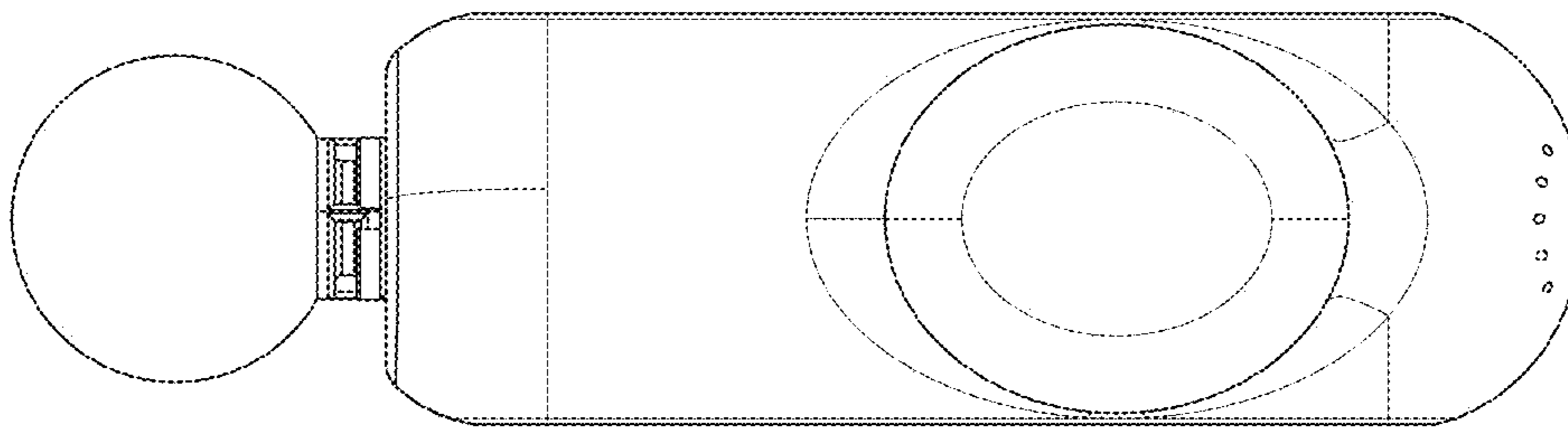


FIG. 4

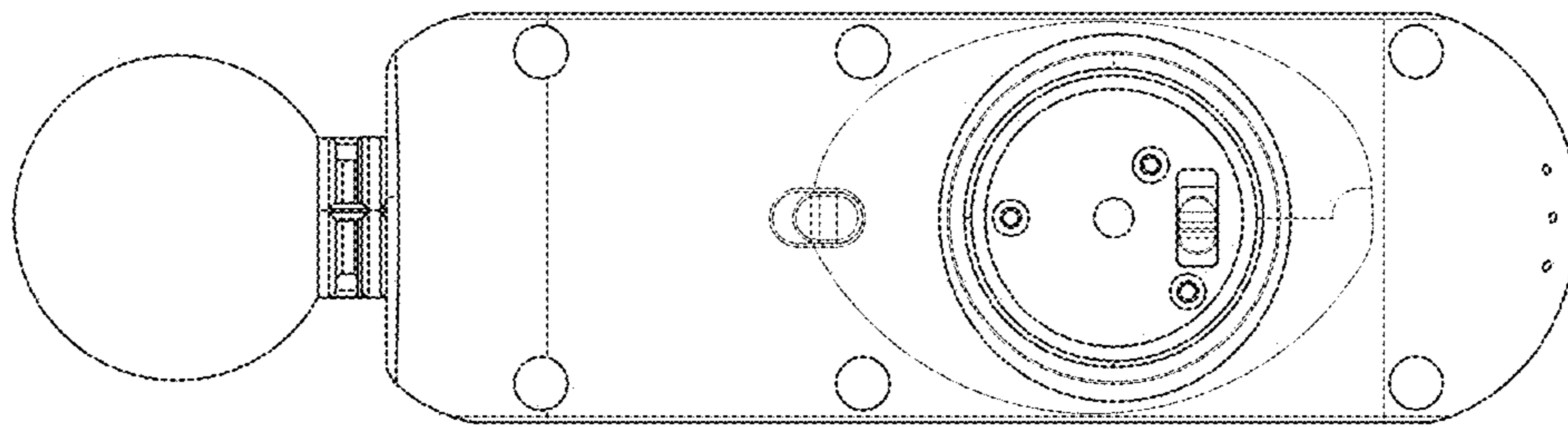


FIG. 5

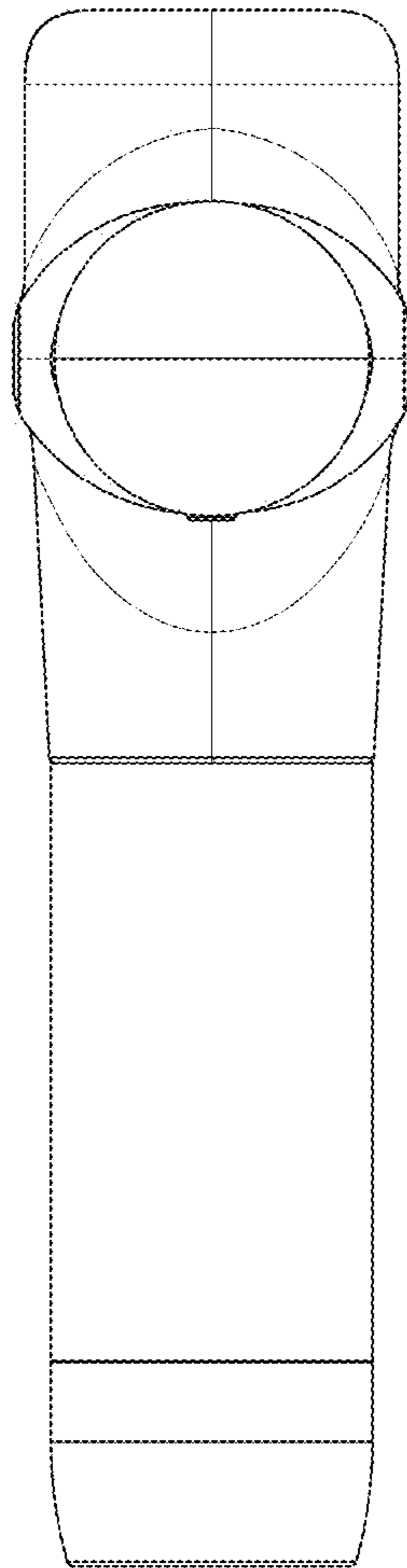


FIG. 6

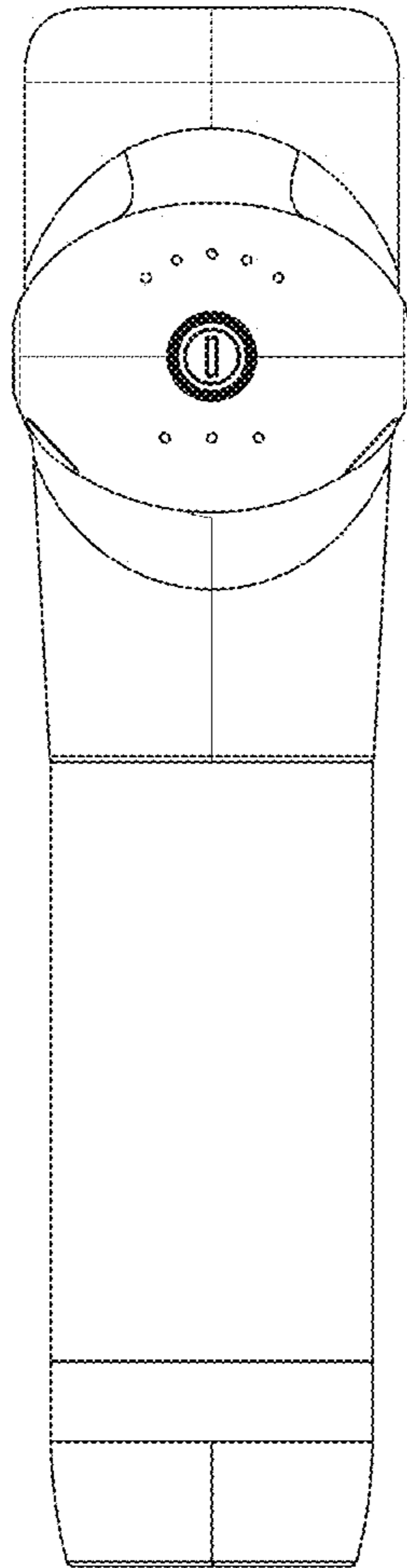


FIG. 7