



US00D964578S

(12) **United States Design Patent** (10) **Patent No.:** **US D964,578 S**  
**Wu et al.** (45) **Date of Patent:** **\*\* Sep. 20, 2022**

(54) **ELECTRICAL STIMULATION CONTROLLER**  
(71) Applicant: **GiMer Medical Co., Ltd.**, New Taipei (TW)  
(72) Inventors: **Chen-Tun Wu**, New Taipei (TW); **Chan-Yi Cheng**, New Taipei (TW); **Jian-Hao Pan**, New Taipei (TW)  
(73) Assignee: **GIMER MEDICAL CO., LTD.**, New Taipei (TW)

5,048,523 A \* 9/1991 Yamasawa ..... A61N 1/36021 607/66  
D323,561 S \* 1/1992 Bartelt ..... D24/200  
D350,206 S \* 8/1994 Mochida ..... D24/200  
6,625,494 B2 \* 9/2003 Fang ..... A61N 1/36003 607/40  
6,678,563 B2 \* 1/2004 Fang ..... A61N 1/36003 607/59  
D732,677 S \* 6/2015 Kristensen ..... D24/200  
D813,405 S \* 3/2018 Ho ..... D24/200  
D861,904 S \* 10/2019 Ho ..... D24/200

\* cited by examiner

(\*\*) Term: **15 Years**

Primary Examiner — Wan Laymon

(21) Appl. No.: **29/753,501**

(74) Attorney, Agent, or Firm — Muncy, Geissler, Olds & Lowe, P.C.

(22) Filed: **Sep. 30, 2020**

(57) **CLAIM**

(51) **LOC (13) Cl.** ..... **28-03**

The ornamental design for an electrical stimulation controller, as shown and described.

(52) **U.S. Cl.**

USPC ..... **D24/200**

(58) **Field of Classification Search**

**DESCRIPTION**

USPC ..... D24/200, 215, 185; D13/168, 162; D14/218

CPC ..... A61N 1/0456; A61N 1/06; A61N 1/36; A61N 1/36021; A61N 1/36003; A61N 1/3603; A61N 1/36071; A61N 5/0616; A61N 5/0613

See application file for complete search history.

FIG. 1 is a perspective view of an electrical stimulation controller according to our new design; FIG. 2 is a front view thereof; FIG. 3 is a rear view thereof; FIG. 4 is a left side view thereof; FIG. 5 is a right side view thereof; FIG. 6 is a top view thereof; and, FIG. 7 is a bottom view thereof.

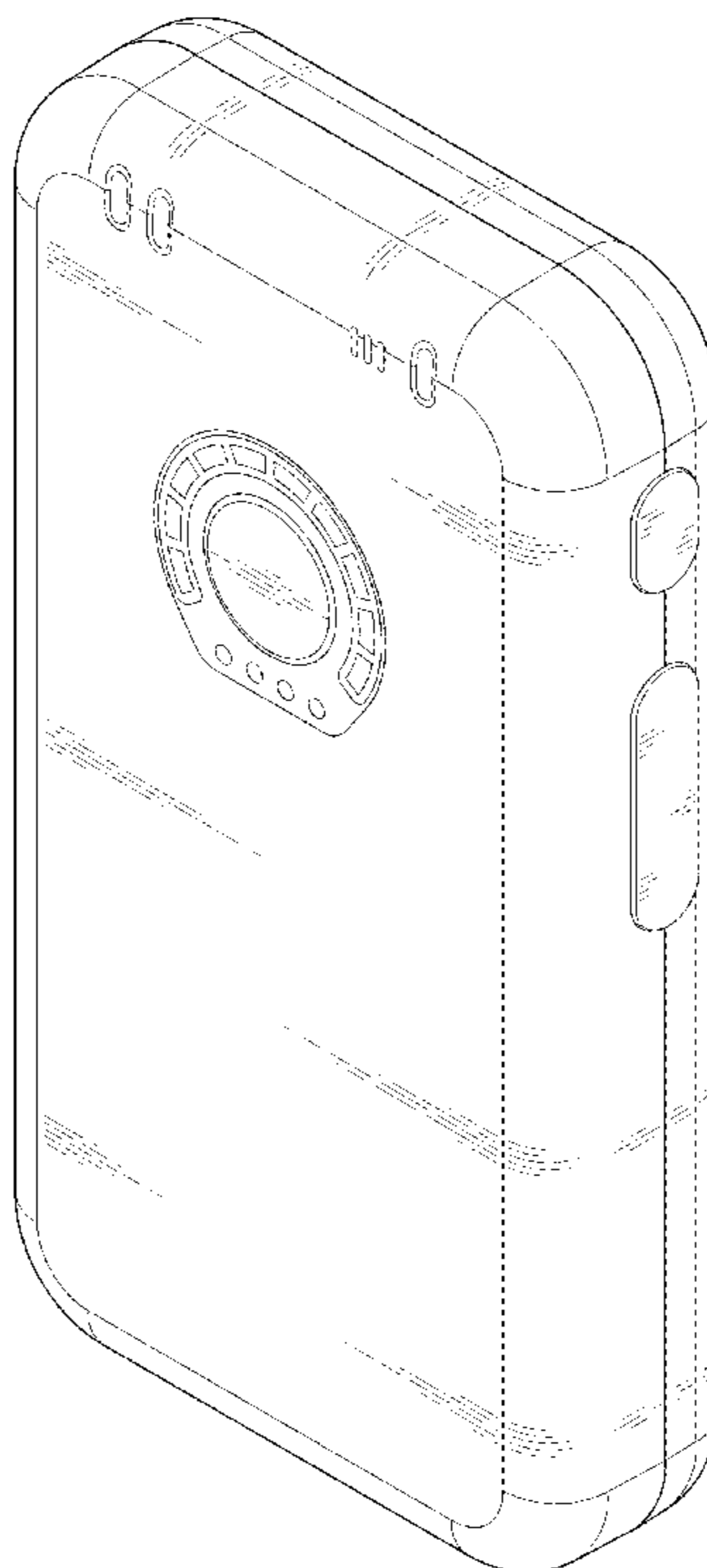
The broken line shown in FIG. 3 is included for the purpose of illustrating a portion of the electrical stimulation controller and forms no part of the claimed design.

(56) **References Cited**

U.S. PATENT DOCUMENTS

D290,095 S \* 6/1987 Montalbano ..... D24/200  
4,989,605 A \* 2/1991 Rossen ..... A61N 1/36021 607/46

**1 Claim, 5 Drawing Sheets**



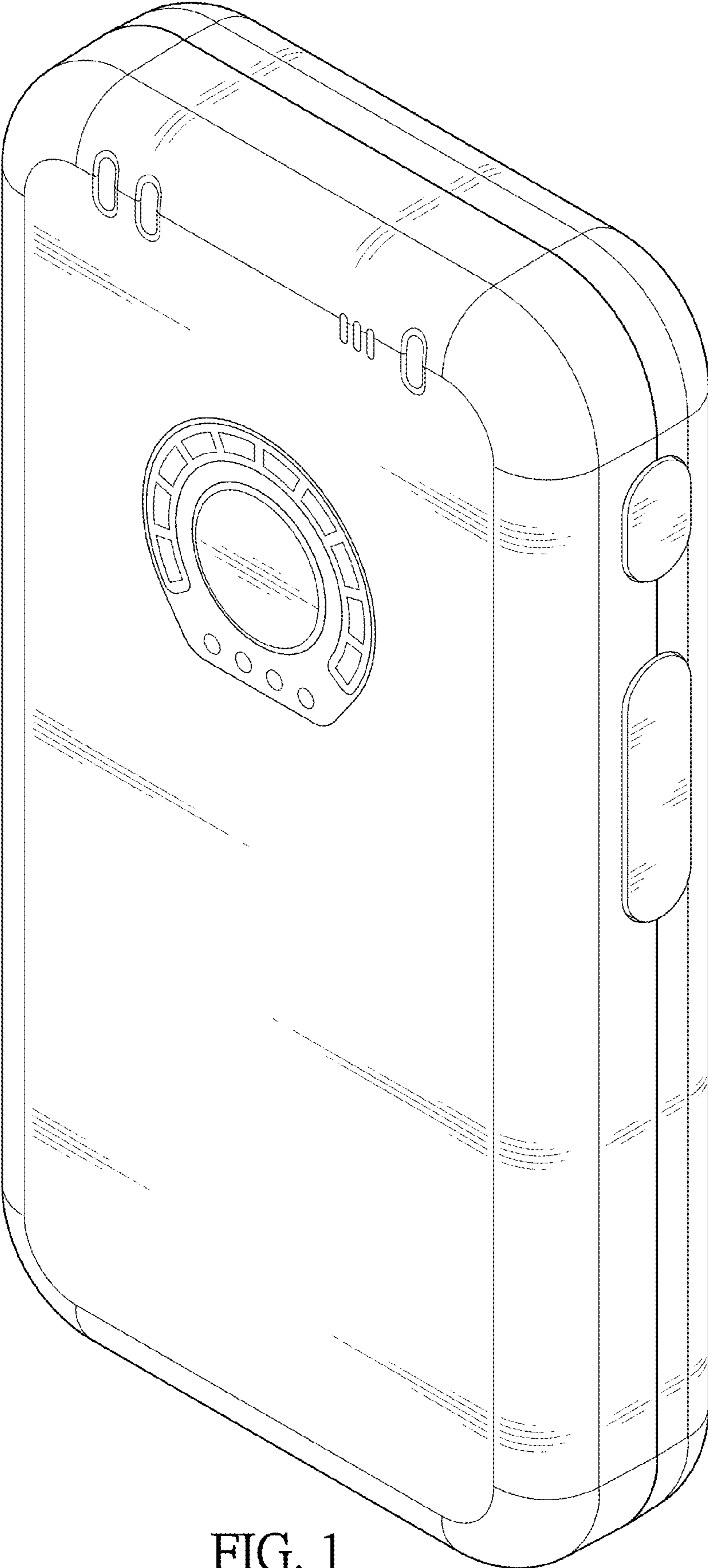


FIG. 1

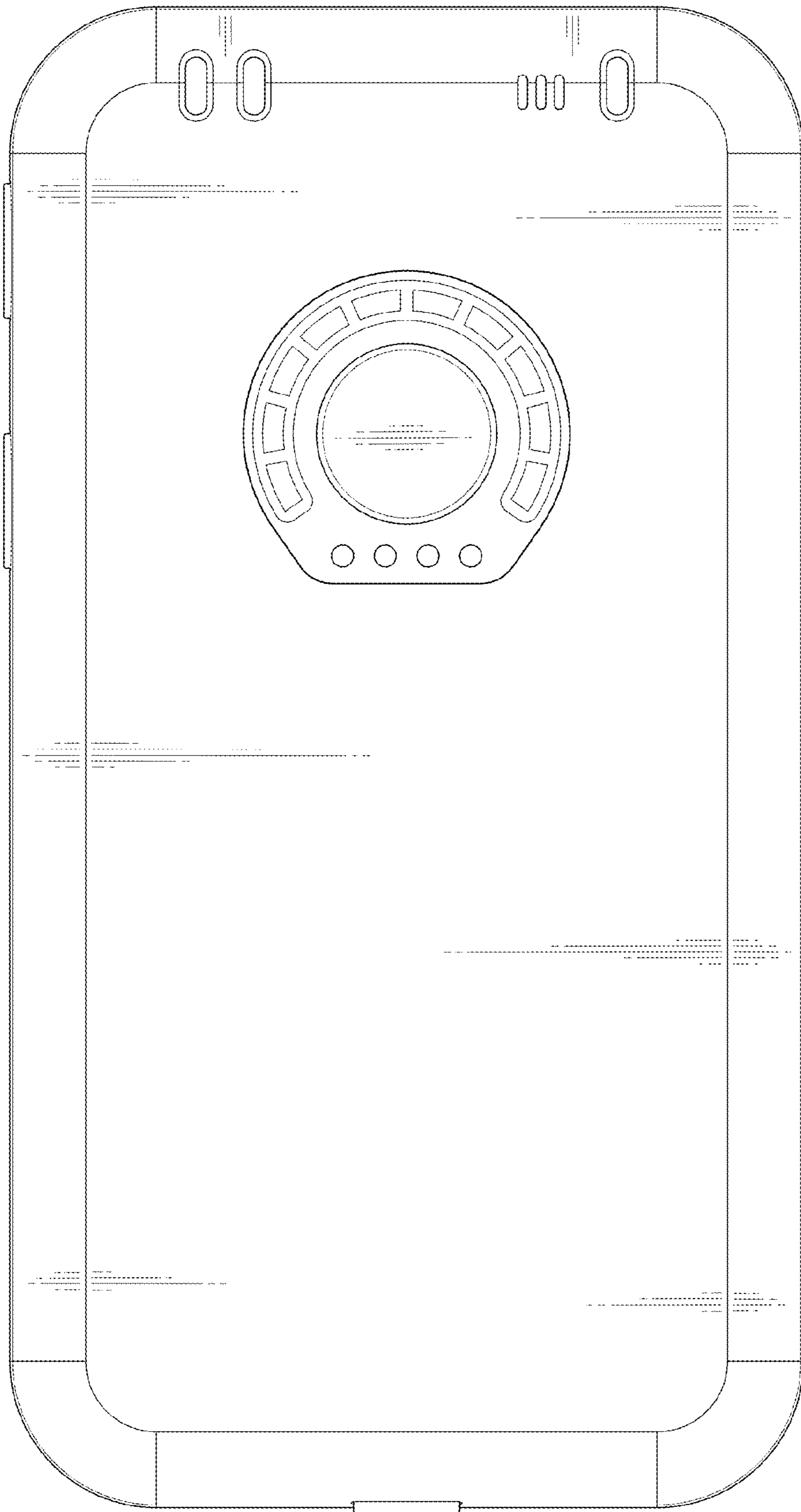


FIG. 2

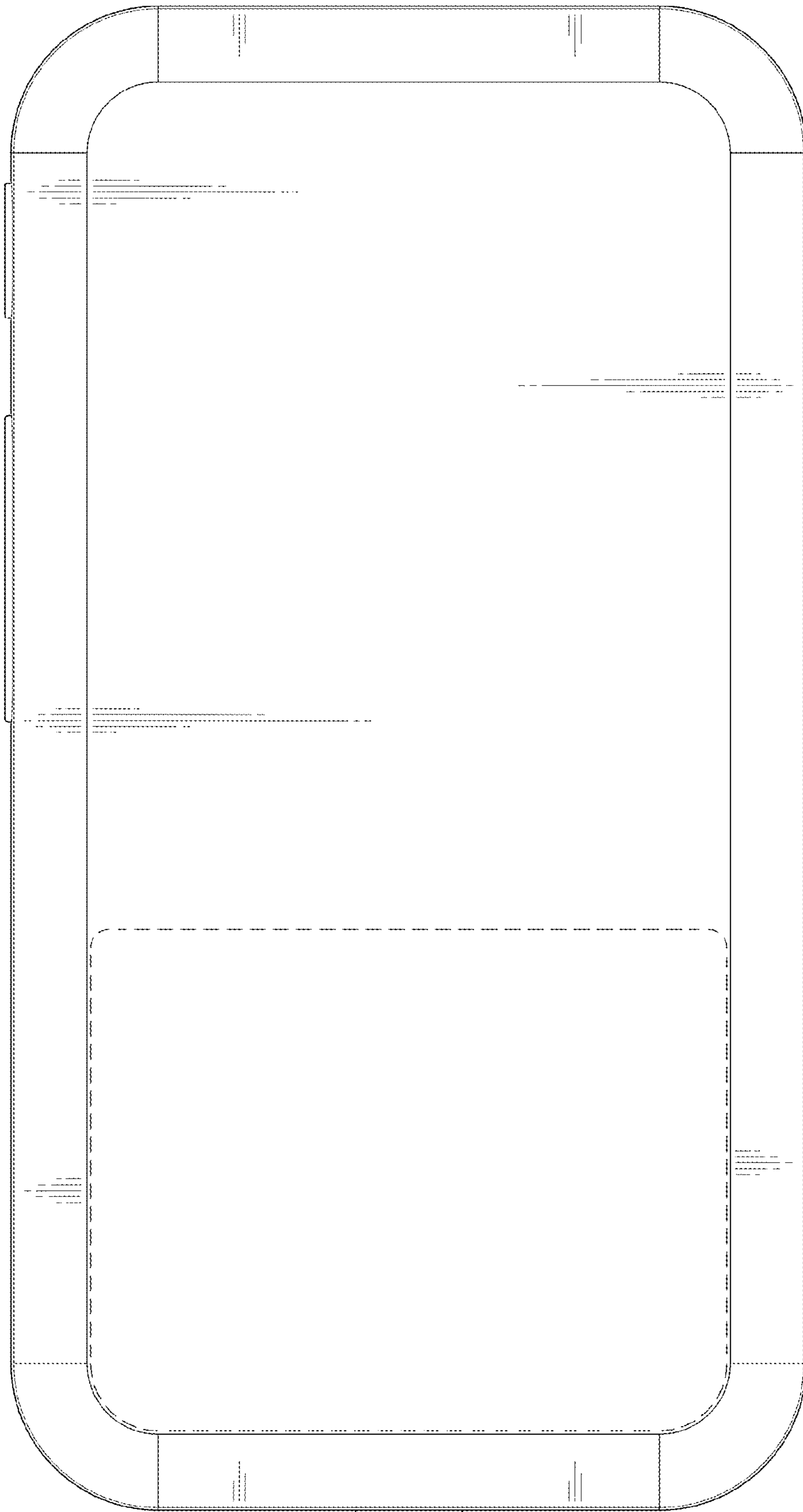


FIG. 3

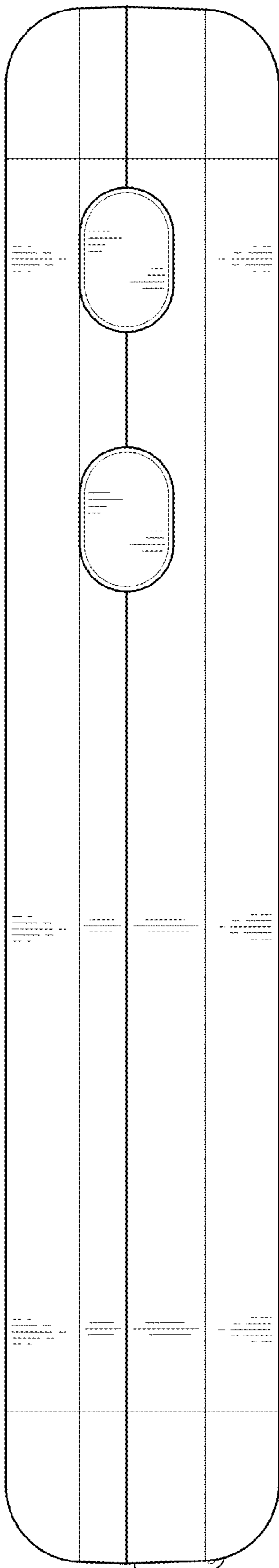


FIG. 4

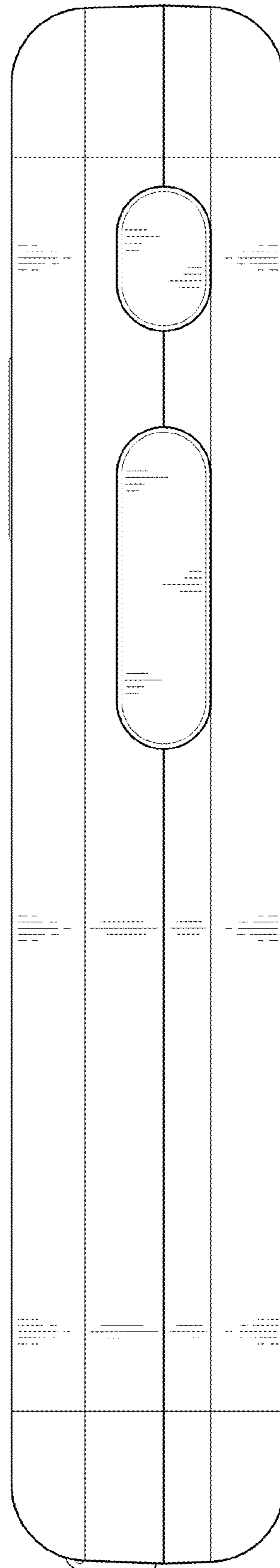


FIG. 5



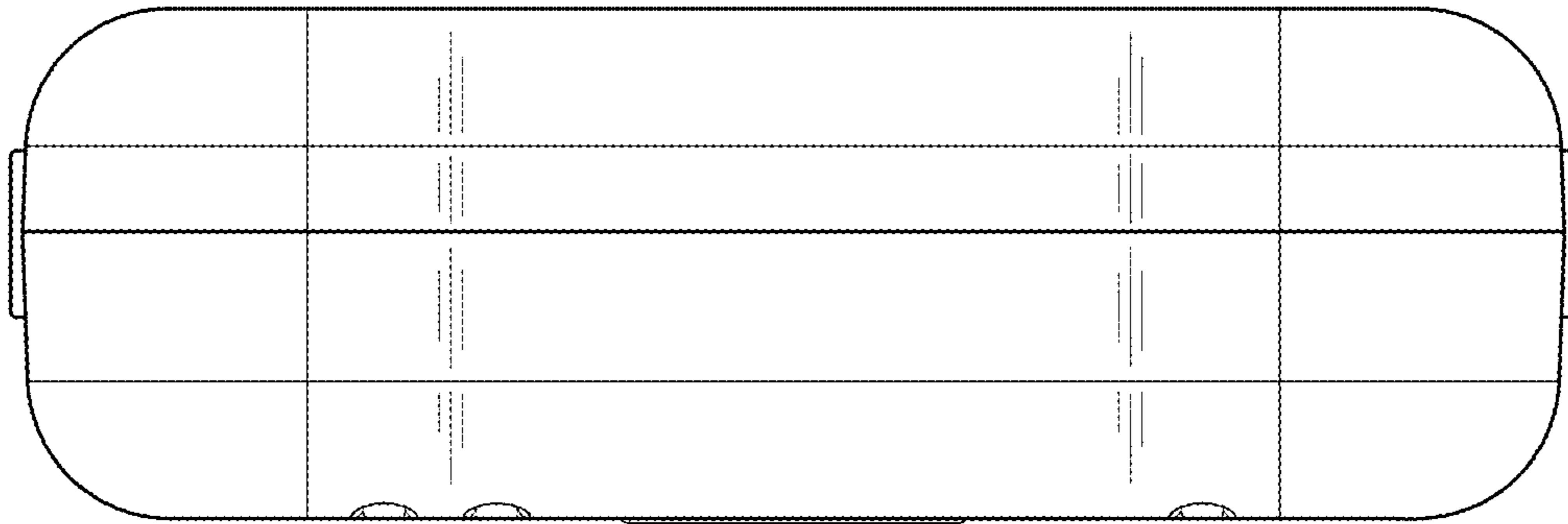


FIG. 6

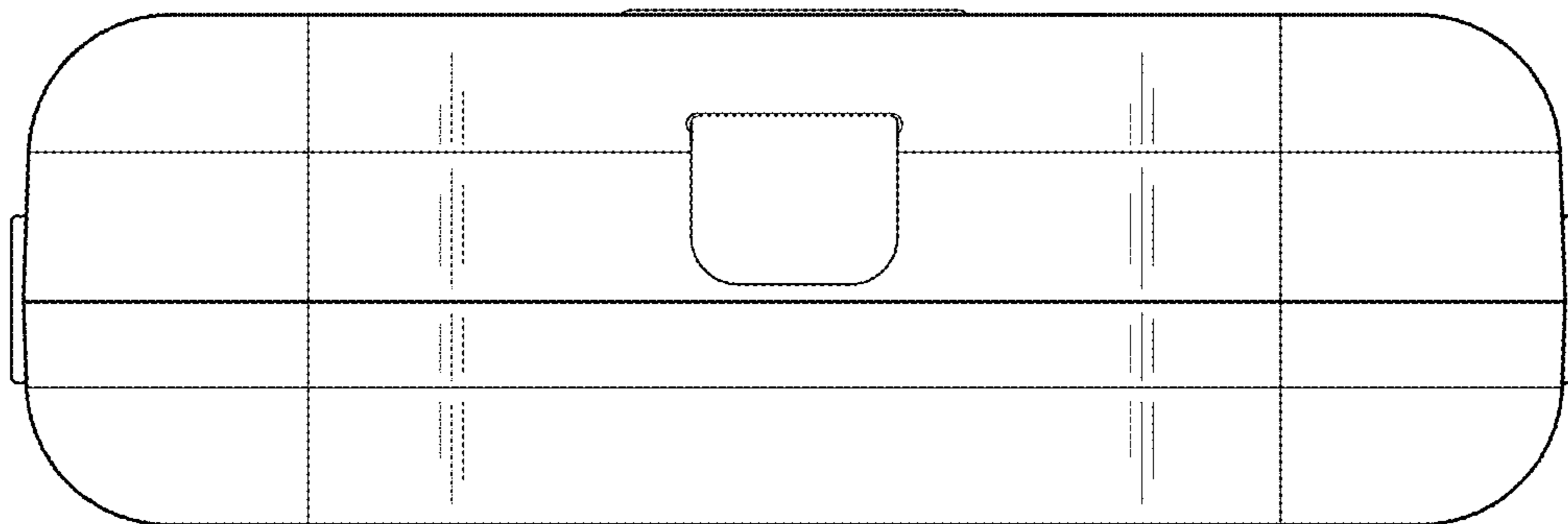


FIG. 7