



US00D964576S

(12) **United States Design Patent** (10) **Patent No.:** **US D964,576 S**
Park (45) **Date of Patent:** **** Sep. 20, 2022**

(54) **FEEDING PACIFIER**
(71) Applicant: **Amy Park**, Gyeonggi-do (KR)
(72) Inventor: **Amy Park**, Seongnam-si (KR)
(**) Term: **15 Years**
(21) Appl. No.: **35/511,909**
(22) Filed: **Nov. 24, 2020**

(80) **Hague Agreement Data**
Int. Filing Date: **Nov. 24, 2020**
Int. Reg. No.: **DM/212065**
Int. Reg. Date: **Nov. 24, 2020**
Int. Reg. Pub. Date: **May 28, 2021**

(51) **LOC (13) Cl.** **24-04**
(52) **U.S. Cl.**
USPC **D24/194**
CPC **A61J 17/001** (2015.05)
(58) **Field of Classification Search**
USPC D24/193-195, 115, 117, 214
CPC A61J 17/001; A61J 11/005; A61J 7/0053;
A61J 11/0005
See application file for complete search history.

(56) **References Cited**
U.S. PATENT DOCUMENTS
3,610,248 A * 10/1971 Davidson A61J 7/0053
606/236
D305,459 S * 1/1990 Smith D24/196
D380,270 S * 6/1997 Rekar D24/194
D391,642 S * 3/1998 Fountain D24/194
5,904,140 A * 5/1999 McGoogan A61M 15/08
128/202.16
D476,085 S * 6/2003 Dumont D24/194
7,001,357 B2 * 2/2006 Berry, Sr. A61J 17/00
606/234
D565,738 S * 4/2008 Rohrig D24/194
D655,818 S * 3/2012 Roehrig D24/194
D658,772 S * 5/2012 Roehrig D24/194

D671,224 S * 11/2012 Paul D24/194
8,545,439 B2 * 10/2013 Lo A61J 9/08
215/11.1
8,545,537 B2 * 10/2013 Murphy Matro A61J 17/001
606/234
8,597,235 B2 * 12/2013 Lo A61J 9/00
215/11.1
D702,360 S * 4/2014 Shenker D24/197
D714,950 S * 10/2014 Lo D7/602
D749,897 S * 2/2016 Zicafoose D7/392.1
D755,399 S * 5/2016 Jones D24/194
D767,152 S * 9/2016 Hakim D24/194
9,452,109 B2 * 9/2016 Sheikh A61J 9/001
D794,811 S * 8/2017 Thomas A61J 17/101
D24/194
9,770,394 B1 * 9/2017 Velazquez A61J 17/109
D805,647 S * 12/2017 Jones D24/194
9,901,517 B2 * 2/2018 Lo A61J 9/005
D836,786 S * 12/2018 Laskowski D24/194
D837,990 S * 1/2019 Burnett D24/194

(Continued)

Primary Examiner — Richard E Chilcot

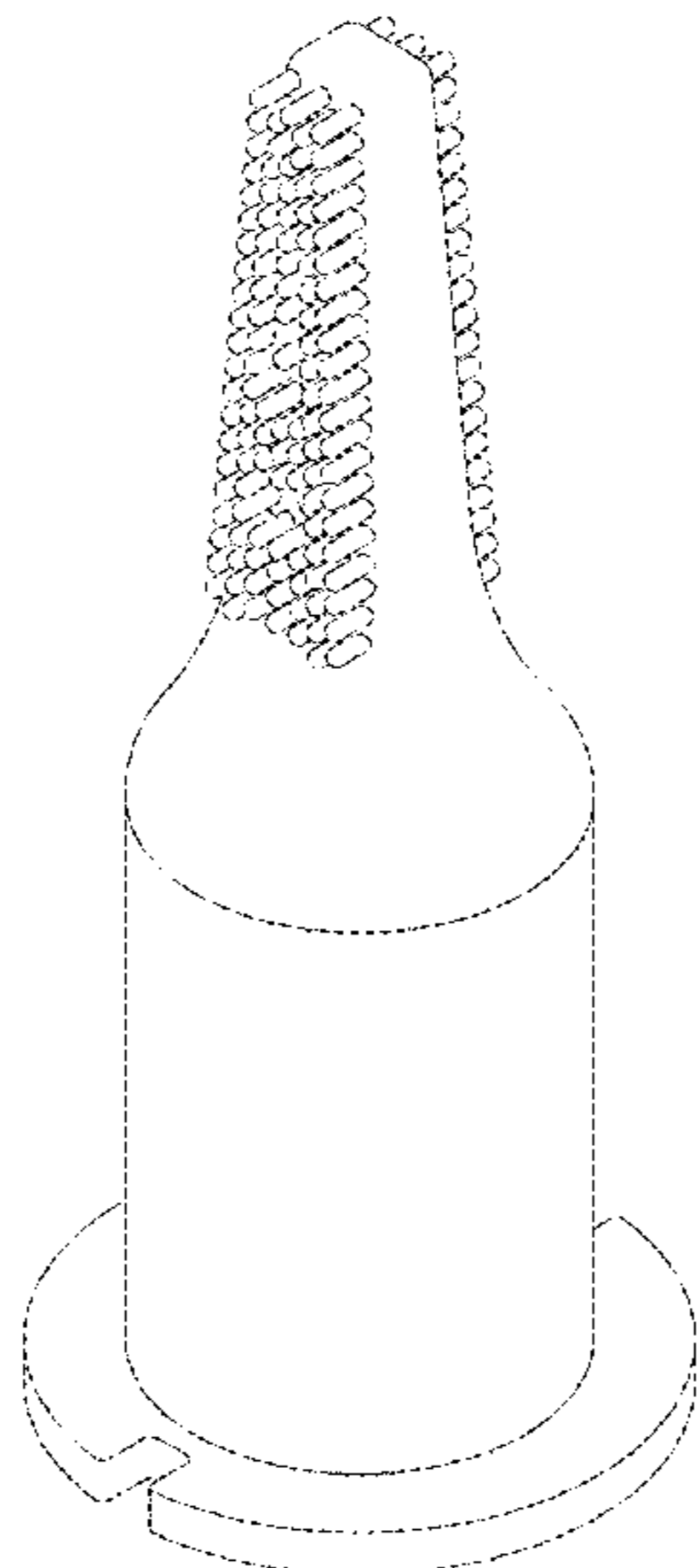
(57) **CLAIM**

The ornamental design for a feeding pacifier, as shown and described.

DESCRIPTION

1. Feeding pacifier
1.1 : Perspective
1.2 : Front
1.3 : Back
1.4 : Left
1.5 : Right
1.6 : Top
1.7 : Bottom
1.8 : Perspective
1.9 : Cross-sectional view taken along the dashed line AA in reproduction 1.6;
1.10 : Perspective view showing the feeding pacifier in use.
The broken lines in the drawings form no part of the claimed design.

1 Claim, 10 Drawing Sheets



(56)

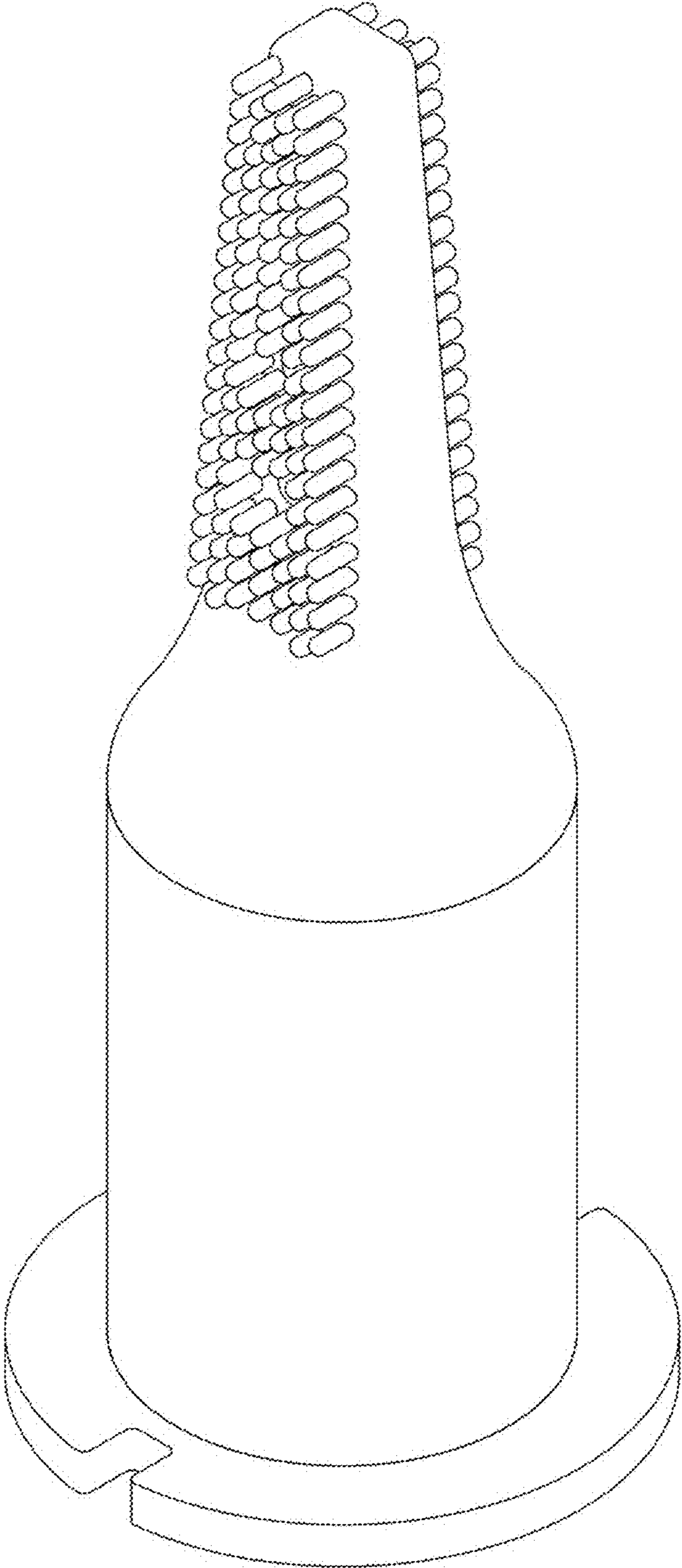
References Cited

U.S. PATENT DOCUMENTS

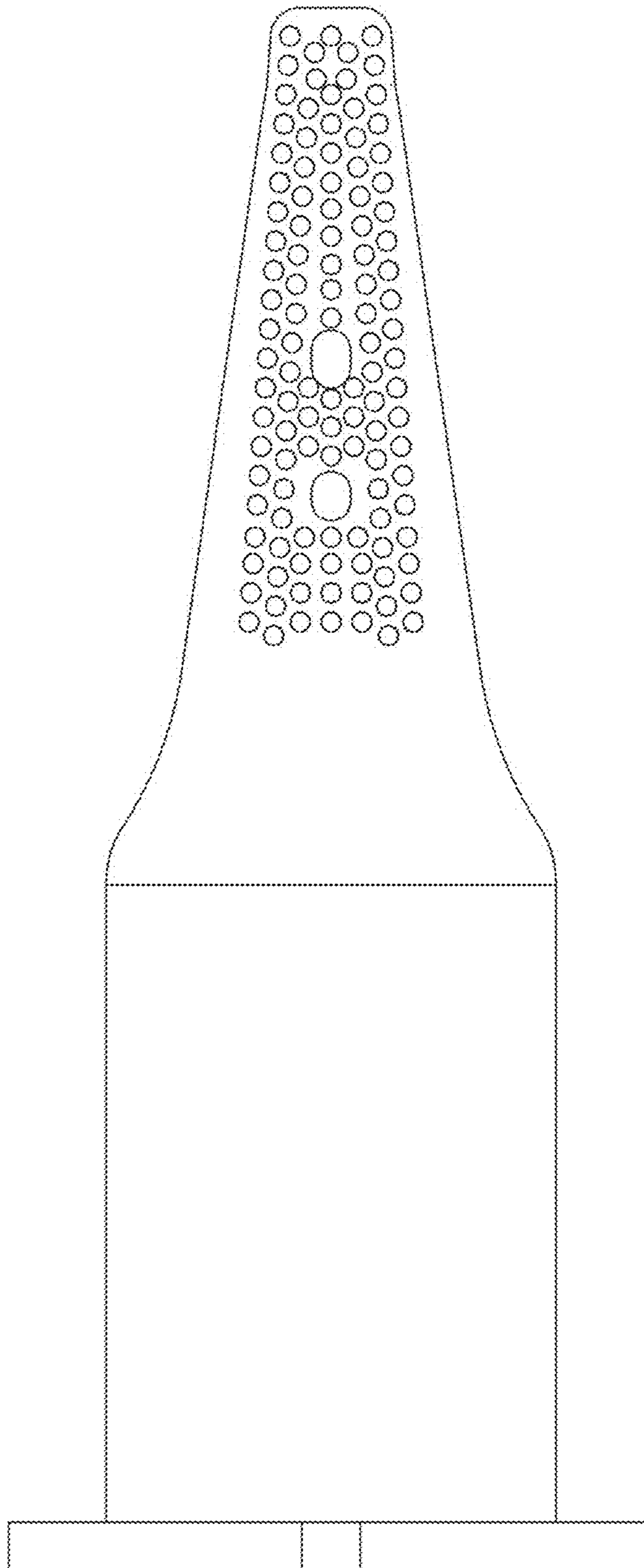
D840,044 S * 2/2019 Rard D24/194
D866,774 S * 11/2019 Wang D24/194
D903,098 S * 11/2020 Tom D24/111
10,842,719 B1 * 11/2020 Picchetti A61J 17/001
D908,896 S * 1/2021 Bajor D24/194
D920,525 S * 5/2021 Kim D24/195
11,096,870 B2 * 8/2021 Larry A61J 11/0095
D932,032 S * 9/2021 Ayala D4/107
D938,051 S * 12/2021 Velez D24/194
D939,717 S * 12/2021 Roehrig A61J 11/005
D24/196
D947,395 S * 3/2022 Habosha D24/195
D957,656 S * 7/2022 Egorov D24/194

* cited by examiner

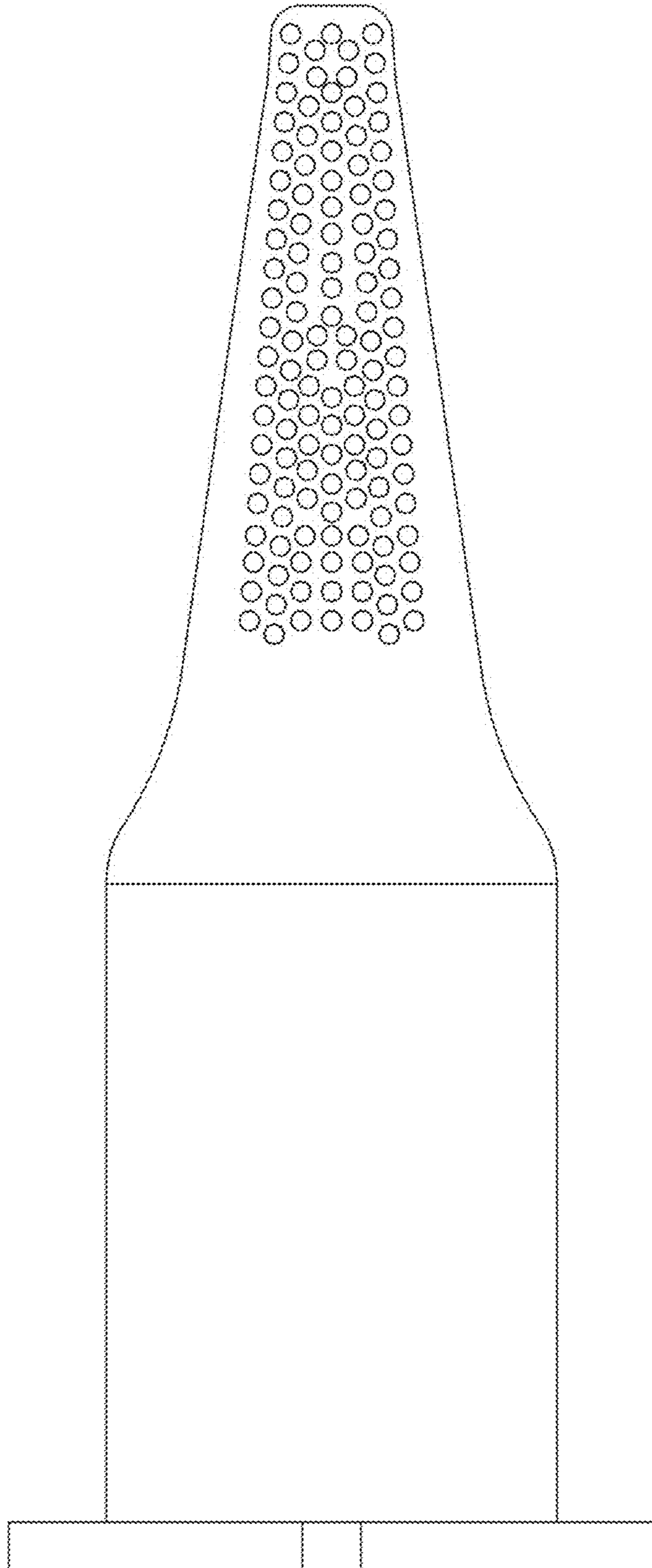
1.1



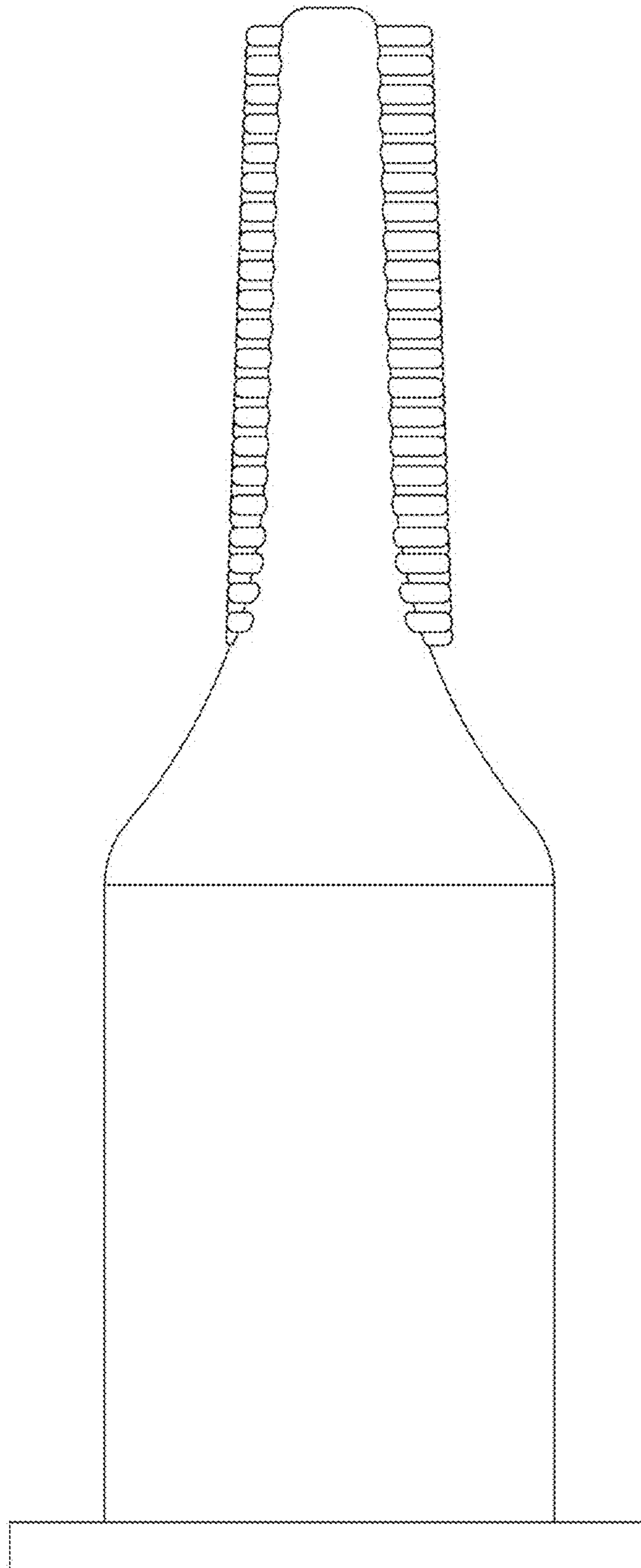
1.2



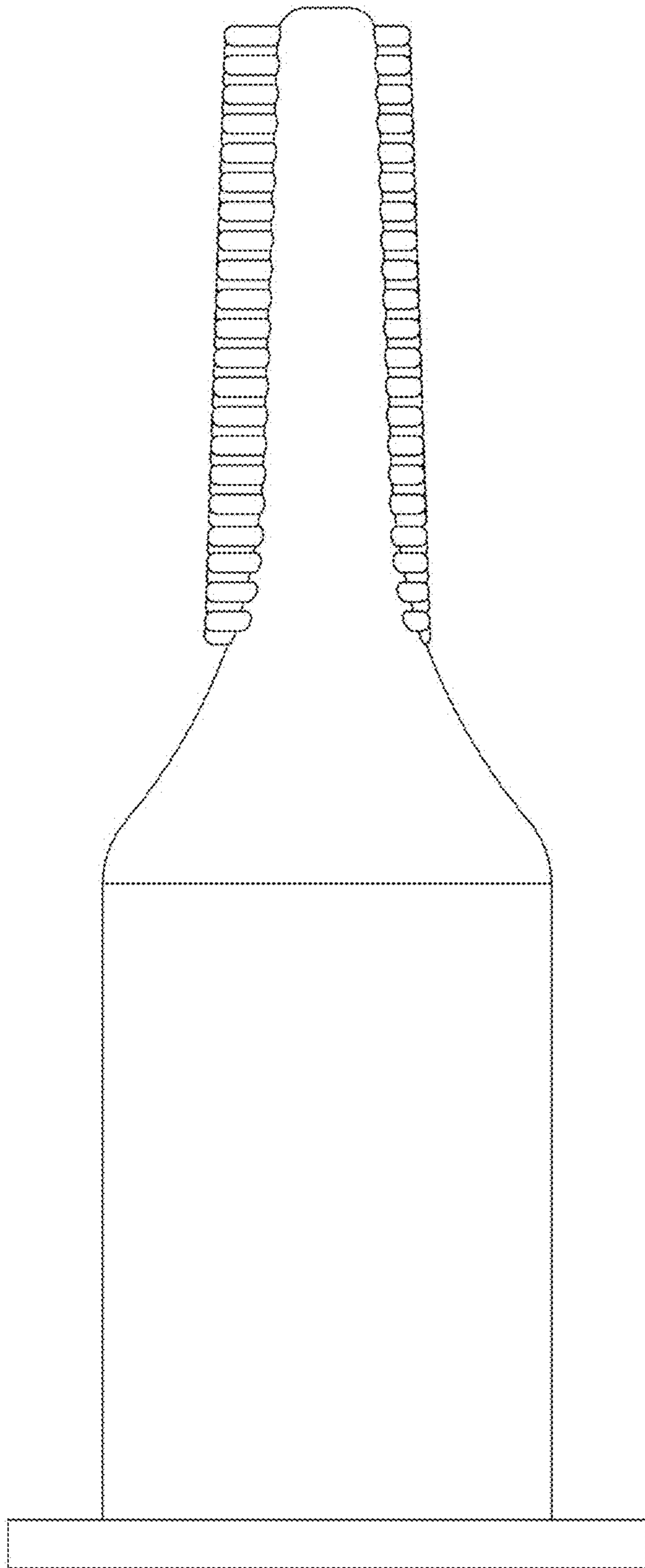
1.3



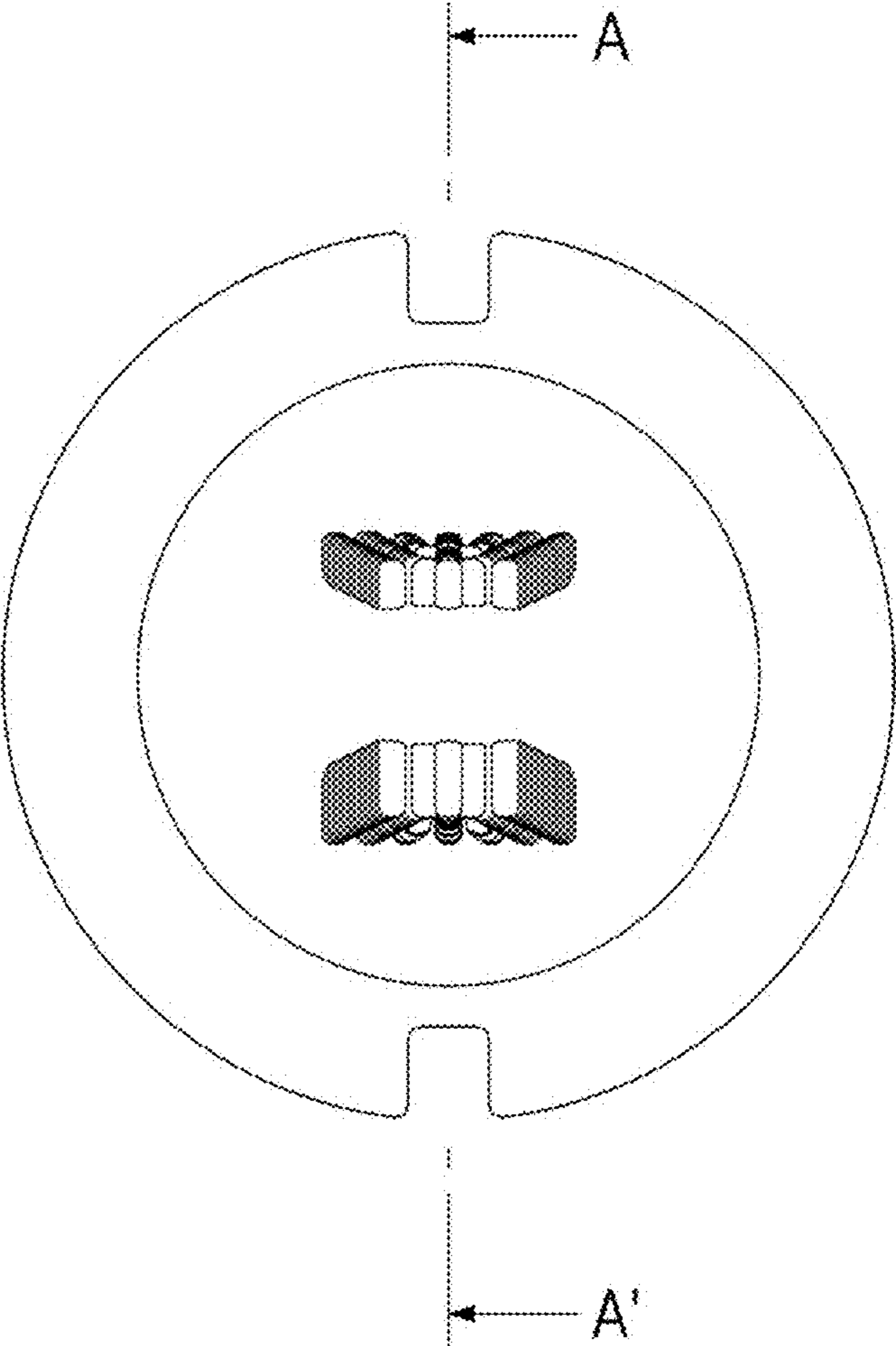
1.4



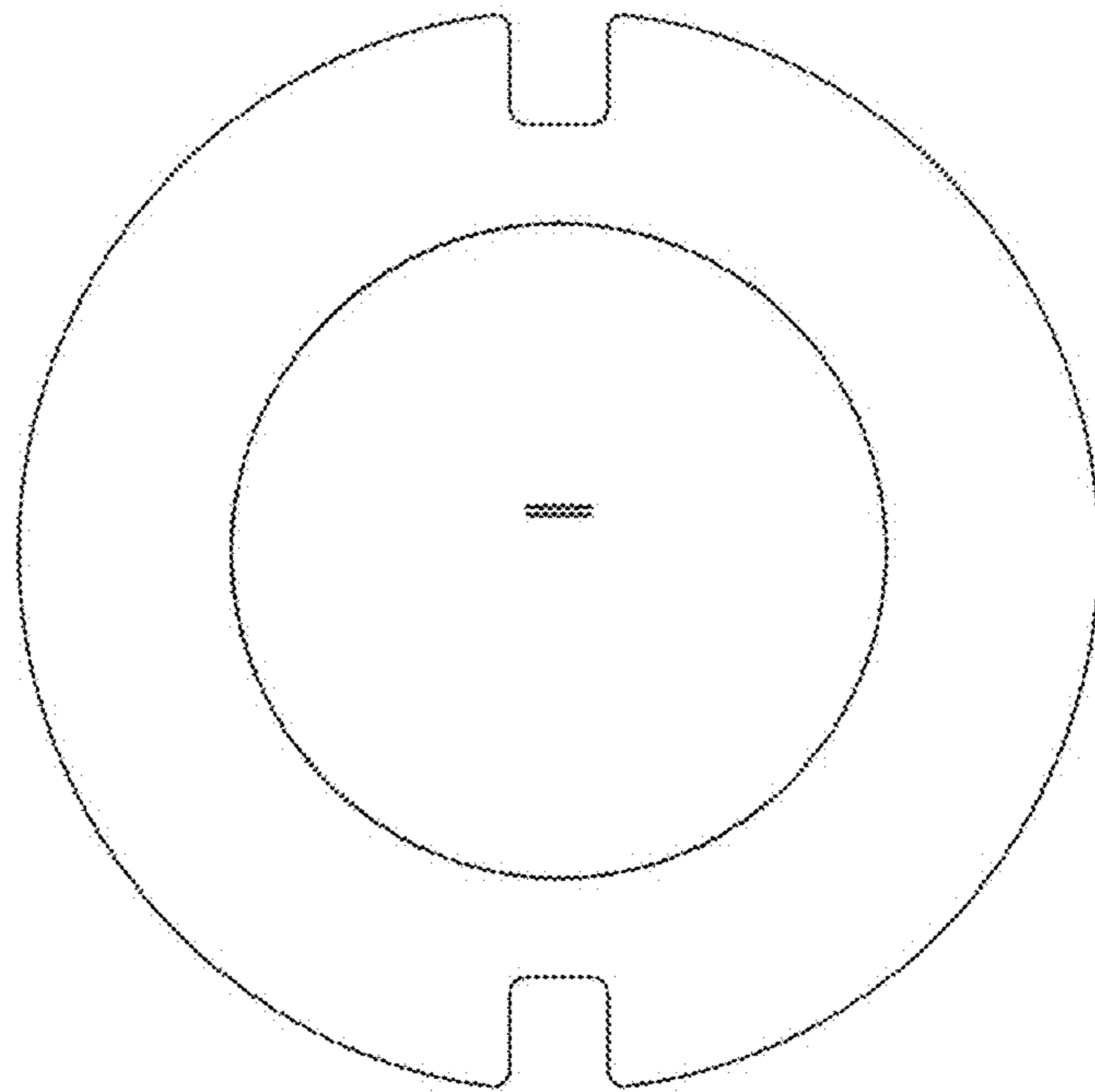
1.5



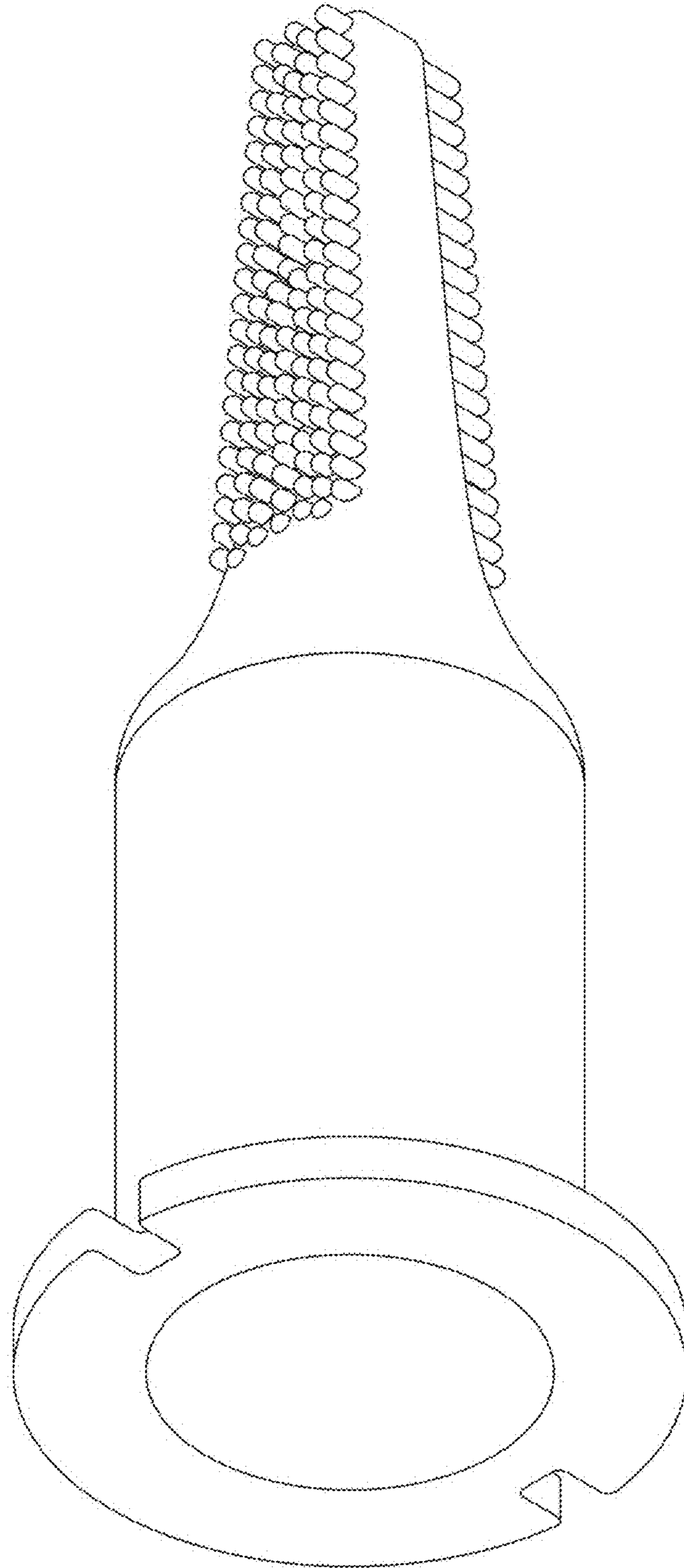
1.6



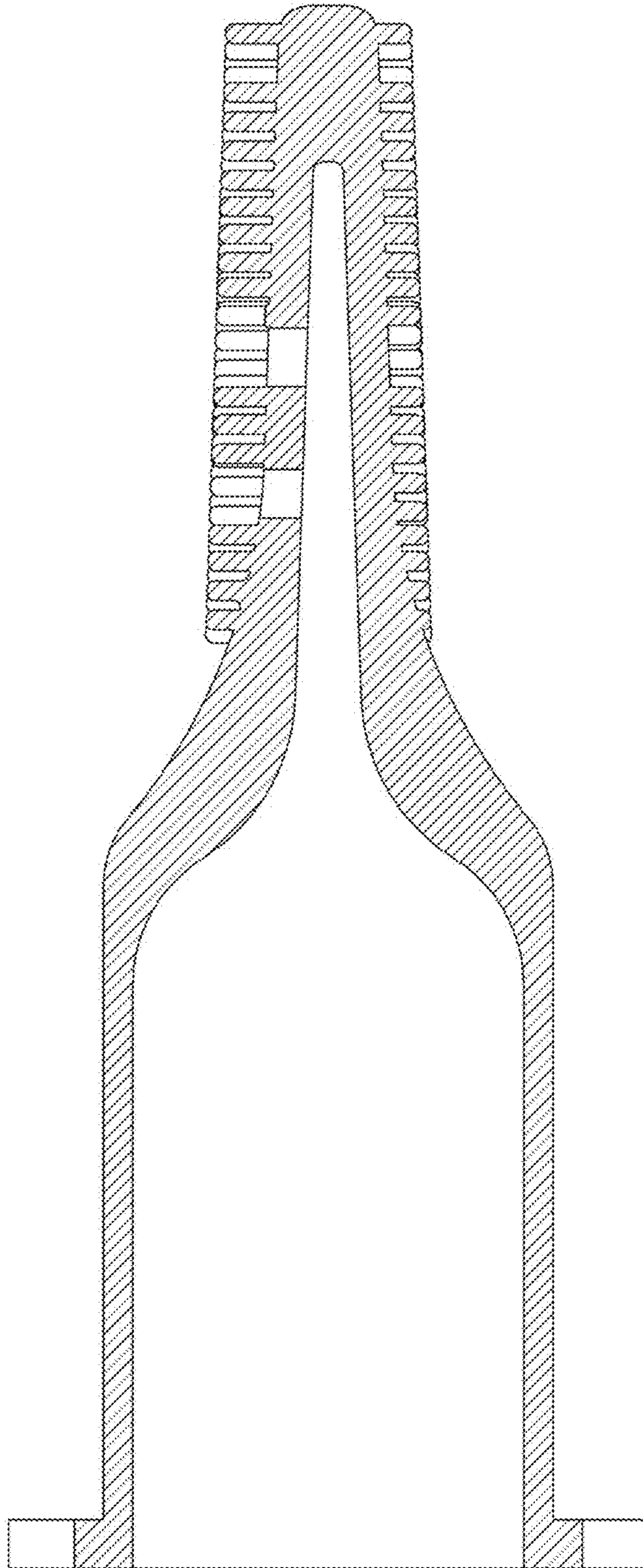
1.7



1.8



1.9



1.10

