



US00D964569S

(12) **United States Design Patent**  
**Bakhru et al.**

(10) **Patent No.:** **US D964,569 S**

(45) **Date of Patent:** **\*\* Sep. 20, 2022**

(54) **COAGULOMETER**

(71) Applicant: **Perosphere Technologies Inc.**,  
Danbury, CT (US)

(72) Inventors: **Sasha Bakhru**, Danbury, CT (US);  
**Bryan Laulicht**, New York, NY (US);  
**Stefan Zappe**, Danbury, CT (US);  
**Solomon Steiner**, Danbury, CT (US)

(73) Assignee: **PEROSPHERE TECHNOLOGIES INC.**, Danbury, CT (US)

(\*\*) Term: **15 Years**

(21) Appl. No.: **29/717,686**

(22) Filed: **Dec. 18, 2019**

(51) **LOC (13) Cl.** ..... **24-01**

(52) **U.S. Cl.**  
USPC ..... **D24/169**

(58) **Field of Classification Search**  
USPC .... D24/107, 110.6, 112, 113, 129, 164–169,  
D24/216; D10/81

CPC ..... A61M 25/065; A61M 25/0612; A61M  
25/00; A61M 25/0043; A61M 25/0067;  
A61M 25/0097; A61M 5/42; A61M  
39/00; A61M 27/00; A61M 25/0606;  
A61M 1/16; A61M 1/1601; A61M  
1/1621; A61M 1/1654; A61M 1/36;  
A61M 1/3693; A61M 1/3696; A61M  
2209/084; A61M 2205/502; A61M  
2205/505; A61M 25/0631; A61F 2/958;  
A61B 2560/0443; A61B 2560/0462;  
A61B 5/14532; A61B 5/14865

See application file for complete search history.

(56) **References Cited**

**U.S. PATENT DOCUMENTS**

D298,278 S \* 10/1988 Savitz ..... D24/169  
D611,151 S \* 3/2010 Lei ..... D24/169  
D752,229 S \* 3/2016 Chen ..... D24/165

D757,273 S \* 5/2016 Nelson ..... D24/169  
D796,357 S \* 9/2017 Park ..... D10/81  
D804,033 S \* 11/2017 Wightman ..... D24/169  
D820,989 S \* 6/2018 Wightman ..... D24/169  
D822,211 S \* 7/2018 Davies ..... D24/169  
D858,775 S \* 9/2019 Wightman ..... D24/169  
D874,007 S \* 1/2020 Chang ..... D24/169  
D884,189 S \* 5/2020 Wassermann ..... D24/169  
D884,903 S \* 5/2020 Cadio ..... D24/169

(Continued)

**OTHER PUBLICATIONS**

Perosphere Technologies' Broad-Spectrum POC Coagulometer, posted at perospheretechnology.com, no posting date, retrieved May 7, 2021, online, URL: Perosphere Technologies' Broad-Spectrum POC Coagulometer (Year: 2021).\*

(Continued)

*Primary Examiner* — Mary Shannon Malley

(74) *Attorney, Agent, or Firm* — Pabst Patent Group LLP

(57) **CLAIM**

We claim the ornamental design for a coagulometer, as shown and described.

**DESCRIPTION**

FIG. 1 is a top, front perspective view of a coagulometer showing our new design with the test strip door in the closed position;

FIG. 2 is a bottom, rear perspective view thereof;

FIG. 3 is a front view thereof;

FIG. 4 is a right side view thereof;

FIG. 5 is a rear view thereof;

FIG. 6 is a left side view thereof;

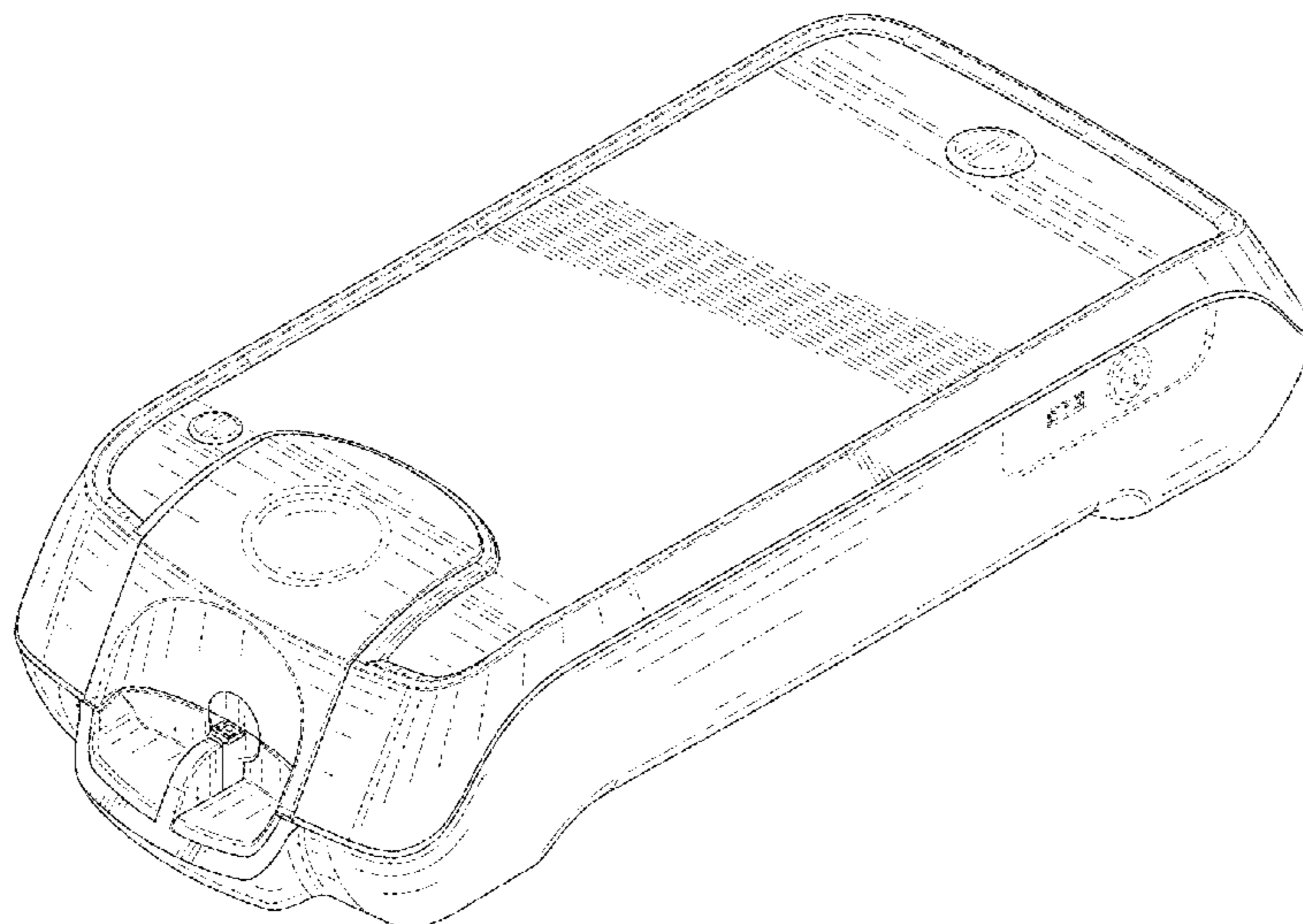
FIG. 7 is a top view thereof; and,

FIG. 8 is a bottom view thereof.

The shade lines show transparency, not surface ornamentation.

The broken lines depict portions of the coagulometer that form no part of the claimed design.

**1 Claim, 8 Drawing Sheets**



(56)

**References Cited**

U.S. PATENT DOCUMENTS

2014/0213935 A1\* 7/2014 Hsu ..... A61B 5/15186  
600/583  
2016/0290951 A1\* 10/2016 Coburn ..... G01N 27/3272

OTHER PUBLICATIONS

Wayback machine search for NPL citation U, first found Apr. 4, 2019, retrieved May 7, 2021, online, URL: <https://web.archive.org/web/20190404013434/http://www.perospheretechnology.com/content/research/coagulometer.htm> (Year: 2019).\*

Ansell, et al., "A Novel Whole Blood Point-of-Care Coagulometer to Measure the Effect of Direct Oral Anticoagulants and Heparins", *Semin Thromb Hemost.*, 45(3):259-263 (2019).

Hemochron Jr. Signature+ Microcoagulation System from ITC; <https://www.labcompare.com>, Apr. 5, 2017.

LabPad® INR The next generation of PTNIR meters, <https://www.mylabpad.com/>, Aug. 26, 2018.

\* cited by examiner

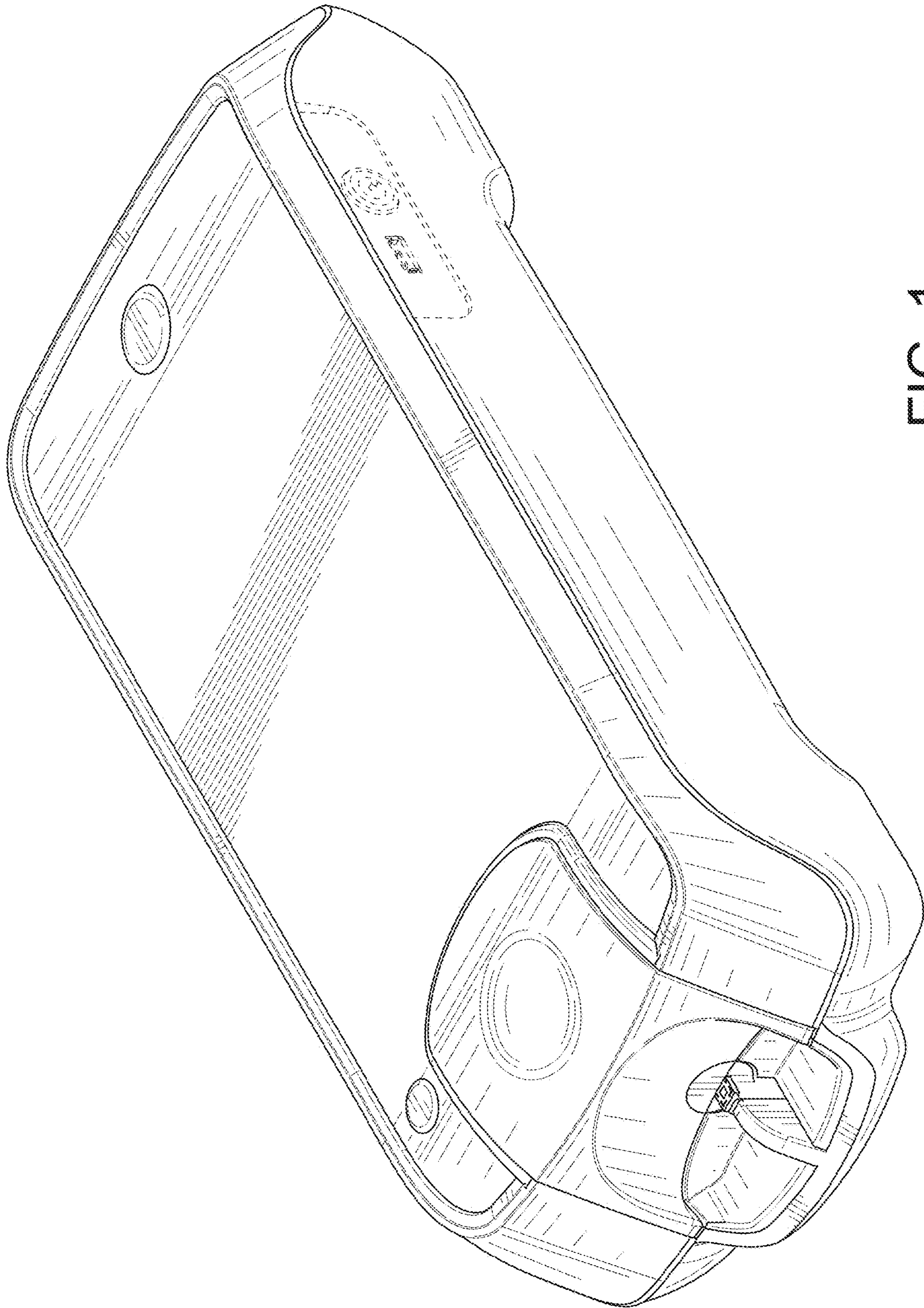


FIG. 1

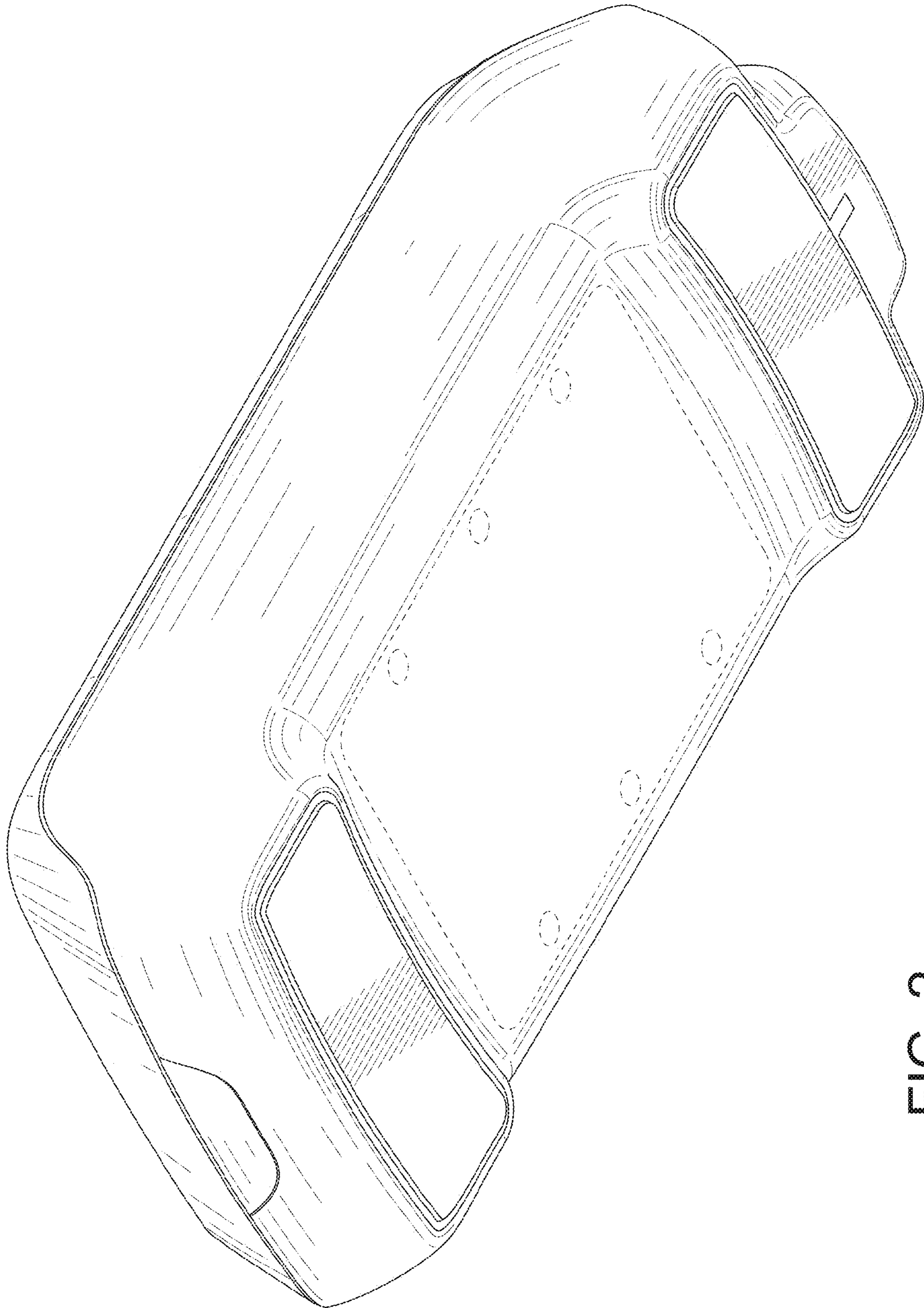


FIG. 2

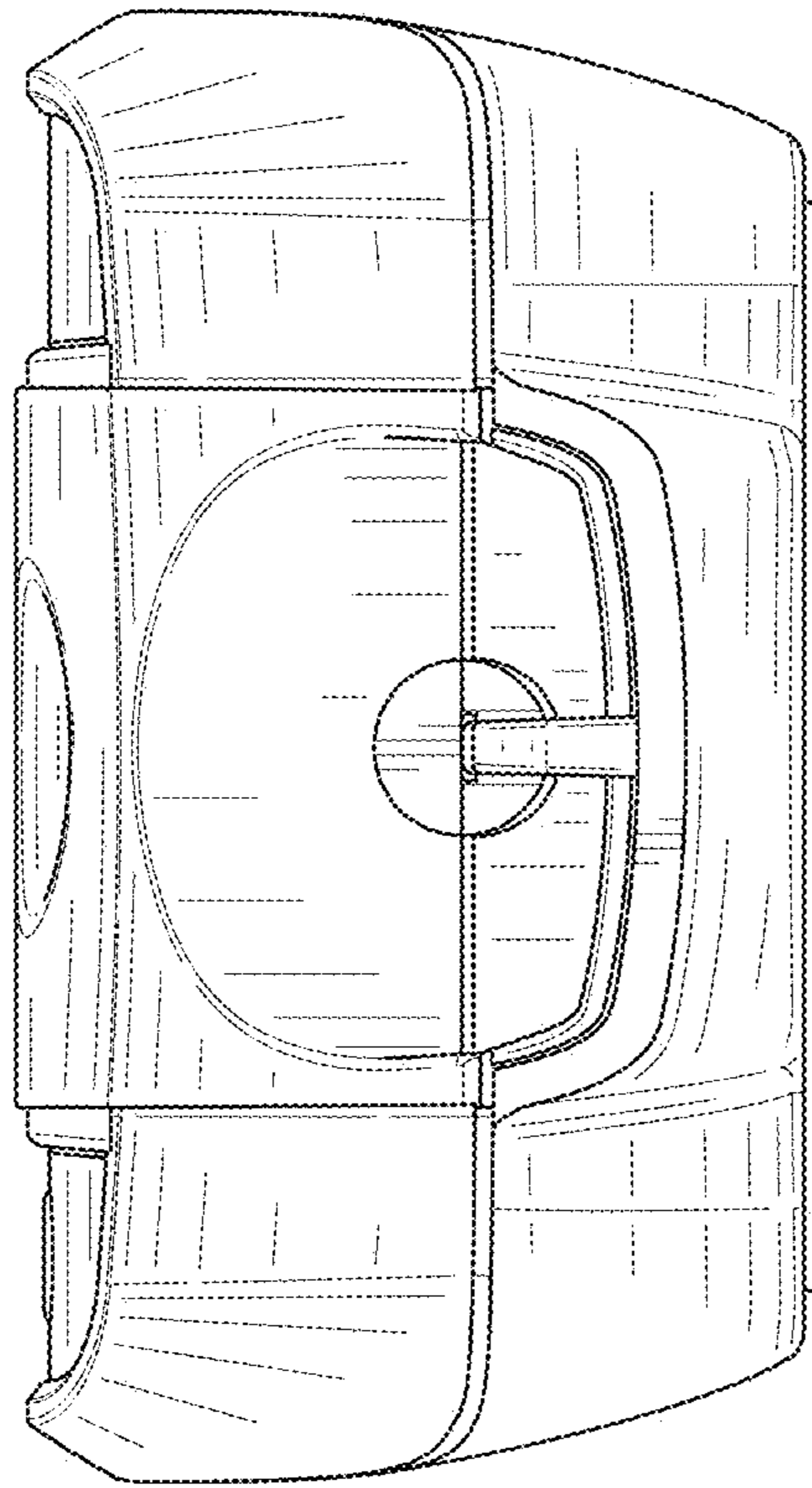


FIG. 3

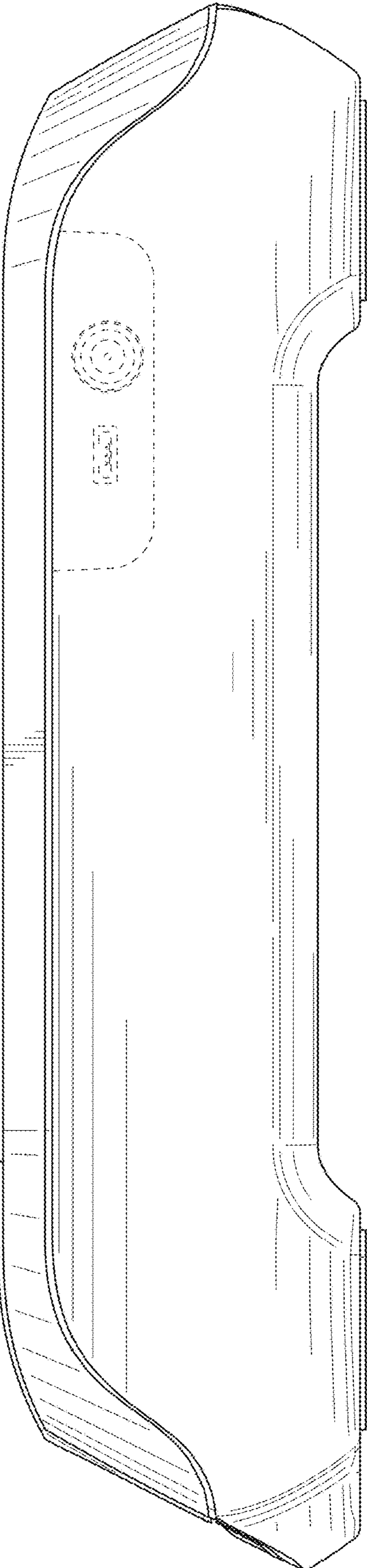


FIG. 4

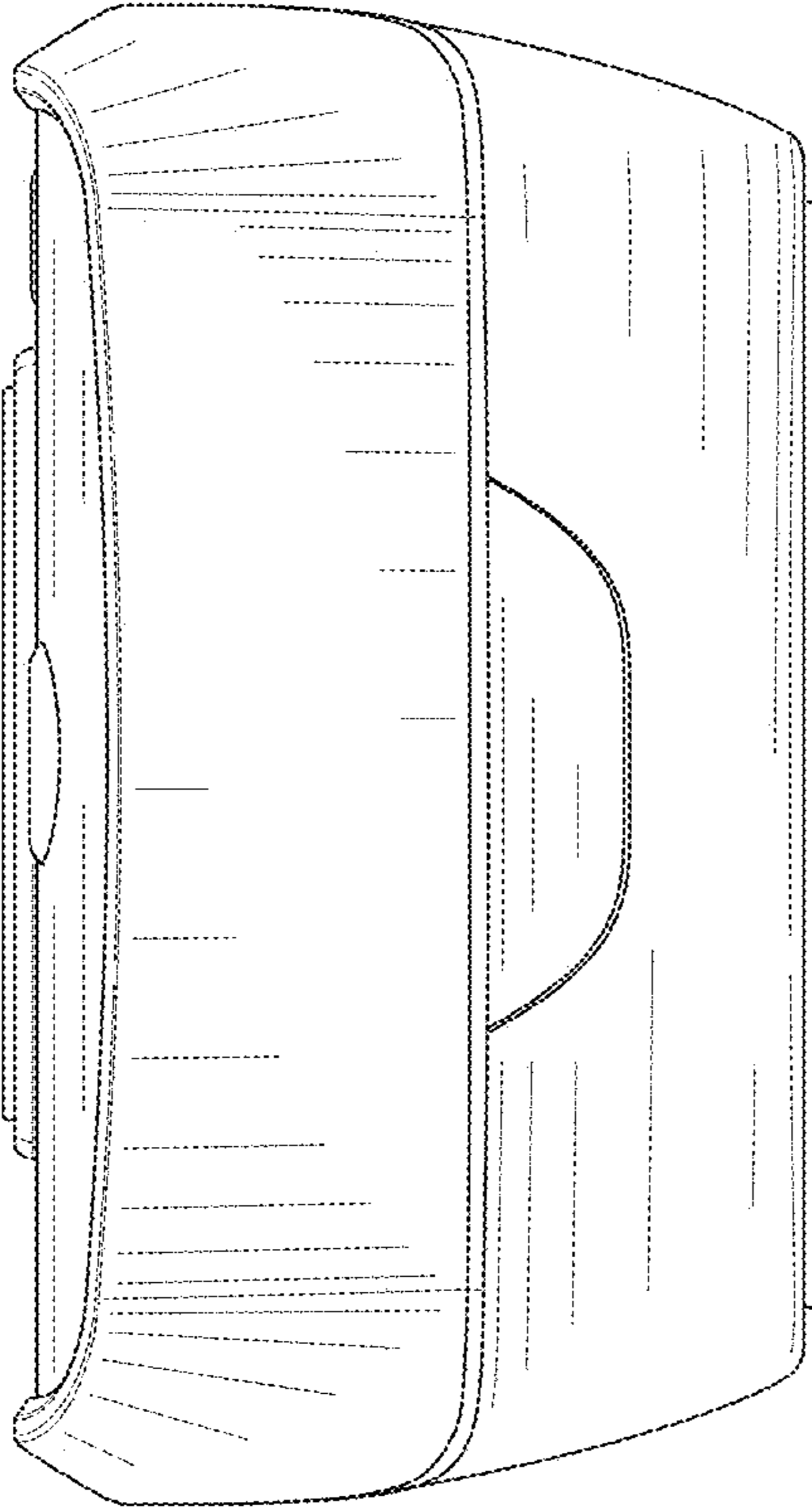


FIG. 5

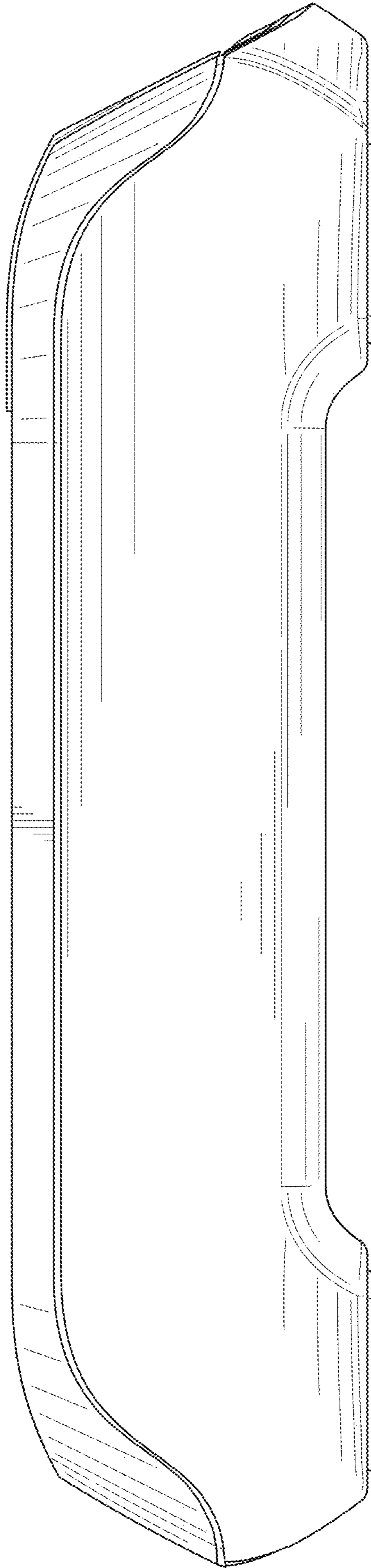


FIG. 6



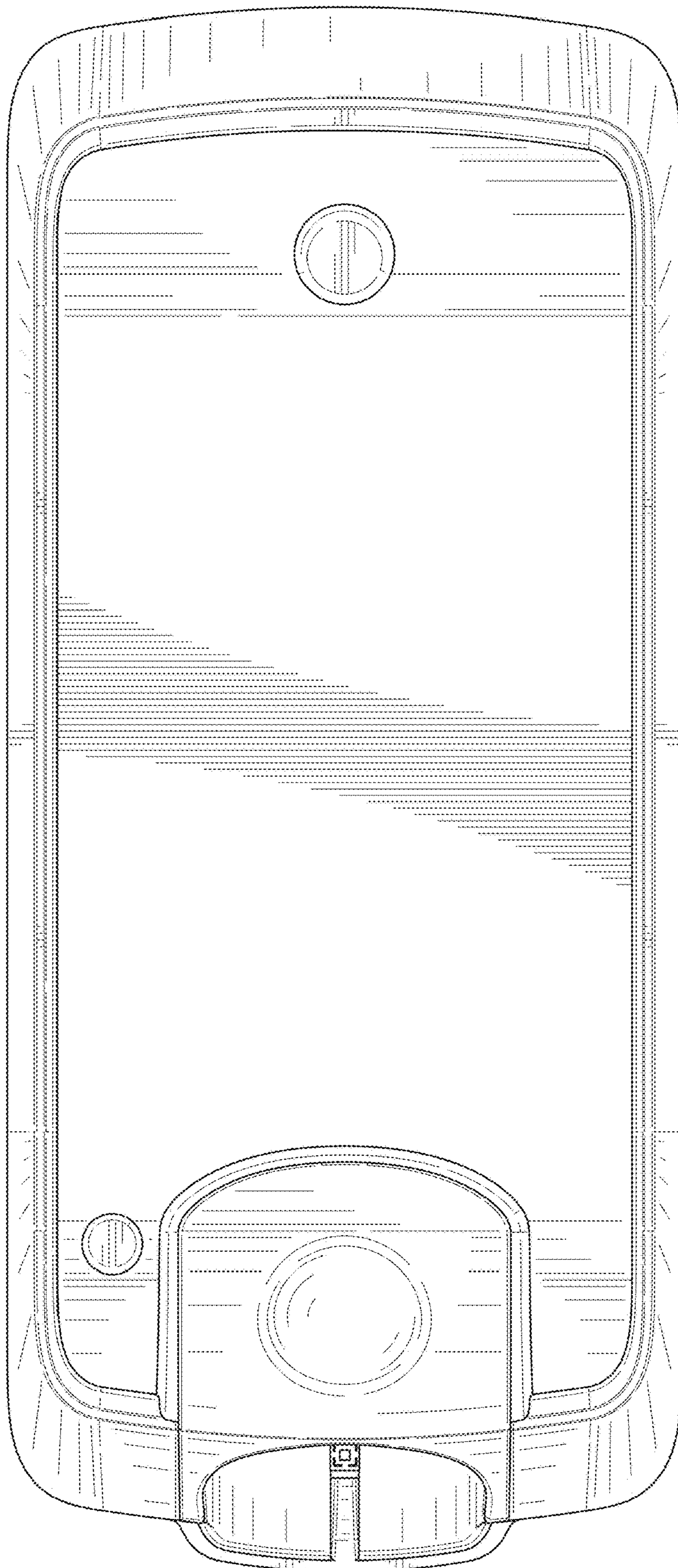


FIG. 7

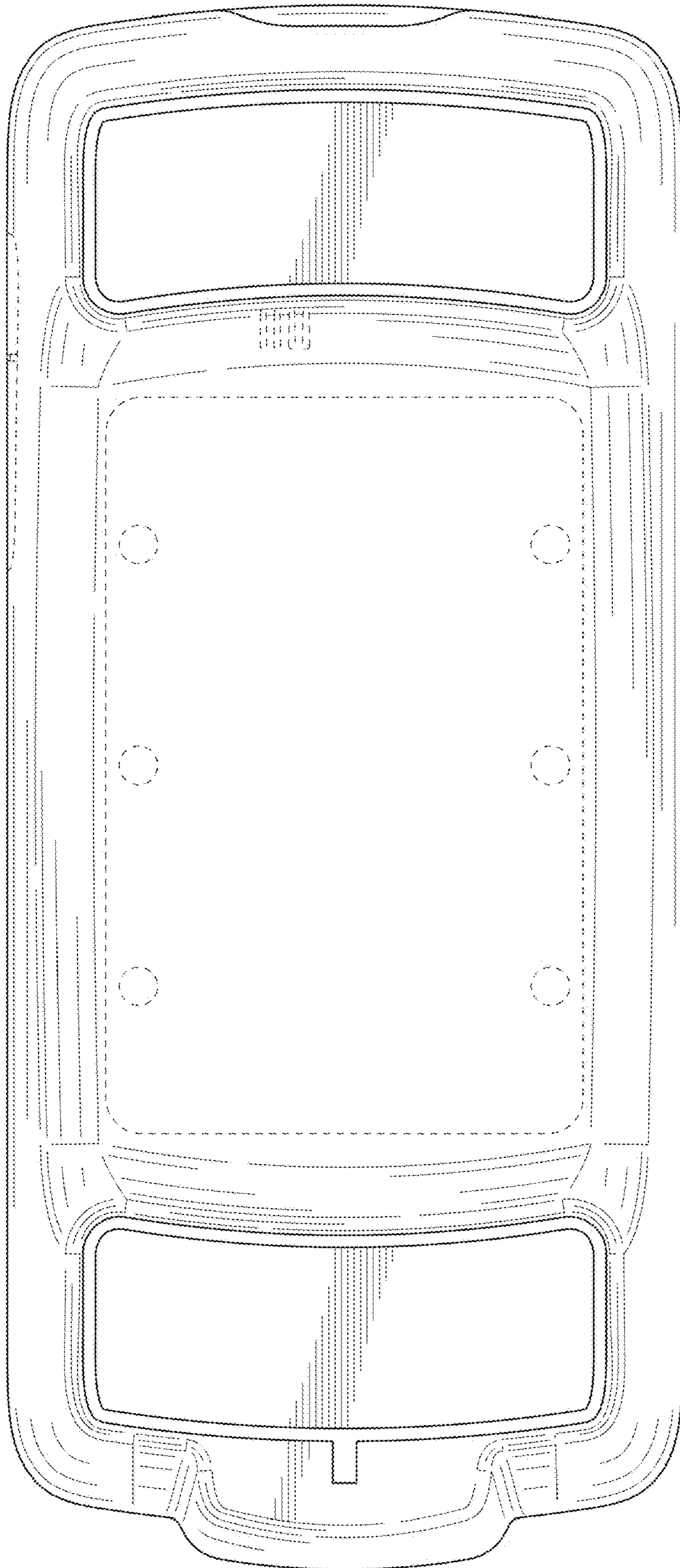


FIG. 8