

US00D964568S

(12) **United States Design Patent** (10) **Patent No.:** **US D964,568 S**
Sekine (45) **Date of Patent:** **** Sep. 20, 2022**

(54) **X-RAY DEVICE FOR MEDICAL TREATMENT**
(71) Applicant: **CANON KABUSHIKI KAISHA,**
Tokyo (JP)
(72) Inventor: **Tetsuya Sekine,** Tokyo (JP)
(**) Term: **15 Years**
(21) Appl. No.: **35/511,519**
(22) Filed: **Feb. 24, 2021**

(80) **Hague Agreement Data**
Int. Filing Date: **Feb. 24, 2021**
Int. Reg. No.: **DM/212941**
Int. Reg. Date: **Feb. 24, 2021**
Int. Reg. Pub. Date: **Mar. 12, 2021**

(30) **Foreign Application Priority Data**
Aug. 27, 2020 (JP) 2020-018044 D
(51) **LOC (13) Cl.** **24-01**
(52) **U.S. Cl.**
USPC **D24/158**
(58) **Field of Classification Search**
USPC D24/158, 209, 210; D14/341
CPC A61B 6/4283; A61B 6/4291; H04N 5/367;
G03B 42/04
See application file for complete search history.

(56) **References Cited**
U.S. PATENT DOCUMENTS
D291,698 S * 9/1987 Hirooka D18/12
D490,420 S * 5/2004 Solomon D14/374
D636,768 S * 4/2011 Chan D14/341
D641,352 S * 7/2011 Flagiello D14/341
D664,954 S * 8/2012 Kim D14/341
D675,203 S * 1/2013 Yang D14/341
D687,820 S * 8/2013 Kim D14/341
D688,661 S * 8/2013 Ho D14/341

D692,880 S * 11/2013 Song D14/341
D694,212 S * 11/2013 Yuu D14/138 G
D702,681 S * 4/2014 Sugiyama D14/341
D708,608 S * 7/2014 Sugiyama D14/341
D729,235 S * 5/2015 Nagao D14/341
D757,720 S * 5/2016 Lai D14/341
D807,348 S * 1/2018 Wang D14/341
D905,050 S * 12/2020 Kim G06F 1/1626
D14/341
D907,035 S * 1/2021 Kim G06F 1/1613
D14/341
D947,384 S * 3/2022 Sekine D24/158
D947,834 S * 4/2022 Akana D14/341
D947,835 S * 4/2022 Kim D14/341

(Continued)

OTHER PUBLICATIONS

If Design. Flat Panel Detectors—CXDI-710C Wireless / CXDI-410C Wireless / CXDI-810C Wireless. 2017. <https://ifdesign.com/en/winner-ranking/project/cxdi-710c-wireless-cxdi-410c-wireless-cxdi-810c-wireless/230019> (Year: 2017).*

(Continued)

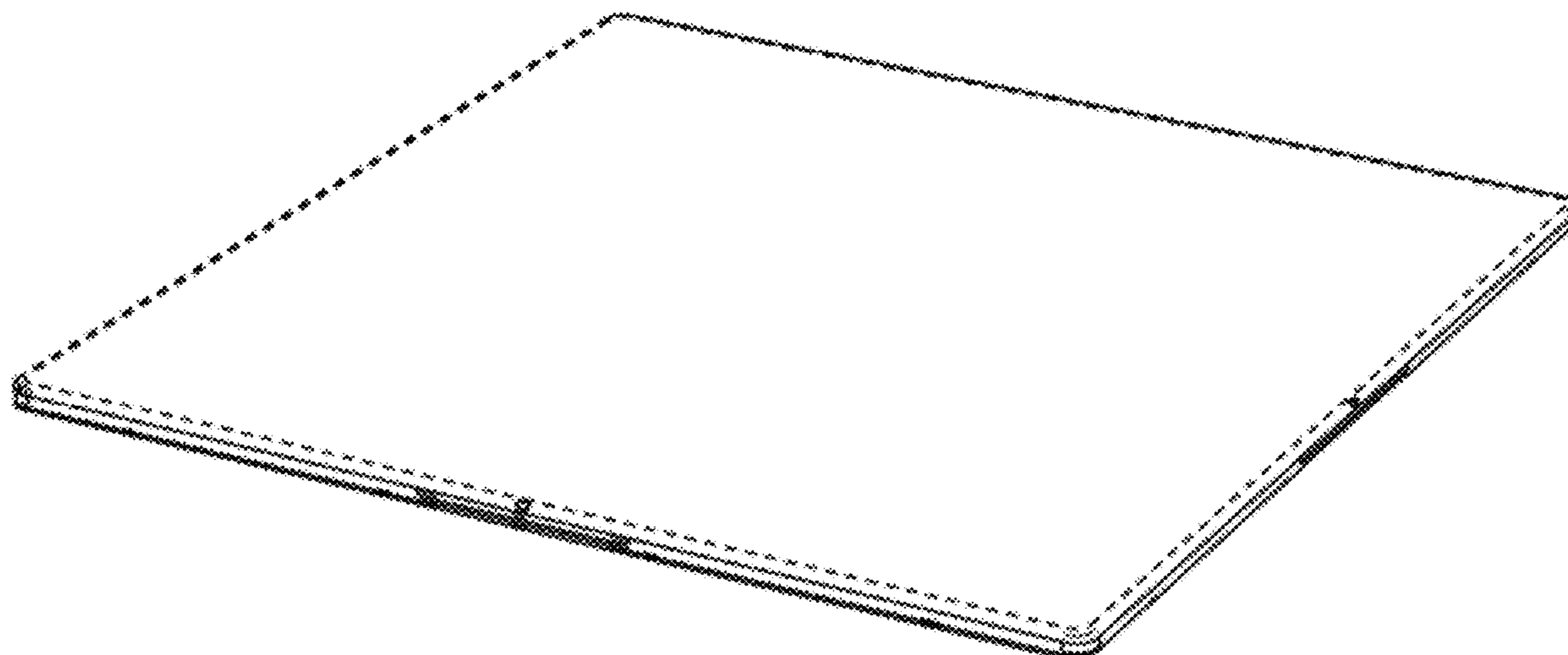
Primary Examiner — Darcey E Gottschalk

(57) **CLAIM**
The ornamental design for an X-ray device for medical treatment, as shown and described.

DESCRIPTION

1. X-ray device for medical treatment
1.1 : Front
1.2 : Back
1.3 : Top
1.4 : Bottom
1.5 : Left
1.6 : Right
1.7 : Perspective
The broken lines in the drawings illustrate portions of the X-ray device for medical treatment which form no part of the claimed design.

1 Claim, 7 Drawing Sheets



(56)

References Cited

U.S. PATENT DOCUMENTS

D947,836 S	*	4/2022	Li	D14/341
D947,837 S	*	4/2022	Wall	D14/341
D947,838 S	*	4/2022	Akana	D14/341
D947,844 S	*	4/2022	Lee	D14/341
D948,054 S	*	4/2022	Ono	D24/158
D948,720 S	*	4/2022	Ono	D24/158
D948,721 S	*	4/2022	Ono	D24/158

OTHER PUBLICATIONS

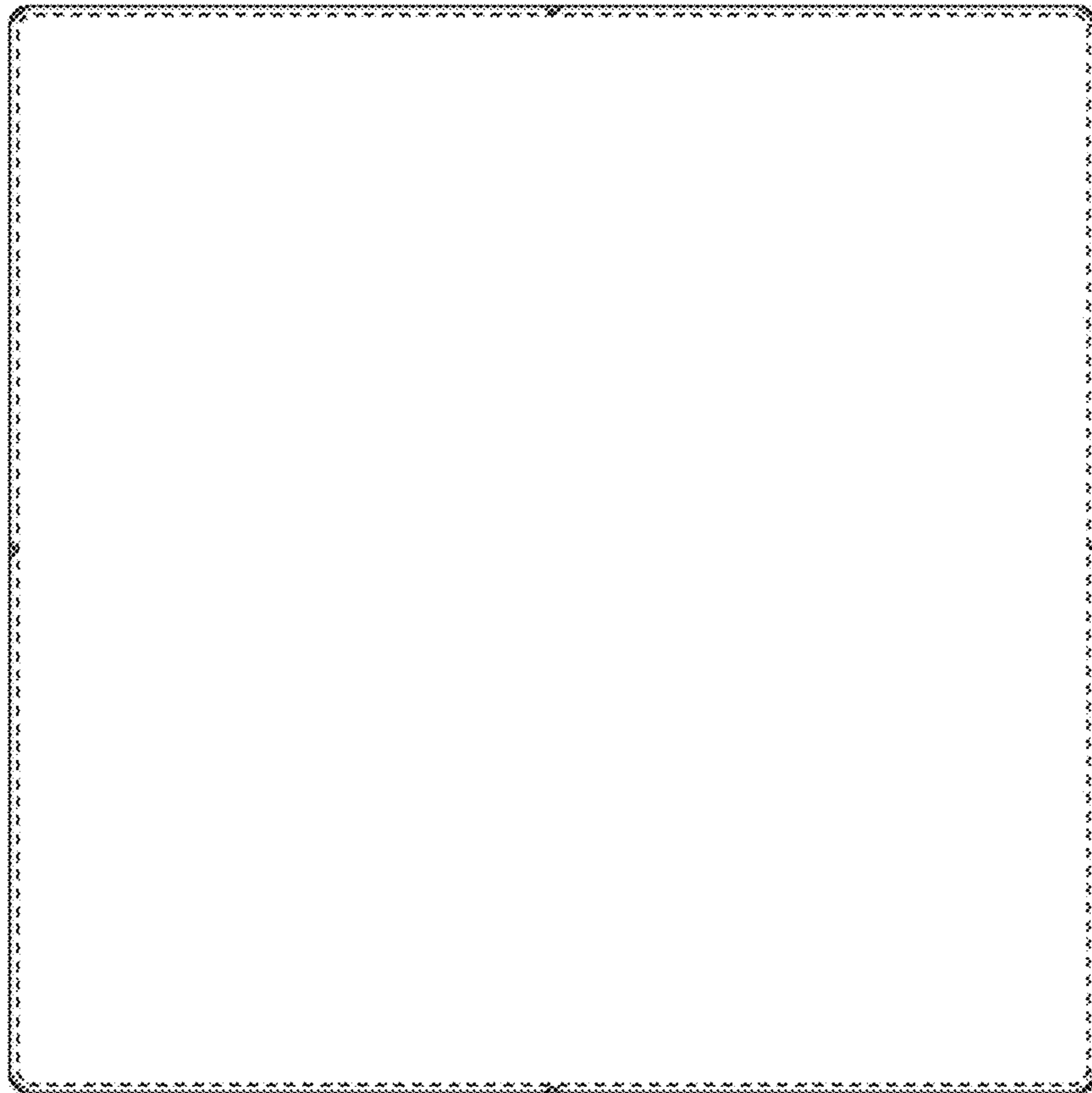
Youtube. Introducing the CXDI-710C Wireless—CanonBusinessAU. May 10, 2017. https://www.youtube.com/watch?v=3o_1uXlsqmM (Year: 2017).*

Canon. Wireless CXDI-702 Series. No date specified. <https://www.canon-europe.com/business/medical/digital-radiography/cxdi-702-wireless-flat-panel-detectors/> (Year: 0).*

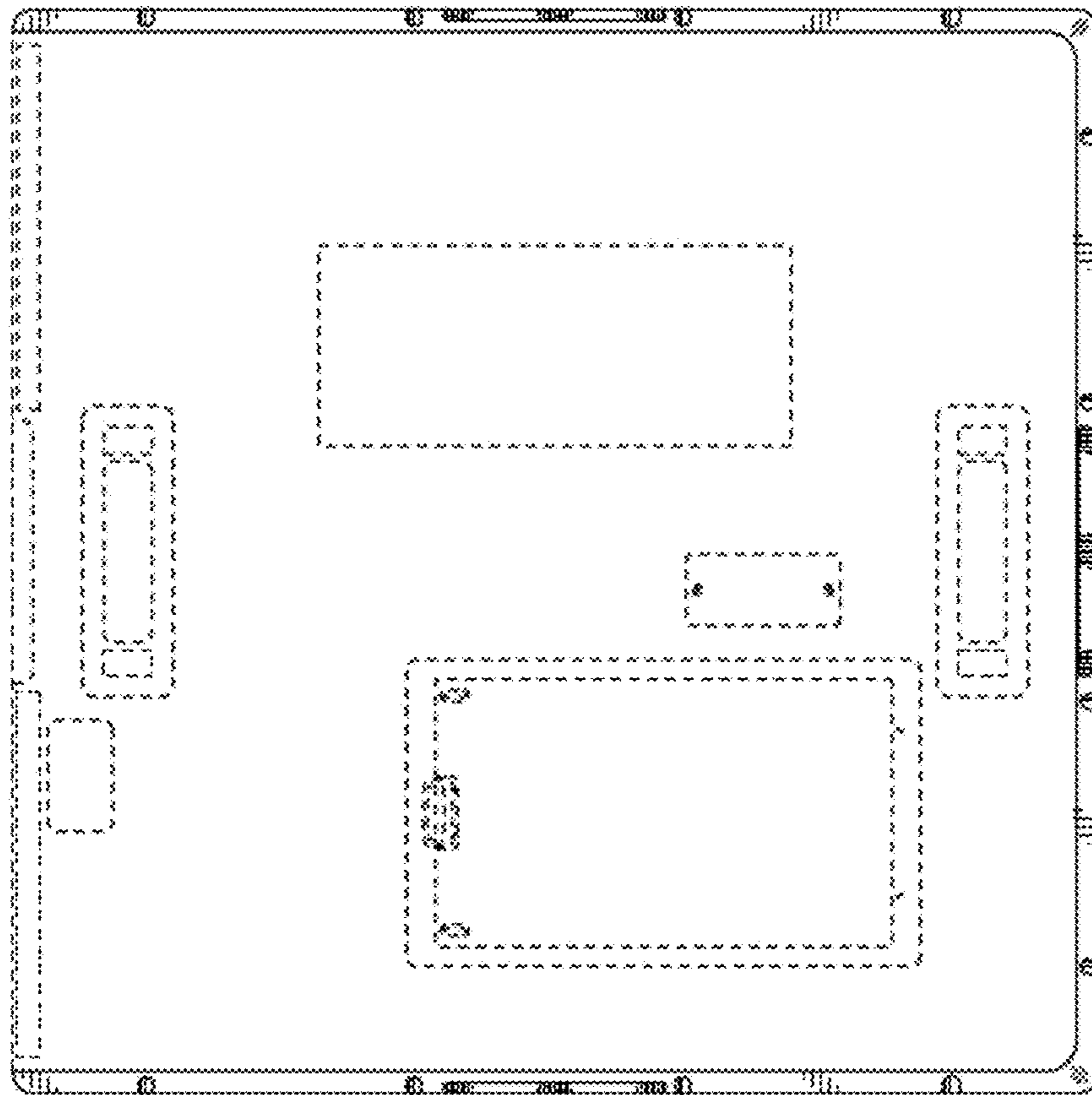
Canon Brochure. The new generation Canon wireless detectors for X-ray systems brochure. 2020. <https://www.arcoma.se/wp-content/uploads/Canon-CXDI-702CW-Series-Brochure-2020-Arcoma.pdf> (Year: 2020).*

* cited by examiner

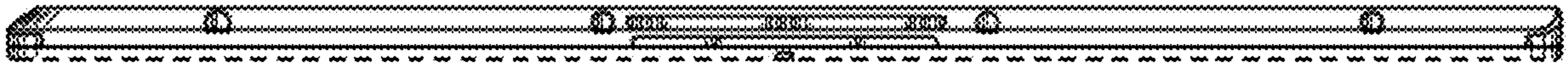
1.1



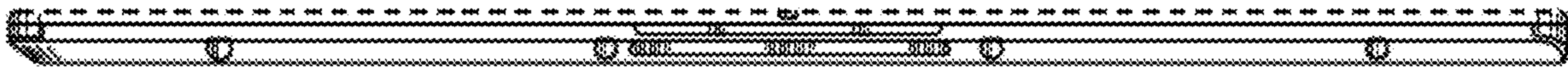
1.2



1.3



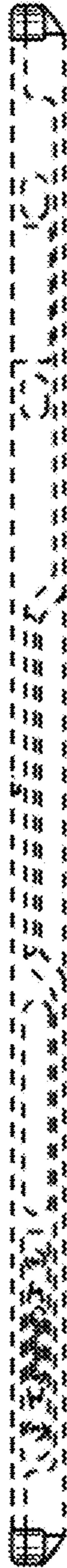
1.4



1.5



1.6



1.7

