



US00D964561S

(12) **United States Design Patent**  
**Suzuki**

(10) **Patent No.:** **US D964,561 S**

(45) **Date of Patent:** **\*\* Sep. 20, 2022**

(54) **ENDOSCOPE OPERATING UNIT**

D655,413 S \* 3/2012 Nino ..... D24/133  
D780,916 S \* 3/2017 Ogura ..... D24/138  
D791,941 S \* 7/2017 Burachynsky ..... D24/133

(71) Applicant: **OLYMPUS CORPORATION**, Tokyo  
(JP)

\* cited by examiner

(72) Inventor: **Tatsuhiko Suzuki**, Kunitachi (JP)

*Primary Examiner* — Eliza Z Harvey

(73) Assignee: **OLYMPUS CORPORATION**, Tokyo  
(JP)

(74) *Attorney, Agent, or Firm* — Scully, Scott, Murphy & Presser, P.C.

(\*\*) Term: **15 Years**

(57) **CLAIM**

(21) Appl. No.: **29/694,738**

The ornamental design for an endoscope operating unit, as shown and described.

(22) Filed: **Jun. 13, 2019**

**DESCRIPTION**

(51) **LOC (13) Cl.** ..... **24-02**

(52) **U.S. Cl.**  
USPC ..... **D24/138**

(58) **Field of Classification Search**  
USPC ..... D24/137, 138, 133, 160, 134  
CPC ..... E05F 15/46; E05F 15/79  
See application file for complete search history.

FIG. 1 is a front perspective view of an endoscope operating unit showing my new design;  
FIG. 2 is a front view thereof;  
FIG. 3 is a rear view thereof;  
FIG. 4 is a top thereof;  
FIG. 5 is a bottom view thereof;  
FIG. 6 is a right side view thereof; and,  
FIG. 7 is a left side view thereof.

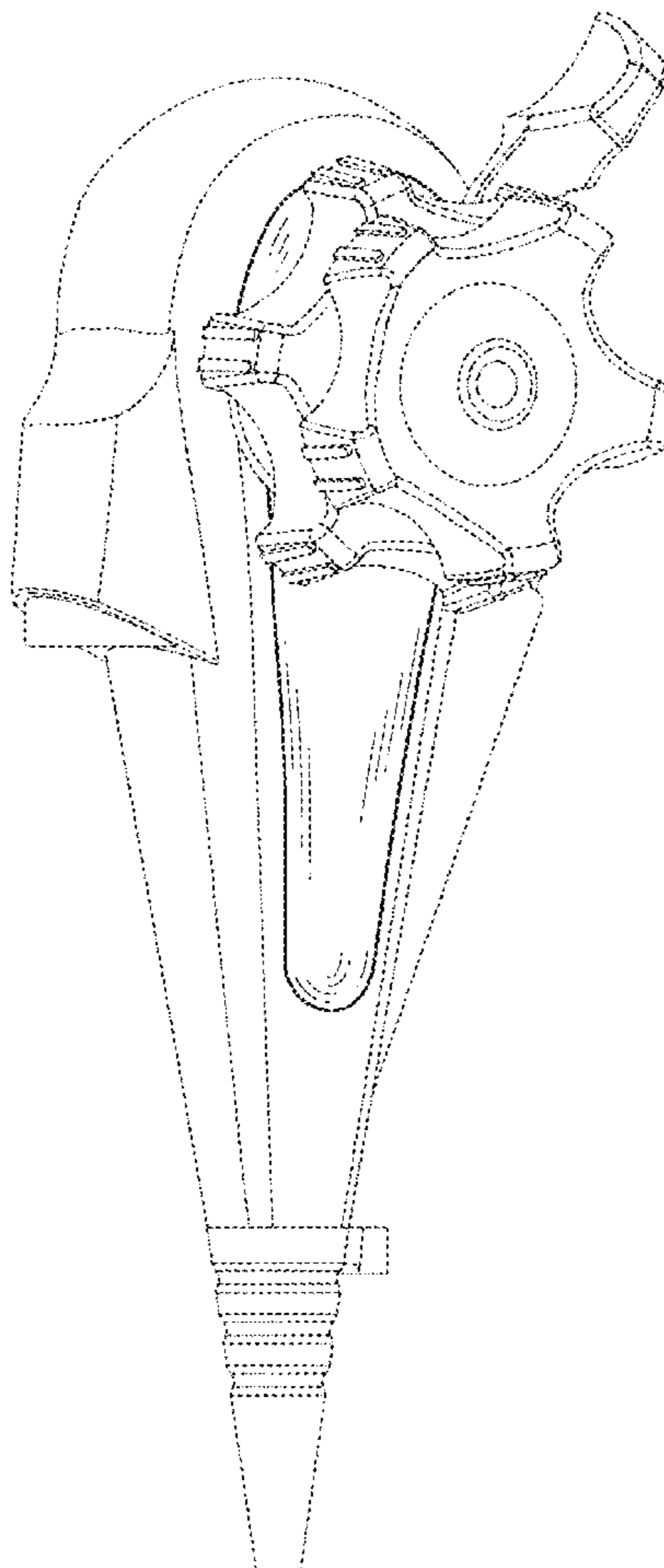
(56) **References Cited**

The appearance of the endoscope operating unit shown in broken lines depict unclaimed portions of the endoscope operating unit only and forms no part of the claimed design.

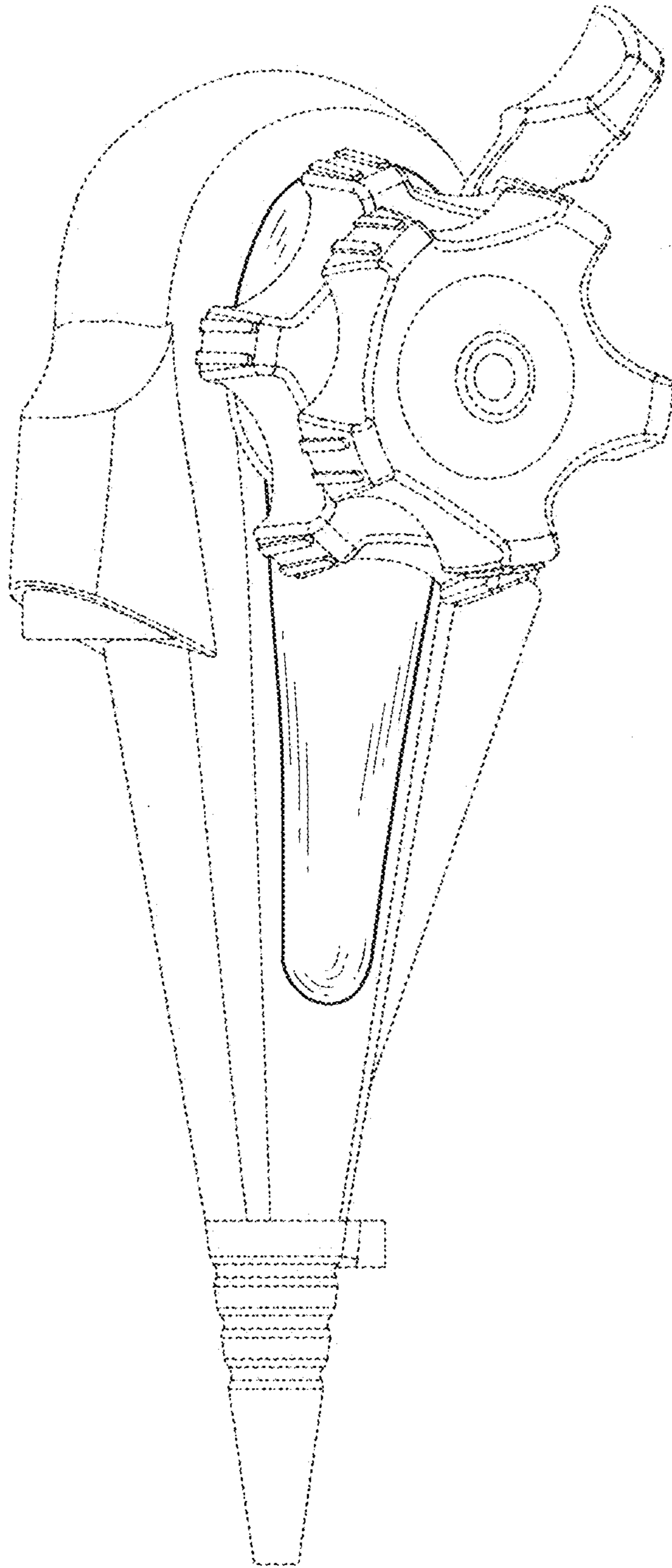
**U.S. PATENT DOCUMENTS**

D598,545 S \* 8/2009 Haines, III ..... D24/137  
D655,002 S \* 2/2012 Bast ..... D8/83

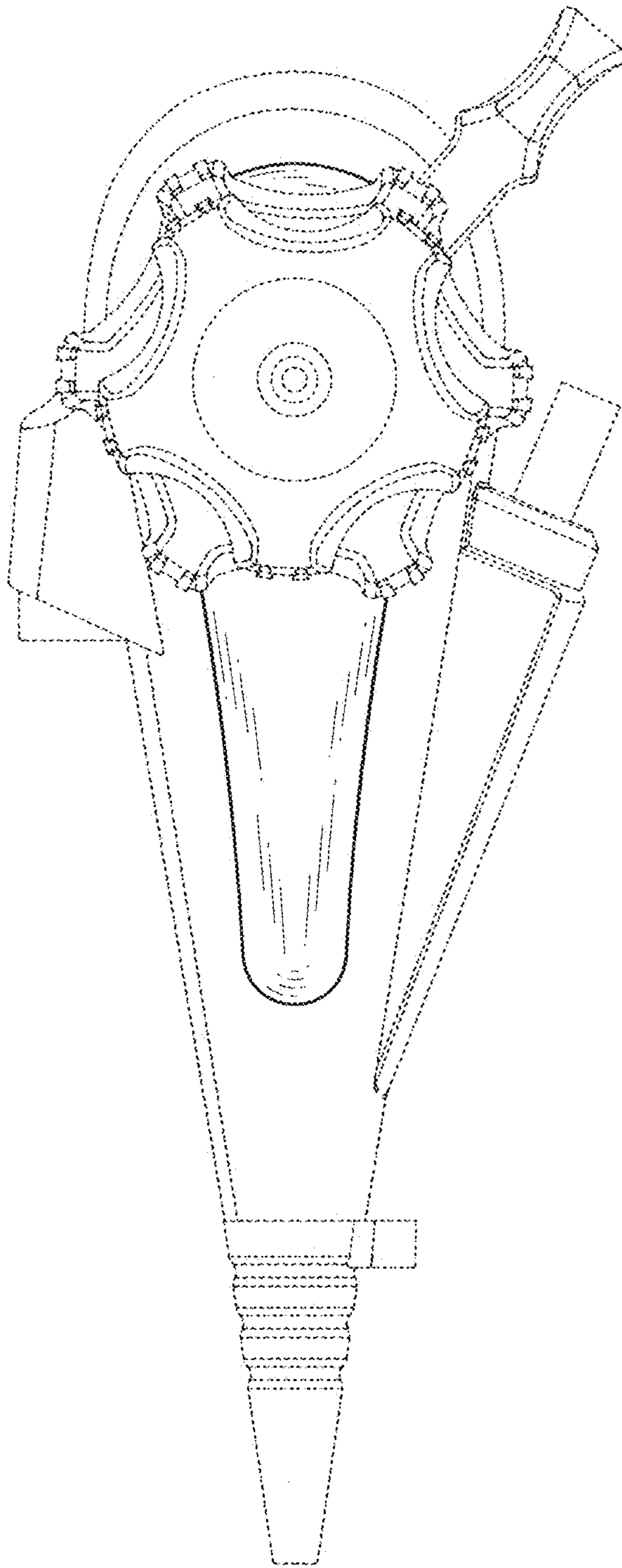
**1 Claim, 7 Drawing Sheets**



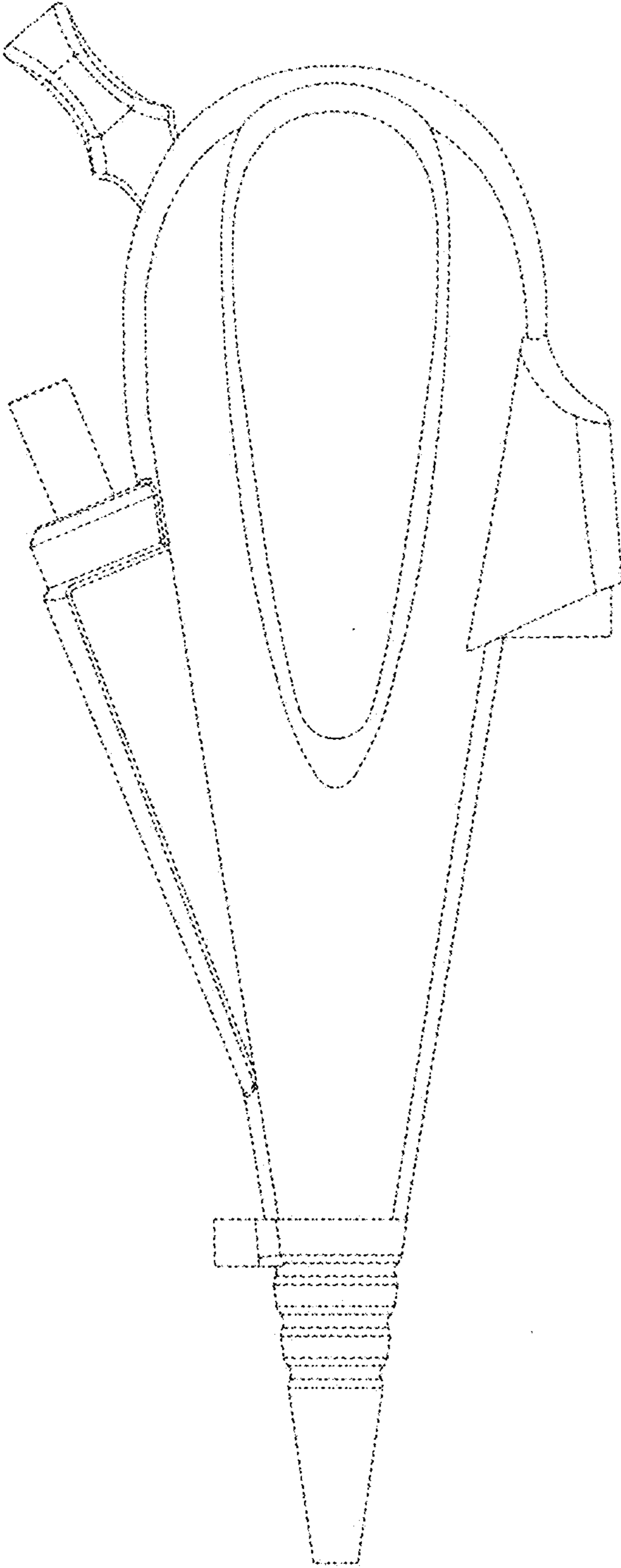
**FIG.1**



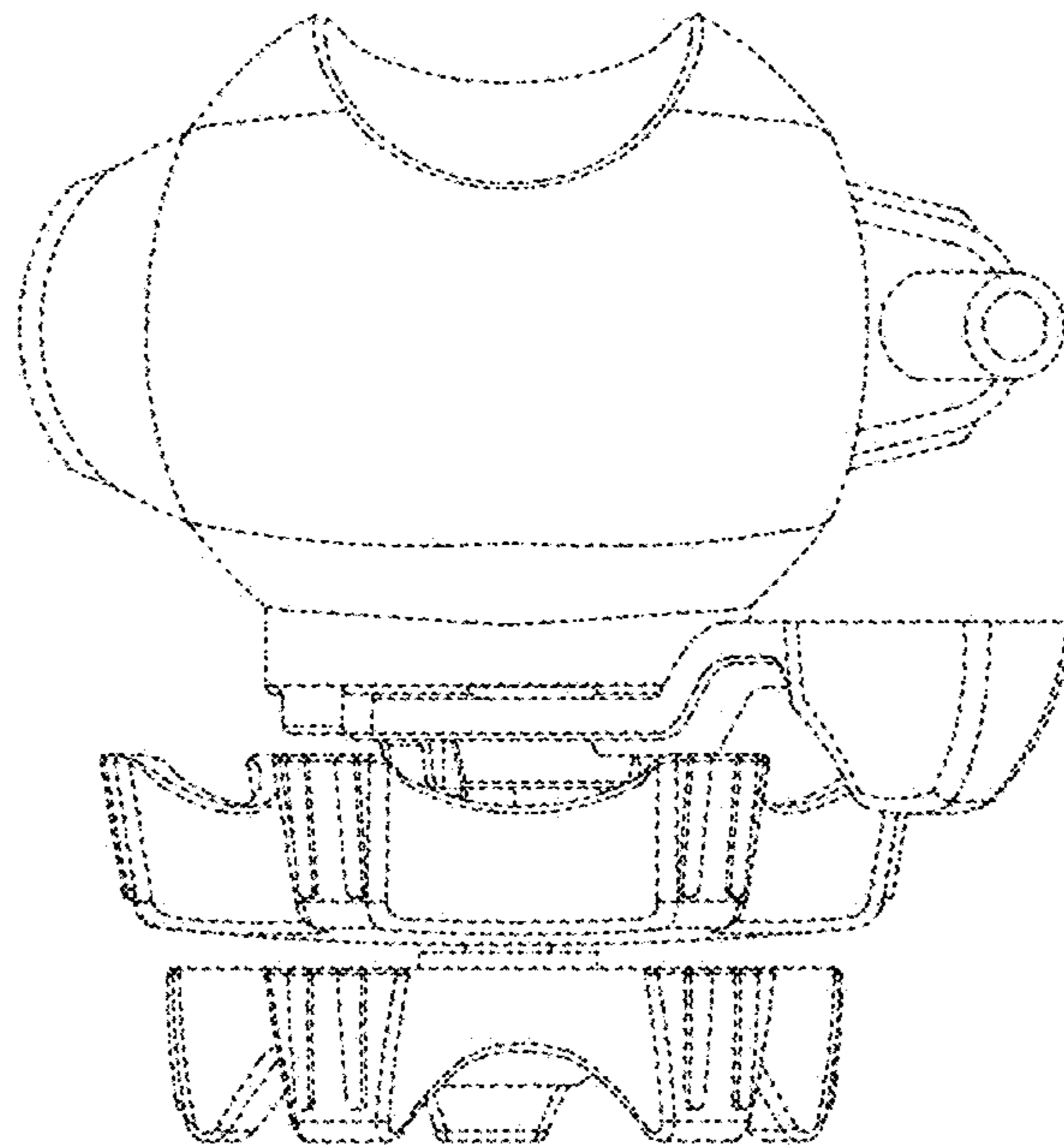
**FIG.2**



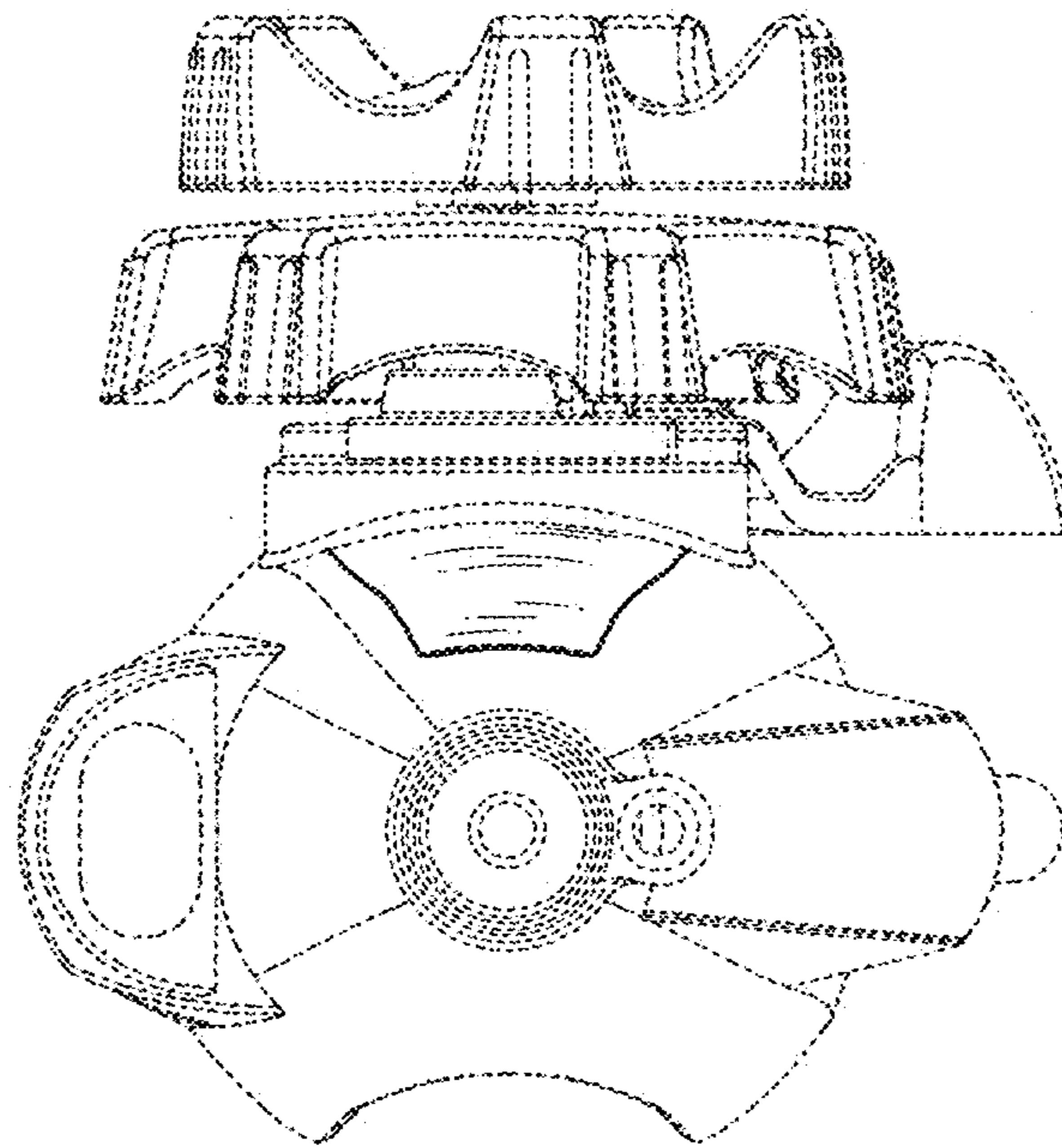
**FIG.3**



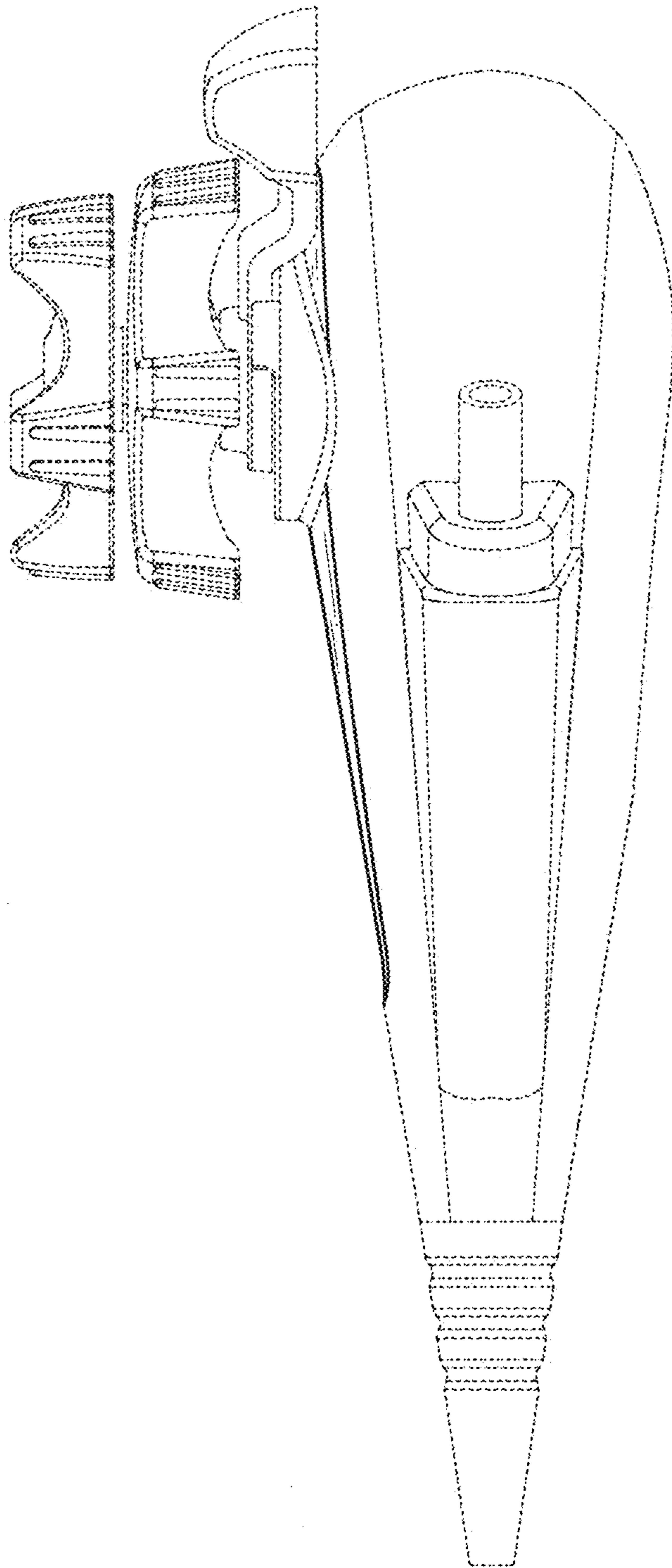
**FIG.4**



**FIG. 5**



**FIG.6**



**FIG.7**

