



US00D964559S

(12) **United States Design Patent**  
**Fujii et al.**

(10) **Patent No.:** **US D964,559 S**

(45) **Date of Patent:** **\*\* Sep. 20, 2022**

(54) **HANDLE FOR CATHETERS**

(71) Applicant: **Toray Industries, Inc.**, Tokyo (JP)

(72) Inventors: **Kohei Fujii**, Otsu (JP); **Yumi Oka**, Otsu (JP); **Hiroyuki Terasaka**, Okazaki (JP)

(73) Assignee: **Toray Industries, Inc.**, Tokyo (JP)

(\*\*) Term: **15 Years**

(21) Appl. No.: **29/751,693**

(22) Filed: **Sep. 23, 2020**

(30) **Foreign Application Priority Data**

Mar. 31, 2020 (JP) ..... 2020-006196 D

(51) **LOC (13) Cl.** ..... **24-02**

(52) **U.S. Cl.**  
USPC ..... **D24/130**

(58) **Field of Classification Search**  
USPC ..... D24/127-131, 112-114, 133, 186, 231  
CPC ..... A61M 25/00; A61M 25/0043; A61M 25/0097; A61M 39/00  
See application file for complete search history.

(56) **References Cited**

**U.S. PATENT DOCUMENTS**

D704,336 S *	5/2014	Chon	.....	D24/144
D720,850 S *	1/2015	Hsia	.....	D24/130
8,998,844 B2 *	4/2015	Reed	.....	A61M 25/0097 604/95.04
D747,801 S *	1/2016	Kwon	.....	D24/133
D751,194 S *	3/2016	Yu	.....	D24/130
D790,057 S *	6/2017	Ashman-Stauss	.....	D24/130
D798,443 S *	9/2017	Matthison-Hansen	.....	D24/128
D799,033 S *	10/2017	Ashman-Stauss	.....	D24/130
D827,818 S *	9/2018	Hillukka	.....	D24/130
D827,819 S *	9/2018	Hillukka	.....	D24/130

D881,391 S *	4/2020	Rogel	.....	D24/130
D899,592 S *	10/2020	Stucki	.....	D24/130
D901,683 S *	11/2020	Kalina, Jr.	.....	D24/127

(Continued)

**FOREIGN PATENT DOCUMENTS**

CN	305709319	*	4/2020
EM	008178610-0001	*	10/2020
EM	008835516-0001	*	4/2022

(Continued)

**OTHER PUBLICATIONS**

Handles for Steerable Catheters, Teleflex Medical OEM, [Post date Apr. 18, 2018], [Site seen May 10, 2022], Seen at URL: <https://www.teleflexmedicaloem.com/diagnostic-and-interventional-catheters/handles/> (Year: 2018).\*

(Continued)

*Primary Examiner* — Natasha Vujcic

*Assistant Examiner* — Gilbert B Ford

(74) *Attorney, Agent, or Firm* — DLA Piper LLP (US)

(57) **CLAIM**

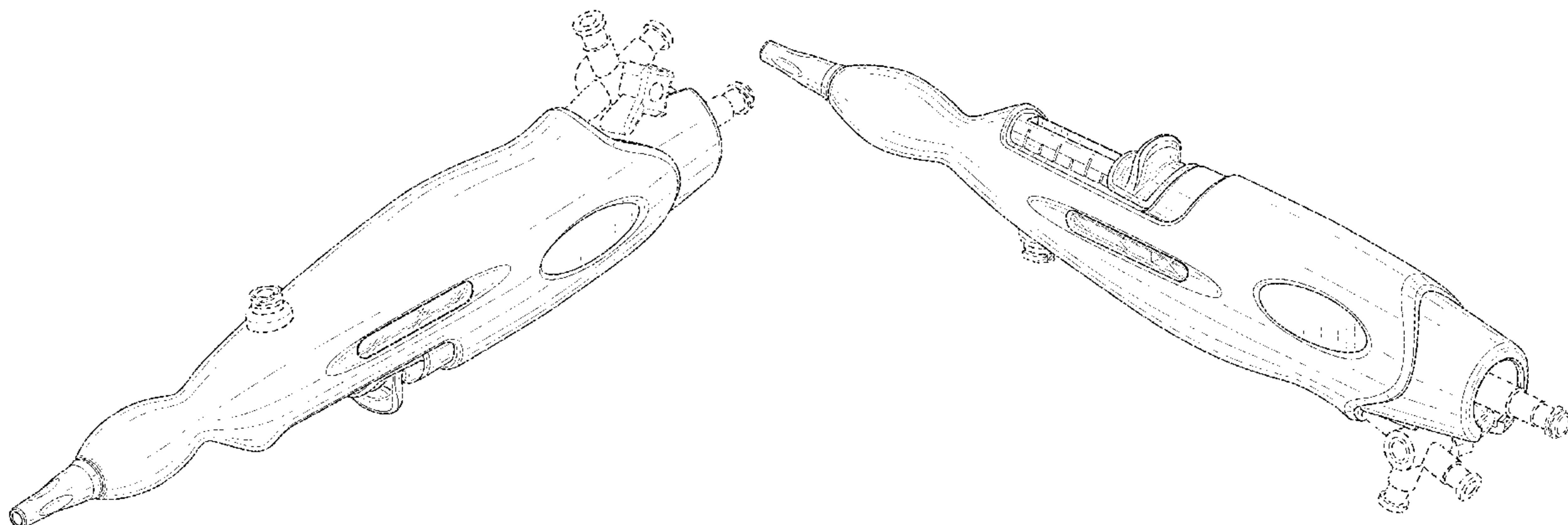
The ornamental design for a handle for catheters, as shown and described.

**DESCRIPTION**

FIG. 1 is a first perspective view of a handle for catheters; FIG. 2 is a second perspective view thereof; FIG. 3 is a front view thereof; FIG. 4 is a rear side view thereof; FIG. 5 is a left side view thereof; FIG. 6 is a right side view thereof; FIG. 7 is a top view thereof; and, FIG. 8 is a bottom view thereof.

The broken lines in the drawings illustrate portions of the handle for catheters and form no part of the claimed design.

**1 Claim, 8 Drawing Sheets**



(56)

**References Cited**

U.S. PATENT DOCUMENTS

D945,612 S \* 3/2022 Lund ..... D24/138  
D946,146 S \* 3/2022 Gee ..... D24/133

FOREIGN PATENT DOCUMENTS

JP D 805762-1 2/1992  
JP D 1348723 12/2008  
JP D 1665144 7/2020

OTHER PUBLICATIONS

Composer® Handle Platform, Freudenberg Medical, [Post date: unknown], [Site seen May 10, 2022], Seen at URL: <https://www.freudenbergmedical.com/en/what-we-offer/product-solutions/composer-handle-platform/> (Year: 2022).  
Notice of References for JP 2020-006196 dated Aug. 25, 2020 with translation.

\* cited by examiner

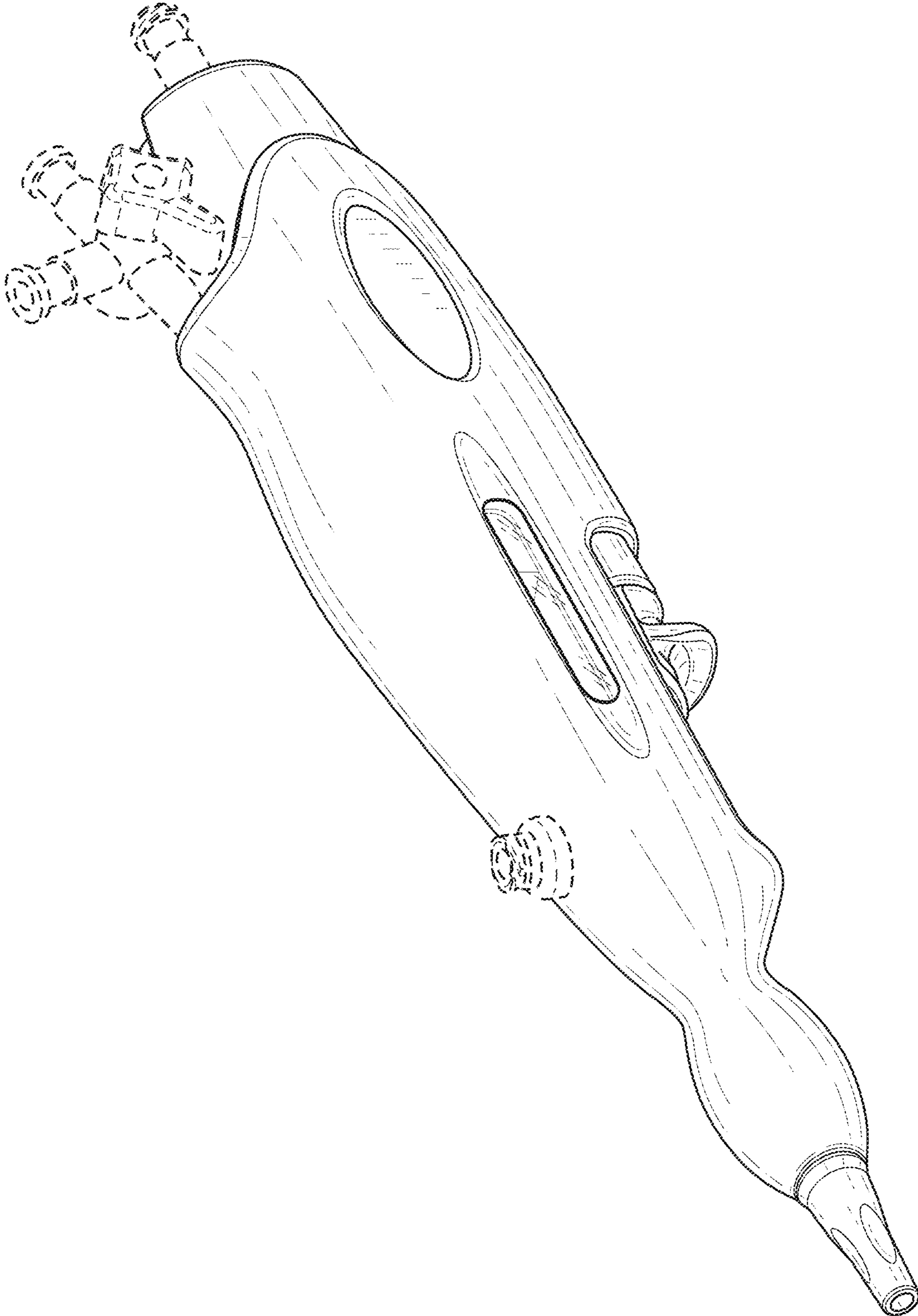


FIG. 1

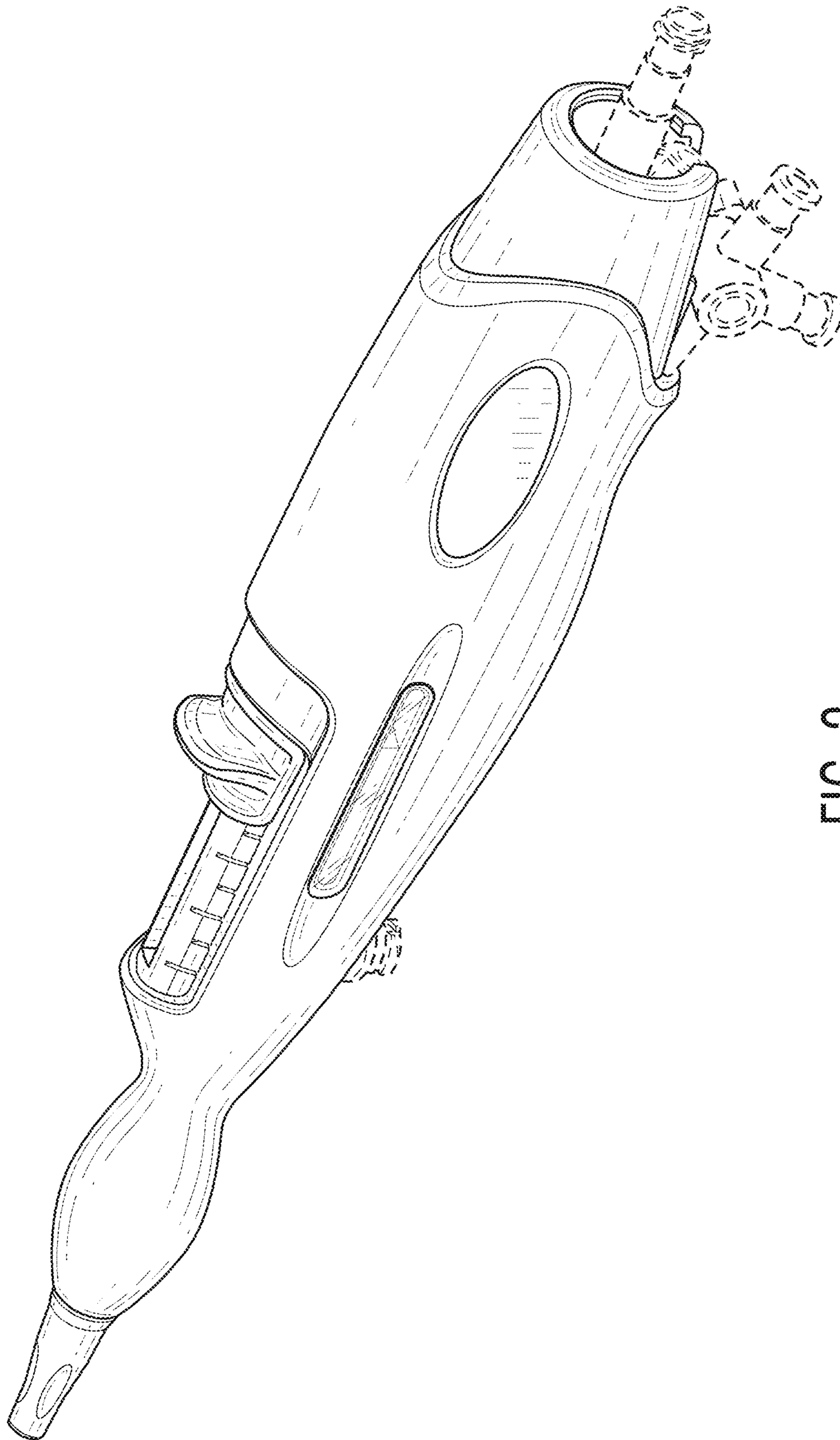


FIG. 2

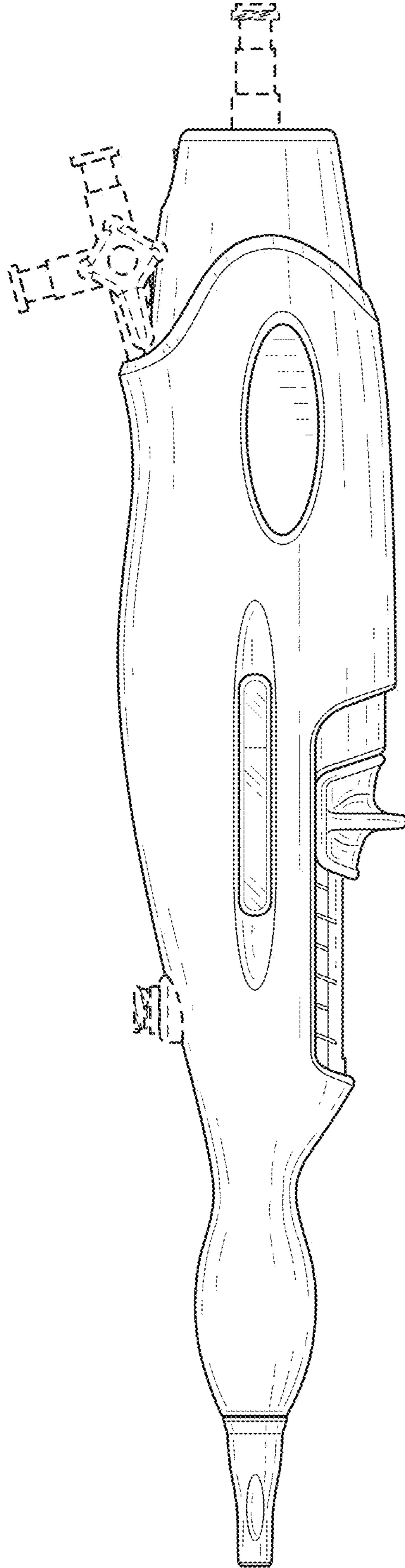


FIG. 3

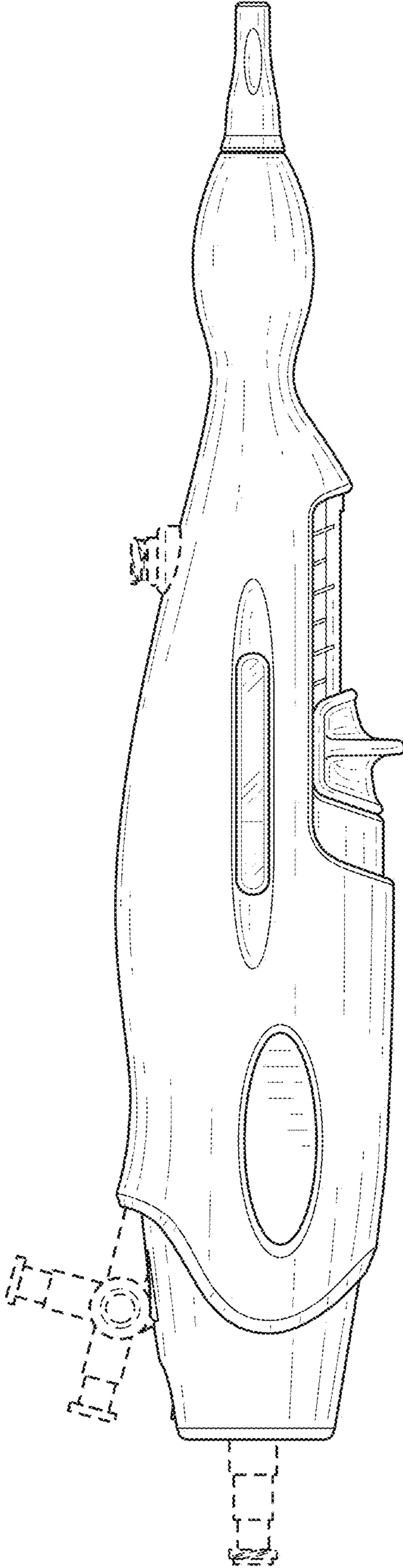


FIG. 4

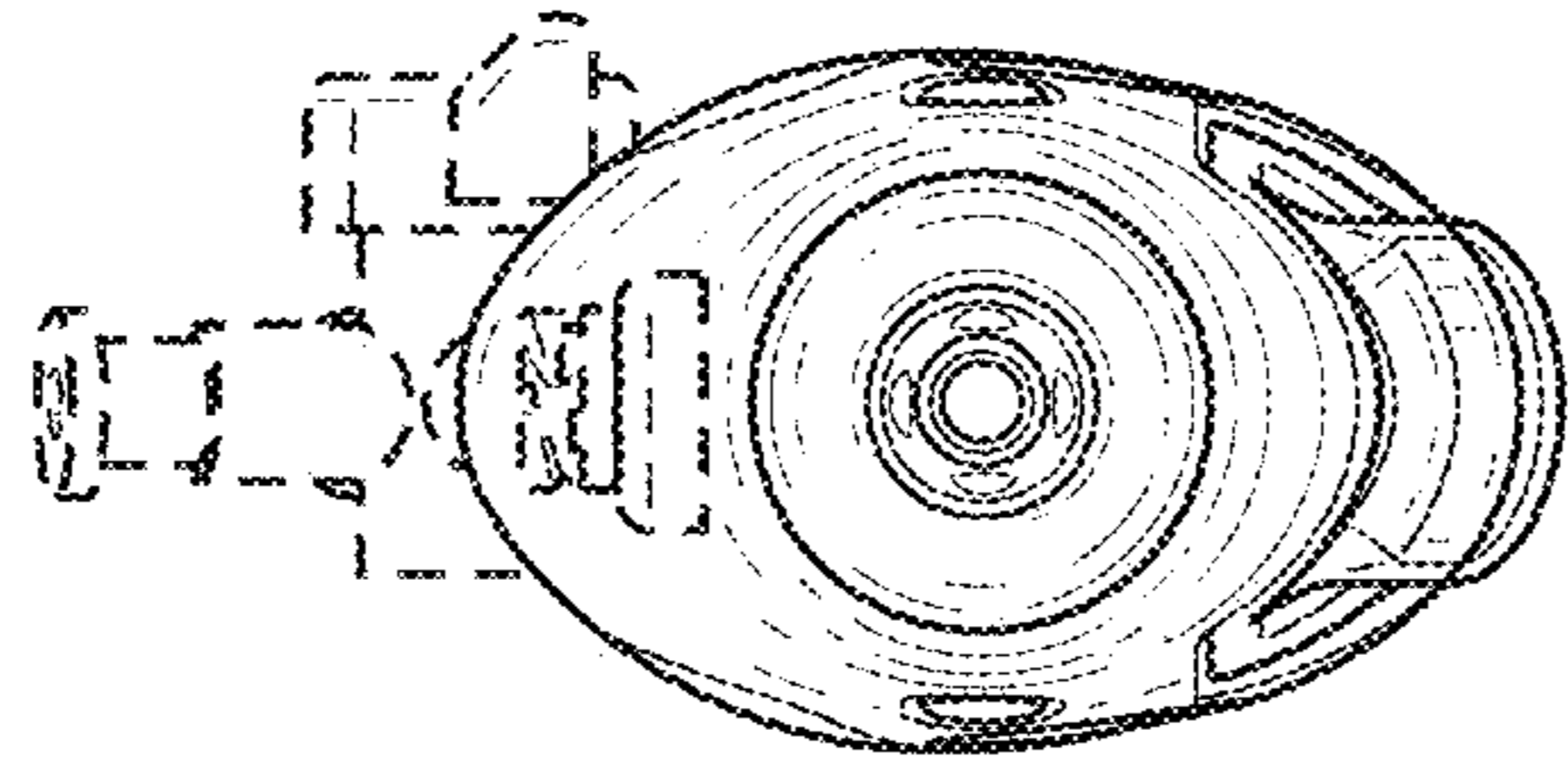


FIG. 5

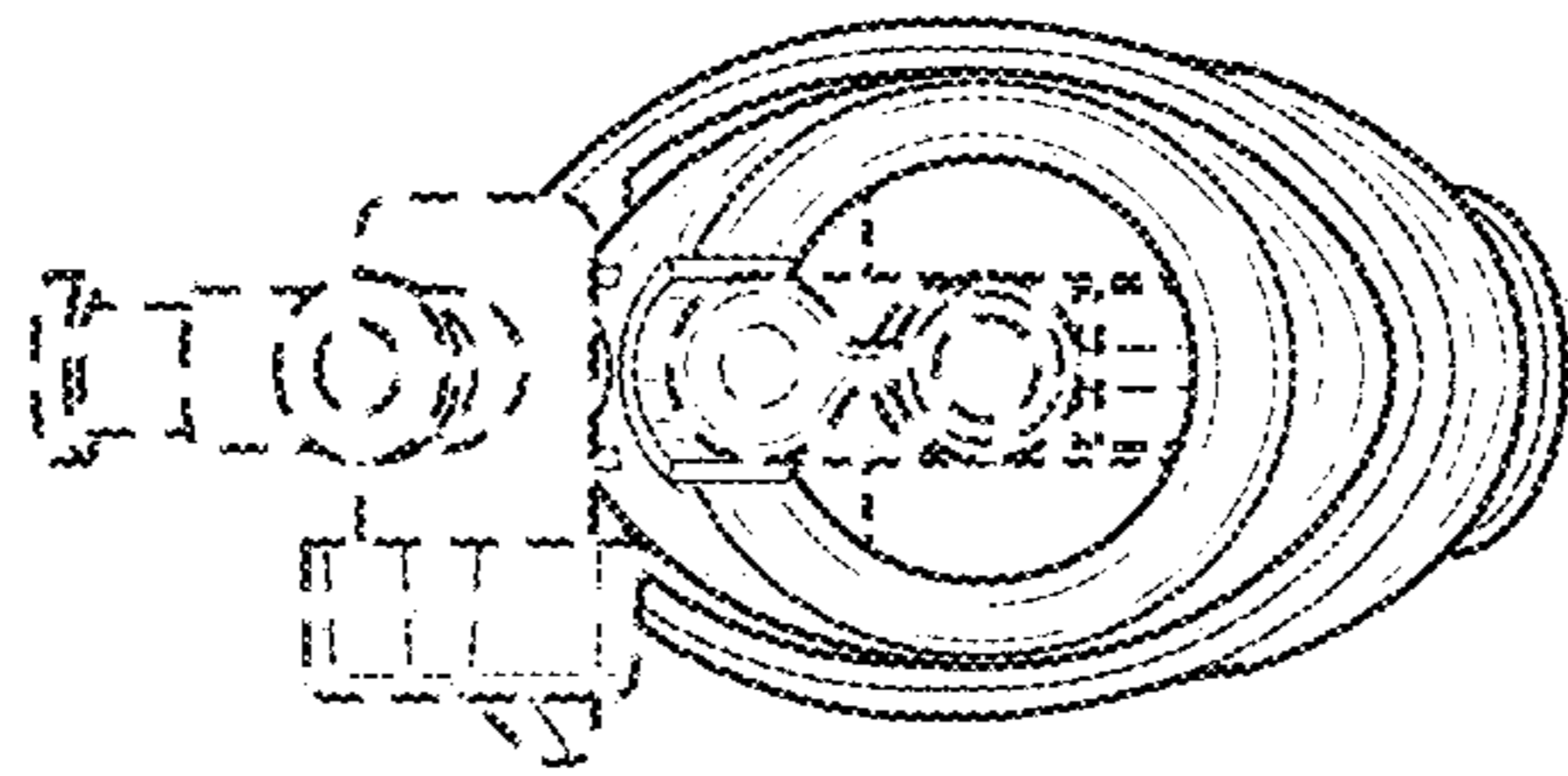


FIG. 6



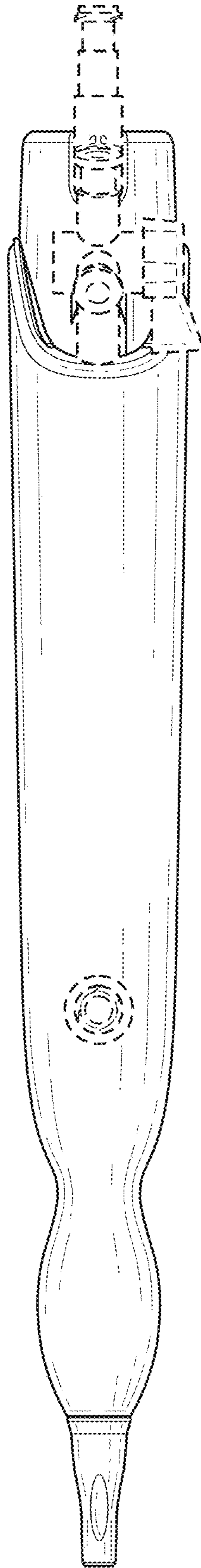


FIG. 7

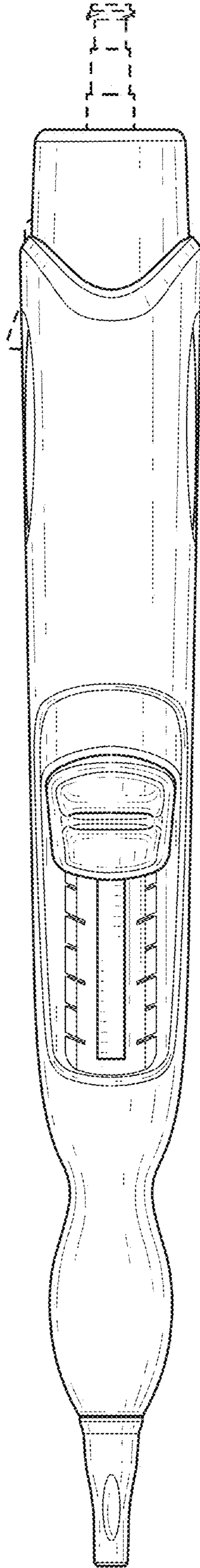


FIG. 8