



US00D964552S

(12) **United States Design Patent** (10) **Patent No.:** **US D964,552 S**
Best (45) **Date of Patent:** **** Sep. 20, 2022**

(54) **SWAB COMPONENT OF A DIAGNOSTIC DEVICE**

(71) Applicant: **Bayer Consumer Care AG**, Basel (CH)

(72) Inventor: **Michael Best**, Southampton (GB)

(73) Assignee: **Bayer Consumer Care AG**, Basel (CH)

(**) Term: **15 Years**

(21) Appl. No.: **29/777,138**

(22) Filed: **Apr. 2, 2021**

(51) **LOC (13) Cl.** **24-02**

(52) **U.S. Cl.**
USPC **D24/119**

(58) **Field of Classification Search**
USPC D24/119, 133, 144, 184, 186, 200, 214;
D8/315, 316
CPC A61B 18/2018; A61B 2018/0231; A61C
19/04; A61F 13/38; B01L 2300/0825;
B01L 3/5023; C12M 1/30; G01N
33/5302; B29C 2035/0877; B29K
2021/003; B29K 2033/08
See application file for complete search history.

(56) **References Cited**

U.S. PATENT DOCUMENTS

D379,508 S * 5/1997 Hudson D28/8
D416,389 S * 11/1999 Frazier D32/45

D456,078 S * 4/2002 Peterson D24/152
D589,620 S * 3/2009 Hickok D24/146
D705,426 S * 5/2014 Fiorina D24/152
D822,201 S * 7/2018 Decker D24/119
D914,202 S * 3/2021 Choate D24/119
D927,684 S * 8/2021 Cooper D24/119
D927,687 S * 8/2021 Stoklund D24/147
D940,304 S * 1/2022 Thau D24/119

* cited by examiner

Primary Examiner — Samantha Q Lawrence

(74) *Attorney, Agent, or Firm* — Lowenstein Sandler LLP

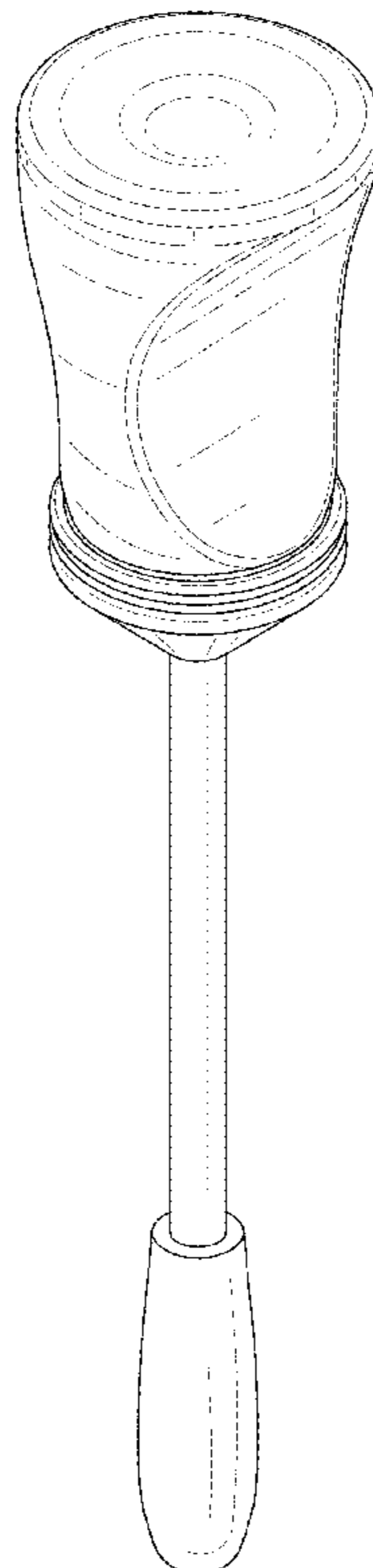
(57) **CLAIM**

The ornamental design for a swab component of a diagnostic device, as shown and described.

DESCRIPTION

FIG. 1 is a perspective view of a swab component of a diagnostic device showing our new design; FIG. 2 is a front elevation view thereof, the opposing rear elevation view (not shown) being a mirror image thereof; FIG. 3 is a side elevation view thereof, the opposing side elevation view (not shown) being a mirror image thereof; FIG. 4 is a top plan view thereof; and, FIG. 5 is a bottom plan view thereof.

1 Claim, 4 Drawing Sheets



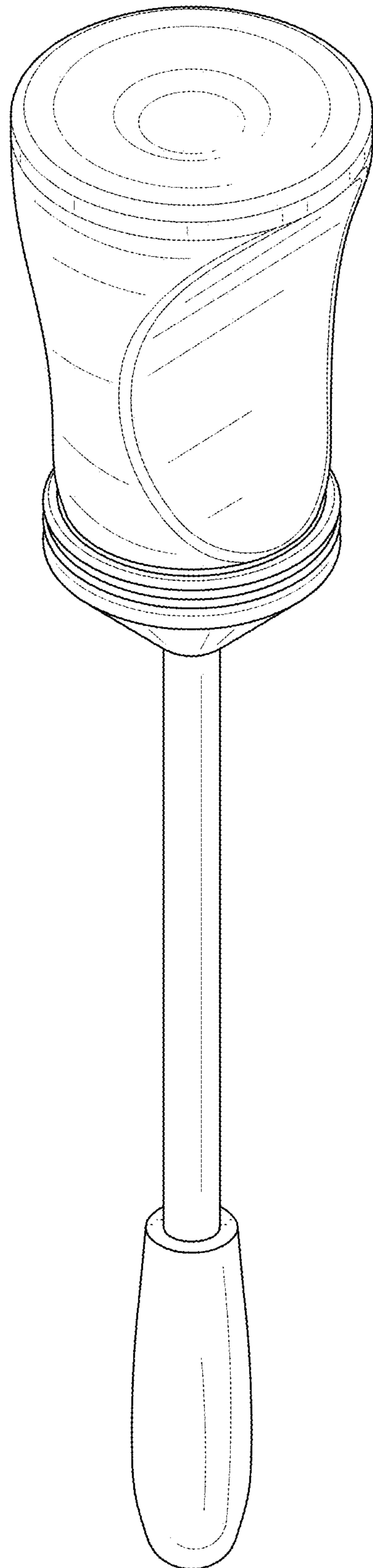


FIG. 1

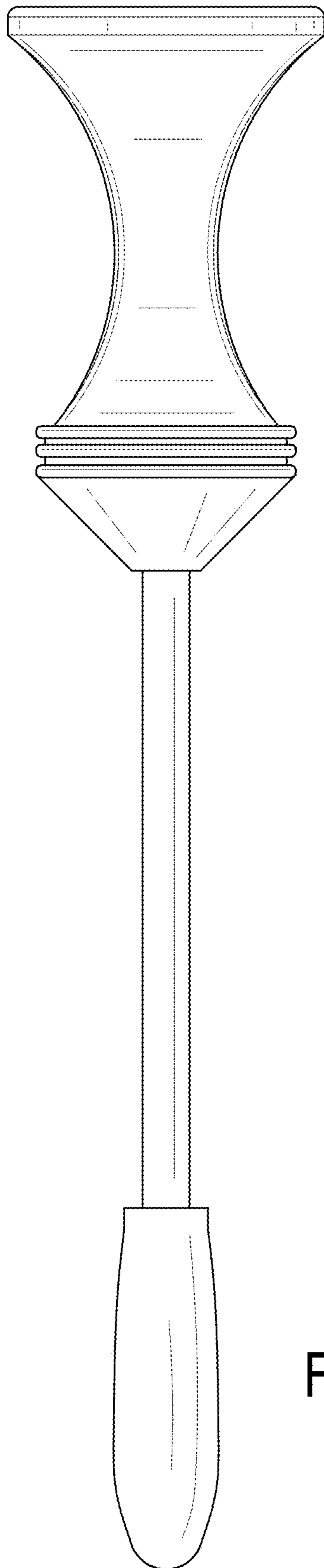


FIG. 2

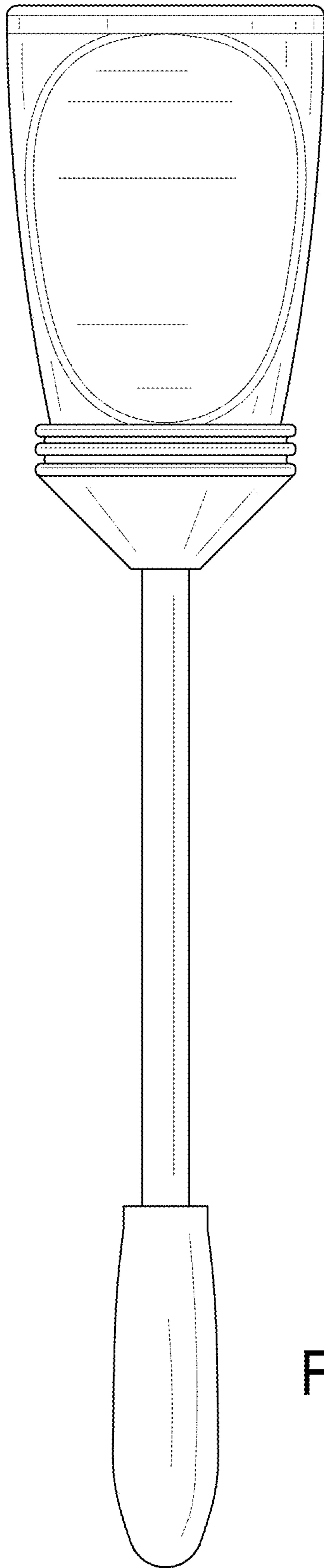


FIG. 3

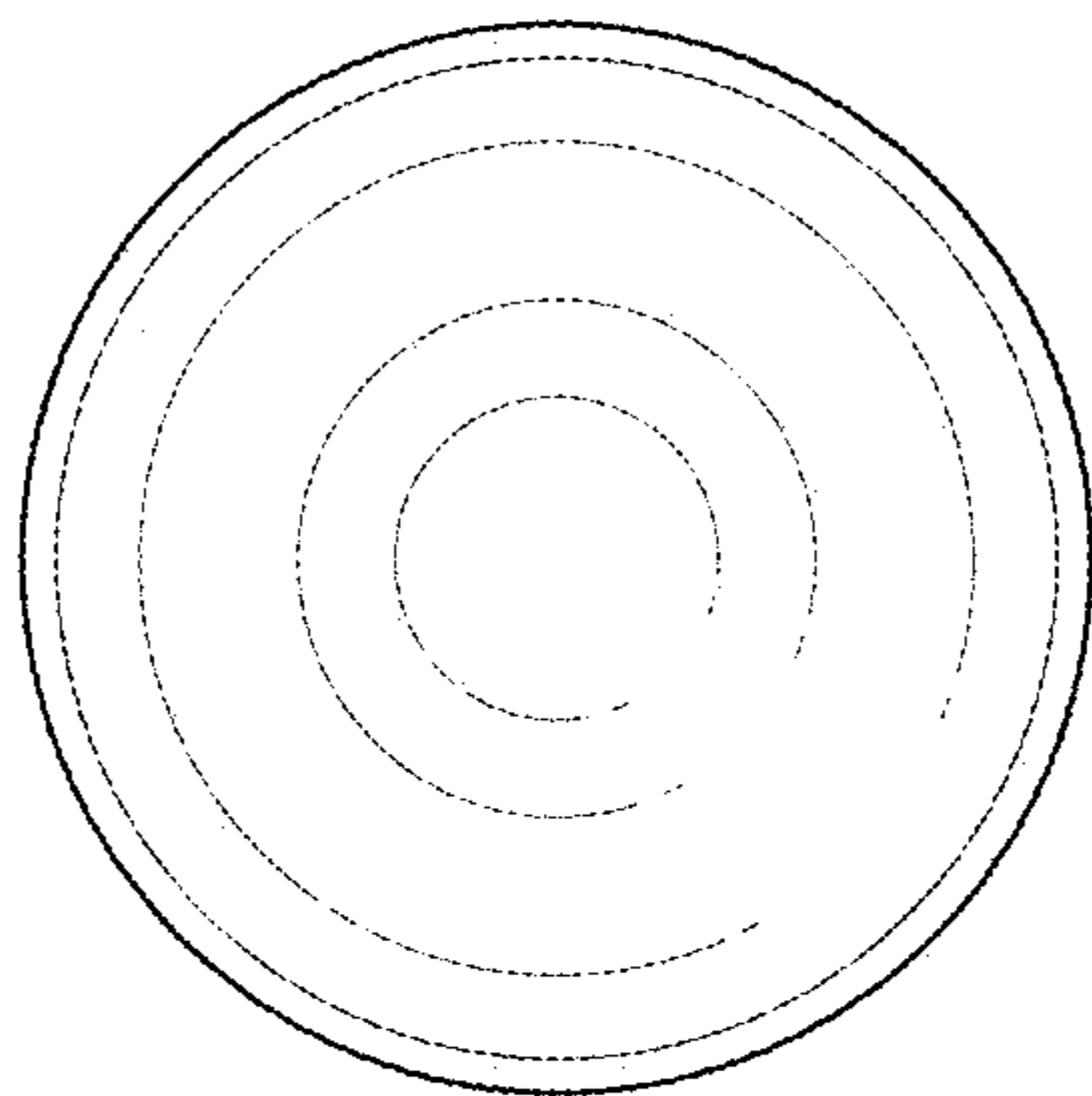


FIG. 4

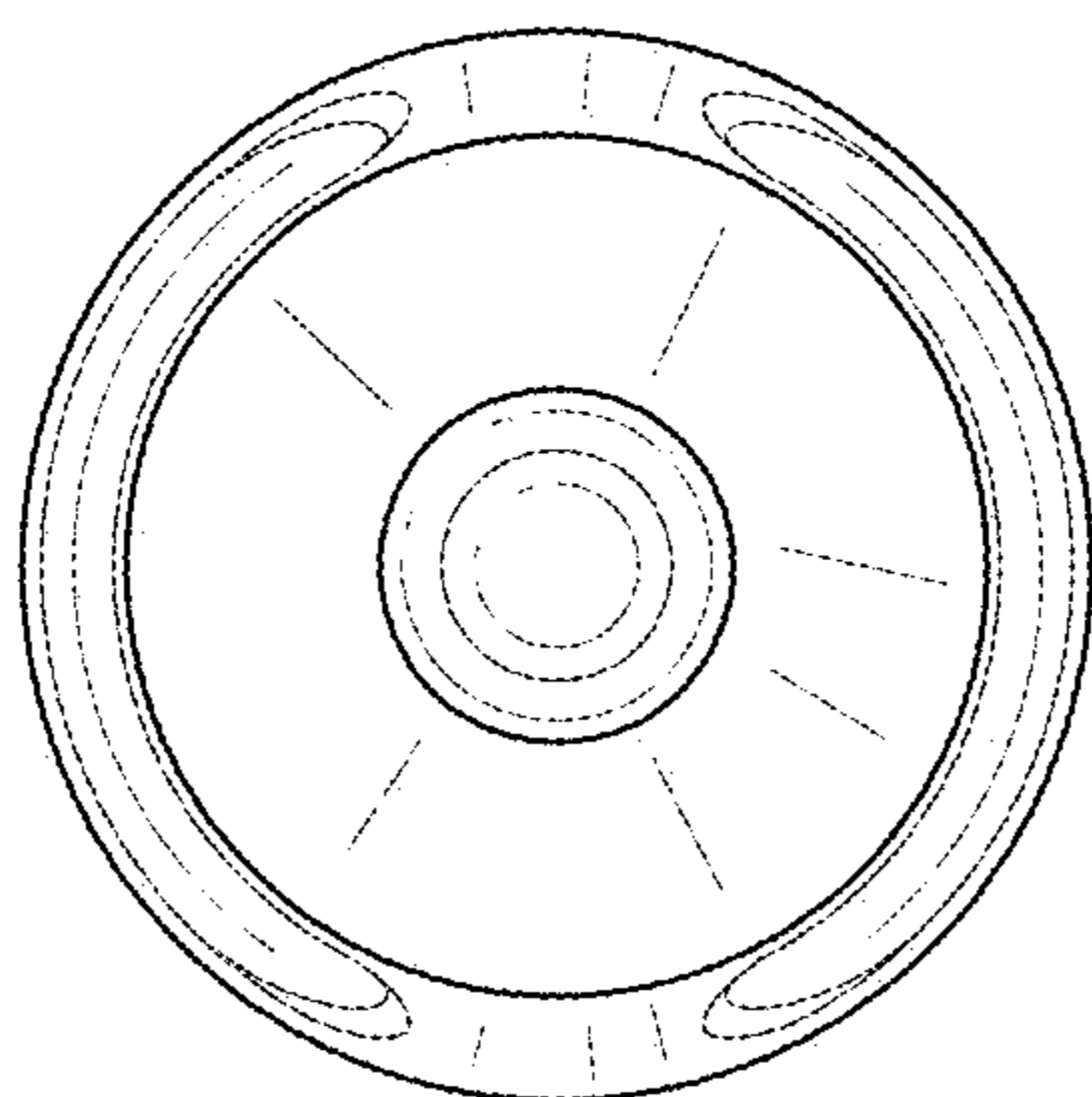


FIG. 5