

US00D964547S

(12) **United States Design Patent**  
**Chenal**

(10) **Patent No.:** **US D964,547 S**

(45) **Date of Patent:** **\*\* Sep. 20, 2022**

- (54) **EARPIECE DEVICE ASSEMBLY**
- (71) Applicant: **JMJ Holdings, LLC**, Frederic, WI (US)
- (72) Inventor: **David M. Chenal**, Frederic, WI (US)
- (73) Assignee: **JMJ Holdings, LLC**, Frederic, WI (US)
- (\*\*) Term: **15 Years**
- (21) Appl. No.: **29/769,169**
- (22) Filed: **Feb. 3, 2021**
- (51) **LOC (13) Cl.** ..... **28-01**
- (52) **U.S. Cl.**  
USPC ..... **D24/106**
- (58) **Field of Classification Search**  
USPC ..... D9/440, 447; D24/106; D14/205, 224  
CPC ..... A61F 2011/08; A61F 2011/085; A61F 13/2005; A61F 13/2042; A61B 17/12104; A61B 17/12159  
See application file for complete search history.

(56) **References Cited**

**U.S. PATENT DOCUMENTS**

- D259,279 S \* 5/1981 Takeda ..... A61F 11/08 D24/174
- D539,415 S \* 3/2007 Fleming ..... A61F 11/08 D24/106
- D611,929 S \* 3/2010 Blanchard ..... A61M 11/007 D14/205

- D624,999 S \* 10/2010 Turdjian ..... A61F 11/08 D24/106
- D745,135 S \* 12/2015 Butler ..... A61F 11/08 D24/106
- D938,574 S \* 12/2021 Guo ..... D24/106
- 2002/0066455 A1\* 6/2002 Falco ..... A61F 11/08 128/864
- 2010/0294285 A1\* 11/2010 Turdjian ..... A61F 11/08 128/867
- 2014/0190494 A1\* 7/2014 Ely ..... A61F 11/08 128/868
- 2015/0047651 A1\* 2/2015 Haapapuro ..... A61F 11/12 128/866
- 2021/0069481 A1\* 3/2021 Åhnblad ..... A61M 11/007

\* cited by examiner

*Primary Examiner* — Calvin E Vansant

(74) *Attorney, Agent, or Firm* — Charles A. Lemaire; Jonathan M. Rixen; Lemaire Patent Law Firm, P.L.L.C.

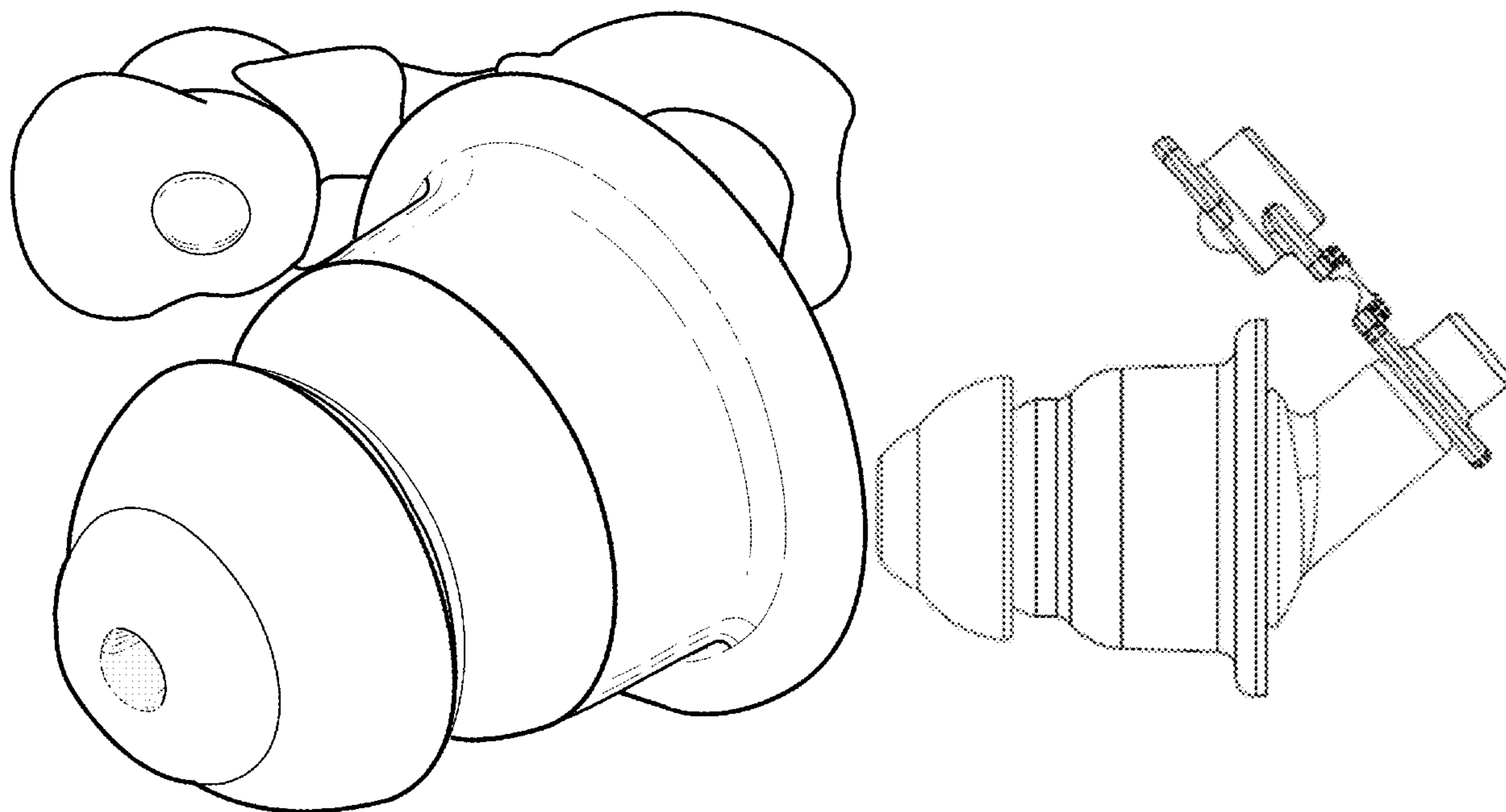
(57) **CLAIM**

The ornamental design for an earpiece device assembly, as shown and described.

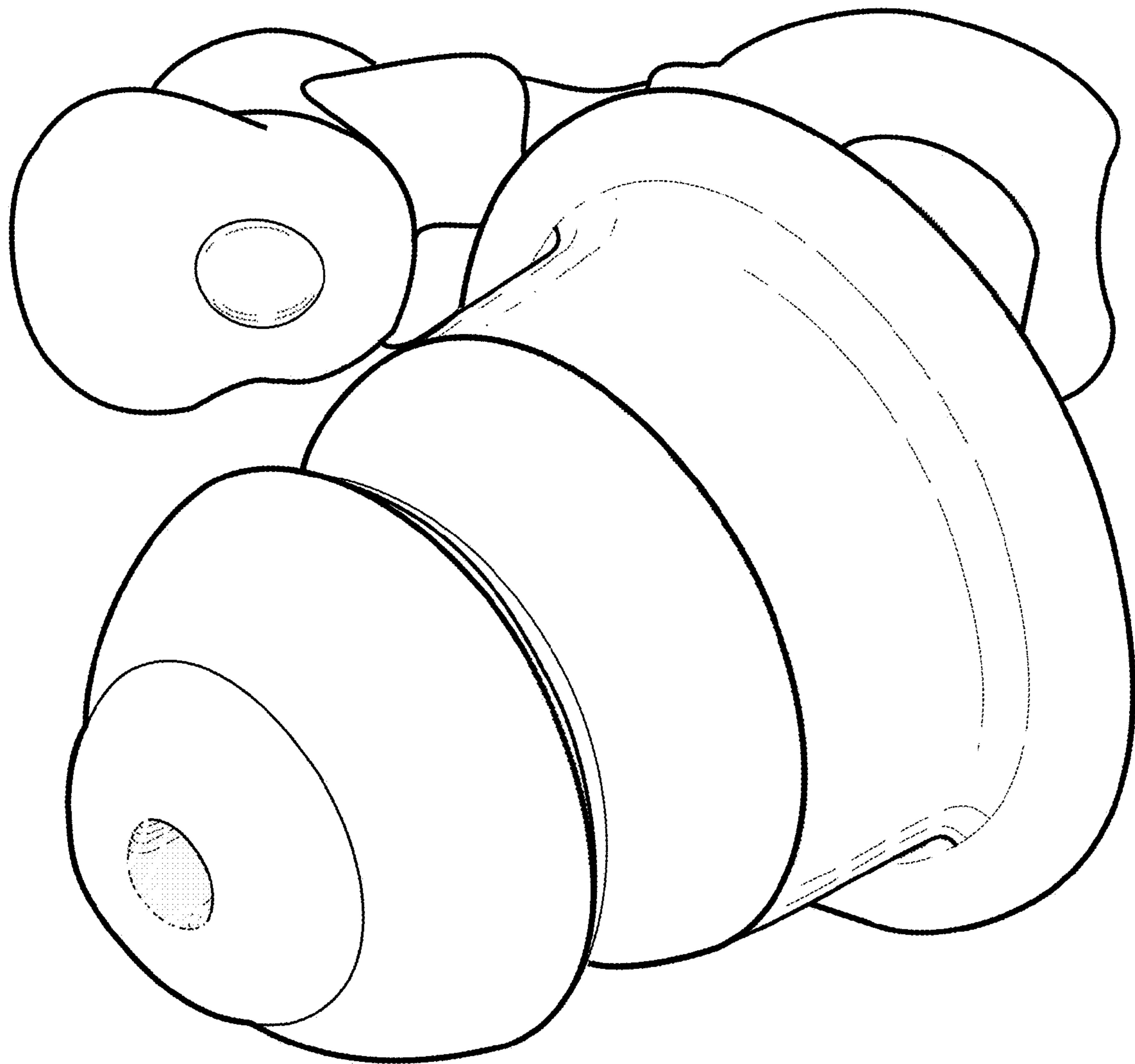
**DESCRIPTION**

FIG. 1 is a perspective view of the earpiece device assembly having a new ornamental design; FIG. 2 is a bottom view thereof; FIG. 3 is a top view thereof; FIG. 4 is a left-side view thereof; FIG. 5 is a right-side view thereof; FIG. 6 is a front view thereof; and, FIG. 7 is a back view thereof.

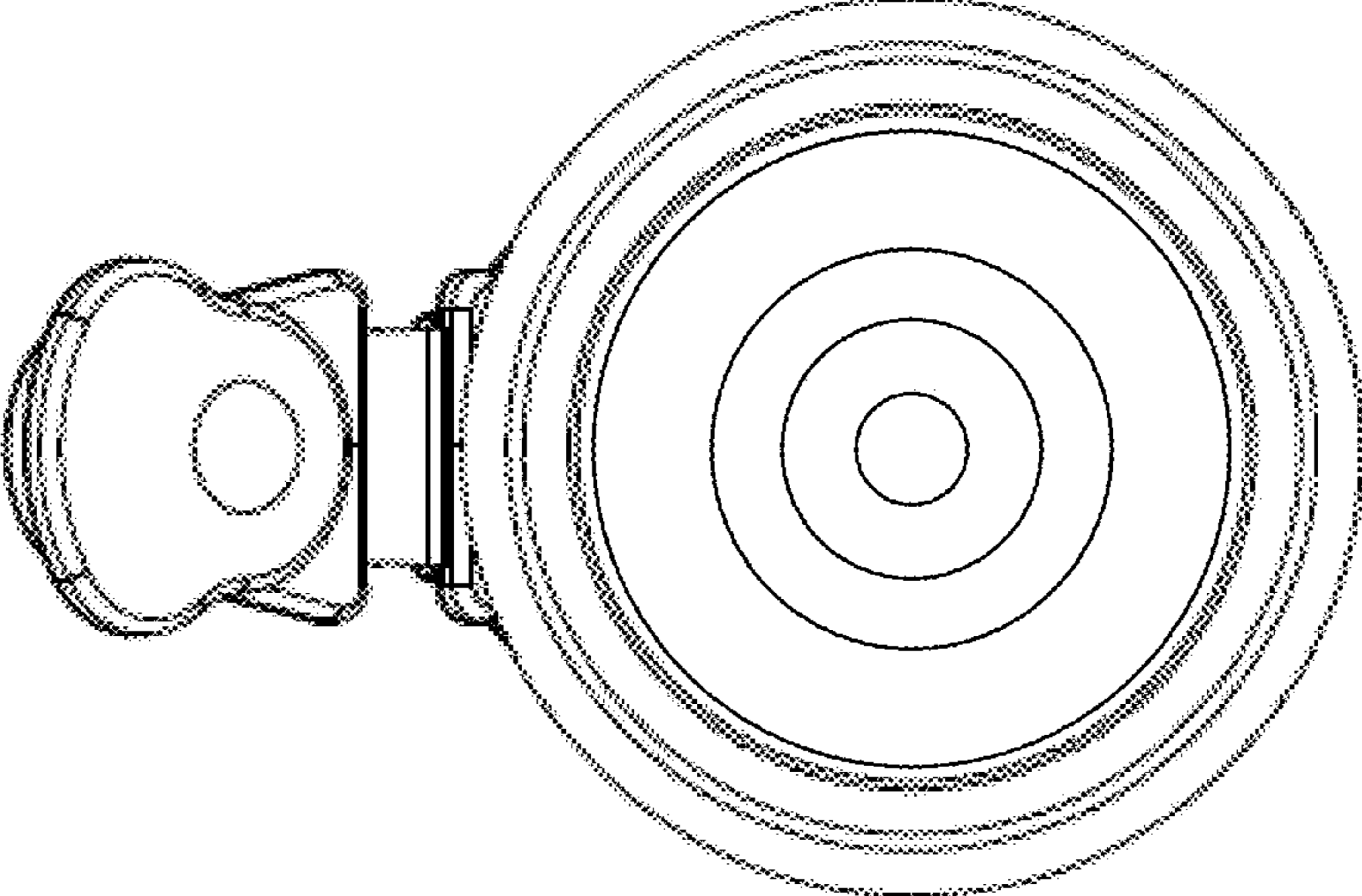
**1 Claim, 4 Drawing Sheets**



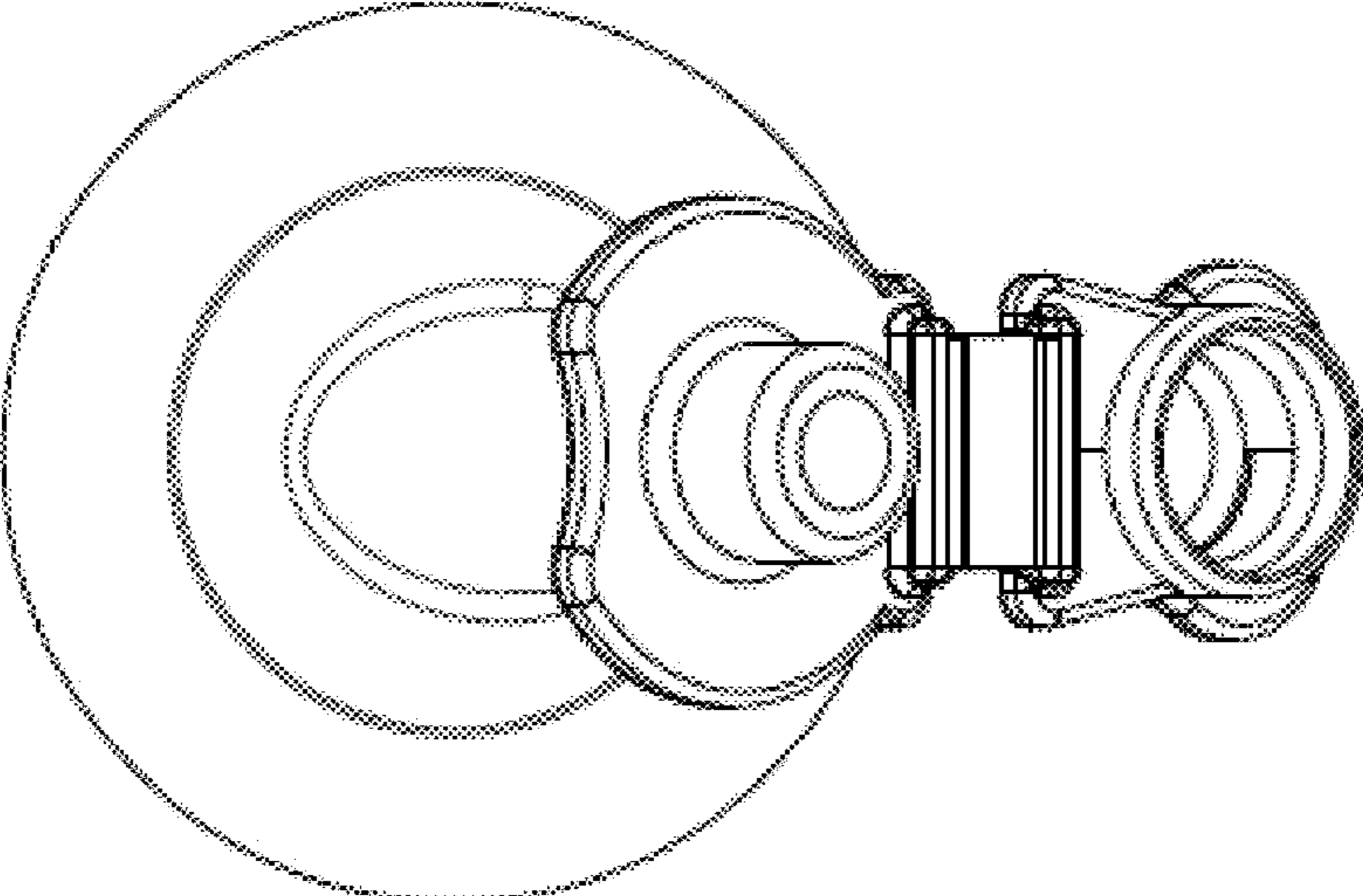
*FIG. 1*



**FIG. 2**

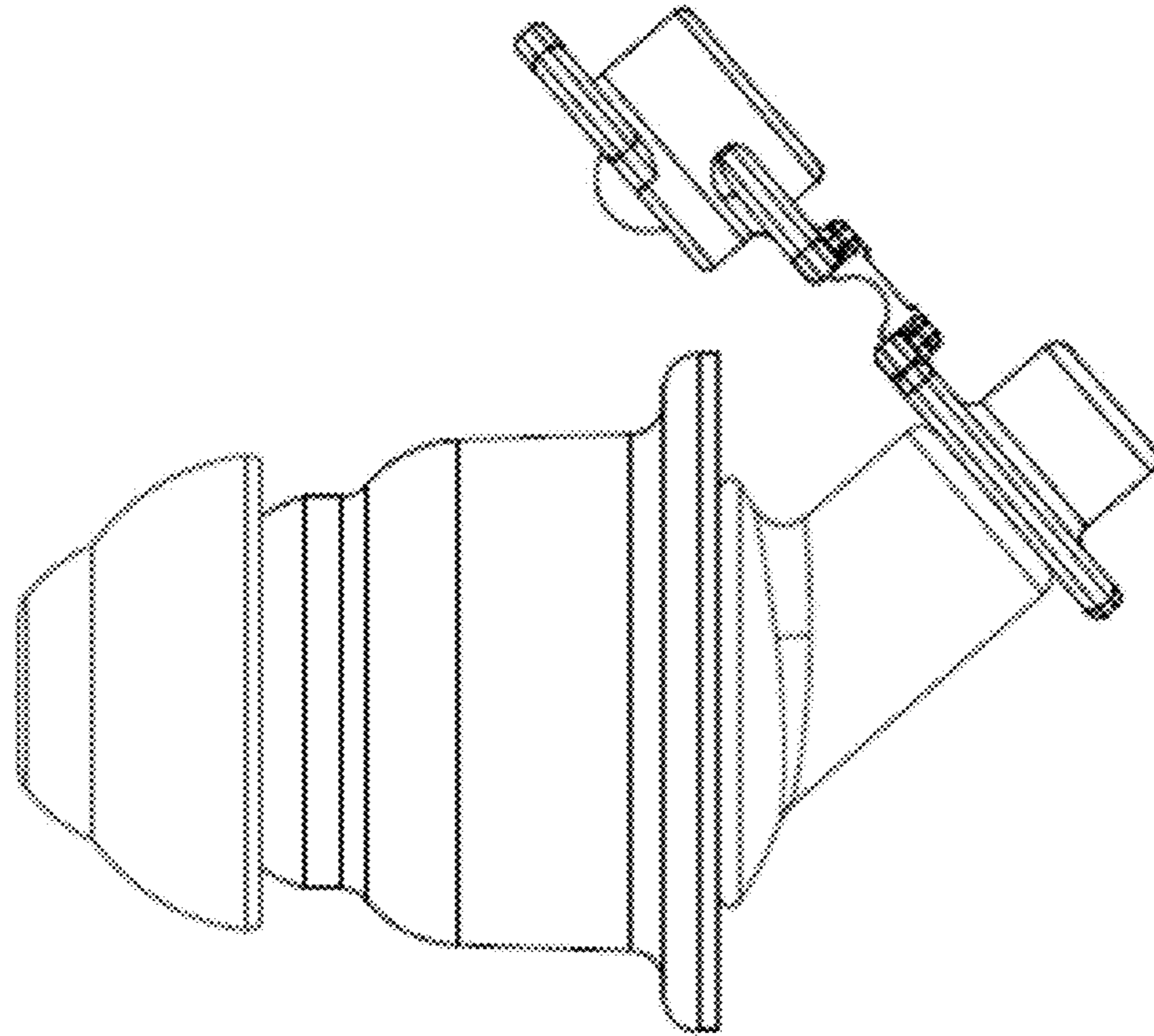


**FIG. 3**

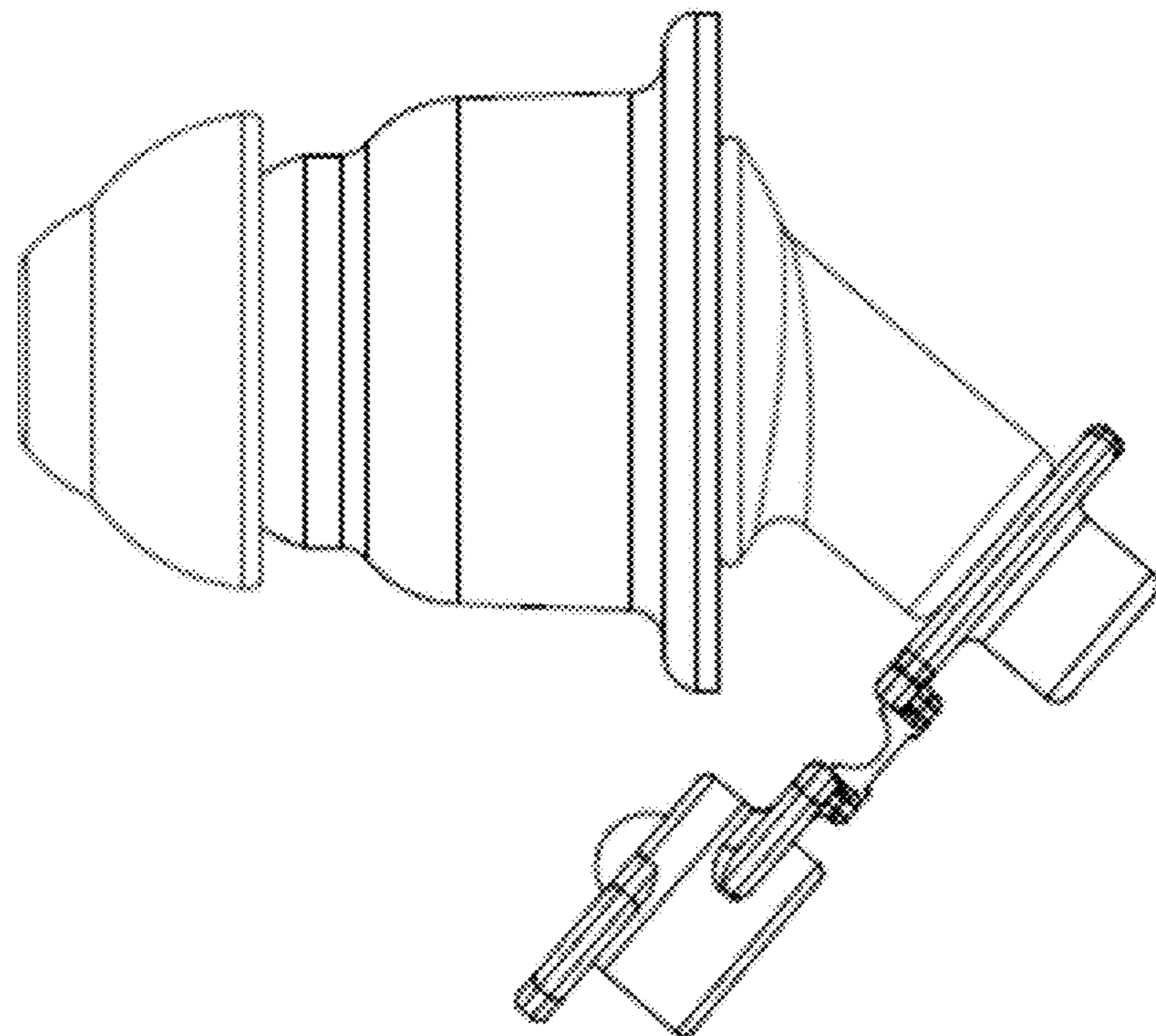




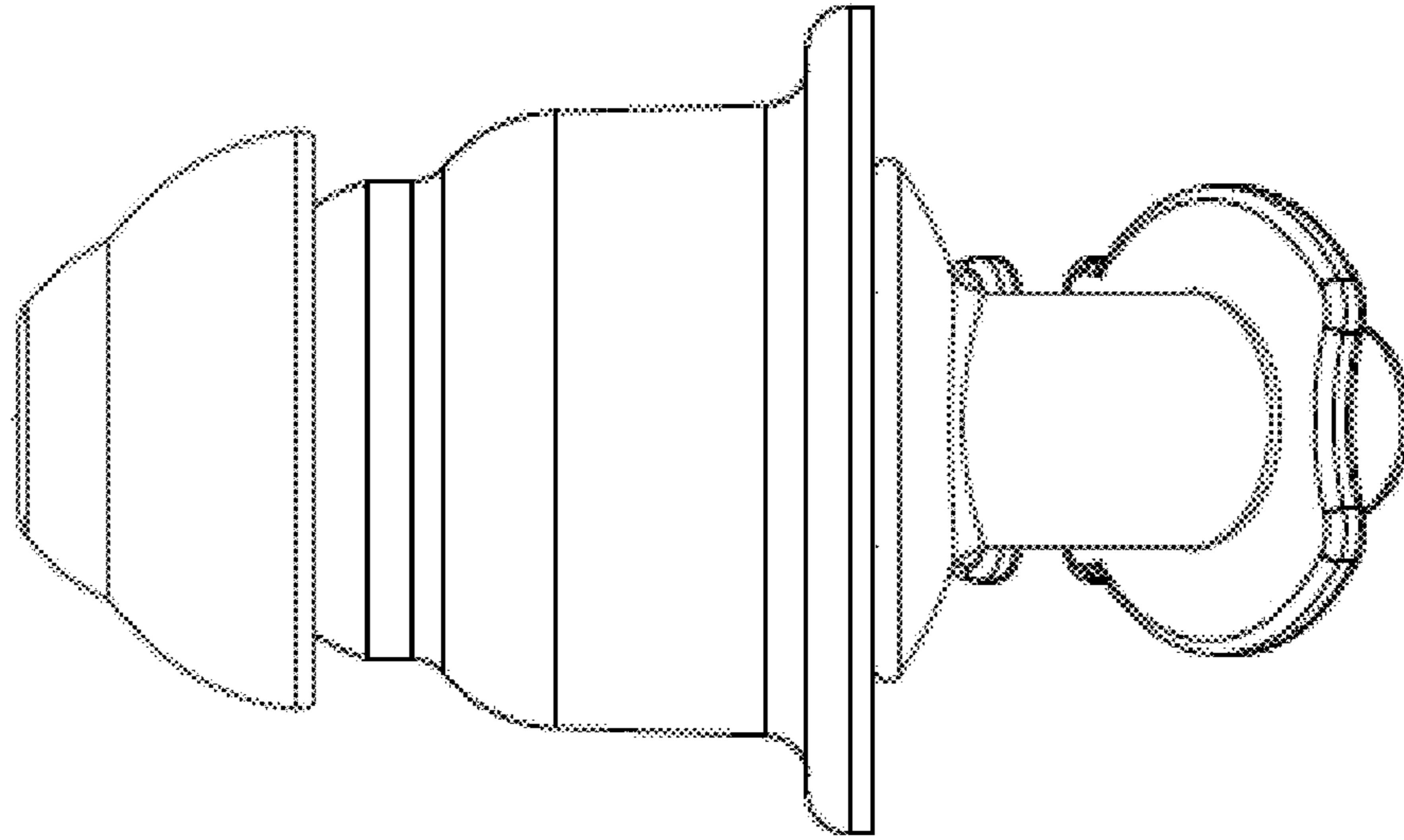
**FIG. 4**



**FIG. 5**



**FIG. 6**



**FIG. 7**

