



US00D964544S

(12) **United States Design Patent**
Zou

(10) **Patent No.:** **US D964,544 S**
(45) **Date of Patent:** **** Sep. 20, 2022**

(54) **PORTABLE FAN**

(71) Applicant: **SHENZHEN GAIYATUOPU NETWORK TECHNOLOGY CO., LTD.**, Shenzhen (CN)

(72) Inventor: **Bei Zou**, Shenzhen (CN)

(73) Assignee: **SHENZHEN GAIYATUOPU NETWORK TECHNOLOGY CO., LTD.**, Shenzhen (CN)

(**) Term: **15 Years**

(21) Appl. No.: **29/814,352**

(22) Filed: **Nov. 5, 2021**

(51) **LOC (13) Cl.** **23-04**

(52) **U.S. Cl.**
USPC **D23/382**

(58) **Field of Classification Search**
USPC D23/328, 332-337, 351-352, 370, 378,
D23/380-383

CPC F04D 25/0673; F04D 25/08; F04D 25/084;
F04D 25/086

See application file for complete search history.

(56) **References Cited**

U.S. PATENT DOCUMENTS

D257,491 S * 11/1980 Cousins D23/370
6,155,782 A * 12/2000 Hsu F04D 25/084
416/246

D796,023 S 8/2017 Dou et al.
D837,963 S * 1/2019 Xu D23/382
D856,505 S 8/2019 Sykes
D879,283 S * 3/2020 Liao D23/382
D885,555 S * 5/2020 Wang D23/382
D893,699 S * 8/2020 Zhu D23/382
D902,373 S * 11/2020 Xu D23/382
D907,187 S * 1/2021 Li D23/382
D937,402 S * 11/2021 Zhao D23/382
D940,294 S * 1/2022 Park D23/382
D940,295 S * 1/2022 Li D23/382
D940,850 S * 1/2022 He D23/382
D952,117 S * 5/2022 Gao D23/370

* cited by examiner

Primary Examiner — Sharon S Oum

(57) **CLAIM**

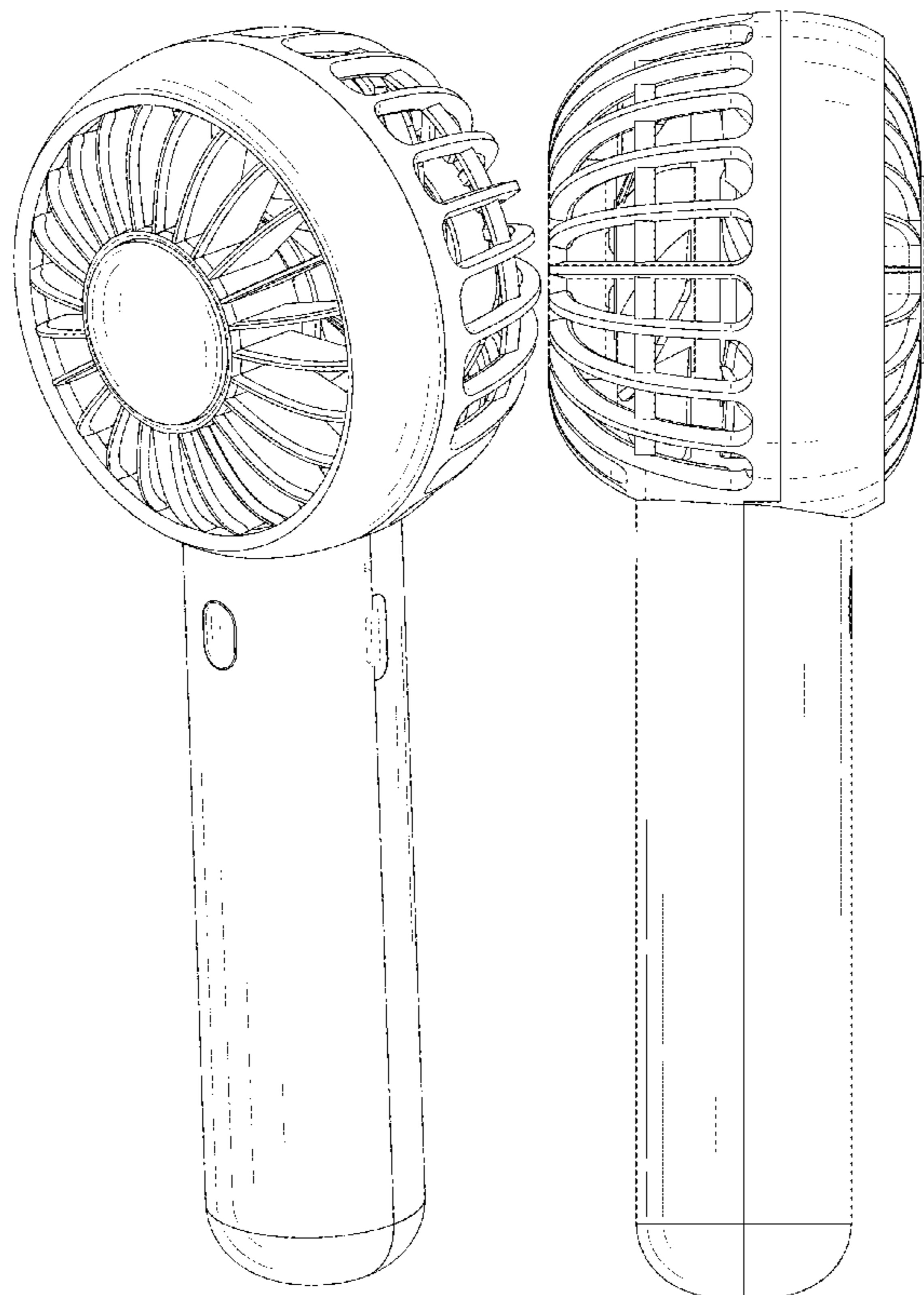
The ornamental design for a portable fan, as shown and described.

DESCRIPTION

FIG. 1 is a perspective view of a portable fan showing my new design;
FIG. 2 is another perspective view thereof;
FIG. 3 is a front elevational view thereof;
FIG. 4 is a rear elevational view thereof;
FIG. 5 is a left side elevational view thereof;
FIG. 6 is a right side elevational view thereof;
FIG. 7 is a top plan view thereof; and,
FIG. 8 is a bottom plan view thereof.

The broken lines in the drawings depict portions of the portable fan that form no part of the claimed design.

1 Claim, 8 Drawing Sheets



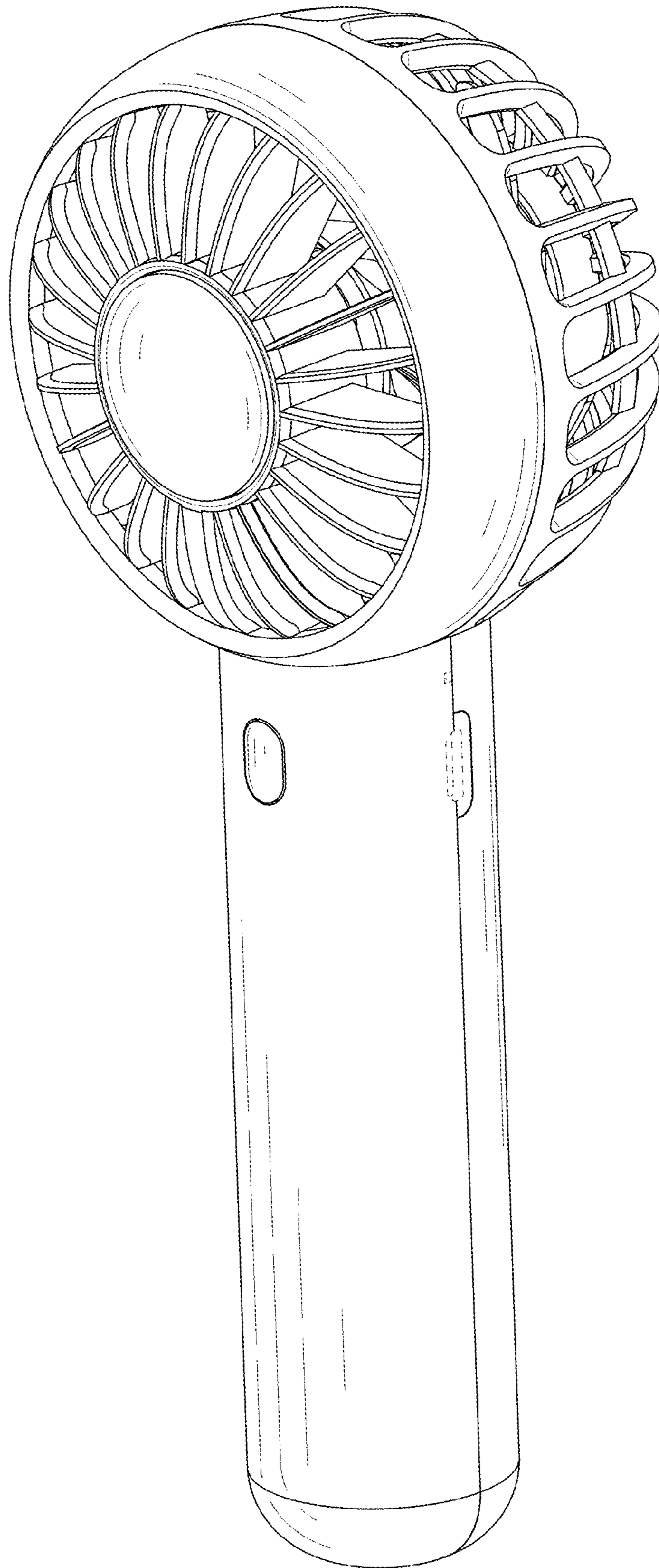


FIG. 1

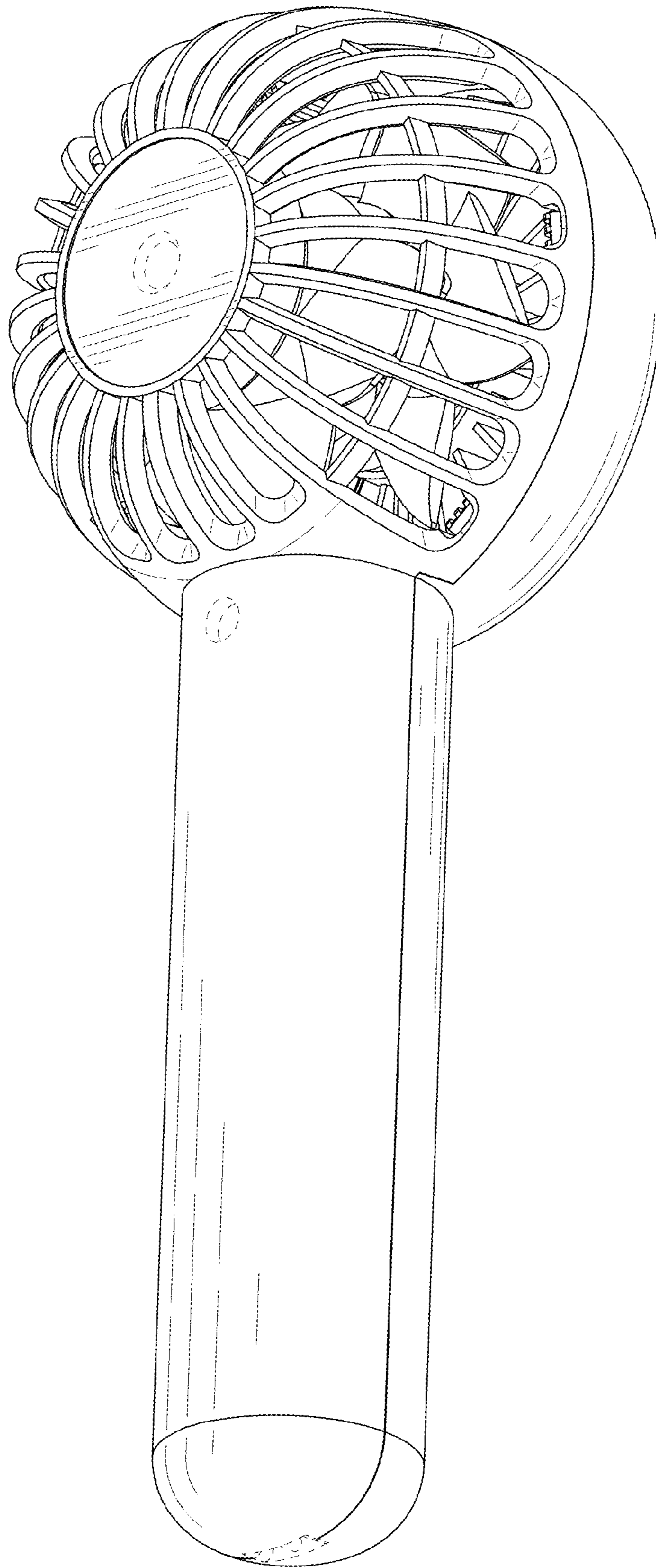


FIG. 2

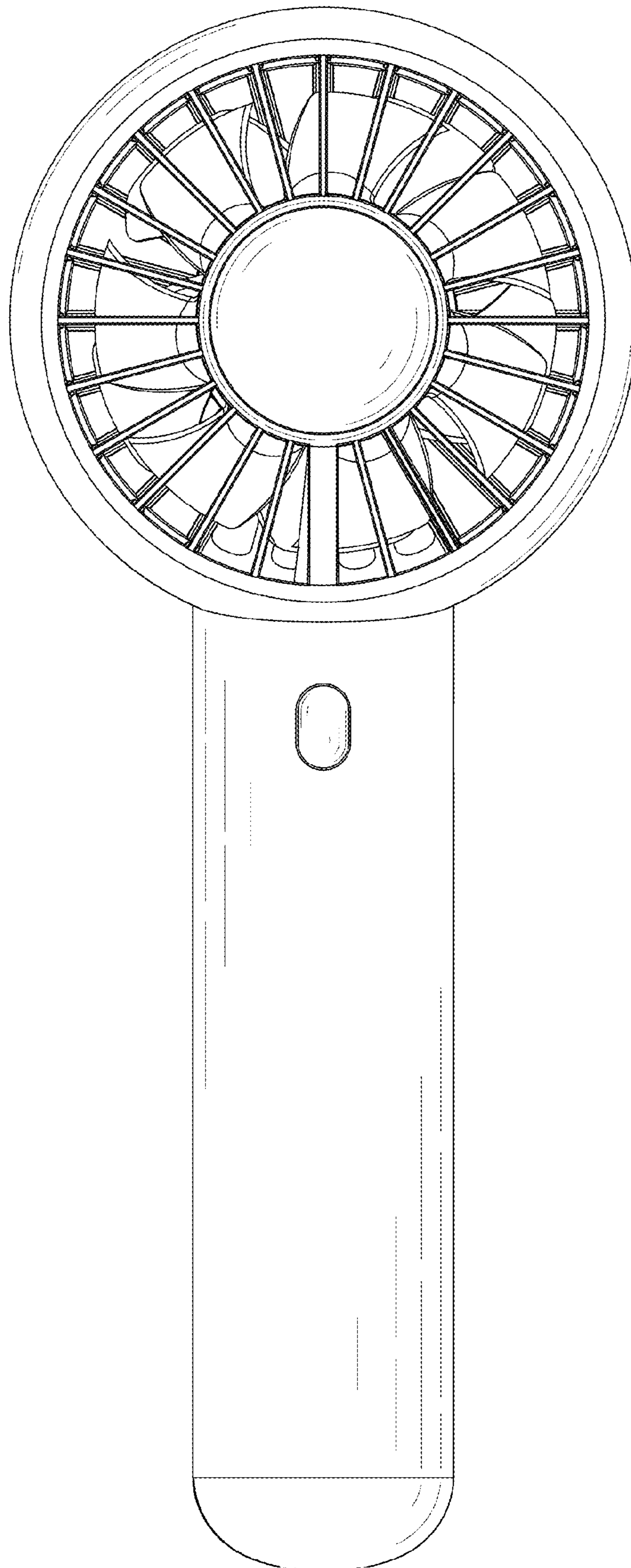


FIG. 3

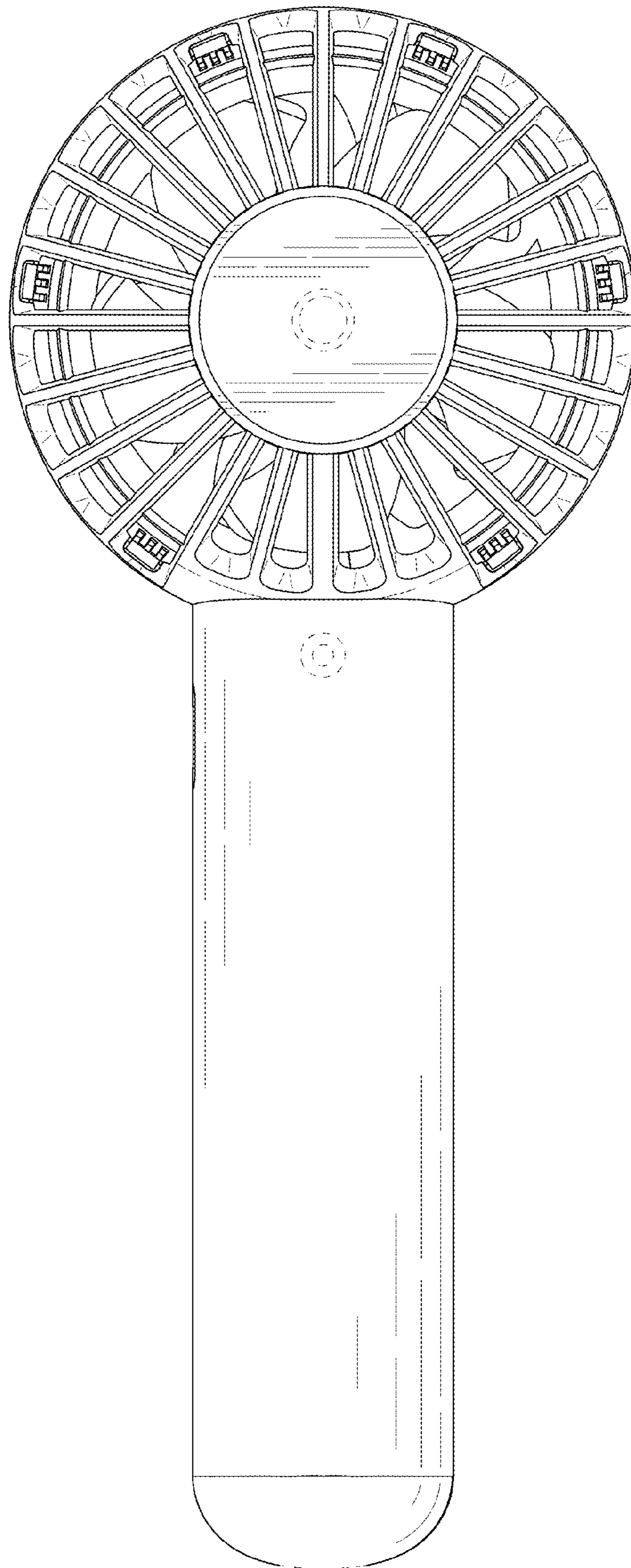


FIG. 4

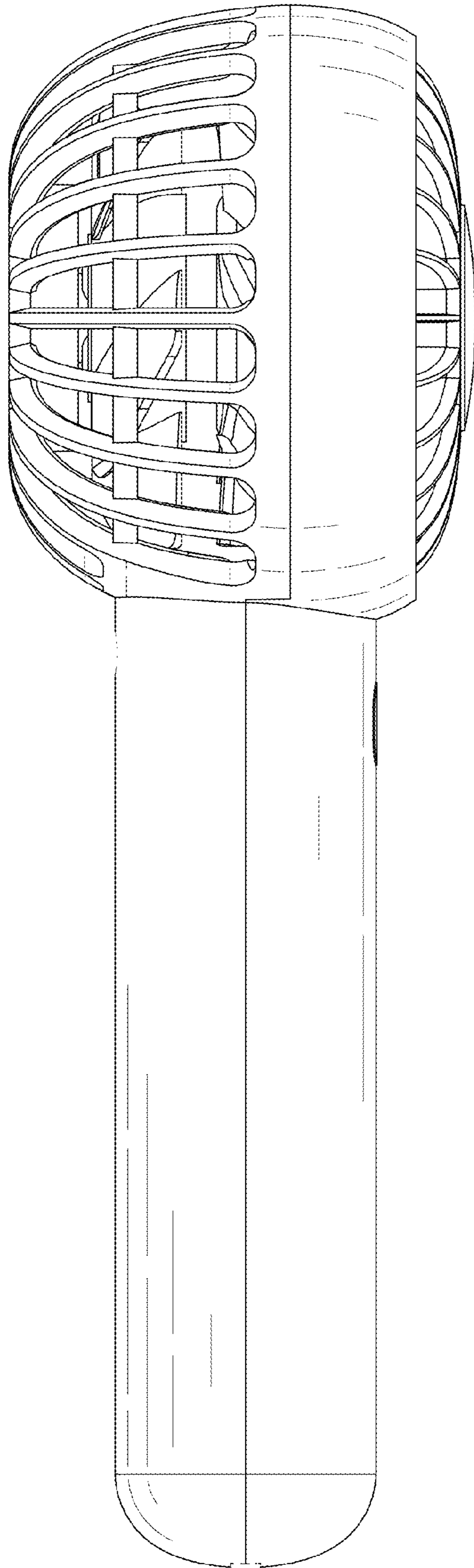


FIG. 5

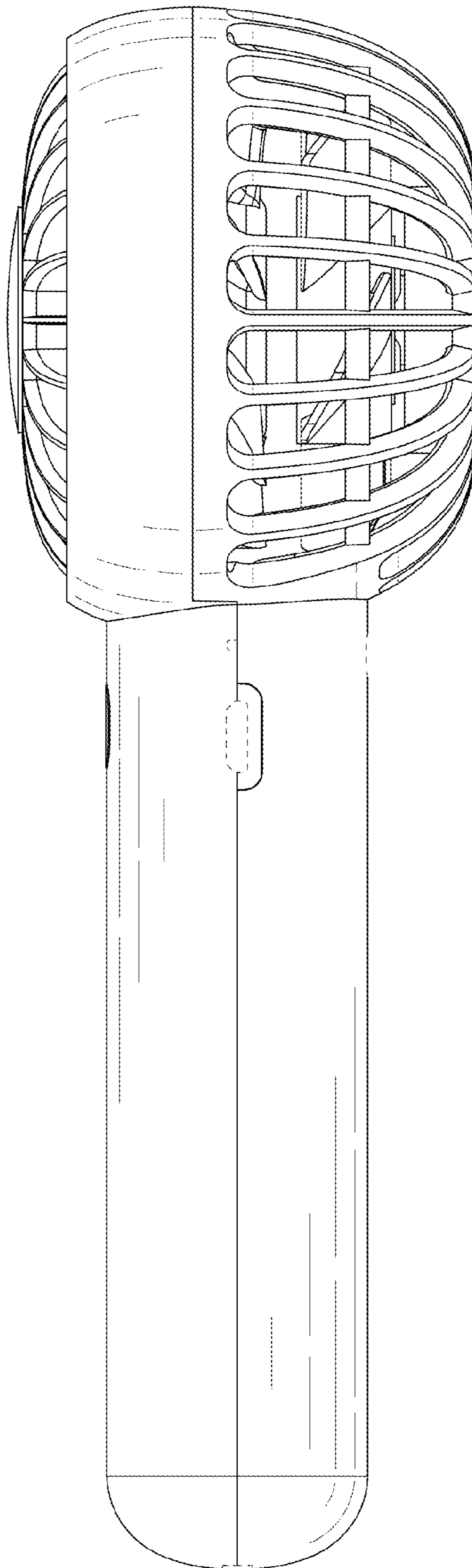


FIG. 6

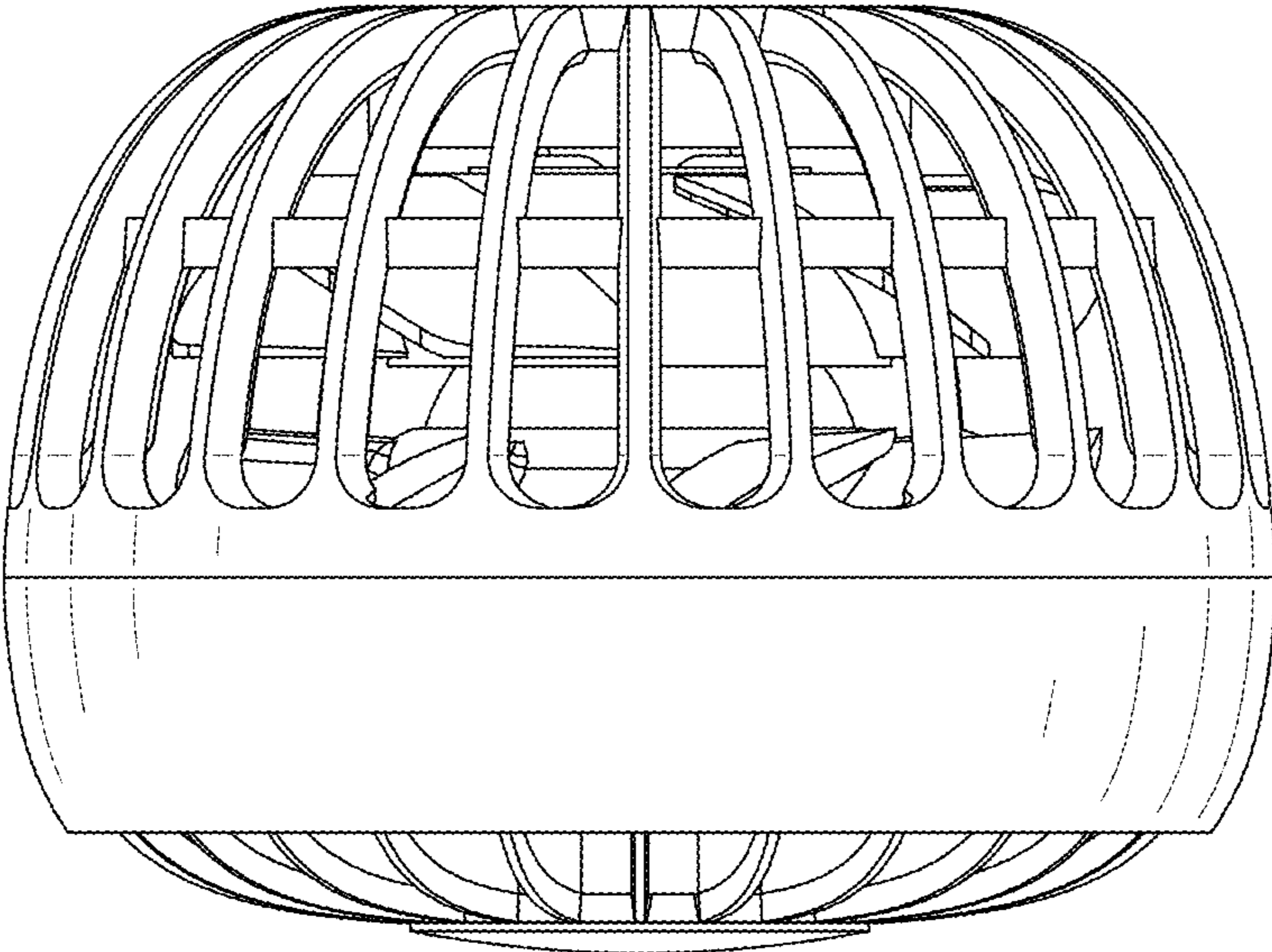


FIG. 7

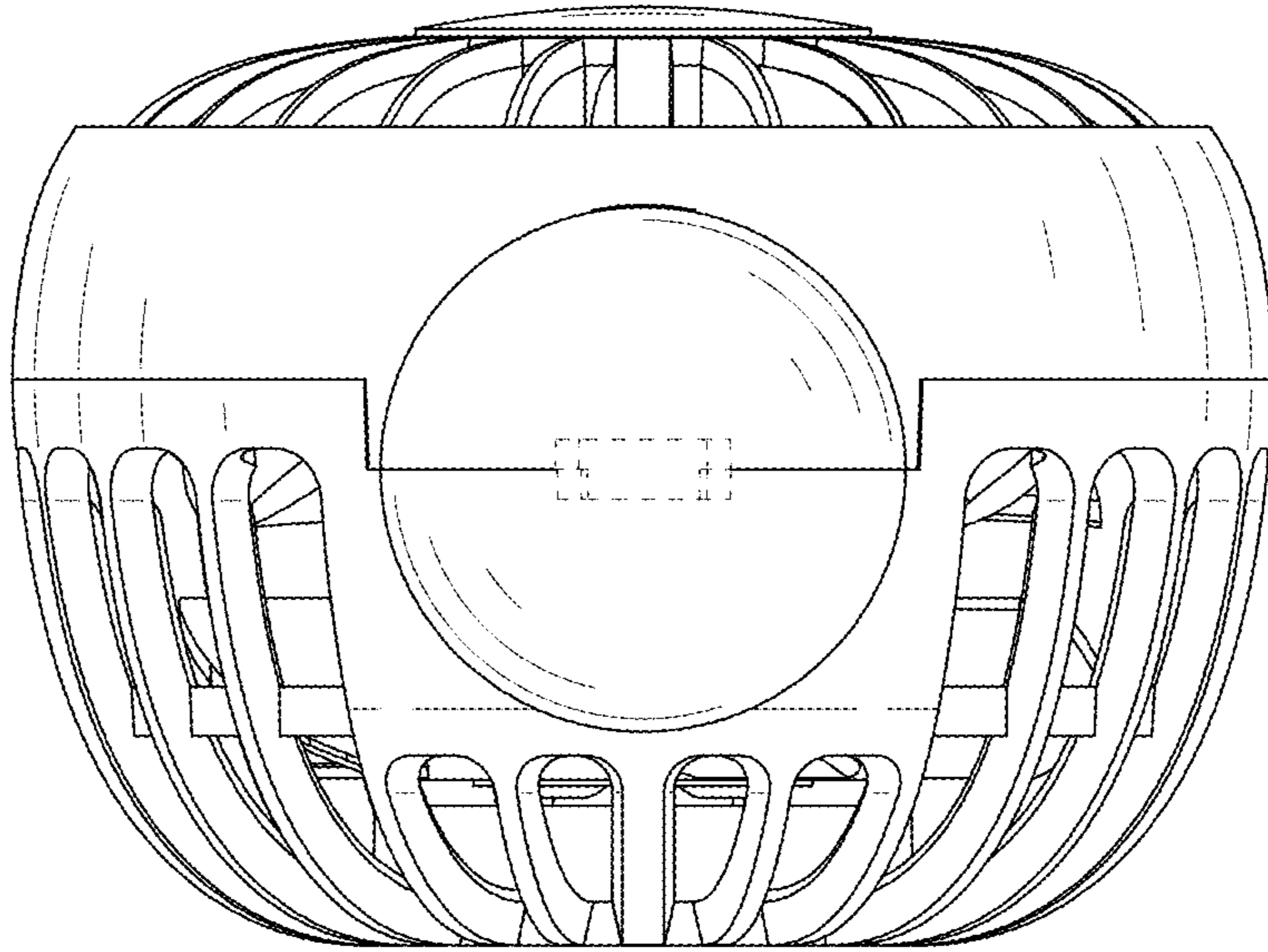


FIG. 8