

US00D964543S

(12) **United States Design Patent** (10) **Patent No.:** **US D964,543 S**
Mo (45) **Date of Patent:** **** Sep. 20, 2022**

(54) **FAN**
(71) Applicant: **Zhongshan Haituo Electrics Co., Ltd.**,
Zhongshan (CN)
(72) Inventor: **Zhixuan Mo**, Shaoguan (CN)
(**) Term: **15 Years**
(21) Appl. No.: **29/789,462**
(22) Filed: **Sep. 25, 2021**
(51) **LOC (13) Cl.** **23-04**
(52) **U.S. Cl.**
USPC **D23/382**
(58) **Field of Classification Search**
USPC D23/328, 332-337, 351-352, 370, 378,
D23/380-383
CPC F04D 25/0673; F04D 25/08; F04D 25/084;
F04D 25/086
See application file for complete search history.

D546,933 S 7/2007 Chen
D673,256 S * 12/2012 Shapiro D23/370
D681,186 S * 4/2013 Pan D23/370
D685,459 S * 7/2013 Pan D23/370
D691,256 S * 10/2013 Pan D23/370
D727,488 S 4/2015 Hsu
D737,950 S 9/2015 He et al.
D945,591 S * 3/2022 Mo D23/382

* cited by examiner

Primary Examiner — Sharon S Oum

(57) **CLAIM**

The ornamental design for a fan, as shown and described.

DESCRIPTION

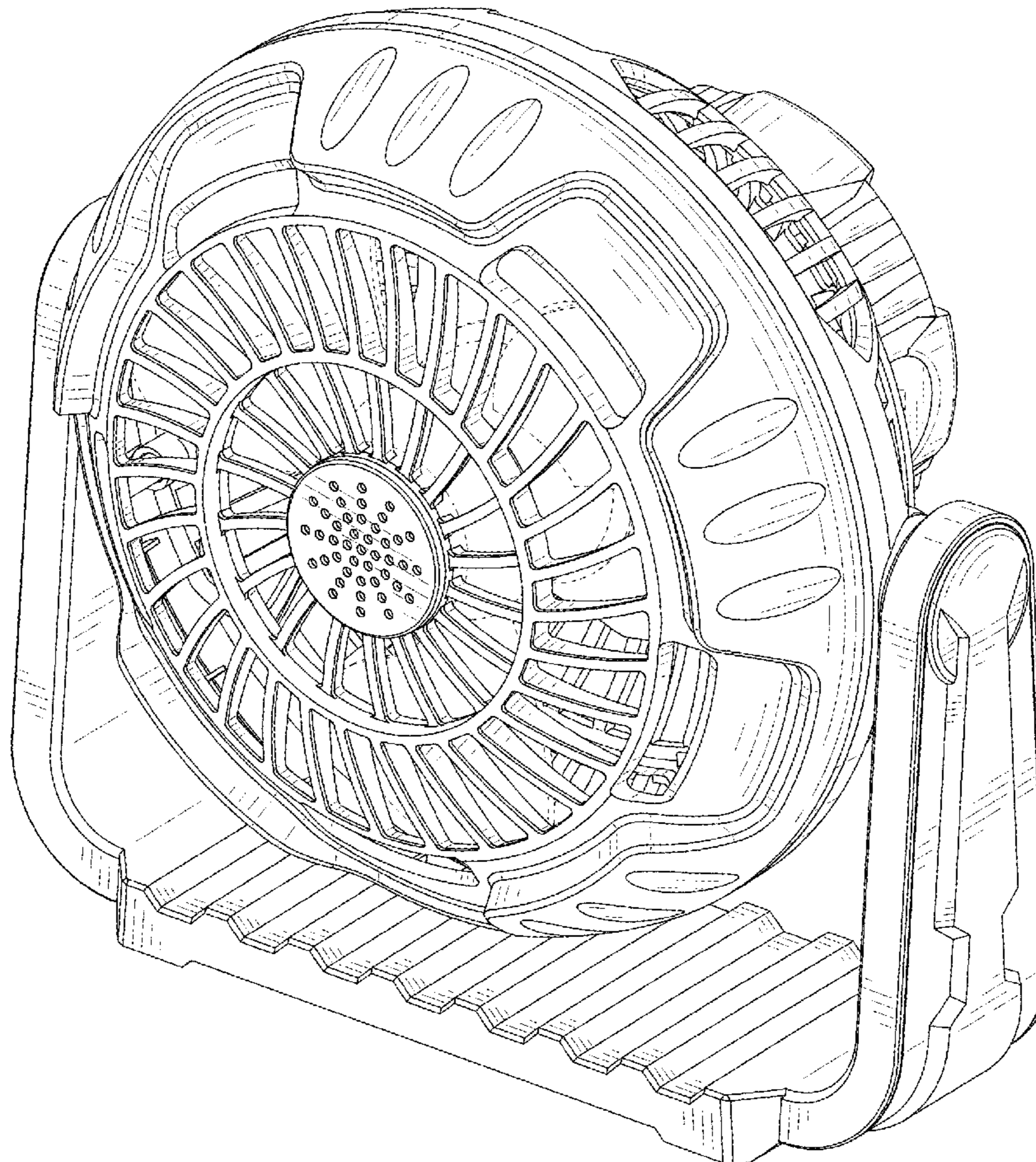
FIG. 1 is a first perspective view of a fan showing my new design;
FIG. 2 is a second perspective view thereof;
FIG. 3 is a front view thereof;
FIG. 4 is a back view thereof;
FIG. 5 is a left side view thereof;
FIG. 6 is a right side view thereof;
FIG. 7 is a top view thereof; and,
FIG. 8 is a bottom view thereof.
The broken lines shown in the drawings depict portions of the fan in which the design is embodied that form, no part of the claimed design.

(56) **References Cited**

U.S. PATENT DOCUMENTS

D421,114 S * 2/2000 Lozzio D23/370
D437,925 S * 2/2001 Gonzales D23/382
D538,421 S * 3/2007 Russak D23/382

1 Claim, 8 Drawing Sheets



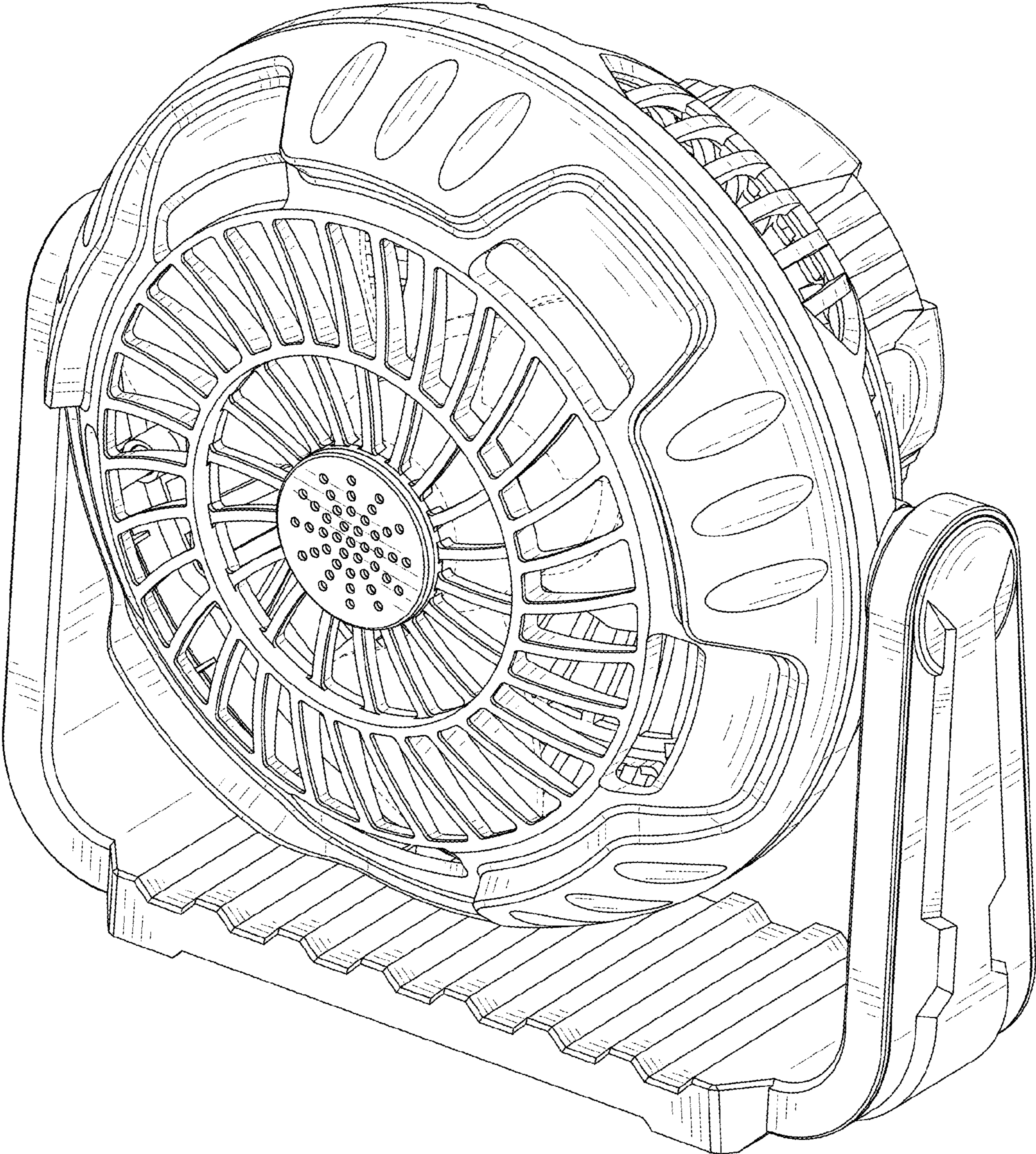


FIG. 1

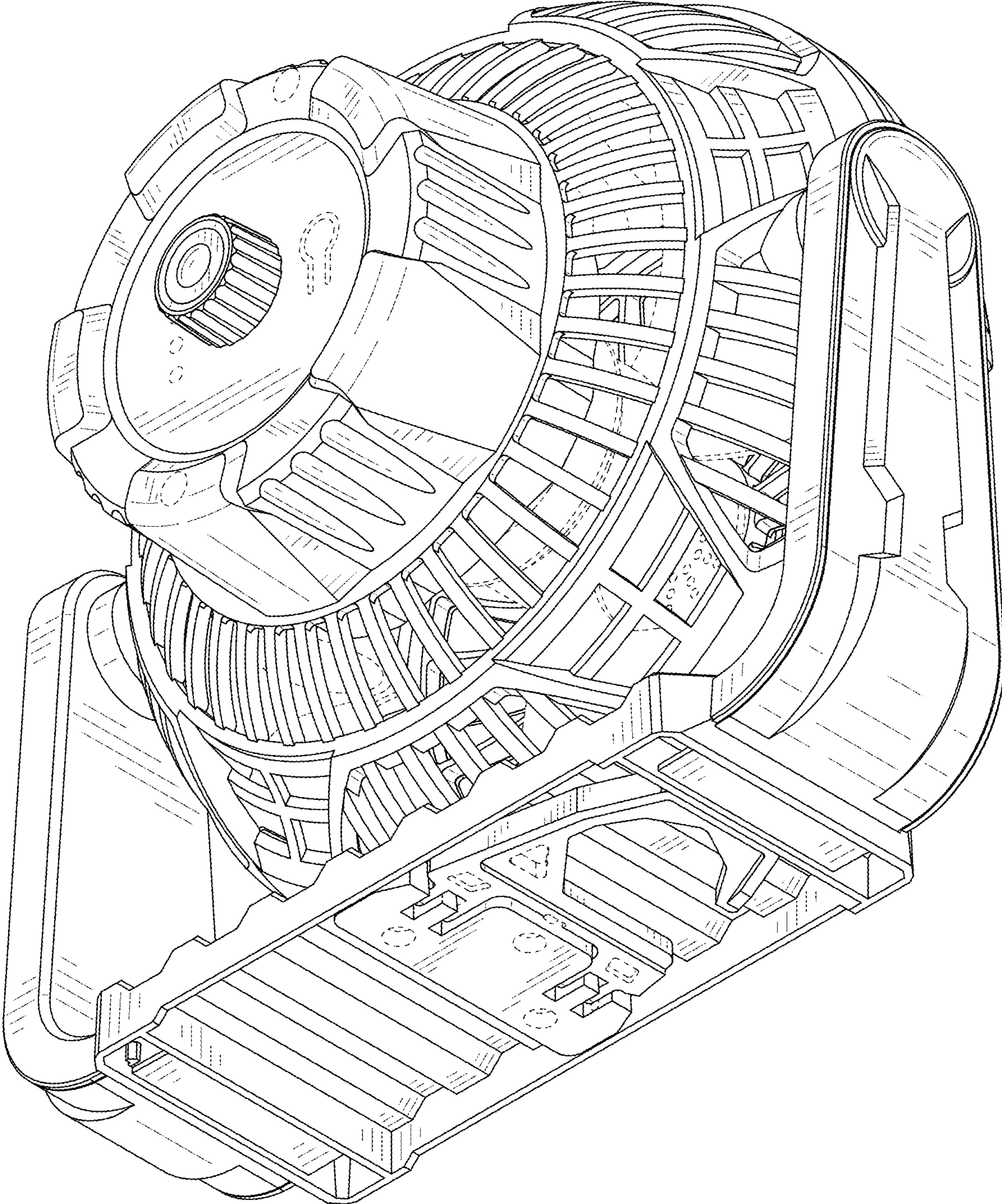


FIG. 2

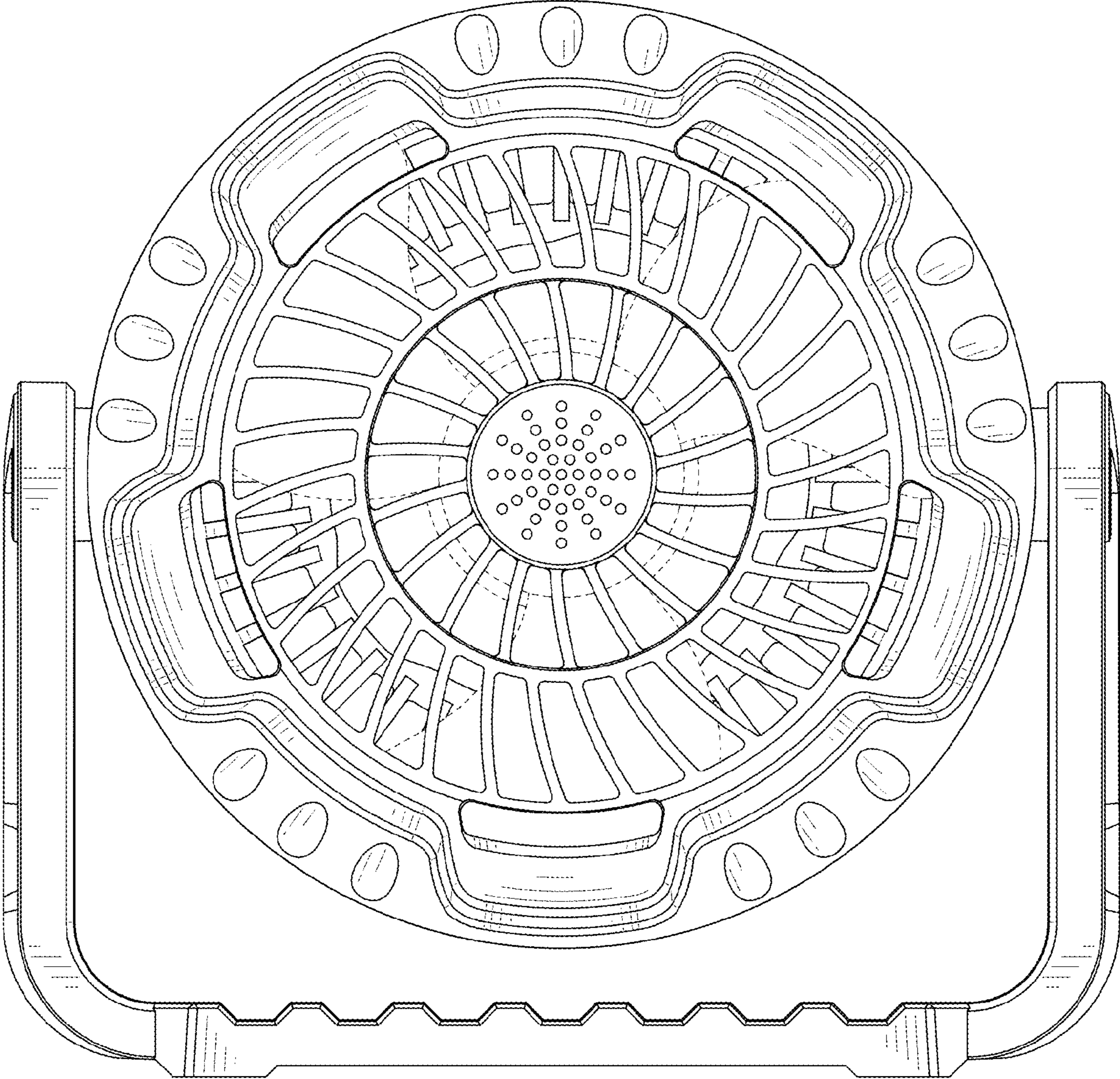


FIG. 3

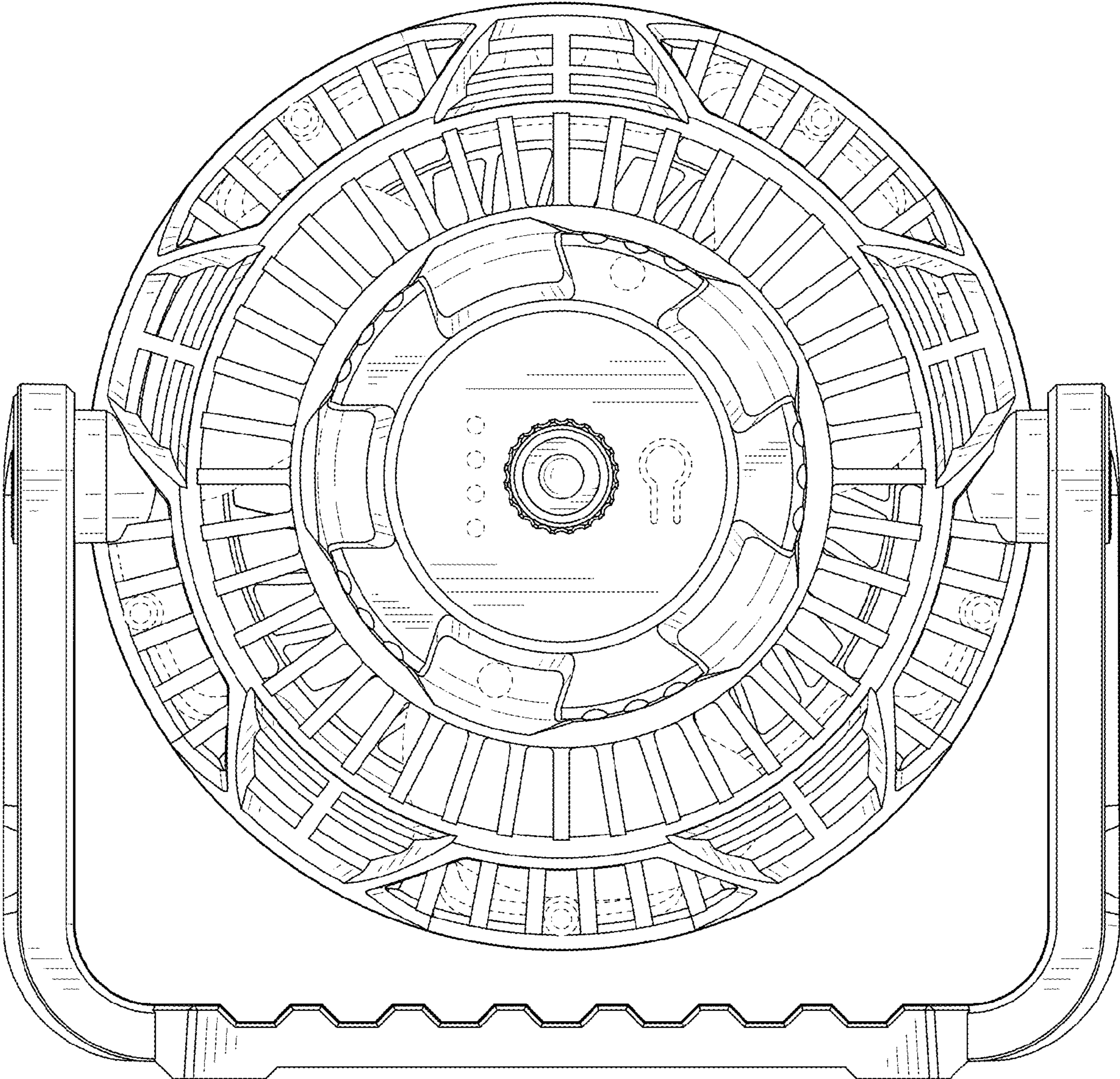


FIG. 4

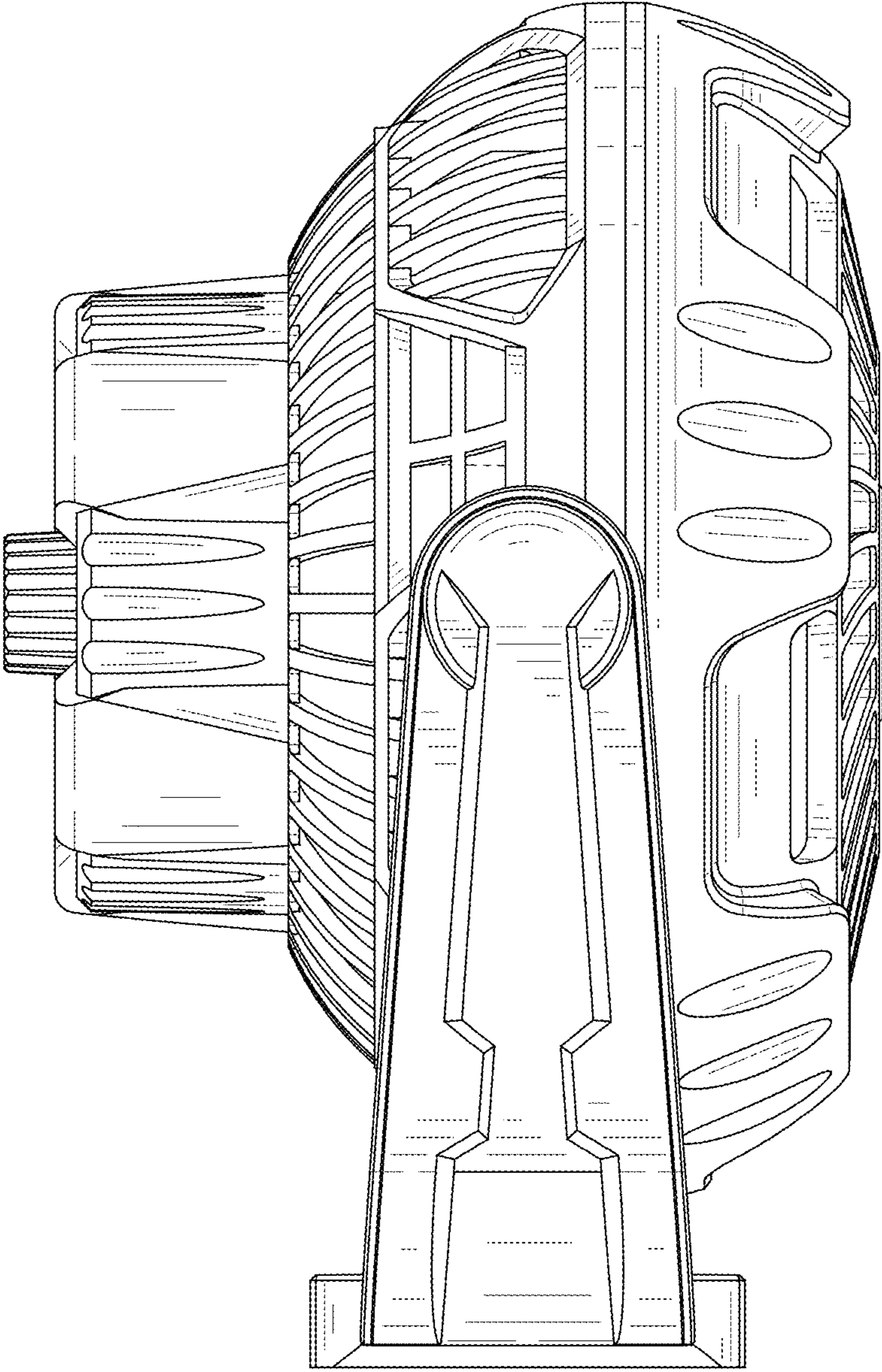


FIG. 5

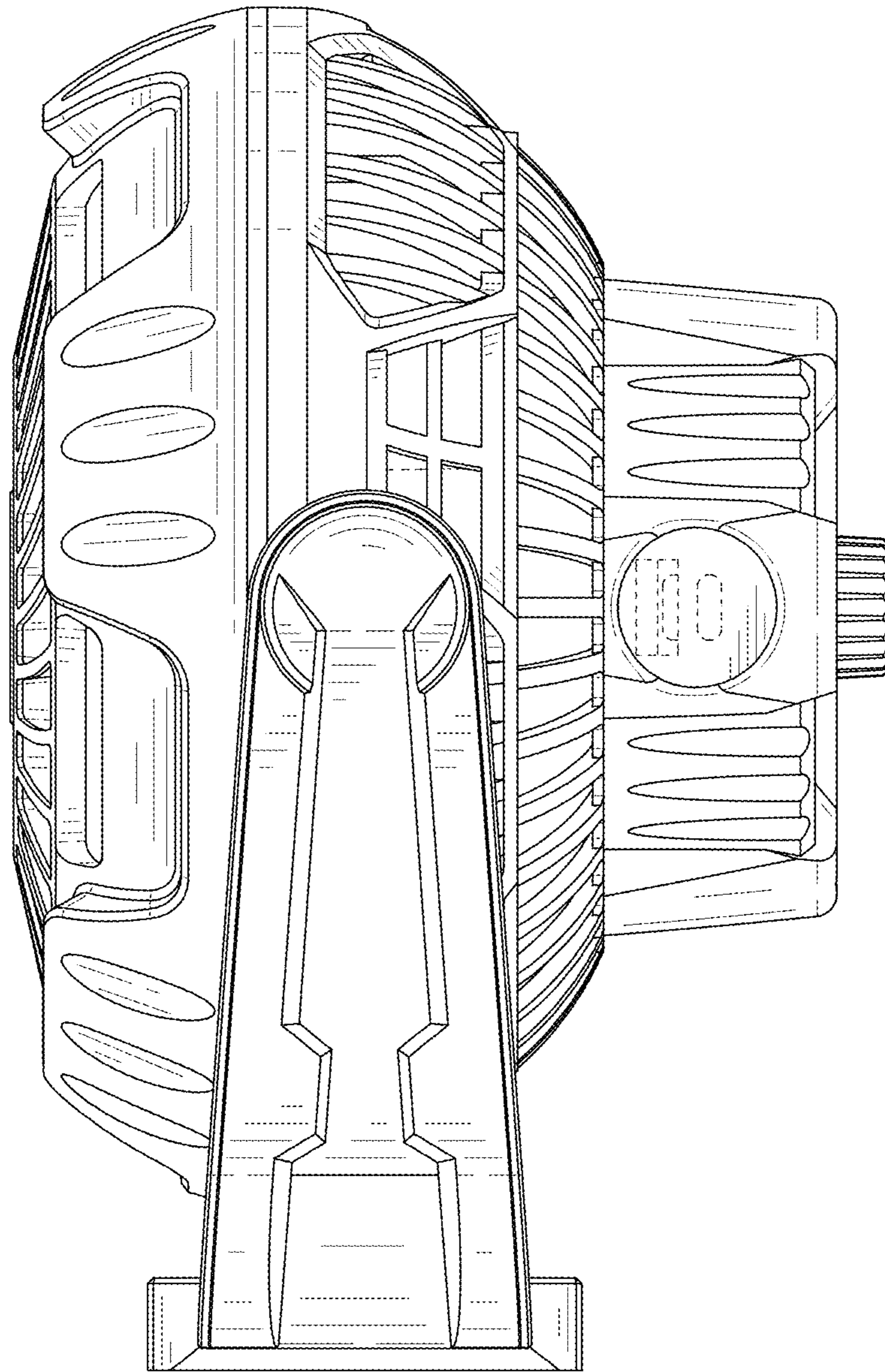


FIG. 6

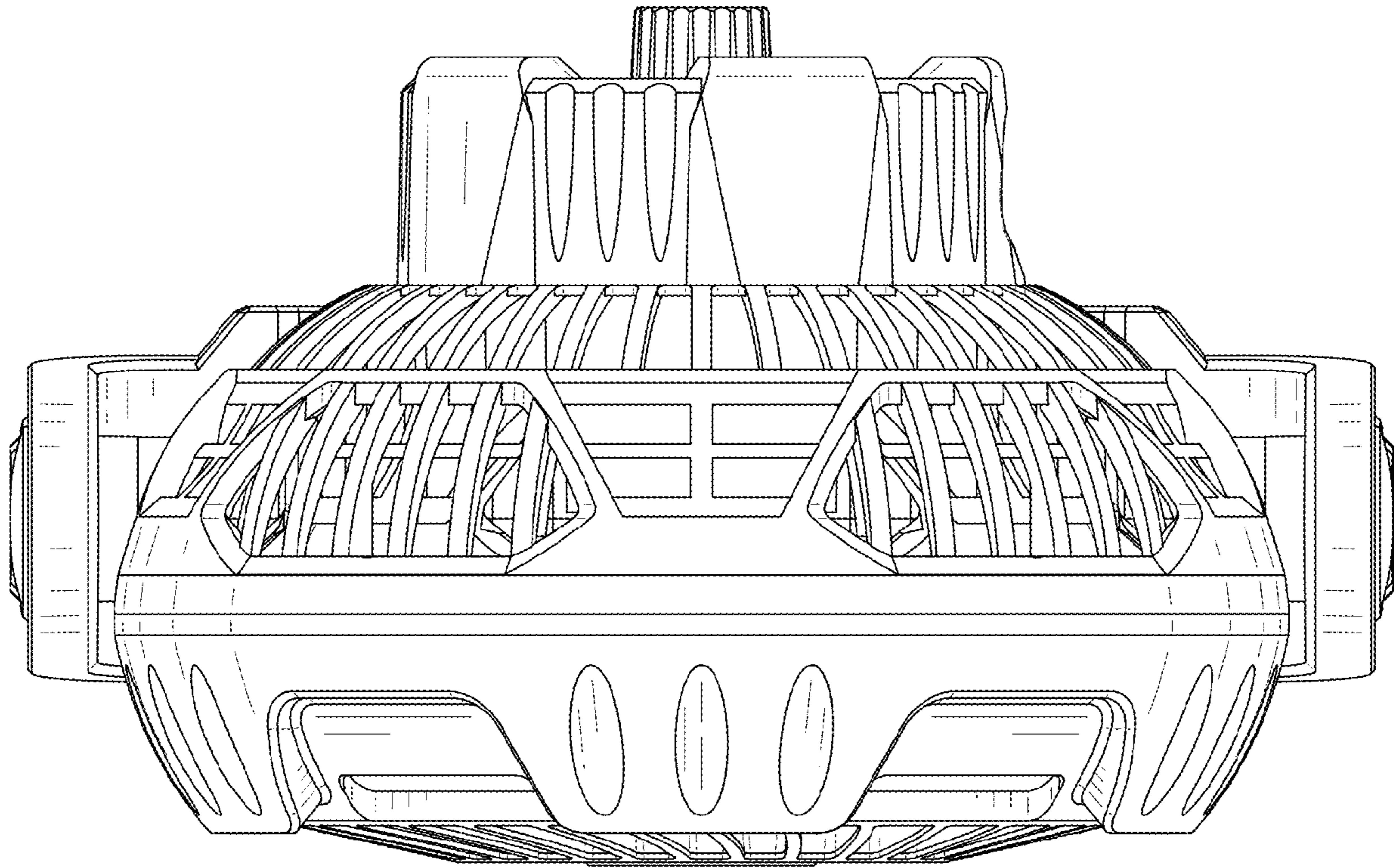


FIG. 7

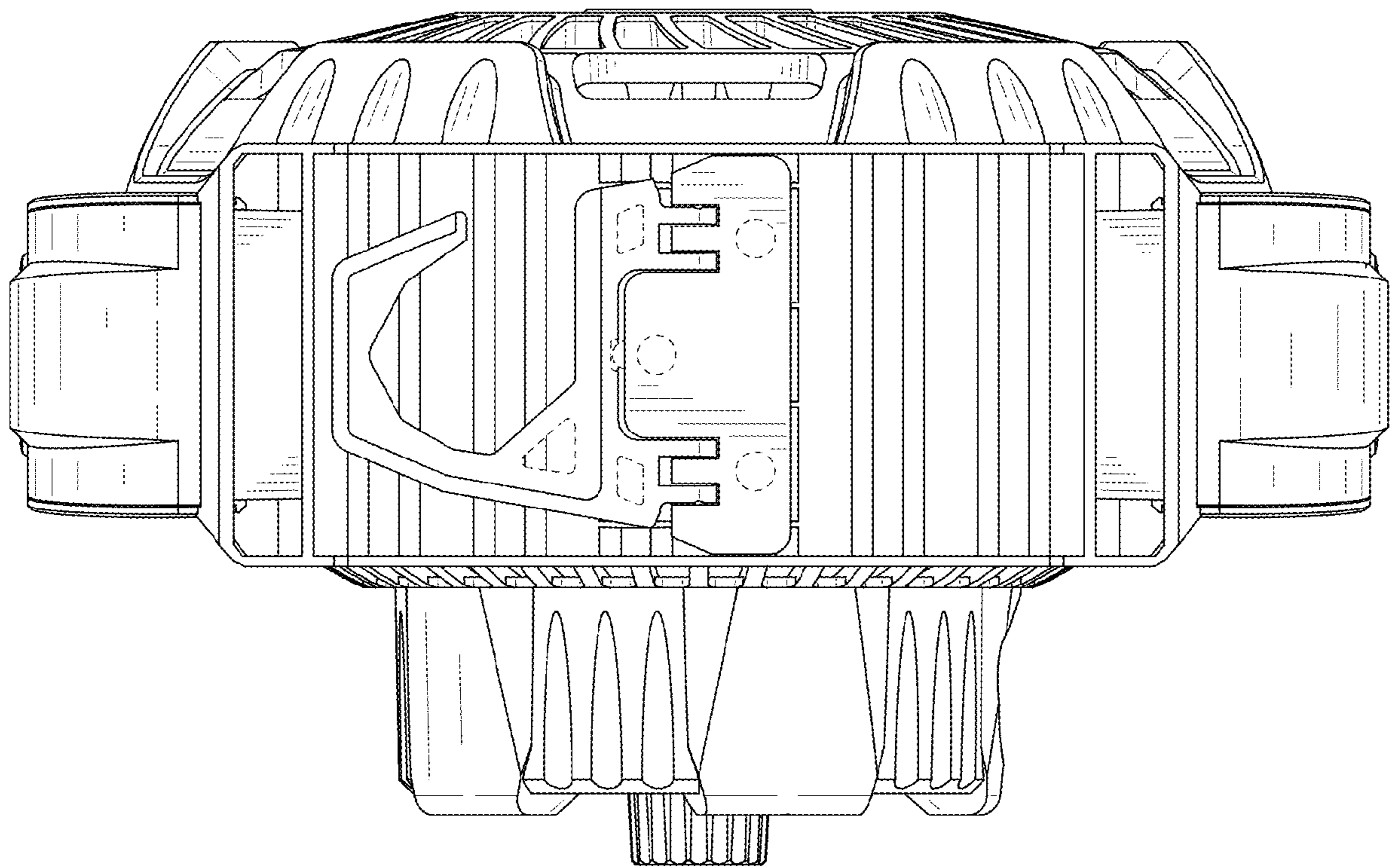


FIG. 8