

US00D964541S

(12) **United States Design Patent** (10) **Patent No.:** **US D964,541 S**
Hong (45) **Date of Patent:** **** Sep. 20, 2022**

- (54) **CEILING FAN**
- (71) Applicant: **GD Midea Environment Appliances MFG. Co., Ltd., Guangdong (CN)**
- (72) Inventor: **Sizhan Hong, Guangdong (CN)**
- (73) Assignee: **GD MIDEA ENVIRONMENT APPLIANCES MFG., CO., LTD., Zhongshan (CN)**
- (**) Term: **15 Years**
- (21) Appl. No.: **29/755,886**
- (22) Filed: **Oct. 23, 2020**
- (30) **Foreign Application Priority Data**
Apr. 23, 2020 (CN) 202030172211.X
- (51) **LOC (13) Cl.** **23-04**
- (52) **U.S. Cl.**
USPC **D23/377**
- (58) **Field of Classification Search**
USPC D23/370, 377, 379, 385, 411-414;
D26/59
CPC F04D 25/088; F04D 29/38; F04D 29/384;
F04D 29/386; F21V 33/0096
See application file for complete search history.

- D596,733 S * 7/2009 Kihara D23/377
- D599,900 S * 9/2009 Chen D23/377
- D716,436 S * 10/2014 Johnson D26/59
- D794,768 S * 8/2017 Wang D23/377
- D804,629 S * 12/2017 McRoberts D23/377
- 10,578,121 B2 * 3/2020 Tang F04D 25/088
- D885,551 S * 5/2020 McRoberts D23/377
- 2021/0388844 A1 * 12/2021 Rhoades F21V 33/0096

OTHER PUBLICATIONS

Ceiling fan (MCF-142), Registration No. 301687620, Application No. 201130052966, application date Mar. 23, 2011, date published Sep. 28, 2011, published in CN, site visited Mar. 26, 2022, available at www.orbit.com.*

* cited by examiner

Primary Examiner — Sharon S Oum
(74) *Attorney, Agent, or Firm* — Morgan, Lewis & Bockius LLP

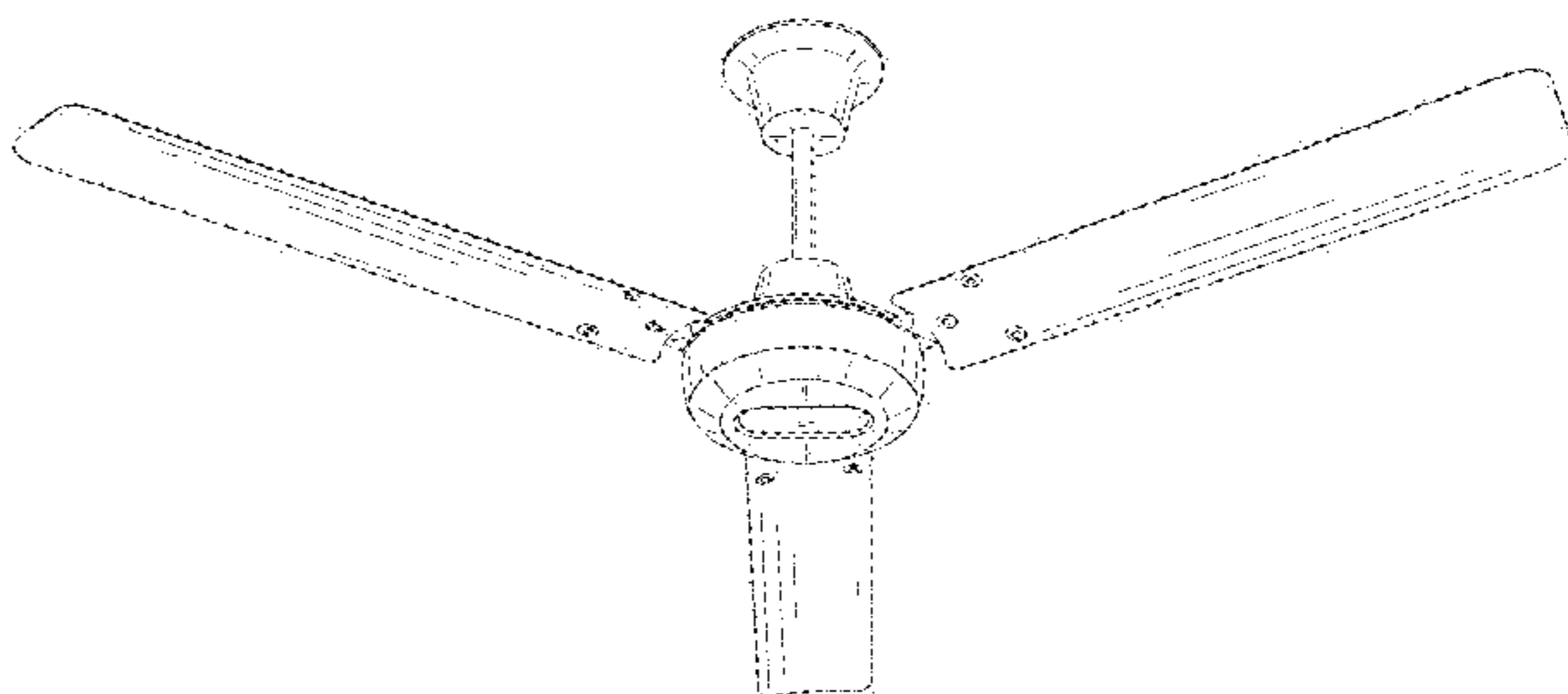
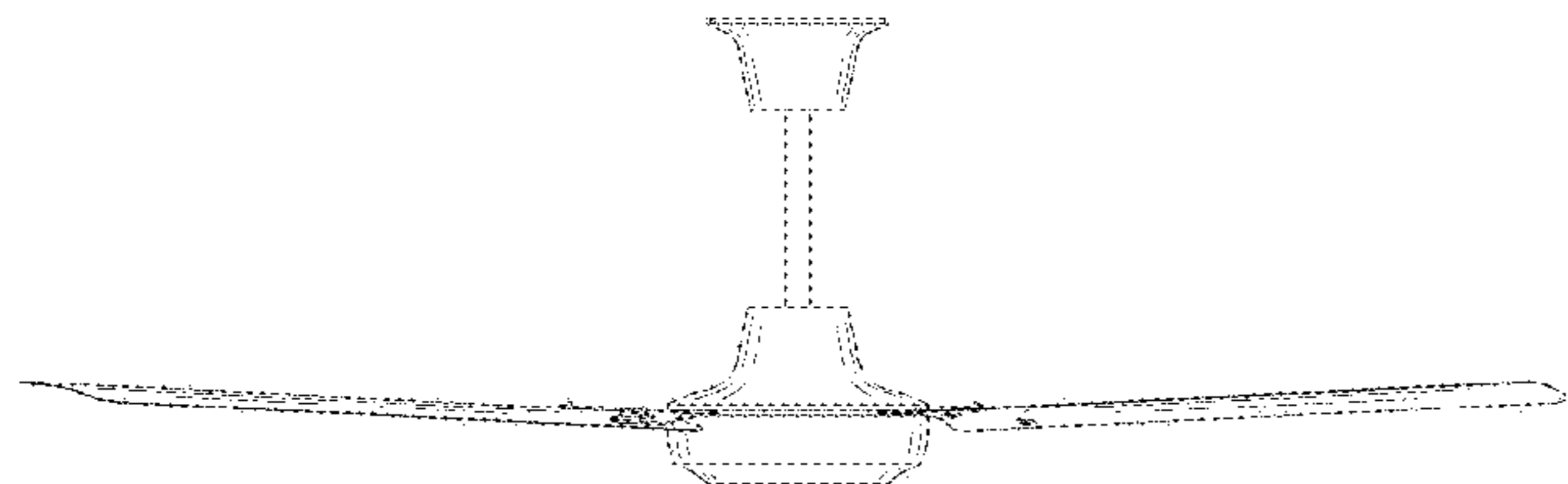
(57) **CLAIM**

The ornamental design for a ceiling fan, as shown and described.

DESCRIPTION

FIG. 1 is a front elevational view of a ceiling fan showing my new design;
FIG. 2 is a rear elevational view thereof;
FIG. 3 is a left-side elevational view thereof;
FIG. 4 is a right-side elevational view thereof;
FIG. 5 is a top plan view thereof;
FIG. 6 is a bottom plan view thereof; and,
FIG. 7 is a front perspective view thereof.
The broken lines depict portions of the ceiling fan that form no part of the claimed design.

1 Claim, 7 Drawing Sheets



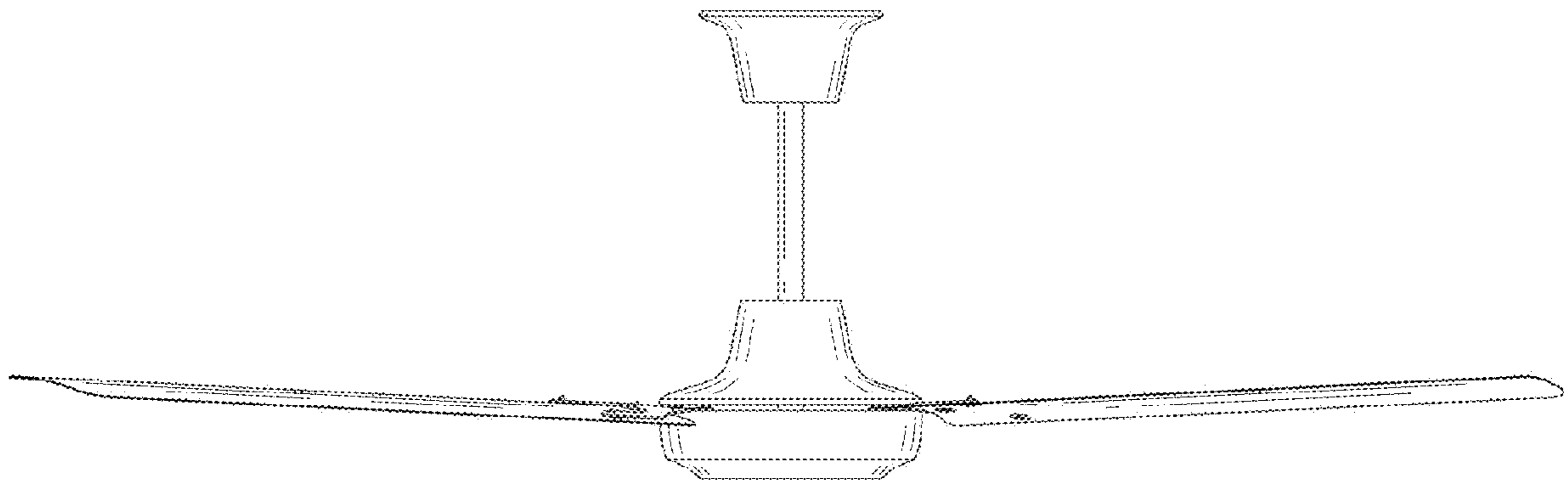


FIG. 1

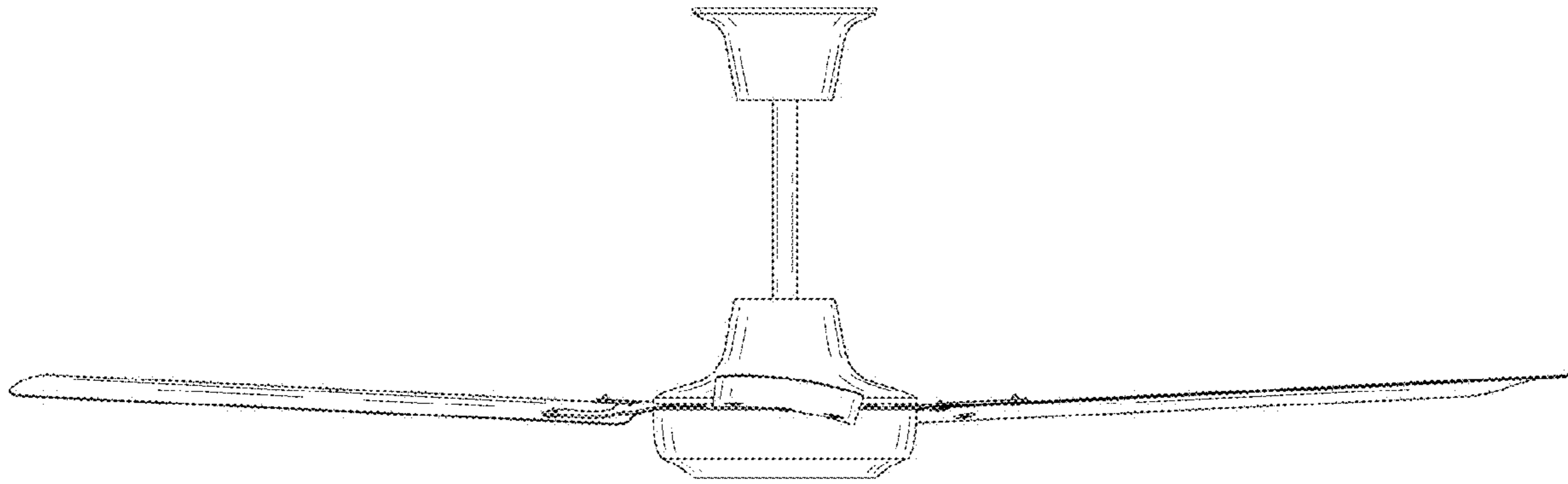


FIG. 2

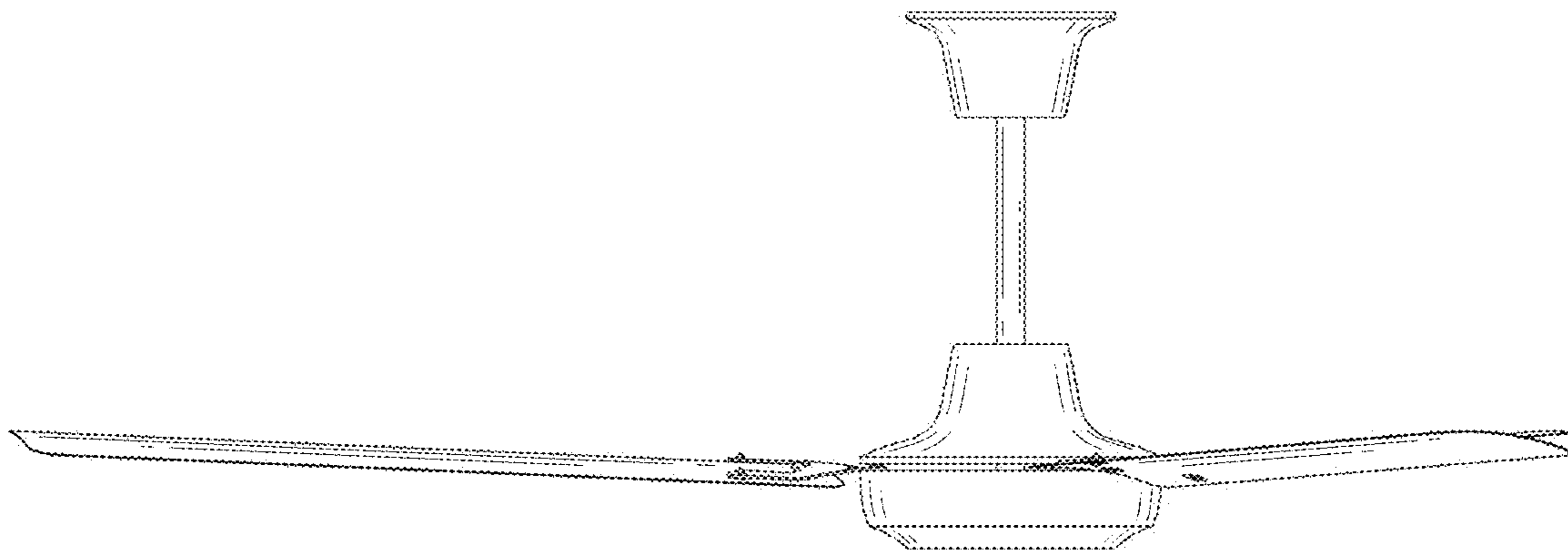


FIG. 3

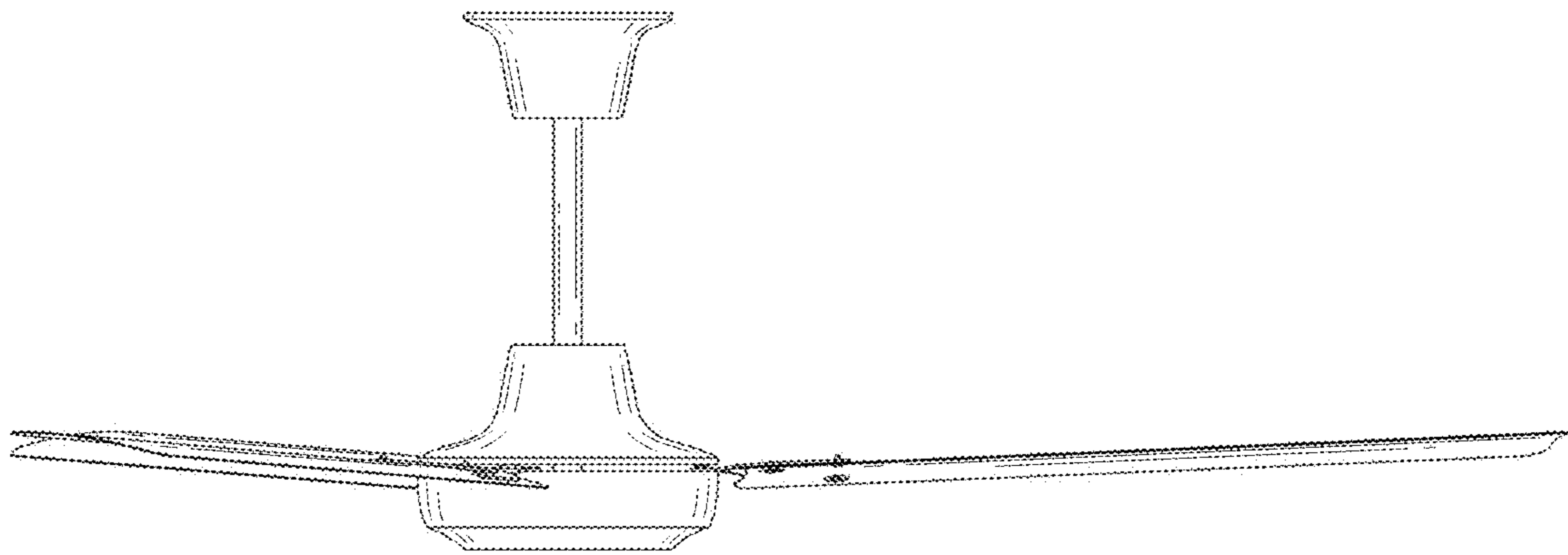


FIG. 4

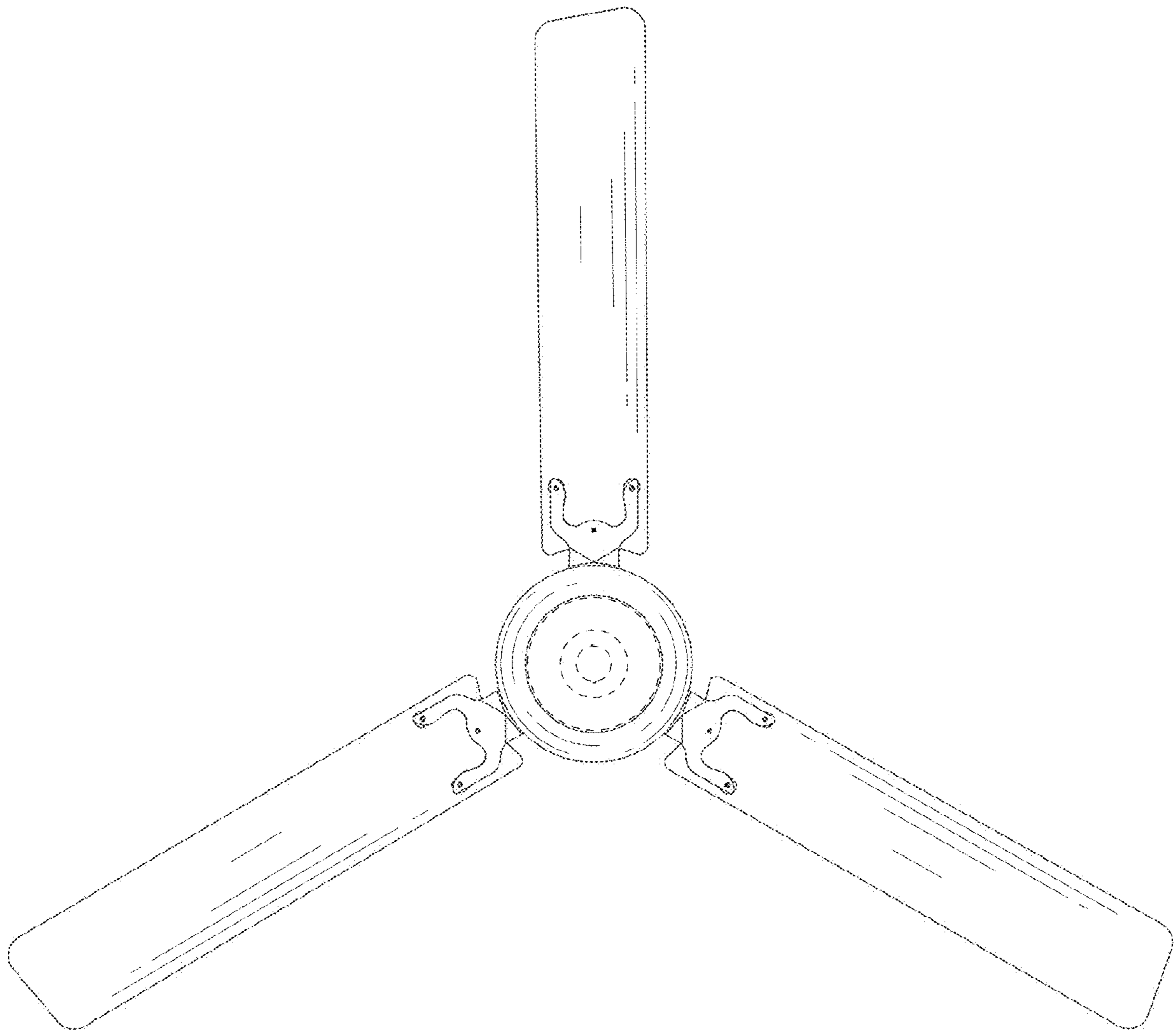


FIG. 5

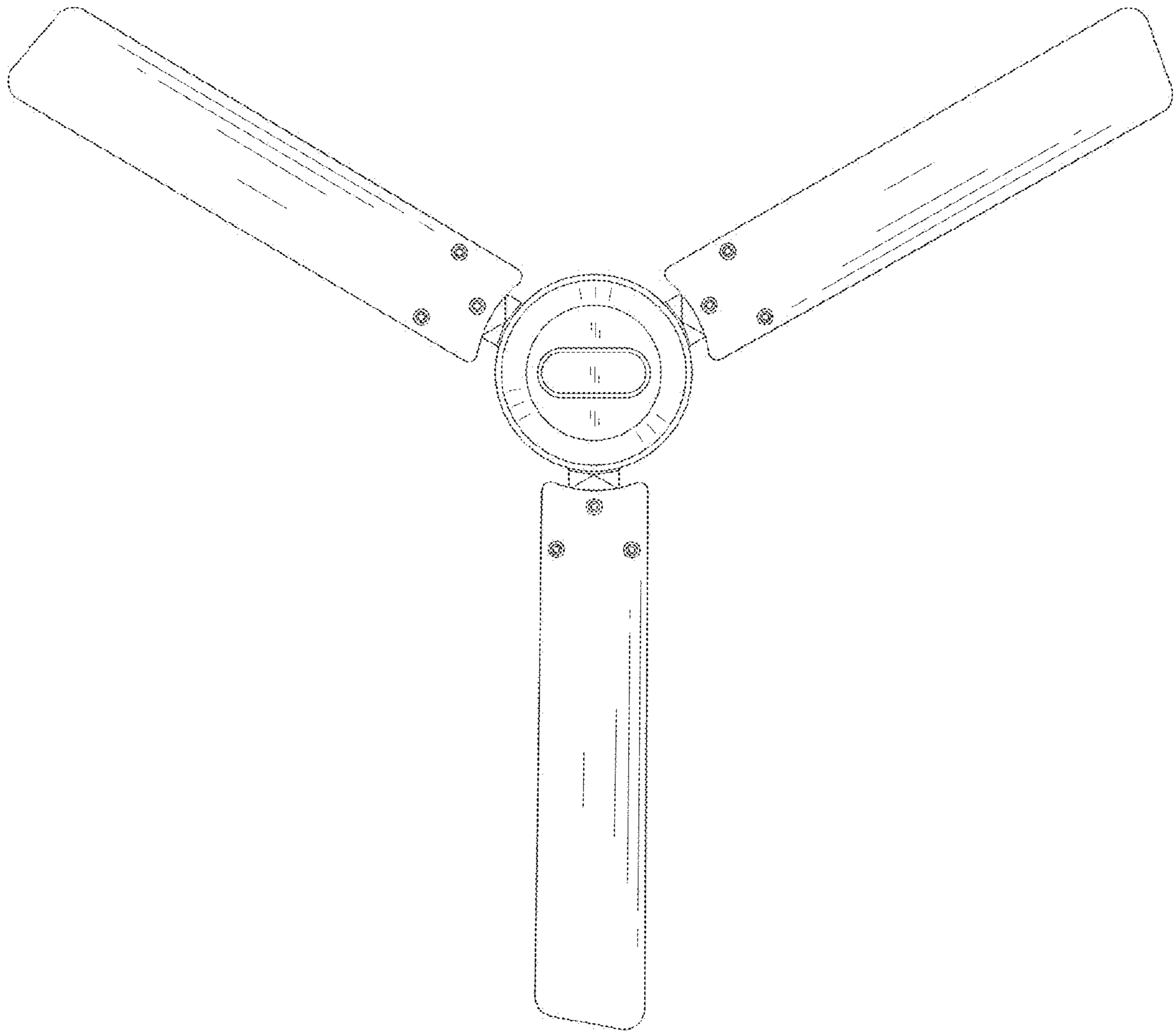


FIG. 6

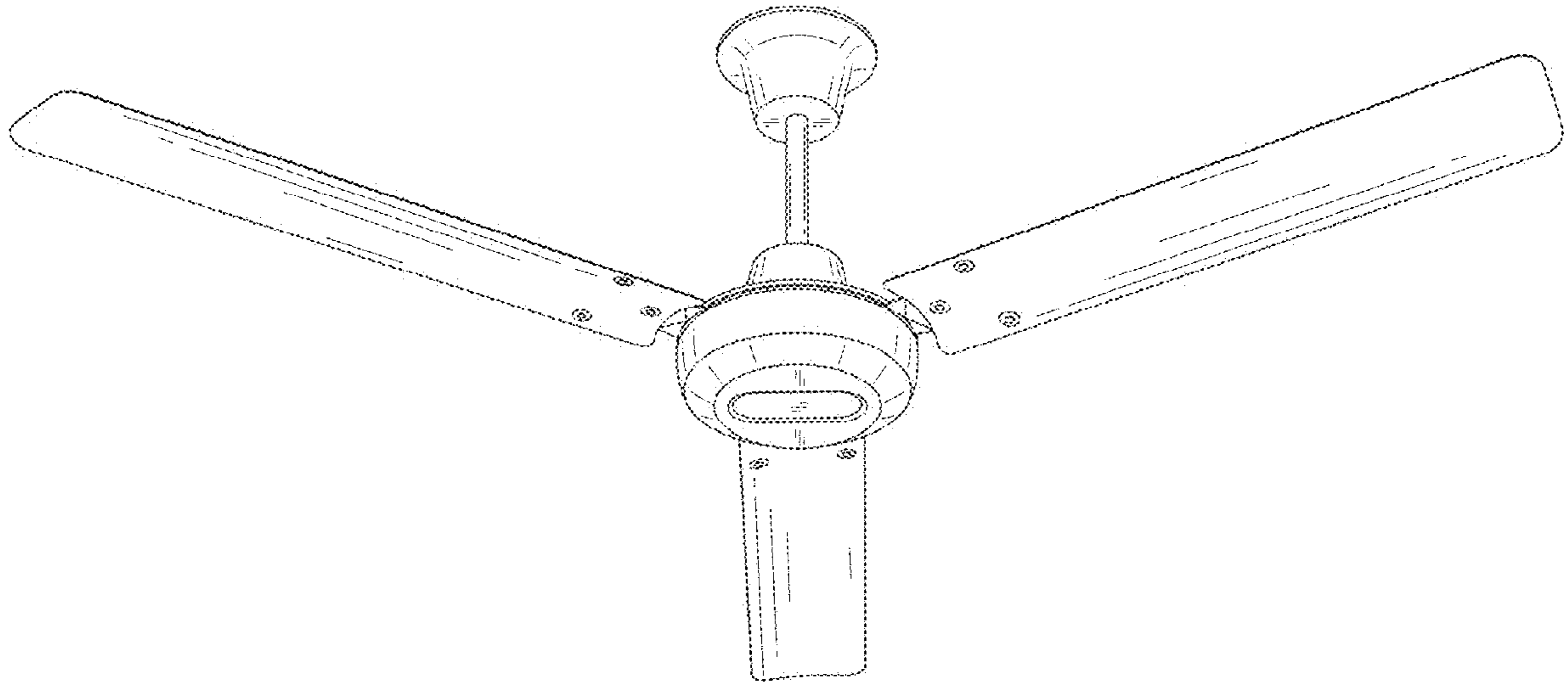


FIG. 7