



US00D964539S

(12) **United States Design Patent**
Servaire

(10) **Patent No.:** **US D964,539 S**

(45) **Date of Patent:** **** Sep. 20, 2022**

(54) **ELECTRIC DIFFUSER**

(71) Applicant: **DIPTYQUE S.A.S.**, Paris (FR)

(72) Inventor: **Sébastien Servaire**, Paris (FR)

(73) Assignee: **Diptyque S.A.S.**, Paris (FR)

(**) Term: **15 Years**

(21) Appl. No.: **29/780,391**

(22) Filed: **Apr. 23, 2021**

D889,622 S *	7/2020	Gobber	D23/366
D903,073 S *	11/2020	Li	D23/333
D913,883 S *	3/2021	Beckman	D12/192
D926,302 S *	7/2021	Lee	D23/364
2014/0124597 A1 *	5/2014	Gordon	A61L 9/12 239/289

OTHER PUBLICATIONS

Diptyche Diffuser [Dec. 21, 2021] found online [Dec. 21, 2021]—
https://www.diptyqueparis.com/en_us/p/electric-wall-diffuser.html?_store=en_us&gclid=EAlalQobChMlzuSyr319AIVGOXICH04UgN8EakYASABEgledPD_BwE.*

* cited by examiner

Primary Examiner — John A Voytek

(74) *Attorney, Agent, or Firm* — Womble Bond Dickinson (US) LLP

(57) **CLAIM**

The ornamental design for an electric diffuser, as shown and described.

DESCRIPTION

FIG. 1 is a front, top perspective view of an electric diffuser; FIG. 2 is a rear, bottom perspective thereof; FIG. 3 is a front view thereof; FIG. 4 is a rear view thereof; FIG. 5 is a side view thereof; FIG. 6 is an opposite side view thereof; FIG. 7 is a top plan view thereof; and, FIG. 8 is a bottom view thereof.

The broken lines shown in the figures are for the purpose of illustrating unclaimed portions of the invention and boundaries only, and form no part of the claimed design.

1 Claim, 4 Drawing Sheets

Related U.S. Application Data

(63) Continuation of application No. 29/701,256, filed on Aug. 9, 2019, now abandoned.

(51) **LOC (13) Cl.** **23-04**

(52) **U.S. Cl.**
USPC **D23/366**

(58) **Field of Classification Search**
USPC D23/209, 355, 356, 358, 359, 360, 364,
D23/365, 366, 367

CPC . A61L 9/03; A61L 9/012; A61L 9/015; A61L 9/037

See application file for complete search history.

(56) **References Cited**

U.S. PATENT DOCUMENTS

D516,691 S *	3/2006	Caserta	D23/366
D520,128 S *	5/2006	Caserta	D23/366
D675,307 S *	1/2013	Freeborn	D23/366
D752,729 S *	3/2016	Servaire	D23/366
D764,042 S *	8/2016	Servaire	D23/366
D816,823 S *	5/2018	Gobber	D23/366
D820,964 S *	6/2018	Servaire	D23/366
10,506,667 B2 *	12/2019	Storey	A61L 9/03

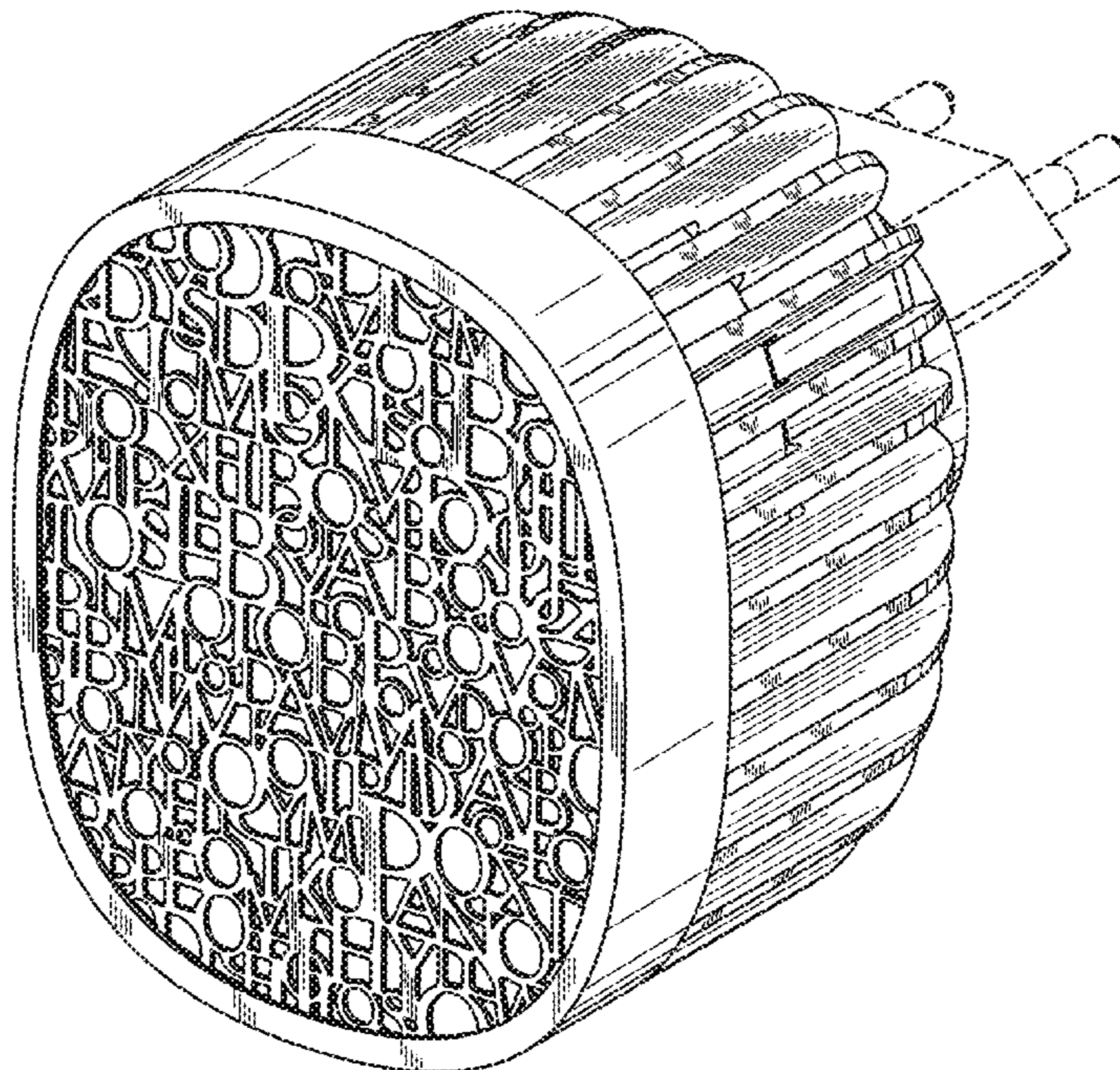


FIG. 2

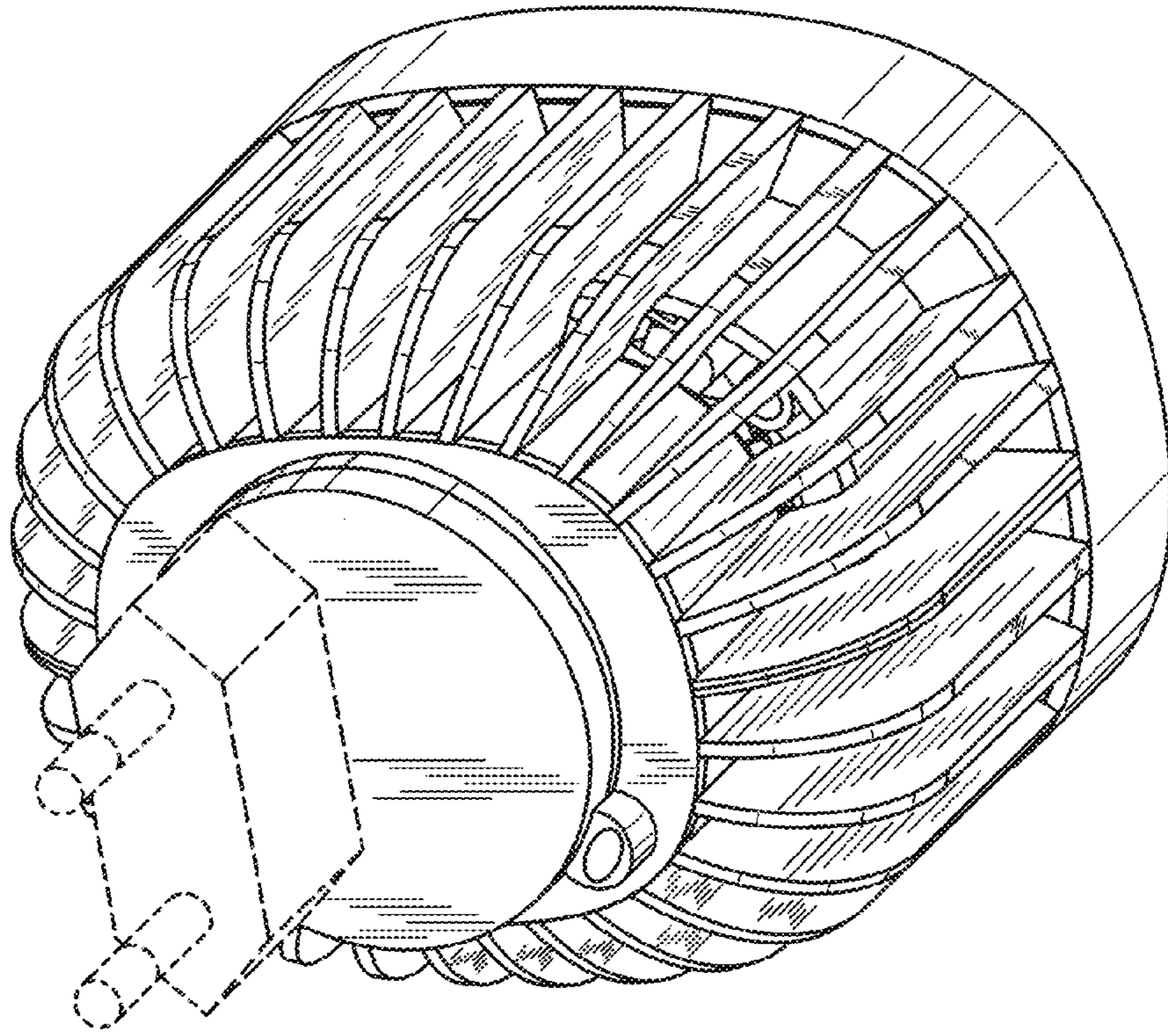


FIG. 1

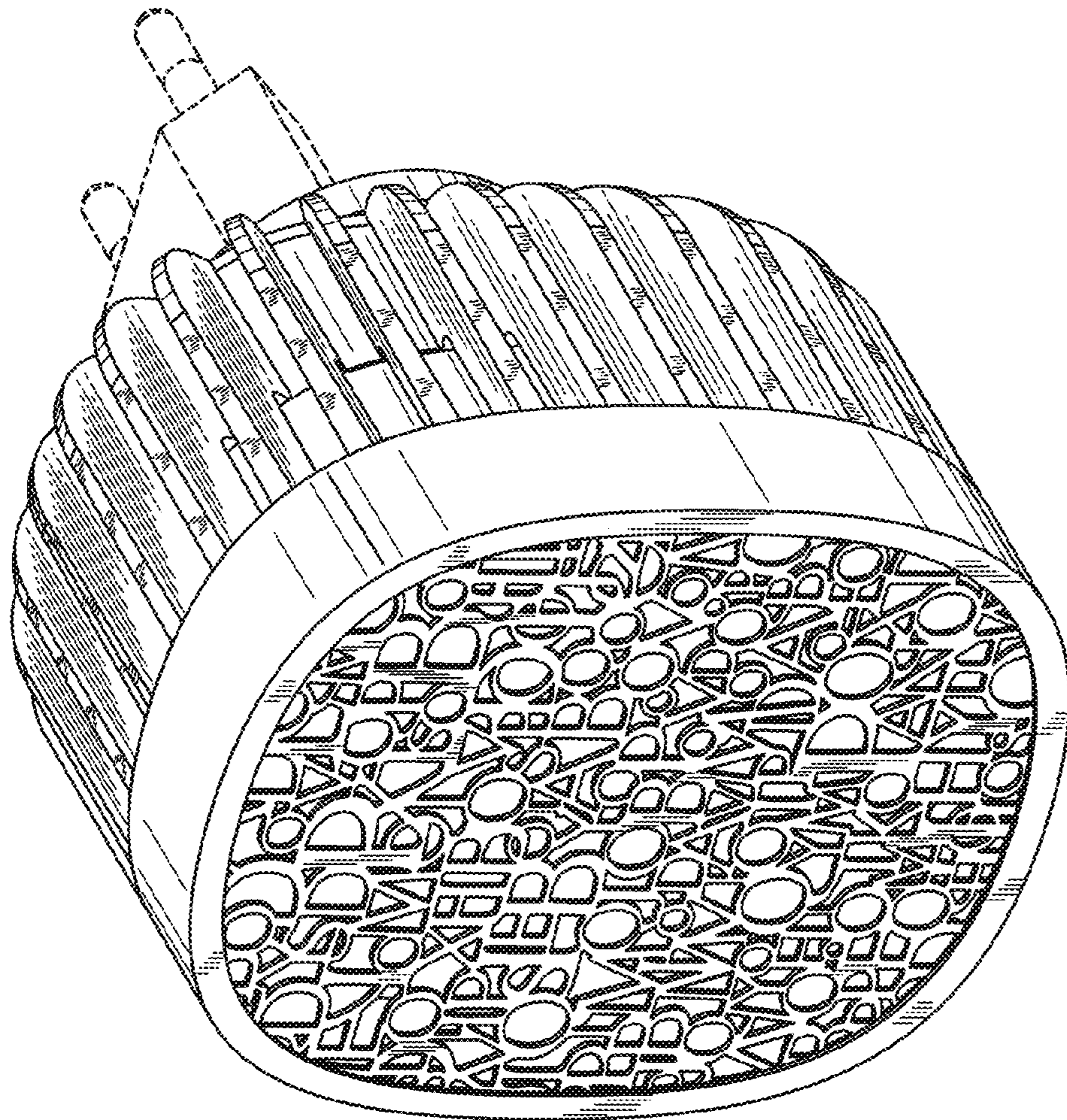


FIG. 3

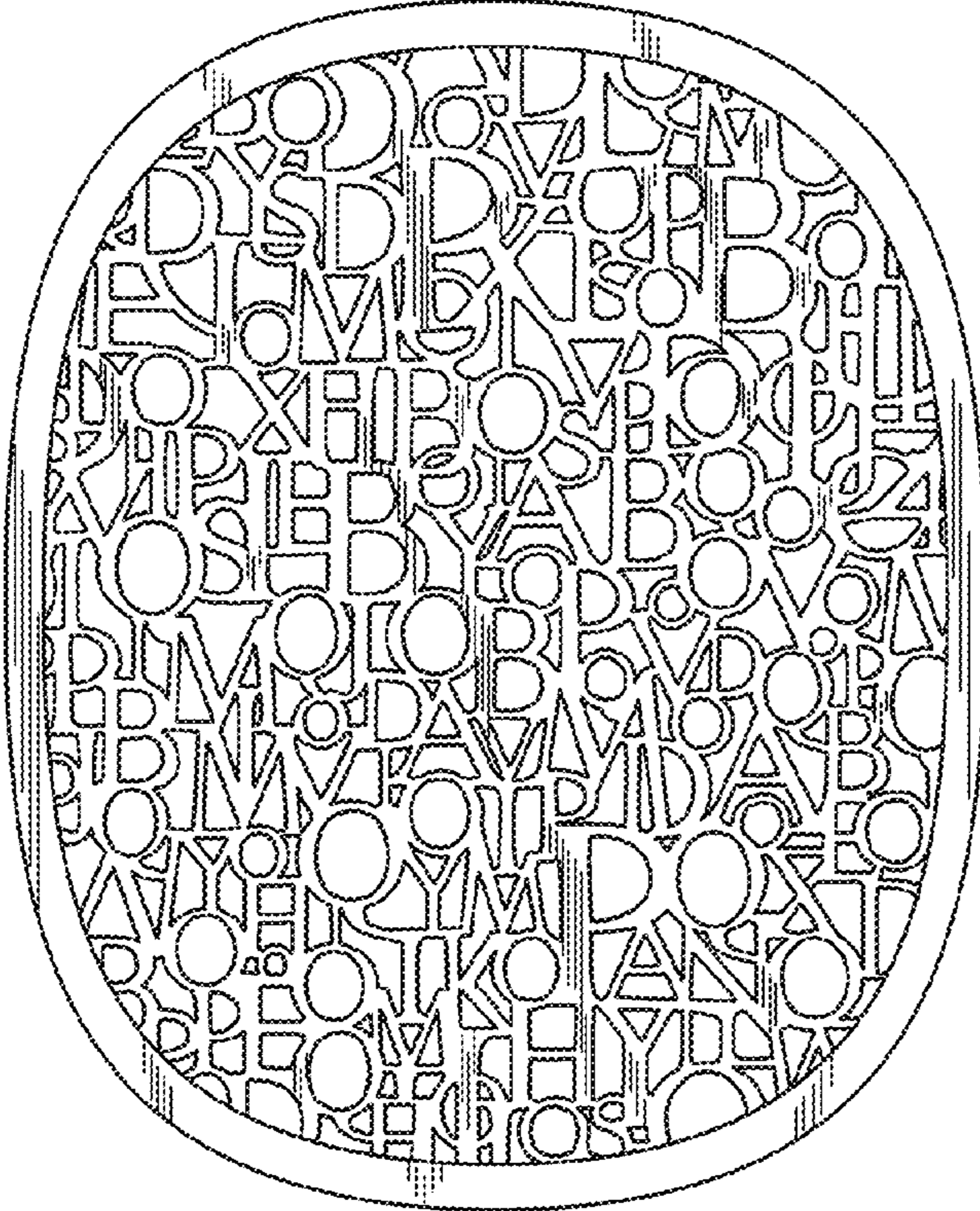


FIG. 4

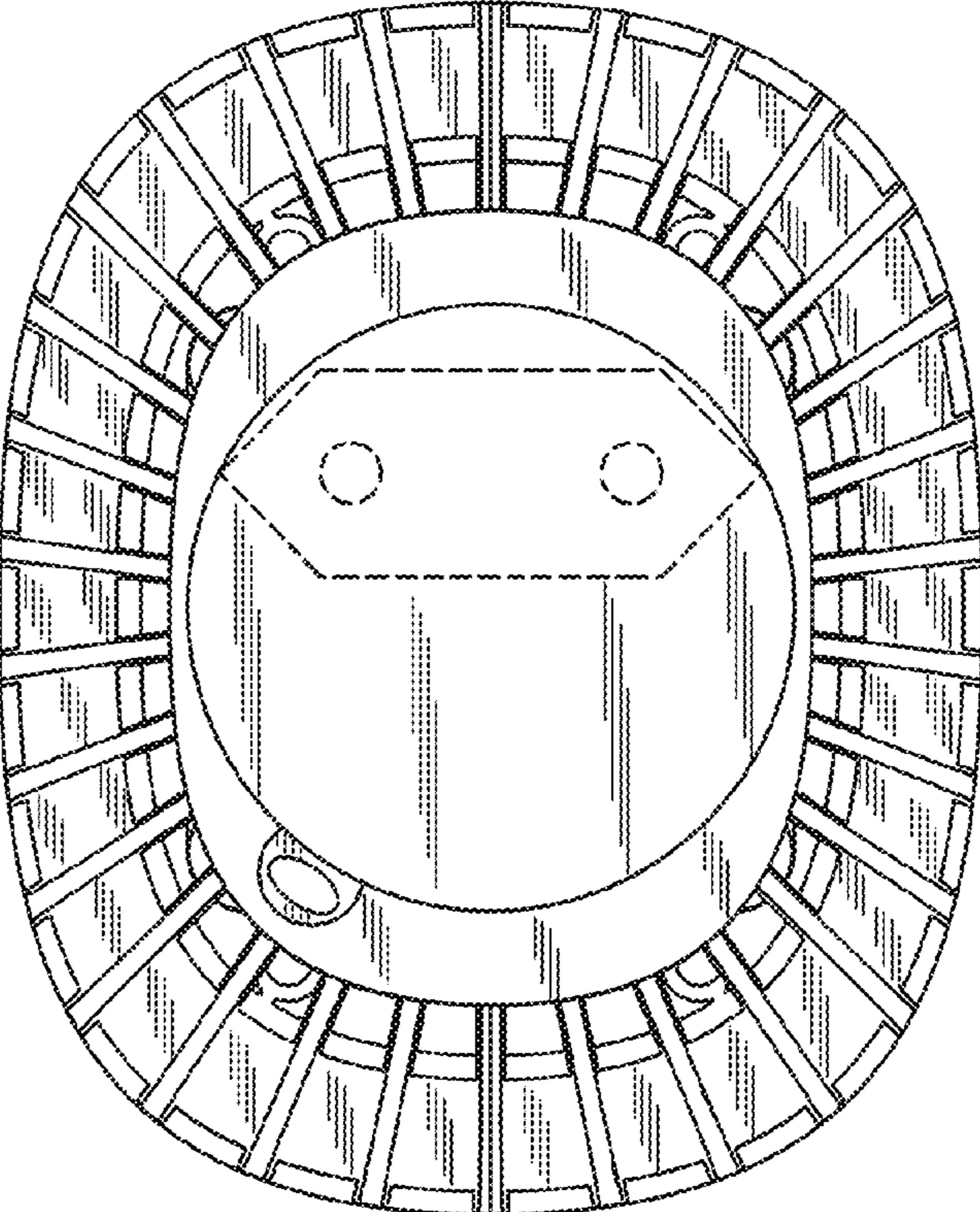


FIG. 5

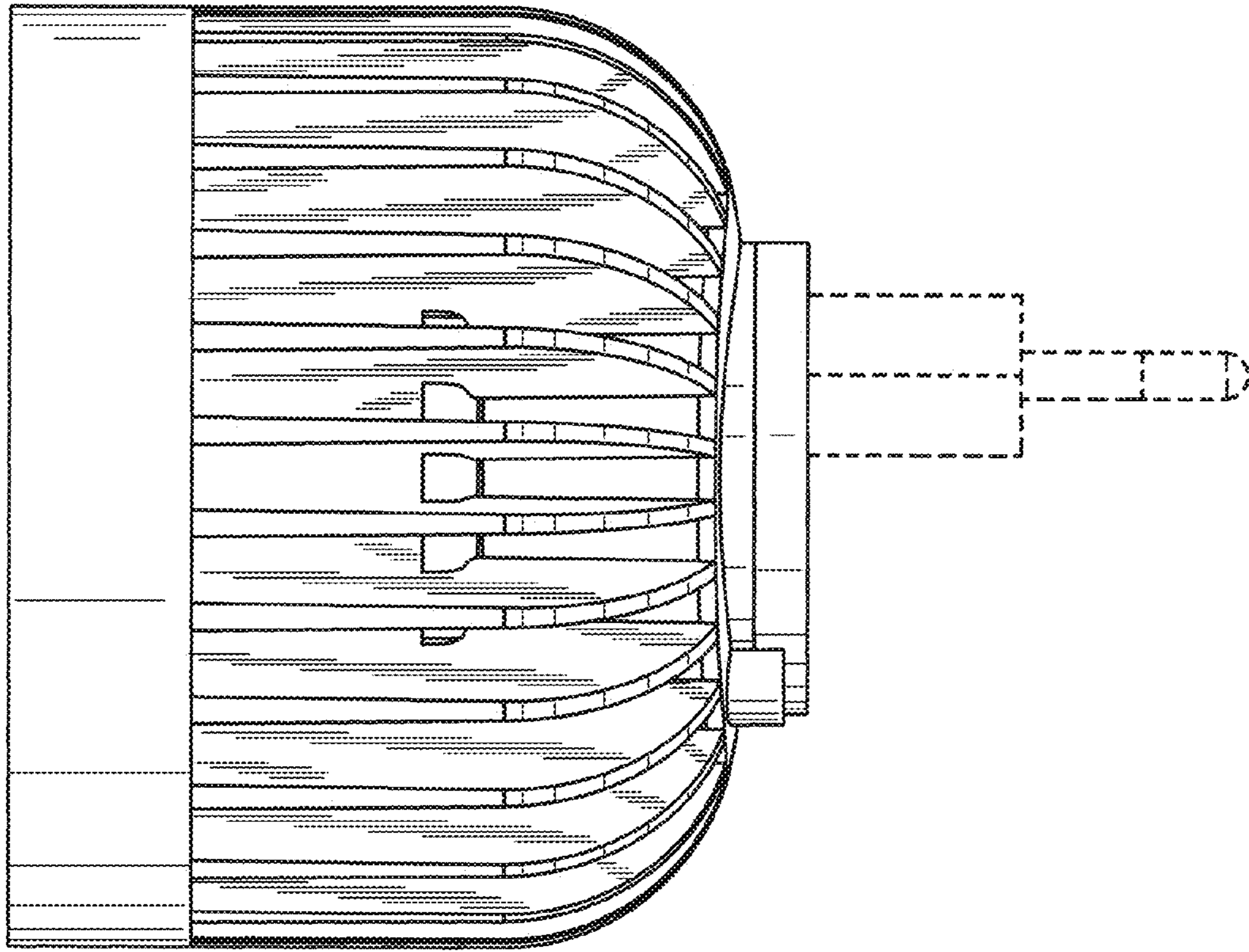


FIG. 6

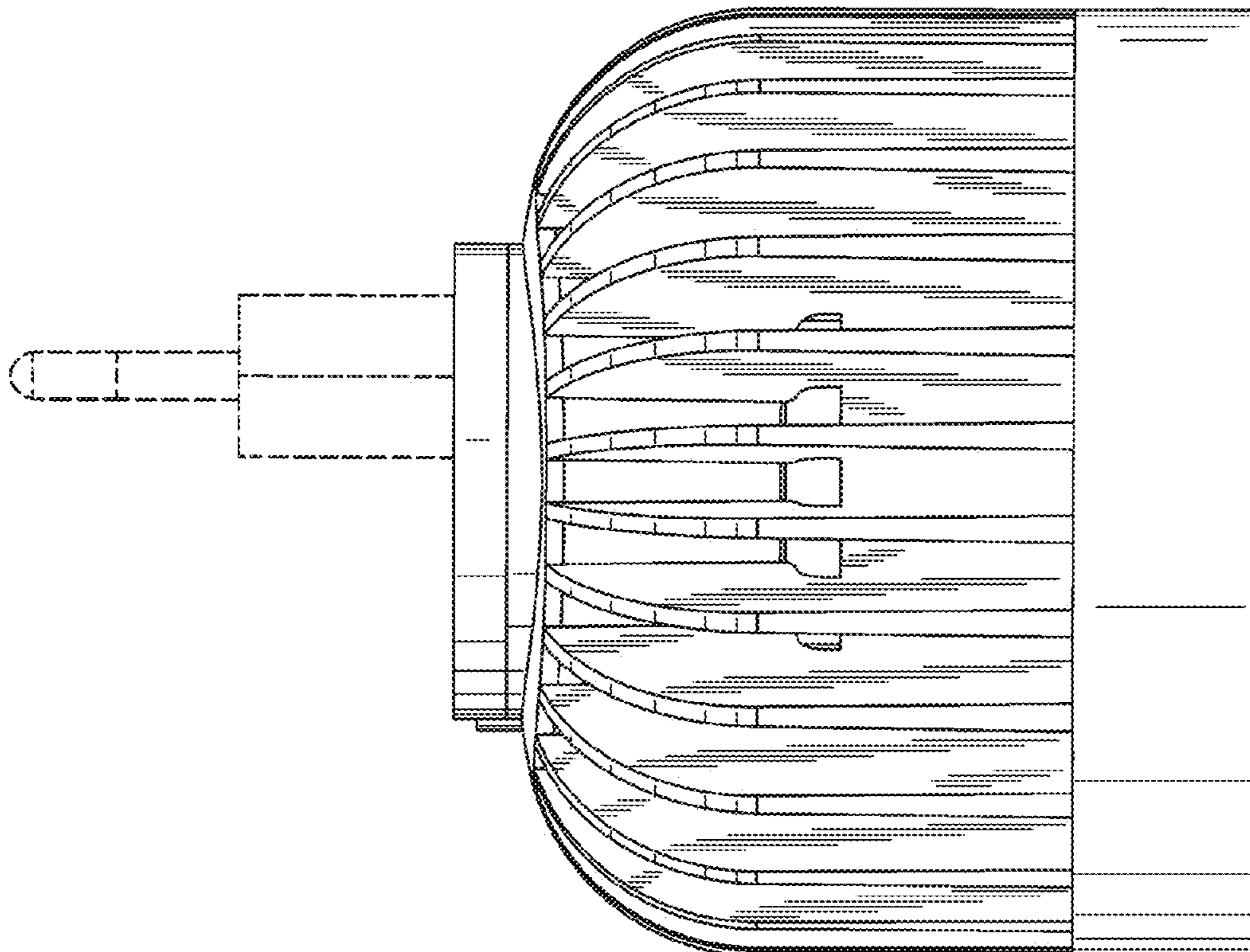


FIG. 7

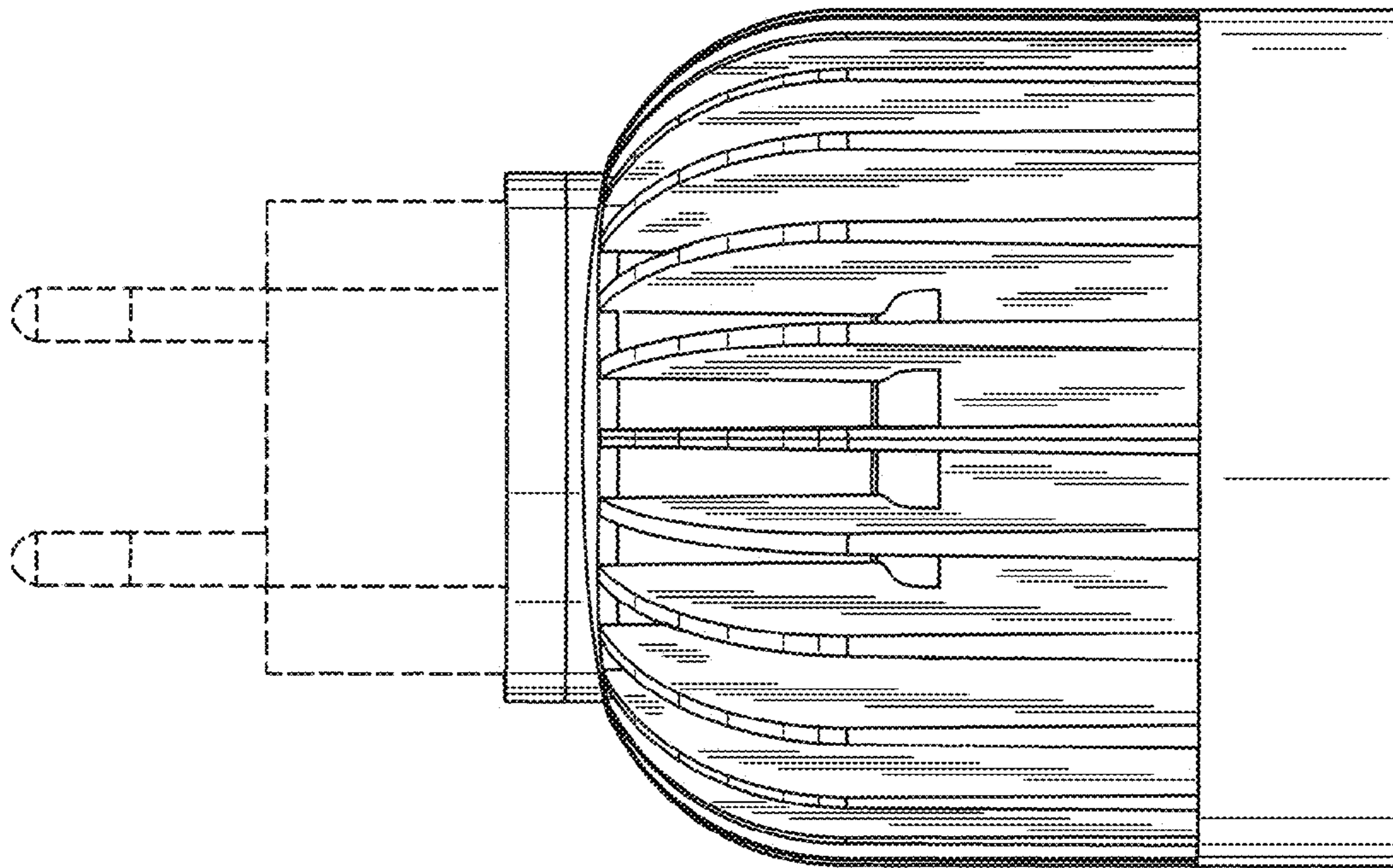


FIG. 8

