



US00D964531S

(12) **United States Design Patent** (10) **Patent No.:** **US D964,531 S**
Workman et al. (45) **Date of Patent:** **** Sep. 20, 2022**

(54) **FIRE PIT**

- (71) Applicant: **Barebones Systems, LLC**, Salt Lake City, UT (US)
- (72) Inventors: **Robert Emmett Workman**, Morgan, UT (US); **David Jared Burton**, Payson, UT (US)
- (73) Assignee: **BAREBONES SYSTEMS, LLC**, Salt Lake City, UT (US)
- (**) Term: **15 Years**
- (21) Appl. No.: **29/754,973**
- (22) Filed: **Oct. 15, 2020**

Related U.S. Application Data

- (63) Continuation of application No. 29/739,204, filed on Jun. 23, 2020, and a continuation of application No. 29/737,810, filed on Jun. 11, 2020.
- (51) **LOC (13) Cl.** **23-03**
- (52) **U.S. Cl.**
USPC **D23/335; D7/409**
- (58) **Field of Classification Search**
USPC D23/314, 332, 335, 339, 348, 338;
D7/323, 332, 334, 339, 343, 345, 347,
(Continued)

(56) **References Cited**

U.S. PATENT DOCUMENTS

D31,043 S * 6/1899 Smith D7/409
 2,573,988 A * 11/1951 Saltzberg A47J 37/0731
 99/340

(Continued)

FOREIGN PATENT DOCUMENTS

CN 306200995 * 12/2020
 EM 001038046-0001 * 11/2008

(Continued)

OTHER PUBLICATIONS

BareBones [online] URL: <https://barebonesliving.com/collections/fire-pits-grills/products/cowboy-fire-pit-grill-30> (site visited: Dec. 15, 2021) (Year: 2020).*

(Continued)

Primary Examiner — Jae Liang
Assistant Examiner — Tia Ruth-Renee Polidori
 (74) *Attorney, Agent, or Firm* — Morriss O’Bryant
 Compagni Cannon, PLLC

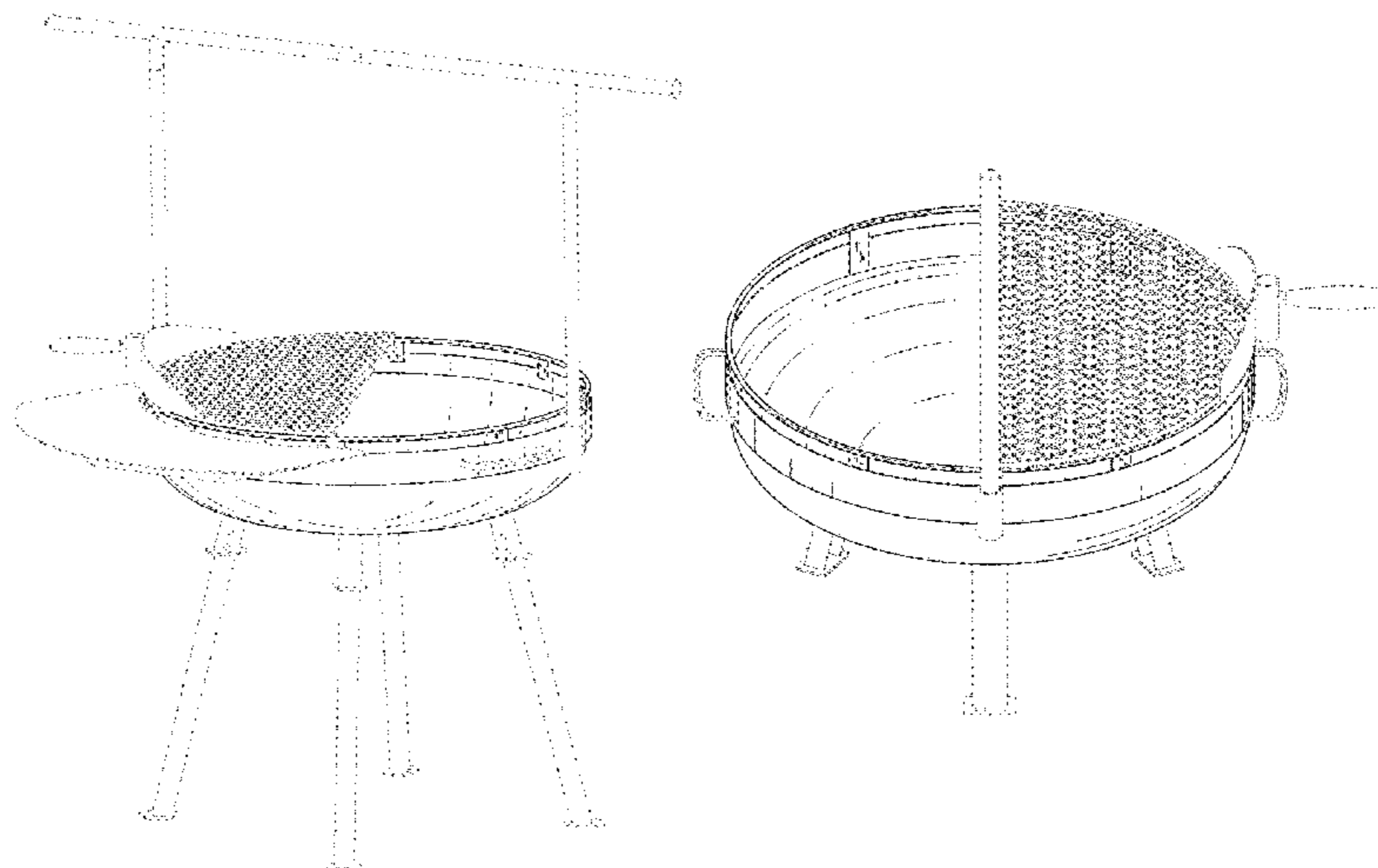
(57) **CLAIM**

The ornamental design for a fire pit, as shown and described.

DESCRIPTION

FIG. 1 is top perspective view of a first embodiment of a fire pit shown in an environment of use;
 FIG. 2 is a bottom perspective view thereof;
 FIG. 3 is a top perspective view of a first embodiment of a fire pit shown separately for clarity of disclosure;
 FIG. 4 is a bottom perspective view thereof;
 FIG. 5 is a left side elevation view thereof;
 FIG. 6 is a right side elevation view thereof;
 FIG. 7 is a front elevation view thereof;
 FIG. 8 is a back elevation view thereof;
 FIG. 9 is a top plan view thereof;
 FIG. 10 is a bottom plan view thereof;
 FIG. 11 is a top perspective view of a second embodiment of a fire pit shown in an environment of use;
 FIG. 12 is a top perspective view of a second embodiment of a fire pit shown separately for clarity of disclosure;
 FIG. 13 is a bottom perspective view of a second embodiment of a fire pit shown in an environment of use;
 FIG. 14 is a bottom perspective view of a second embodiment of a fire pit shown separately for clarity of disclosure;
 FIG. 15 is a left side elevation view thereof;
 FIG. 16 is a right side elevation view thereof;
 FIG. 17 is a front elevation view thereof;
 FIG. 18 is a back elevation view thereof;
 FIG. 19 is a top plan view thereof; and,
 FIG. 20 is a bottom plan view thereof.

(Continued)



The broken lines illustrate portions of the fire pit that form no part of the claimed design.

1 Claim, 20 Drawing Sheets

(58) Field of Classification Search

USPC D7/362, 363, 387, 402, 403, 405, 408, D7/409; D8/315
 CPC A47J 2202/00; A47J 27/00; A47J 36/00; A47J 36/26; A47J 37/00; A47J 37/04; A47J 37/0623; A47J 37/0647; A47J 37/07; A47J 37/0704; F24B 1/00; F24B 3/00; F24C 1/00; F24C 15/36; F24C 3/002

See application file for complete search history.

(56) References Cited

U.S. PATENT DOCUMENTS

D202,958 S * 11/1965 Cohen D7/338
 3,309,982 A * 3/1967 Surks A47J 37/04 99/420
 3,814,076 A * 6/1974 Zankowsky A47J 37/0704 126/25 A
 D242,593 S * 12/1976 Sterkel D7/332
 D247,661 S * 4/1978 Willard D7/336
 5,159,917 A * 11/1992 Archer A47J 37/0763 126/25 R
 D342,184 S * 12/1993 Sanchez D7/335
 D391,118 S * 2/1998 Jørgensen D7/584
 D395,785 S * 7/1998 Lin D7/332
 D457,229 S * 5/2002 Chen D23/343
 D481,256 S * 10/2003 Bossier D7/337
 D483,230 S * 12/2003 Mountain D7/586
 D498,639 S * 11/2004 Brasslet D7/360
 D509,106 S * 9/2005 de Groote D7/587
 D547,592 S * 7/2007 Chiang D7/332
 D575,992 S * 9/2008 LeGreve D7/586
 D579,261 S * 10/2008 Chiang D7/332
 D630,897 S * 1/2011 Jarvis D7/407
 D650,227 S * 12/2011 Walker D7/409
 D678,712 S * 3/2013 Mehler D7/359
 D734,094 S * 7/2015 Vogds D7/409
 D734,975 S * 7/2015 Troyer, Jr. D7/332

D756,158 S * 5/2016 Krawiec D7/332
 9,339,145 B1 * 5/2016 Owczarzak A47J 37/0682
 D801,495 S * 10/2017 Home, III D23/336
 D816,994 S * 5/2018 Fischer D3/294
 D822,436 S * 7/2018 Wereszynski D7/409
 10,130,212 B2 * 11/2018 Lopez A47J 37/0704
 D842,649 S * 3/2019 Mishan D7/409
 D843,161 S * 3/2019 Workman D7/360
 D845,455 S * 4/2019 Horsfield D23/332
 D858,193 S * 9/2019 Romzek D7/409
 D860,727 S * 9/2019 Eom D7/409
 D862,967 S * 10/2019 Workman D7/332
 D862,988 S * 10/2019 Wiggins D7/587
 D863,885 S * 10/2019 Woller D7/409
 D876,875 S * 3/2020 Wang D7/359
 D878,860 S * 3/2020 Halasinski D7/409
 D889,901 S * 7/2020 Cheng D7/354
 D891,179 S * 7/2020 Parrish D7/409
 D904,115 S * 12/2020 Hunsaker D7/409
 D914,431 S * 3/2021 Ma D7/334
 D914,433 S * 3/2021 Chung D7/337
 D924,618 S * 7/2021 Barberi D7/360
 D927,257 S * 8/2021 Miller D7/587
 D930,352 S * 9/2021 Jiang D3/203.1
 D946,961 S * 3/2022 Workman D7/334
 2015/0068512 A1 * 3/2015 Mehler A47J 37/067 126/25 R
 2015/0075514 A1 * 3/2015 Kuenzinger A47J 37/0763 126/25 A
 2017/0150847 A1 * 6/2017 Feng A47J 37/0763
 2019/0082886 A1 * 3/2019 Yan F24B 1/022
 2019/0099041 A1 * 4/2019 Figueroa A47J 37/0763
 2020/0260911 A1 * 8/2020 Brennan A47J 36/16

FOREIGN PATENT DOCUMENTS

EM 008360689-0001 * 1/2021
 FR 963874-001 * 11/1996

OTHER PUBLICATIONS

BareBones-23 [online] URL: <https://barebonesliving.com/collections/fire-pits-grills/products/cowboy-fire-pit-grill-23> (site visited: Dec. 15, 2021) (Year: 2020).*
 Cacomoca [online] URL: <https://www.youtube.com/watch?v=yvp03C-ittM> (site visited: Dec. 15, 2021) (Year: 2021).*

* cited by examiner

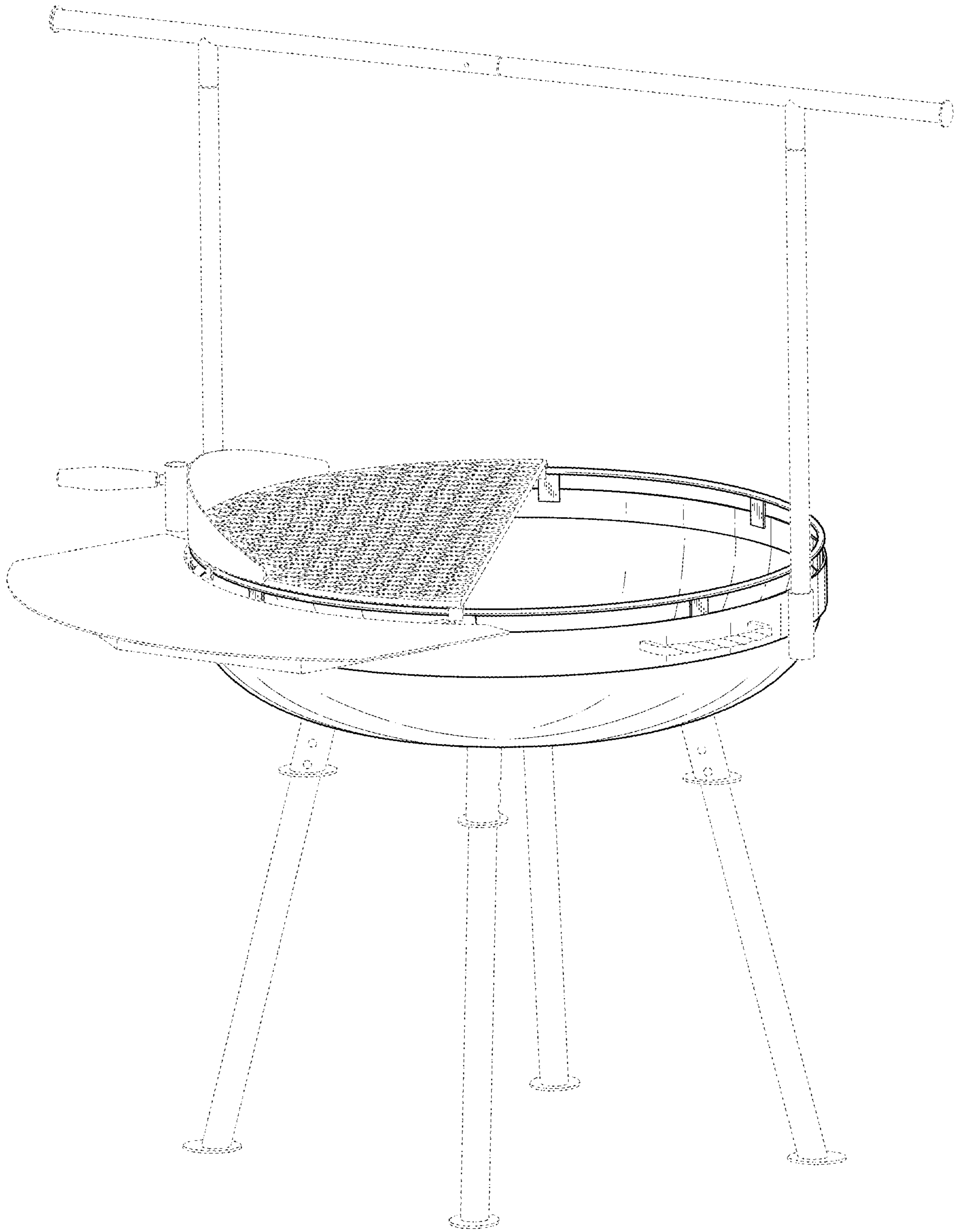


FIG. 1

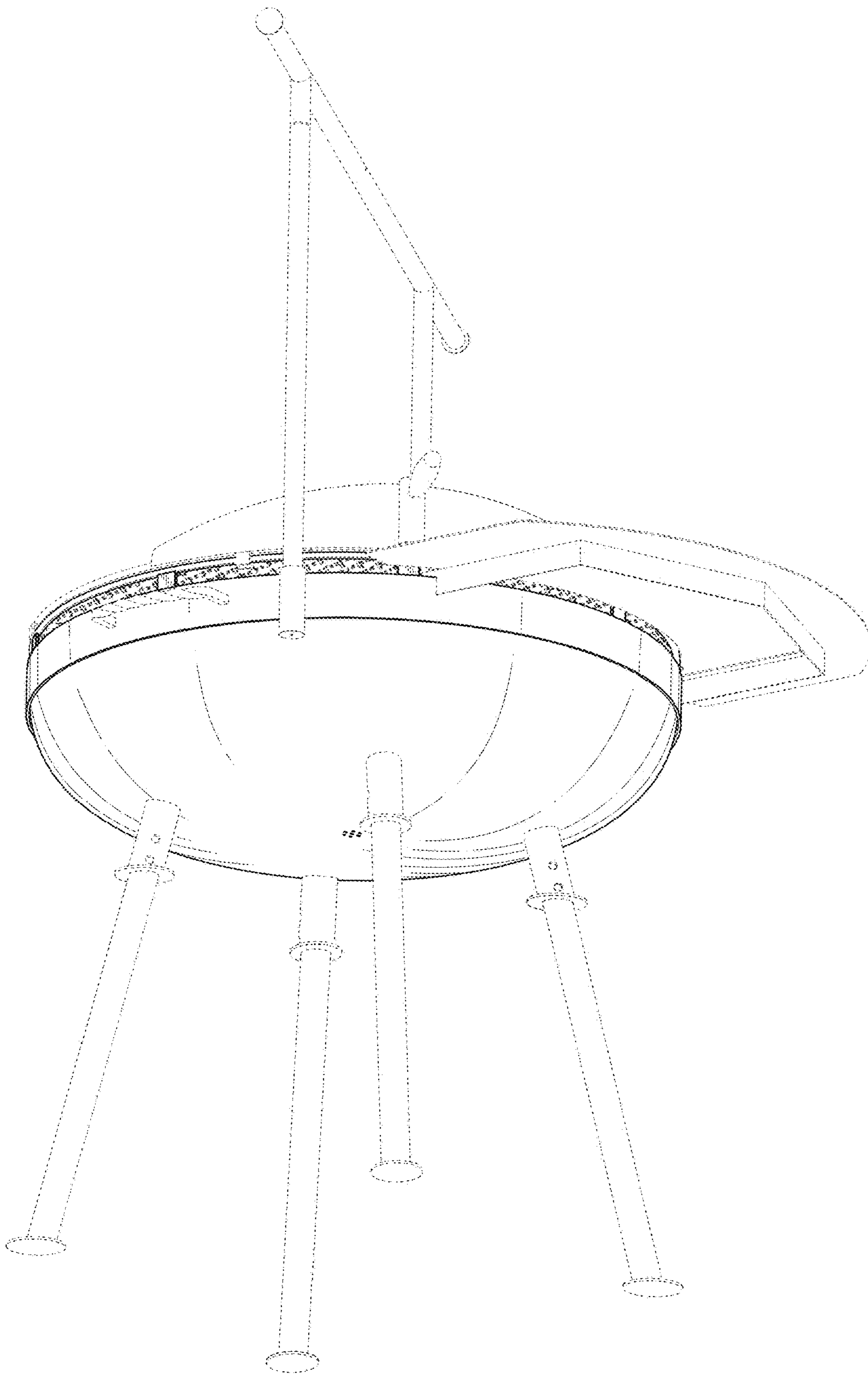


FIG. 2

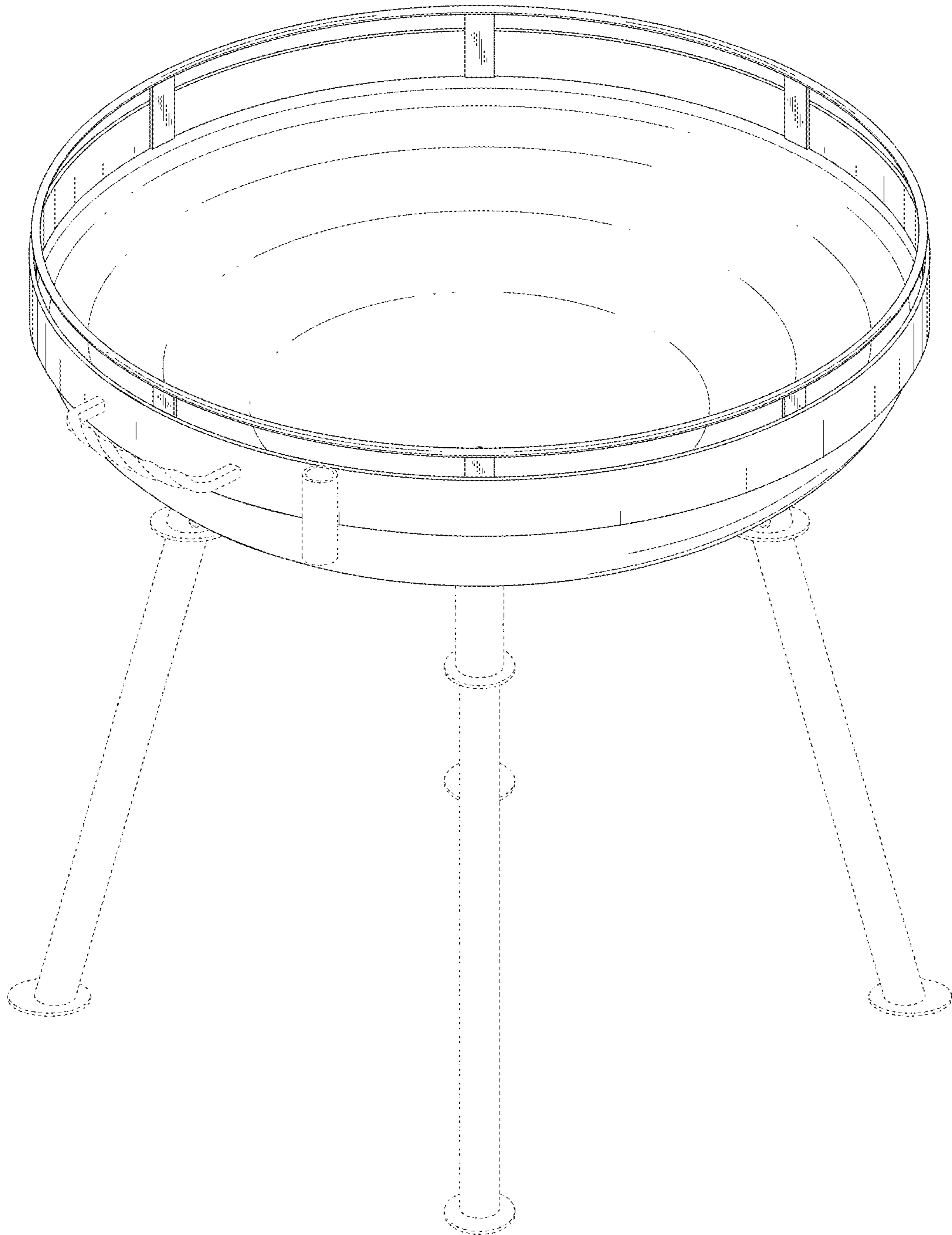


FIG. 3

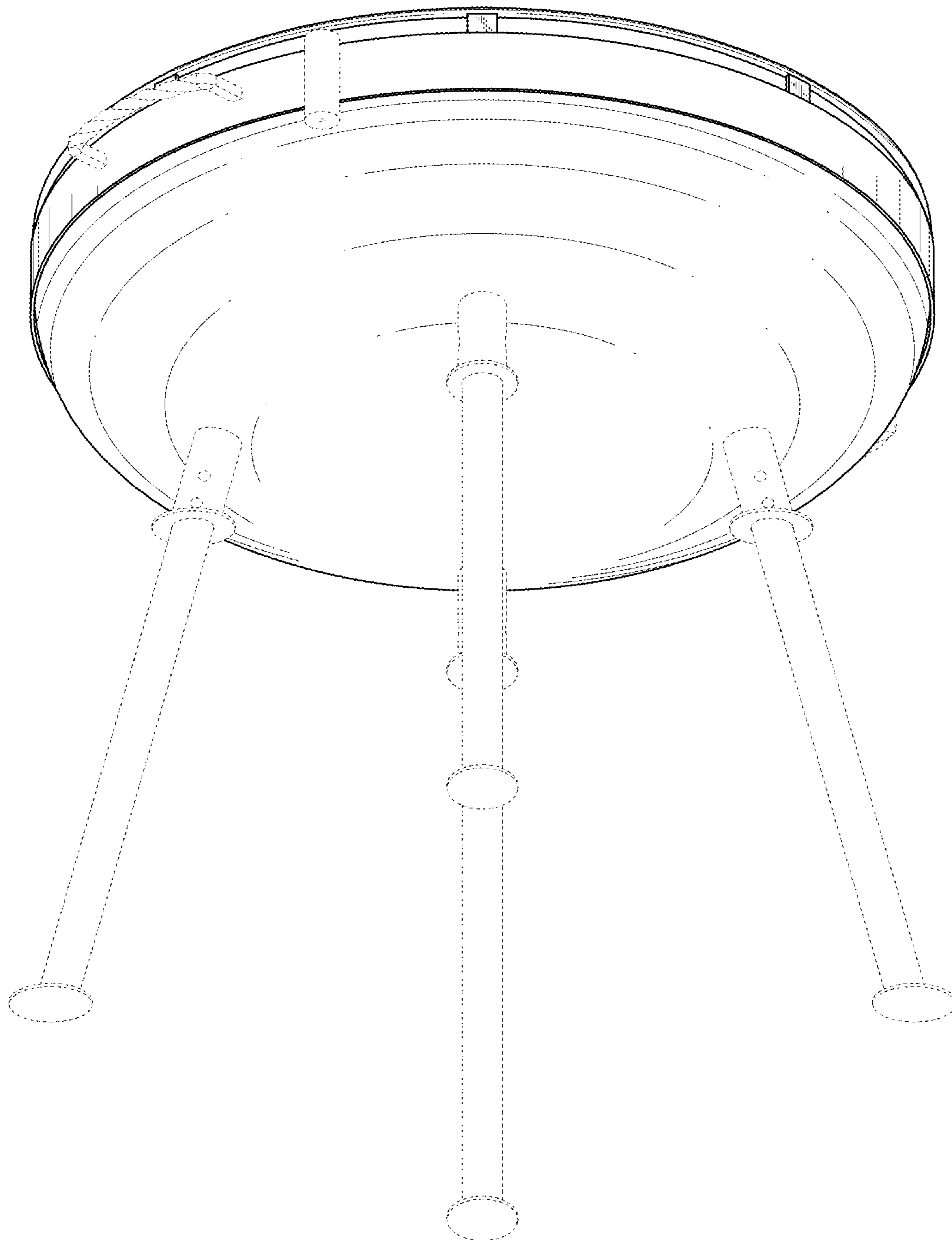


FIG. 4

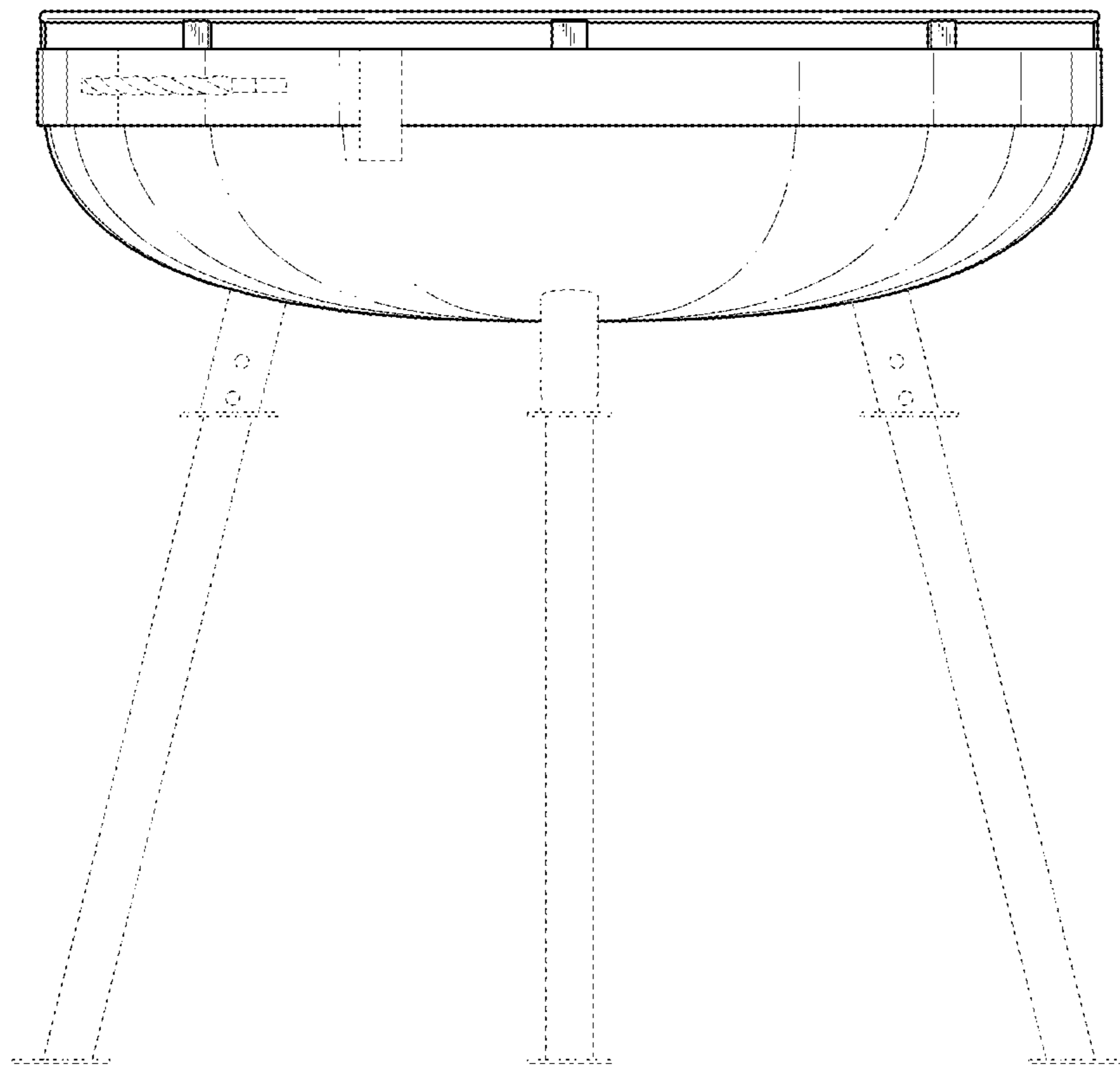


FIG. 5

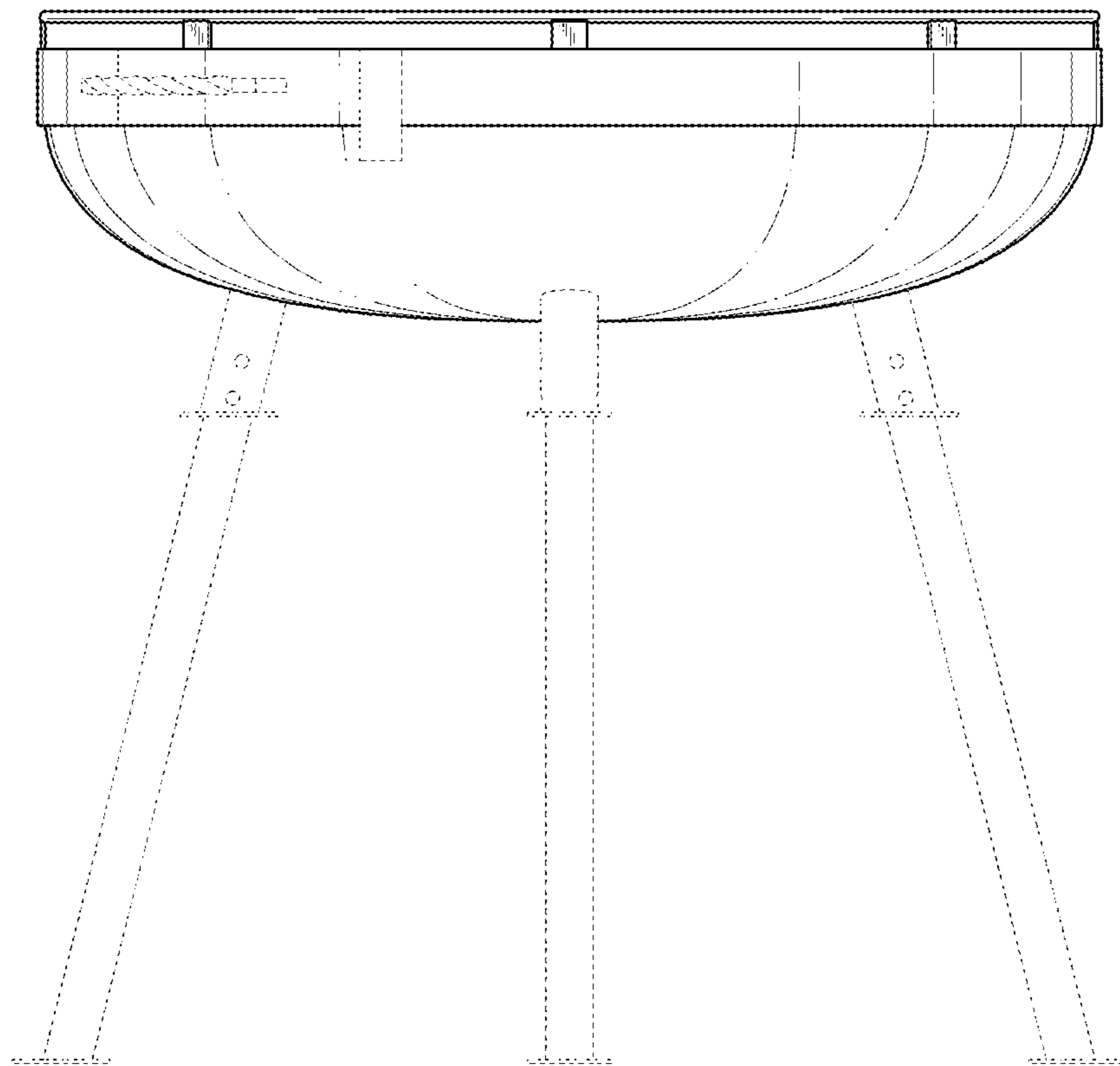


FIG. 6

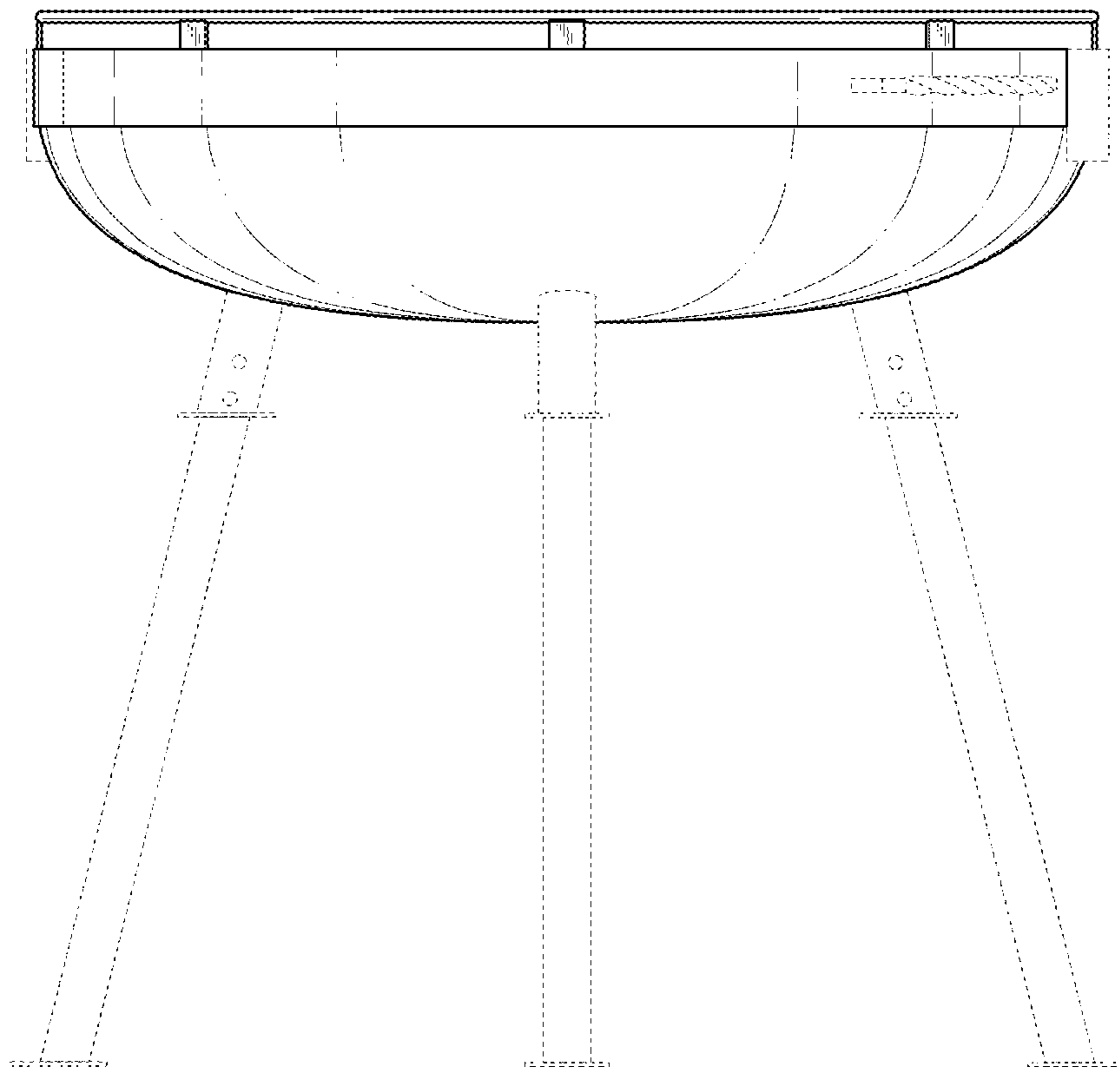


FIG. 7

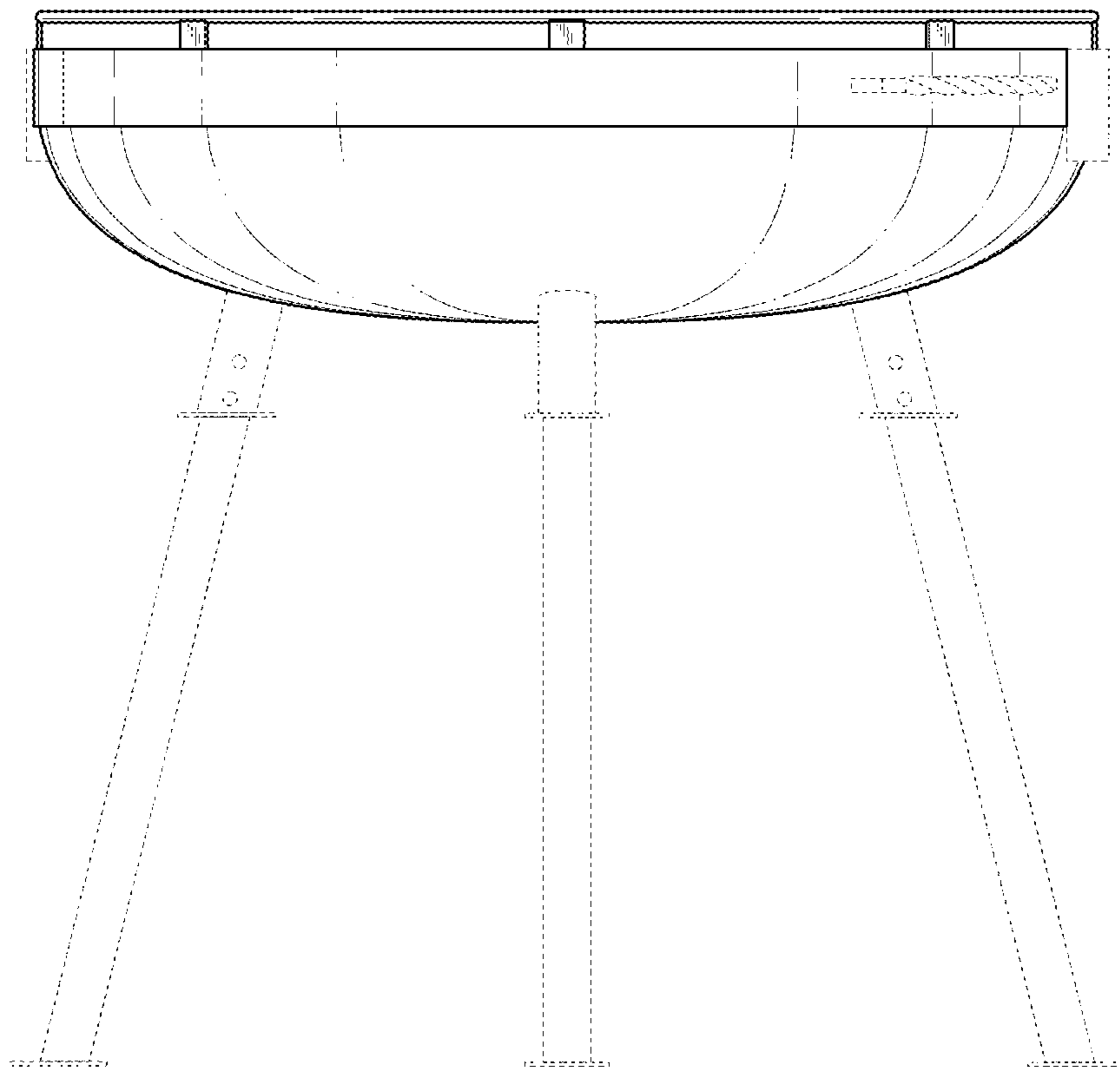


FIG. 8

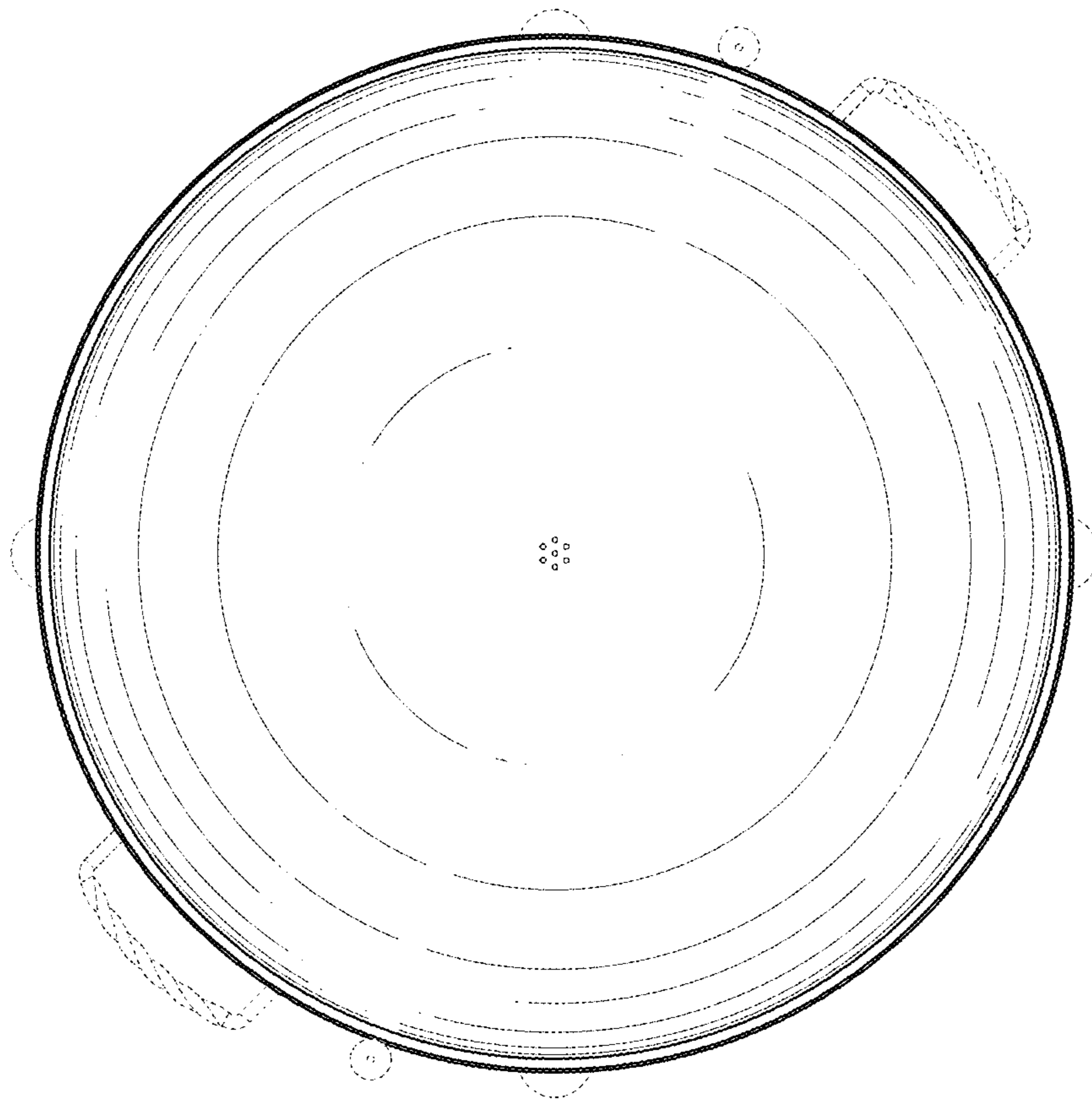


FIG. 9

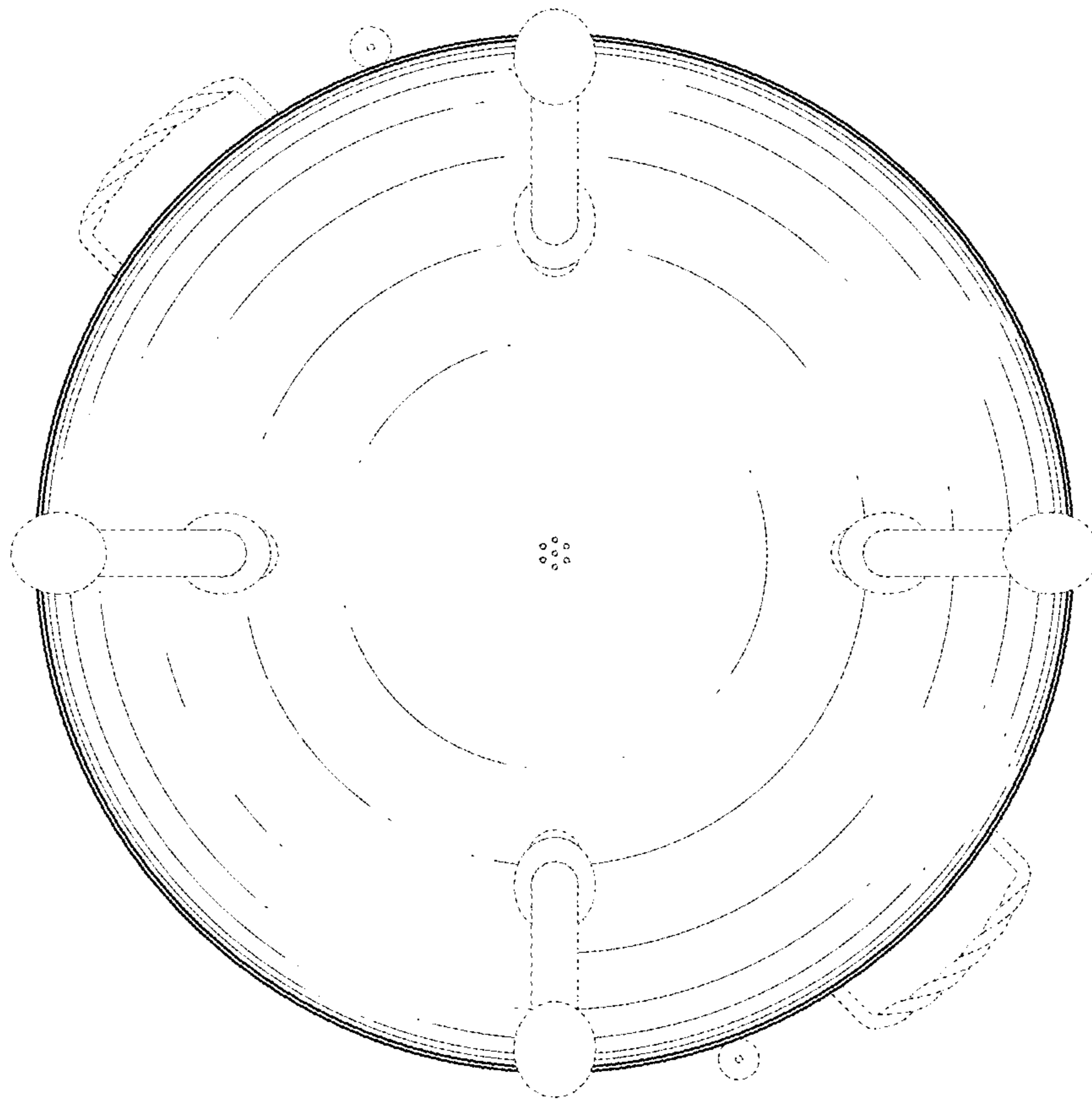


FIG. 10

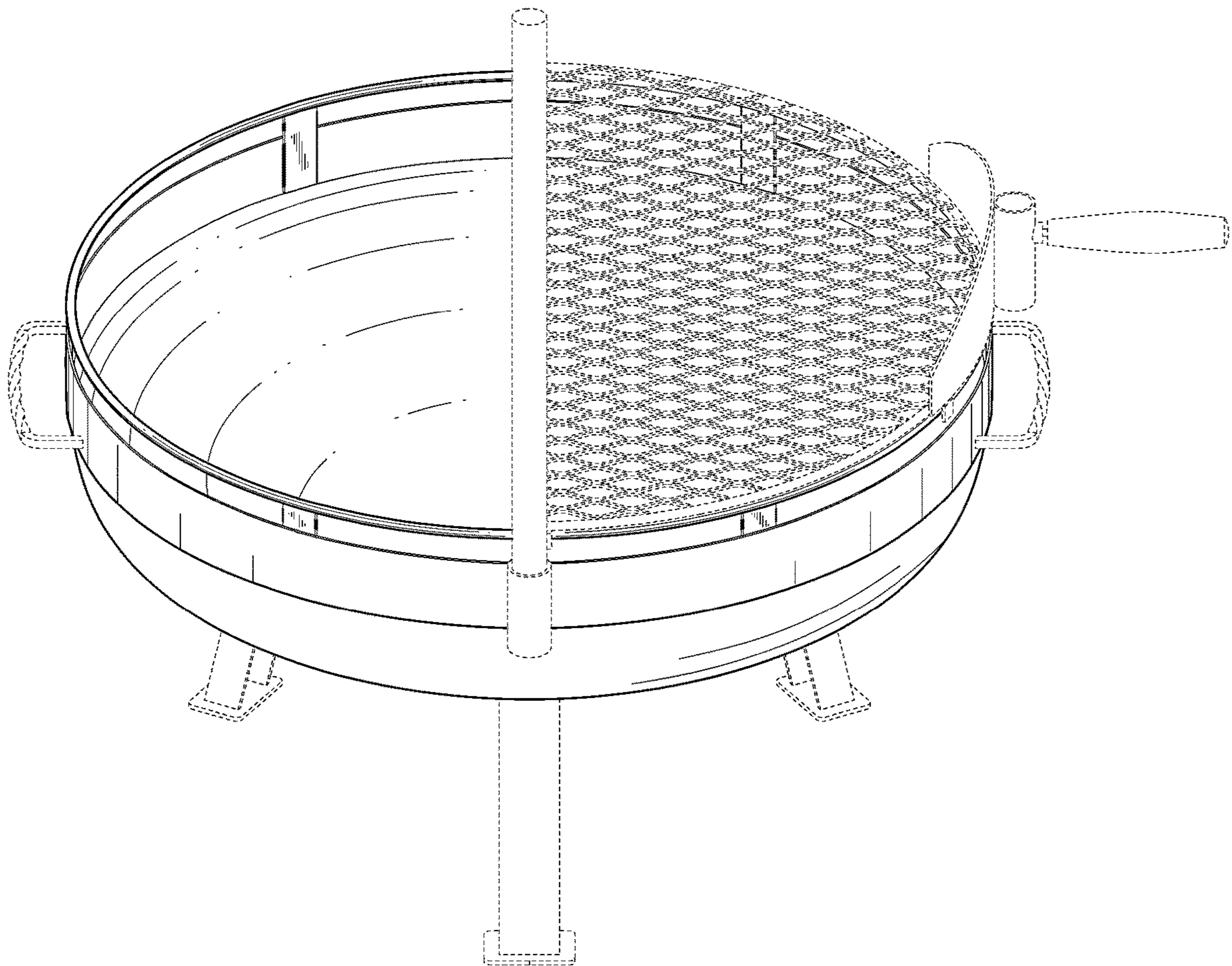


FIG. 11

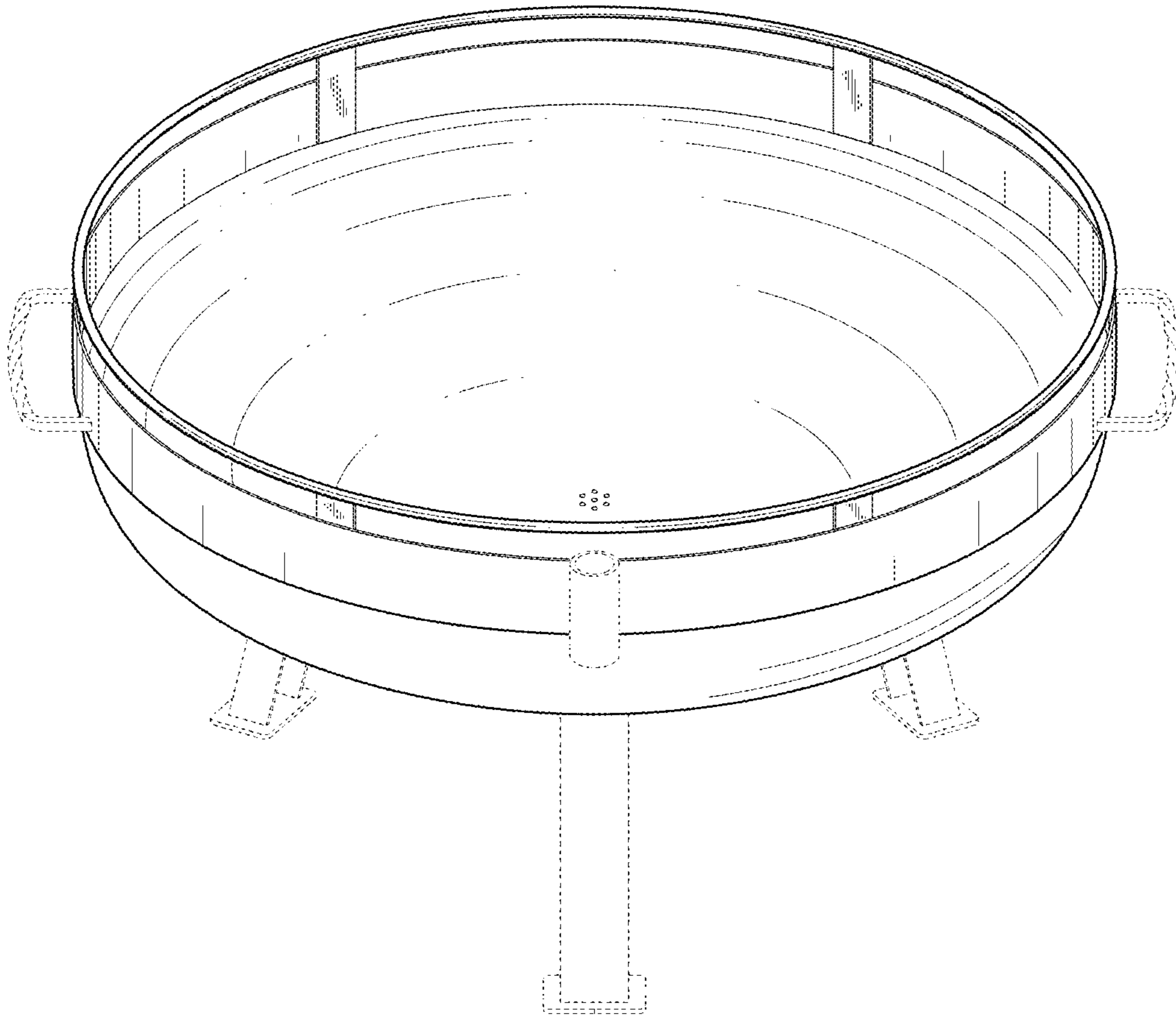


FIG. 12

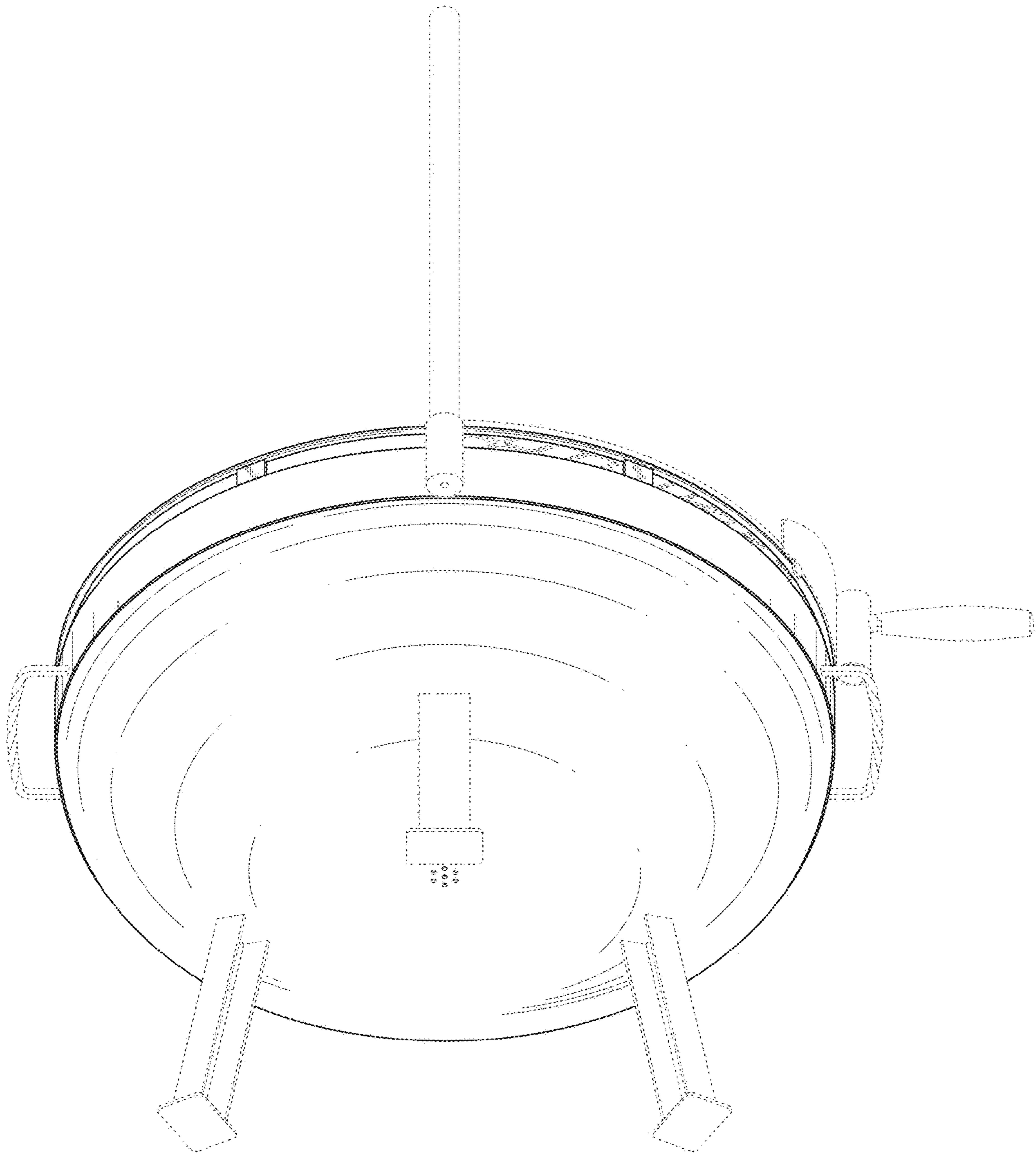


FIG. 13

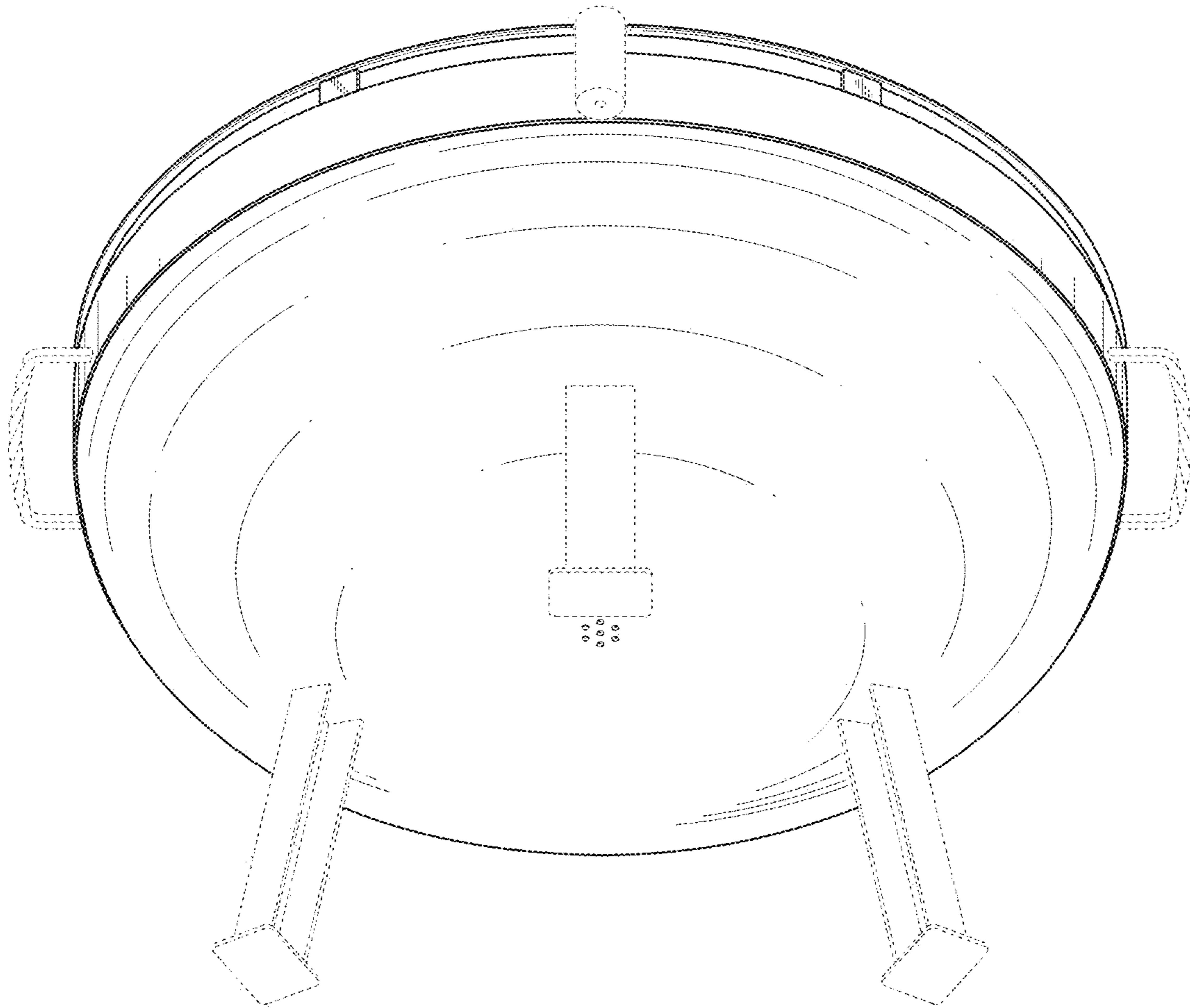


FIG. 14

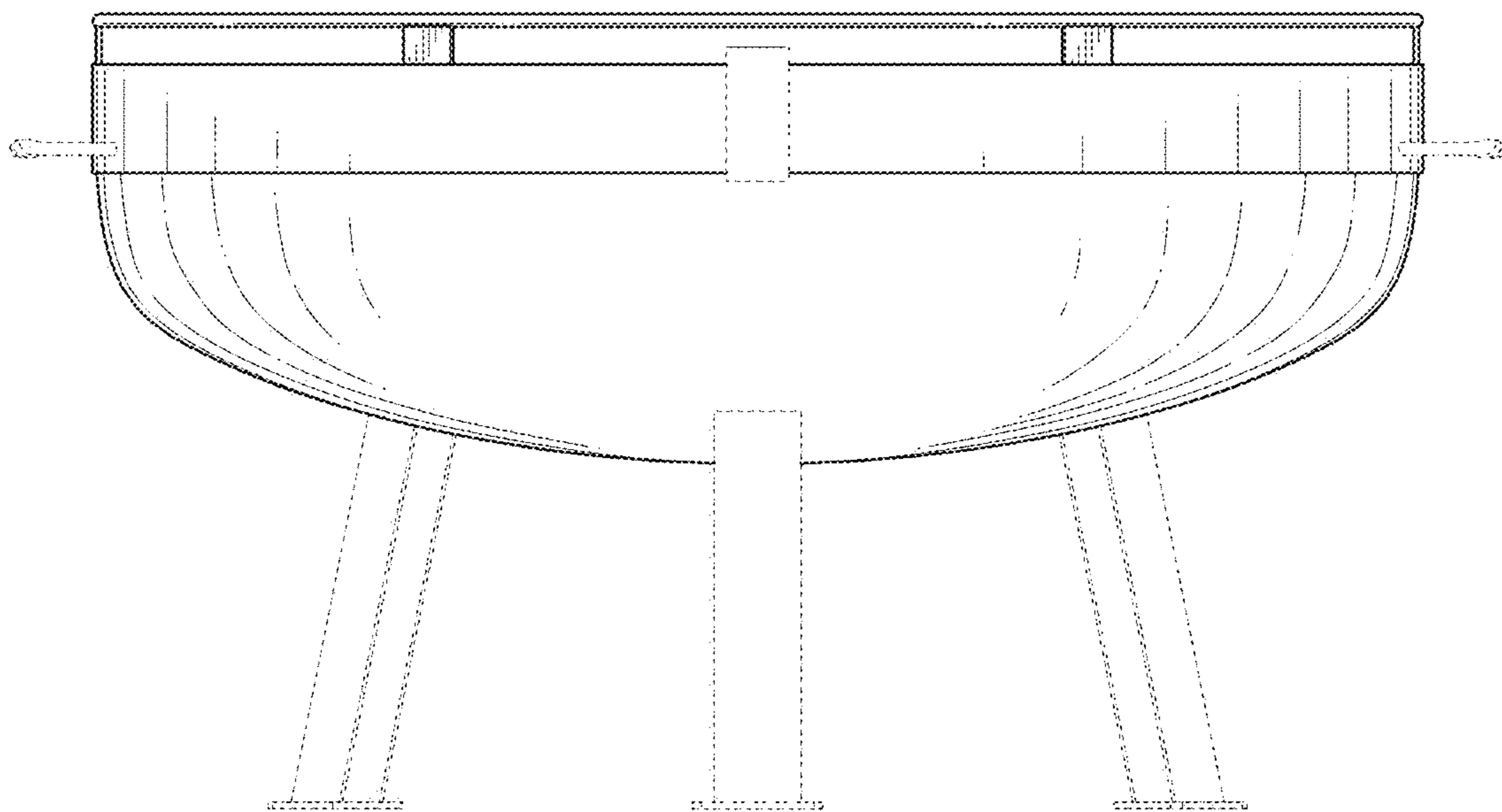


FIG. 15

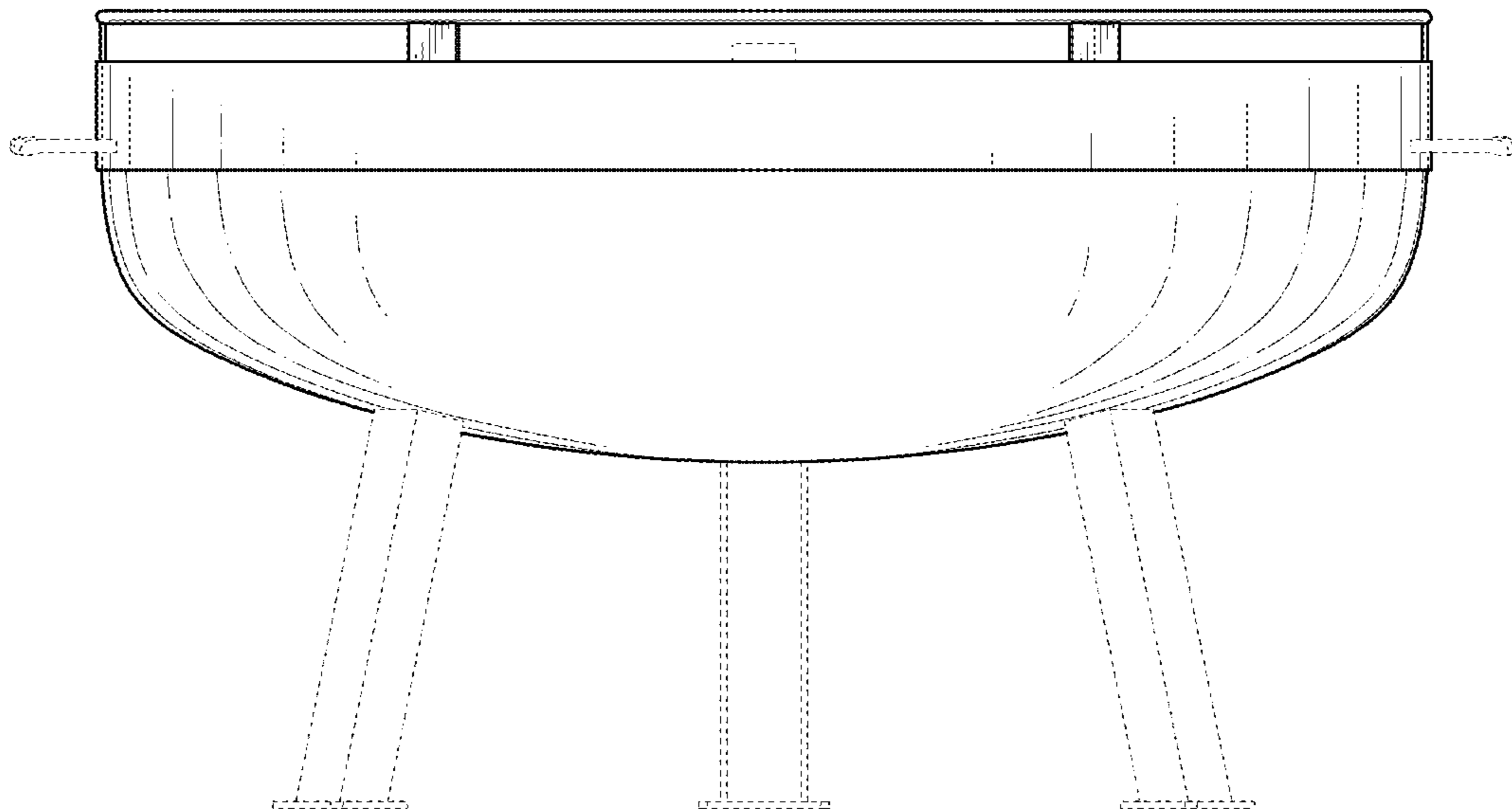


FIG. 16

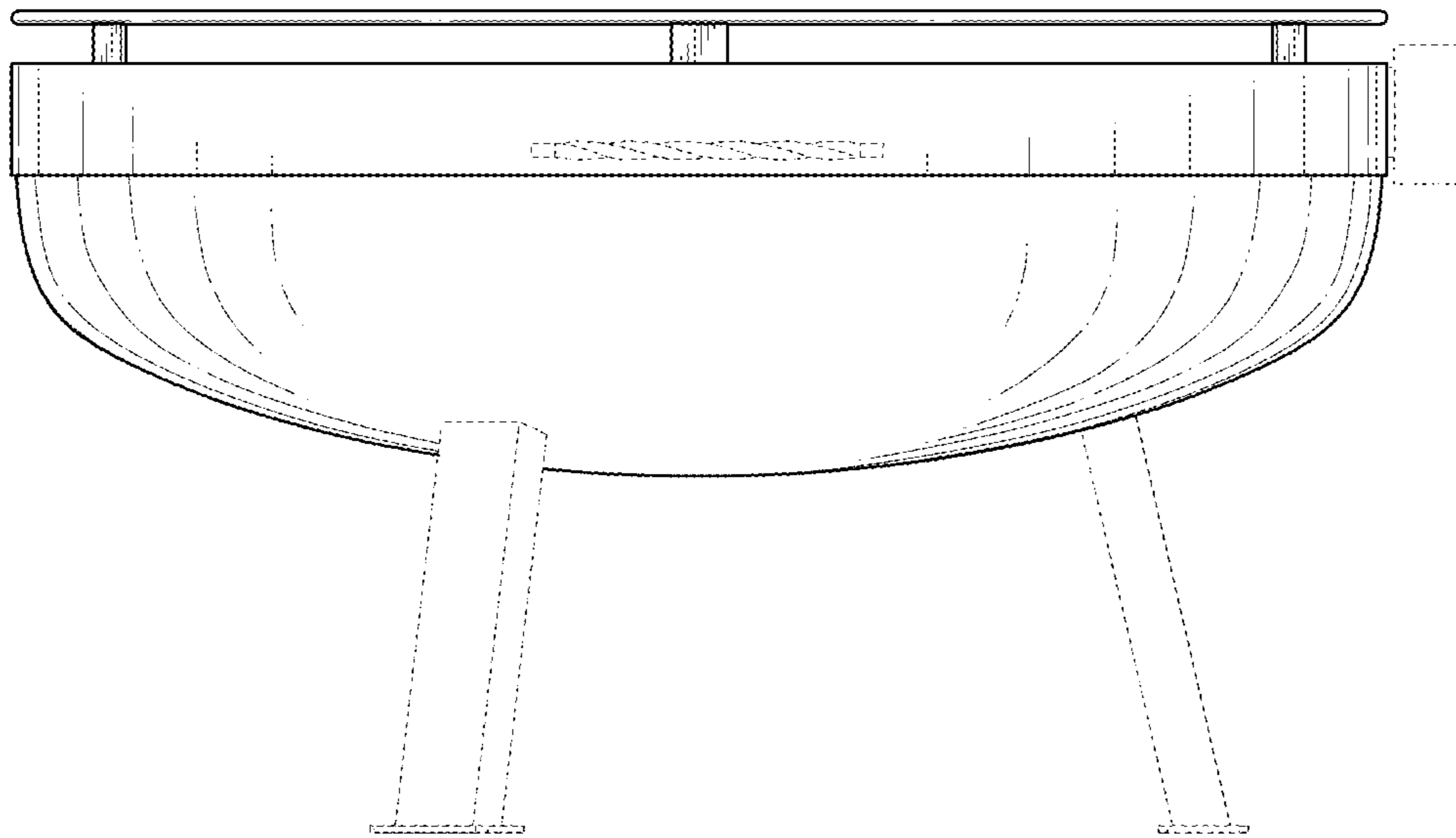


FIG. 17

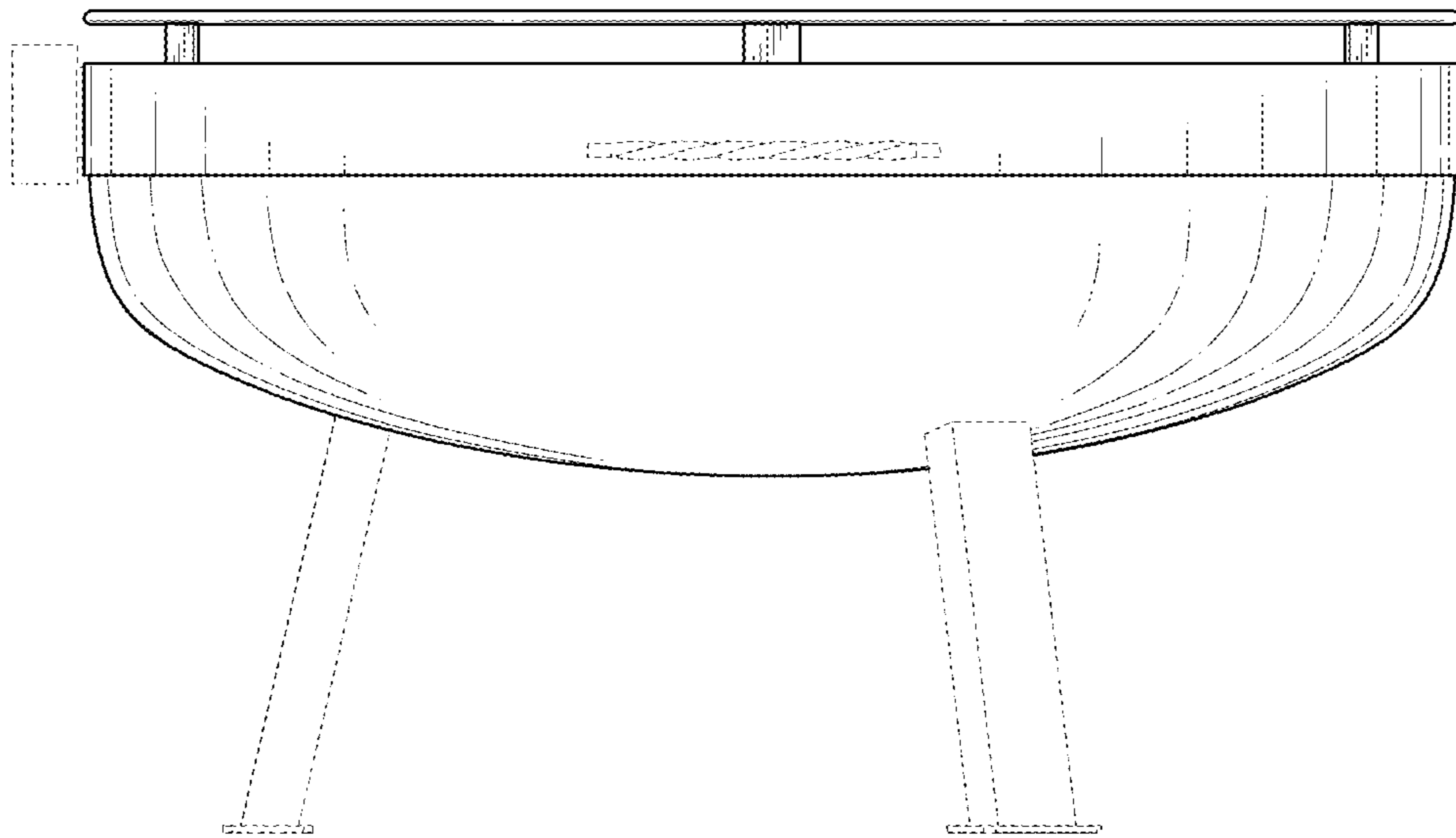


FIG. 18

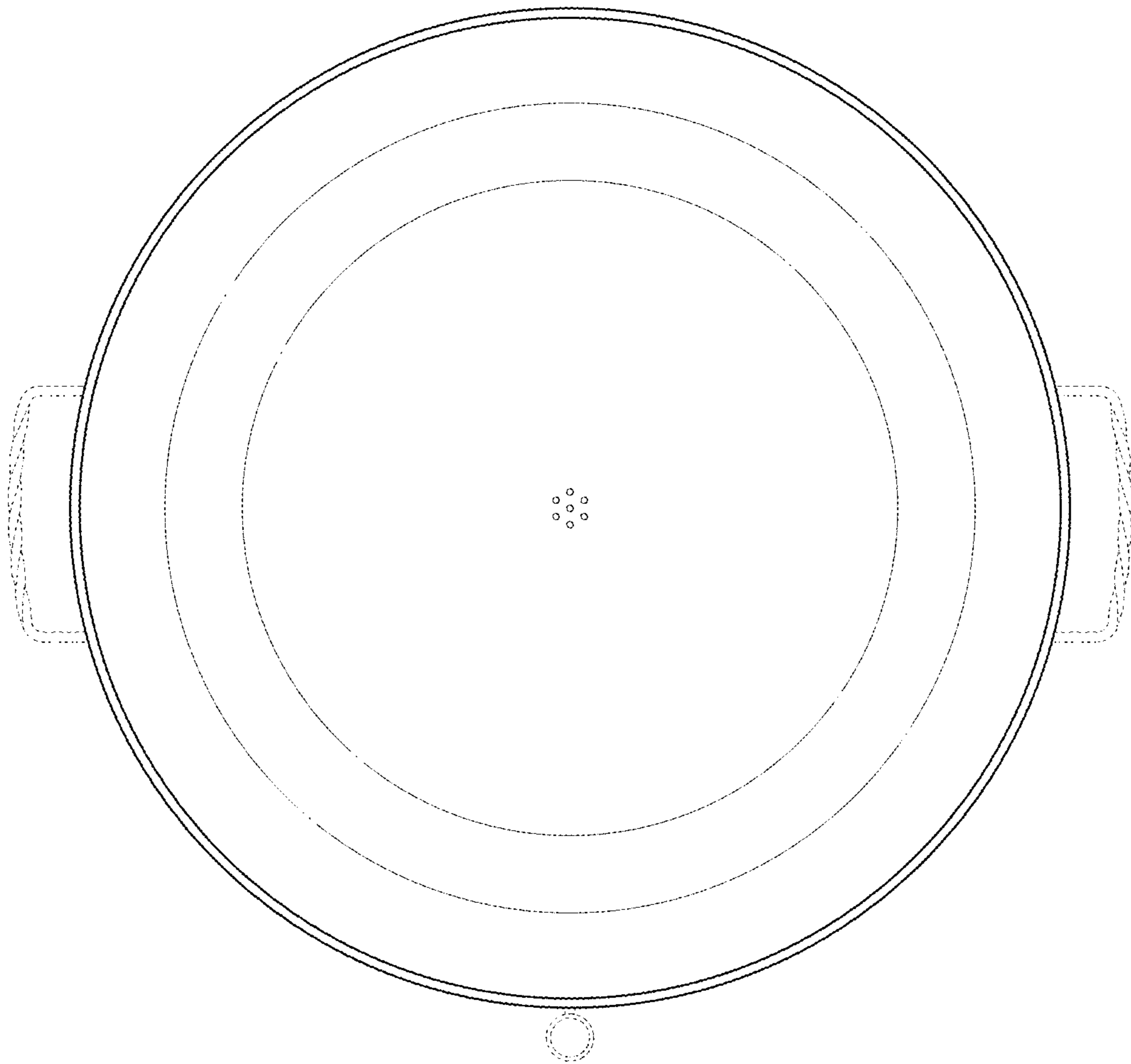


FIG. 19

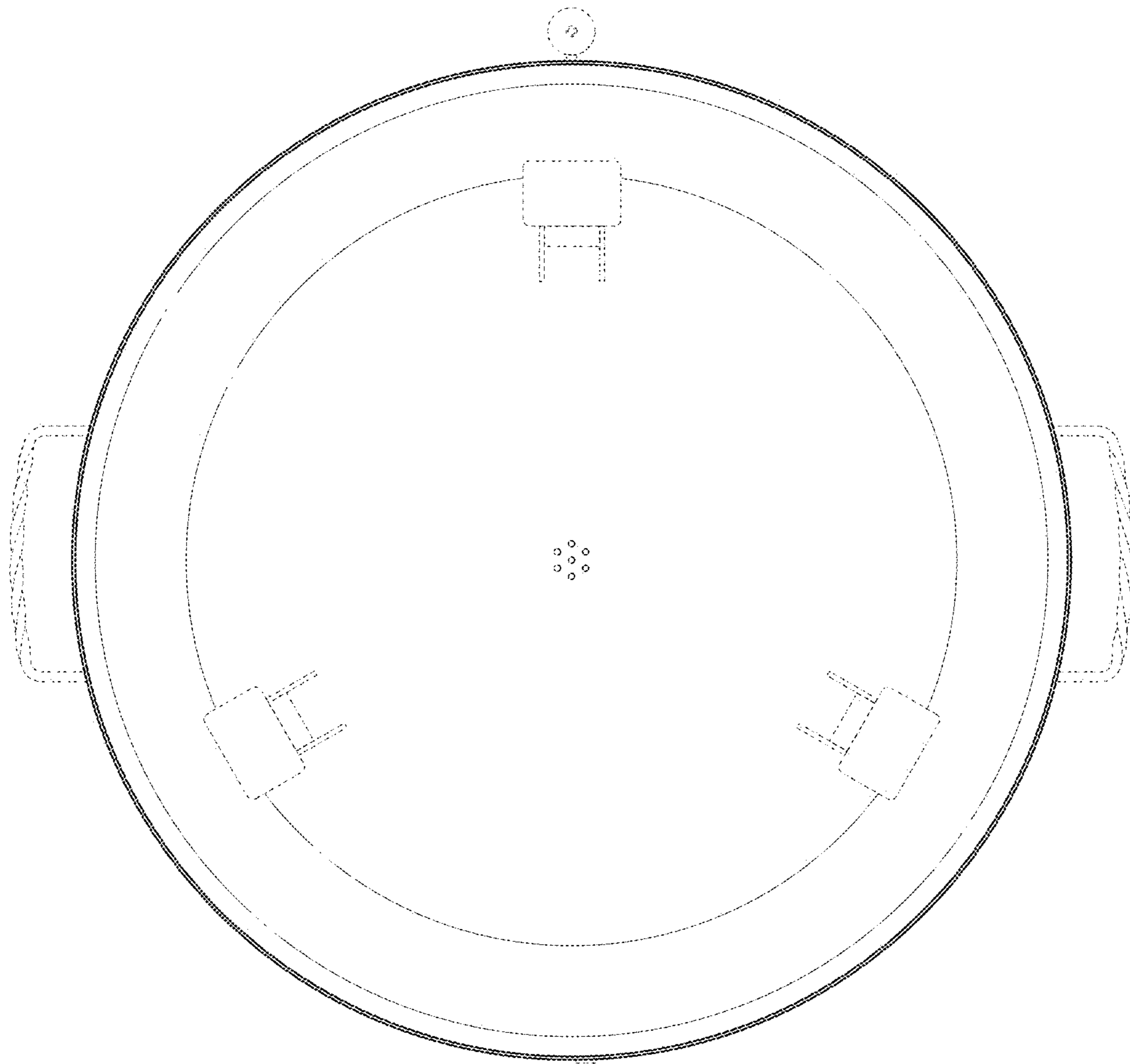


FIG. 20