



US00D964529S

(12) **United States Design Patent** (10) **Patent No.:** **US D964,529 S**
Bowser, Jr. (45) **Date of Patent:** **** Sep. 20, 2022**

(54) **COKE OVEN CORBEL GAS OFFTAKE MODULE COMPONENT**

(71) Applicant: **FOSBEL, INC.**, Brook Park, OH (US)

(72) Inventor: **Alan E. Bowser, Jr.**, Brook Park, OH (US)

(73) Assignee: **FOSBEL, INC.**, Brook Park, OH (US)

(**) Term: **15 Years**

(21) Appl. No.: **29/817,179**

(22) Filed: **Nov. 29, 2021**

Related U.S. Application Data

(62) Division of application No. 29/607,551, filed on Jun. 14, 2017.

(51) **LOC (13) Cl.** **23-03**

(52) **U.S. Cl.**
USPC **D23/329**

(58) **Field of Classification Search**
USPC D23/422, 398, 343, 344, 345, 347, 329, D23/314, 322, 499; D15/144, 144.1, D15/144.2, 123, 131; D25/102, 113, 114, D25/115, 116, 117, 118
CPC C10B 5/12; C10B 29/02; C10B 29/06; C10B 3/00; C10B 1/00; C10B 15/00; F27D 1/04; F27D 1/063; F27B 13/08; F27B 13/10; F27B 13/06
See application file for complete search history.

(56) **References Cited**

U.S. PATENT DOCUMENTS

1,433,450 A 10/1922 Greiger
1,782,638 A * 11/1930 Totzek C10B 29/02
52/566

1,957,820 A 5/1934 Crysler
2,006,910 A 7/1935 Brooks
2,474,301 A 6/1949 Blaha
2,908,157 A 10/1959 Bliss et al.
5,168,036 A 12/1992 Doby, Jr.
5,916,471 A 6/1999 Hall
6,066,236 A * 5/2000 Gilroy C10B 29/02
110/336
10,253,980 B2 * 4/2019 Bowser, Jr. F27D 1/04
10,927,302 B2 * 2/2021 Bowser, Jr. C10B 29/02
2016/0281983 A1 9/2016 Bowser, Jr.

* cited by examiner

Primary Examiner — Ania Aman

(74) *Attorney, Agent, or Firm* — Nixon & Vanderhye P.C.

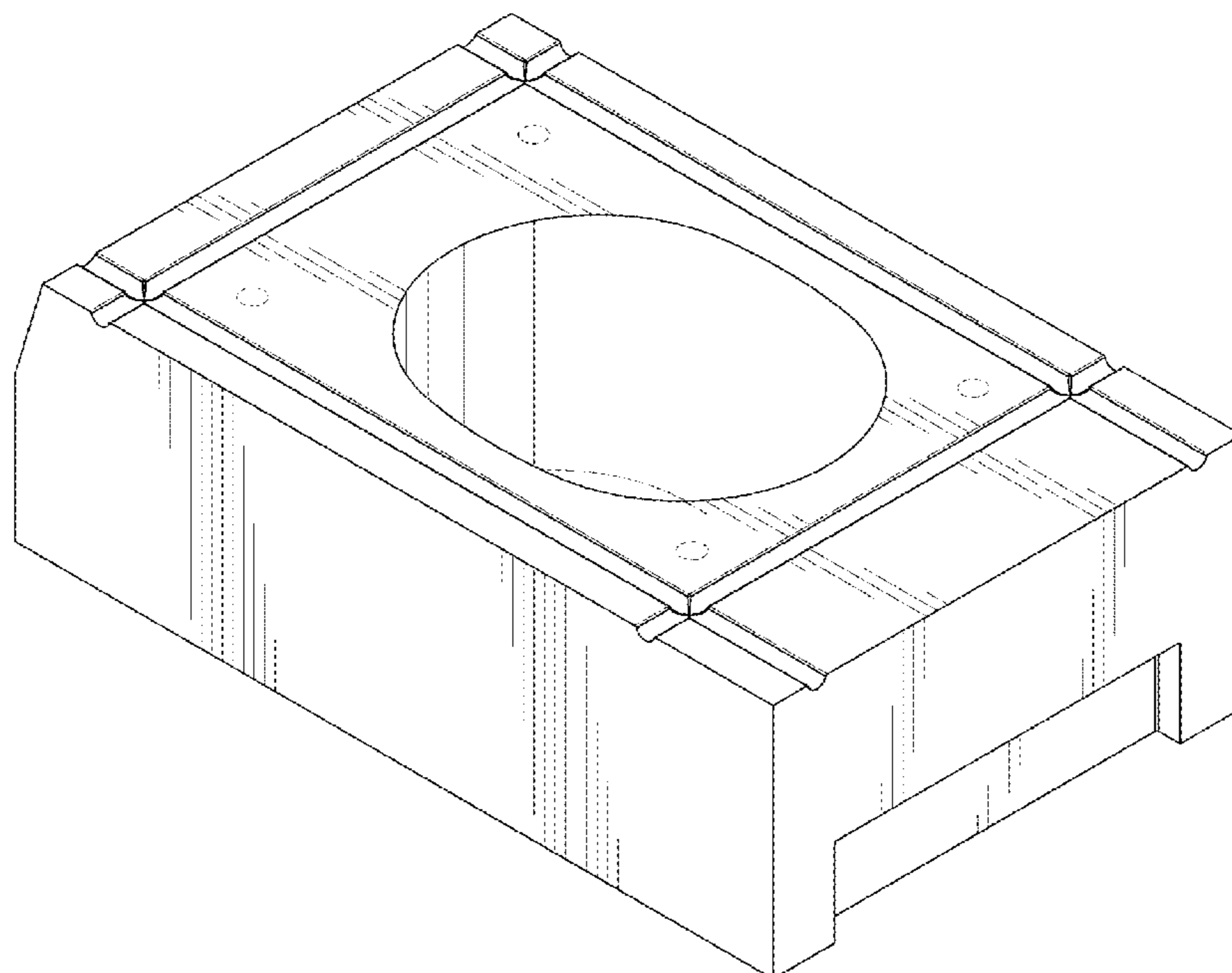
(57) **CLAIM**

The ornamental designs for a “coke oven corbel gas offtake module component”, as shown and described.

DESCRIPTION

FIG. 1 depicts a to left rear perspective view of a coke oven corbel gas offtake module component which embodies my new and original design therefore, wherein
FIG. 2 is a right rear perspective view of thereof;
FIG. 3 is a right front perspective view thereof;
FIG. 4 is a left front perspective view thereof;
FIG. 5 is a rear end elevational view thereof;
FIG. 6 is a front end elevation view thereof;
FIG. 7 is a top plan view thereof;
FIG. 8 is a bottom plan view thereof;
FIG. 9 is a left side elevation view thereof; and,
FIG. 10 is a right side elevation view thereof.
The broken lines appearing in FIGS. 1-4 and 7-8 illustrate portions of the “coke oven corbel gas offtake module component” that form no part of the claimed design.

1 Claim, 8 Drawing Sheets



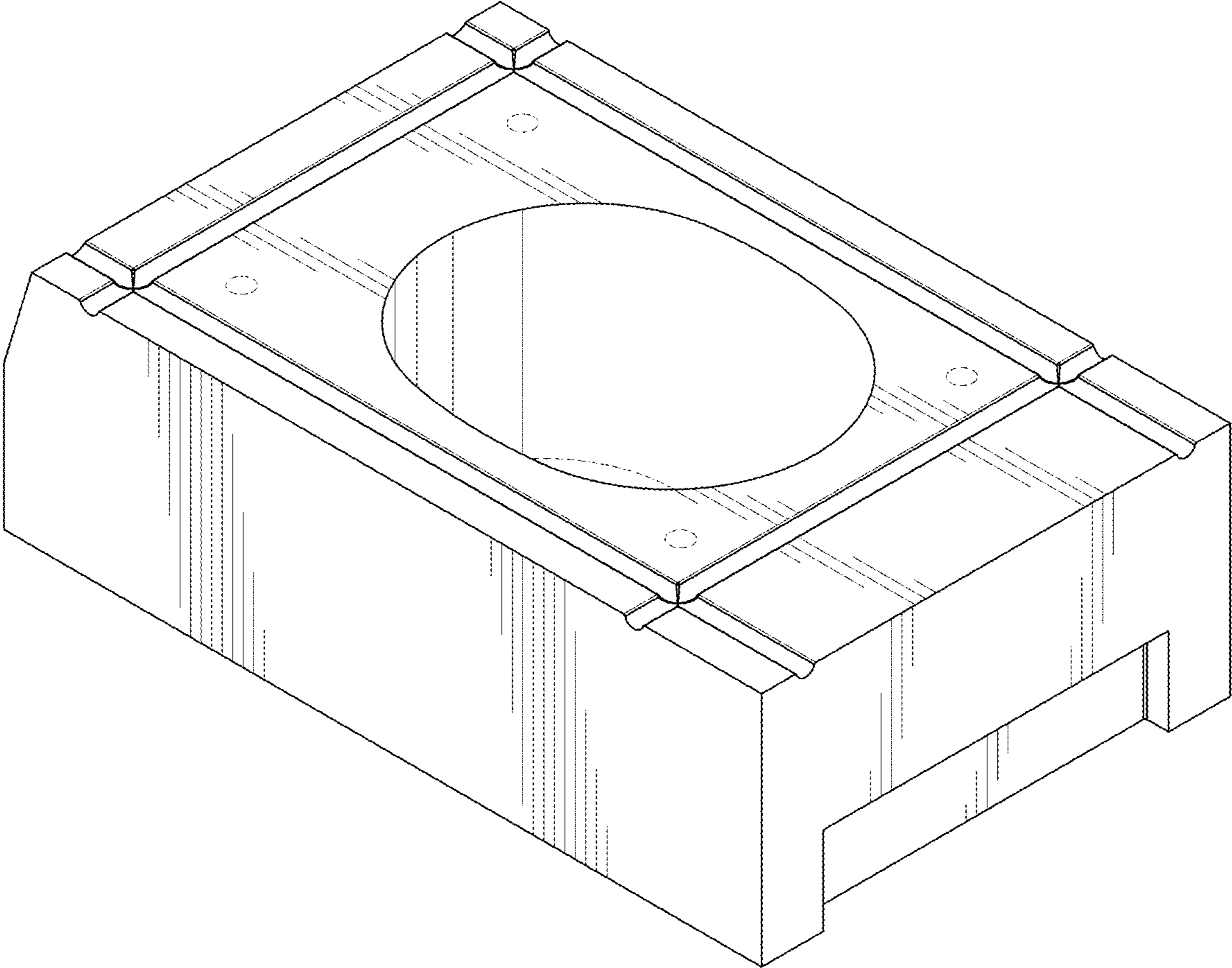


Fig. 1

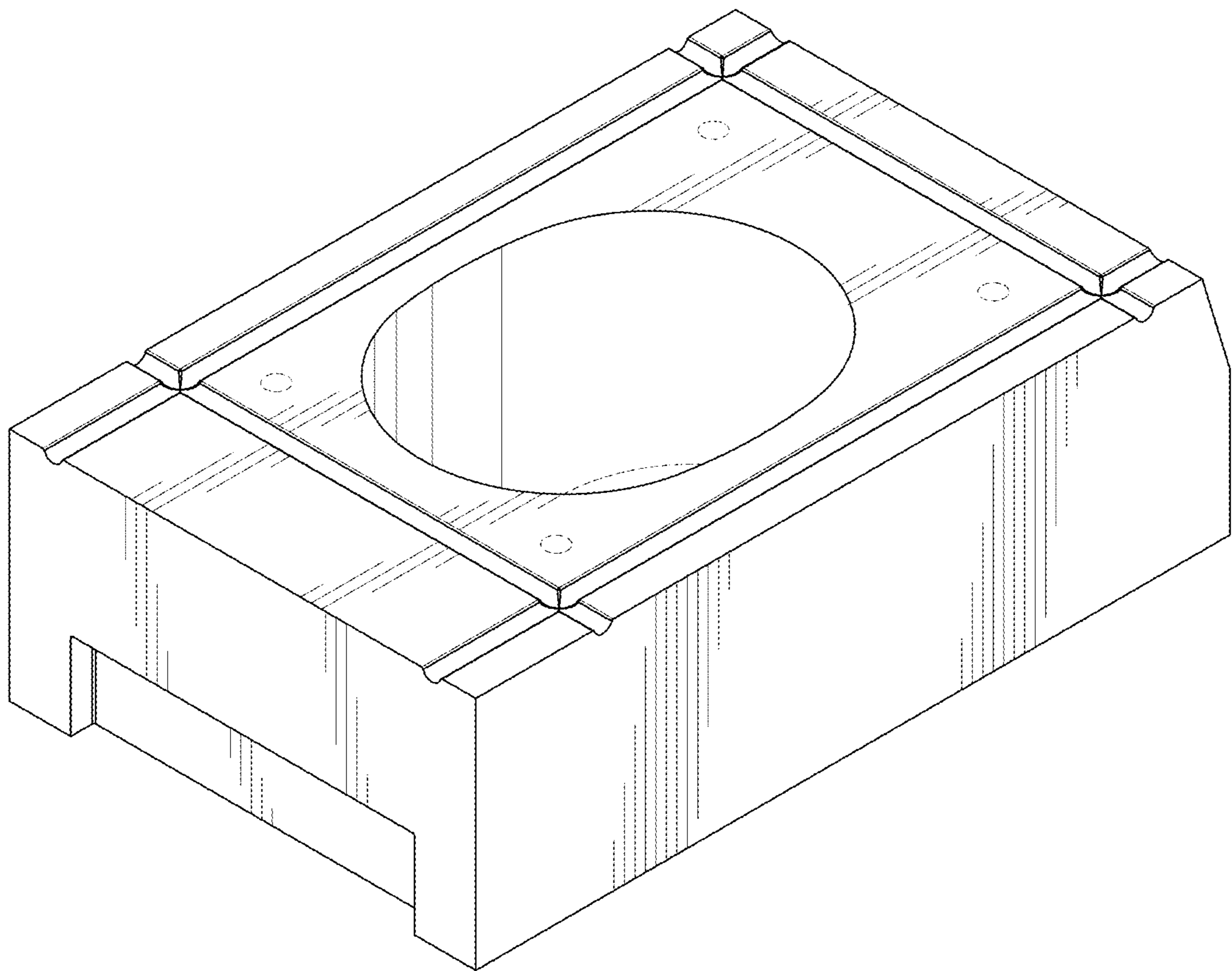


Fig. 2

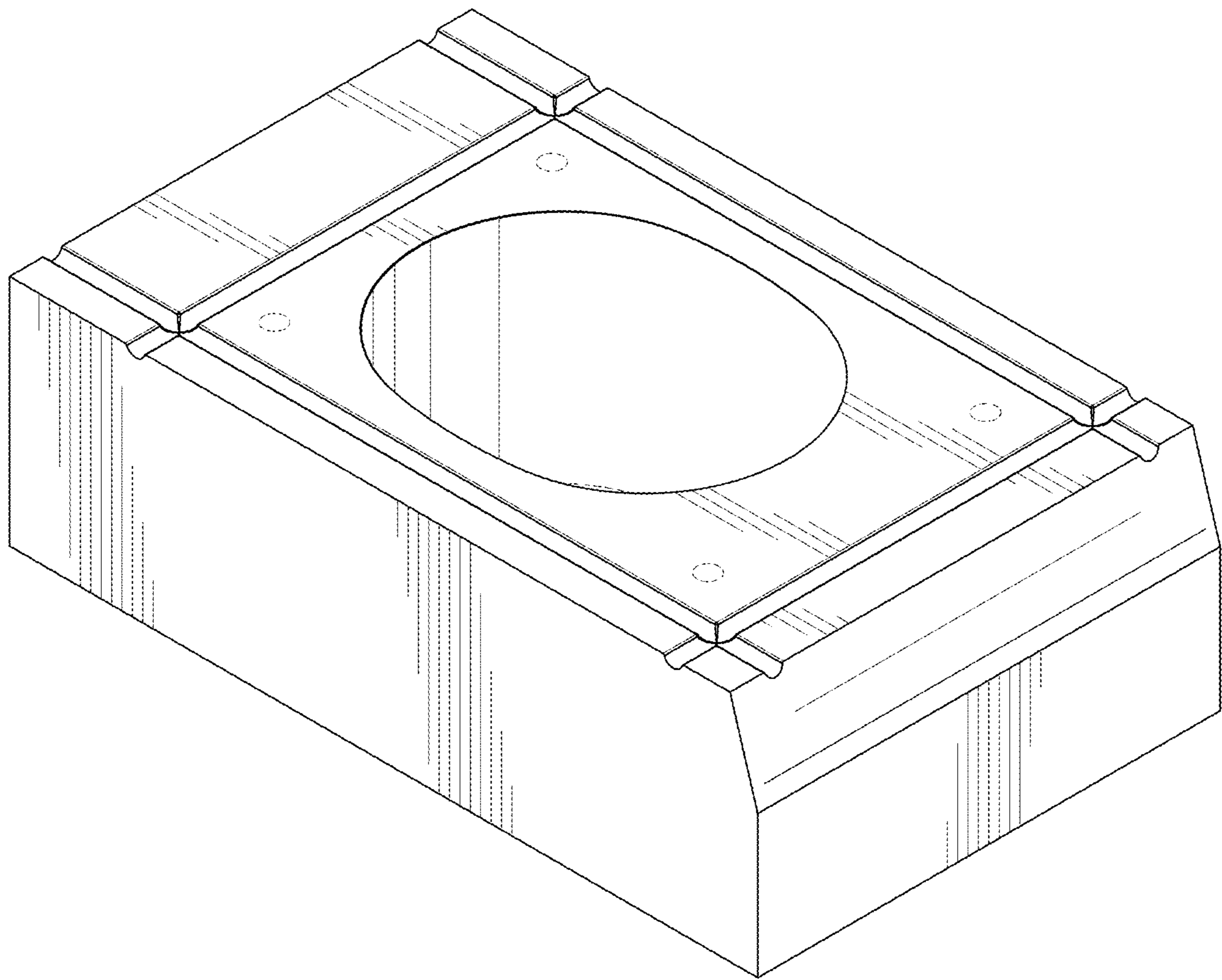


Fig. 3

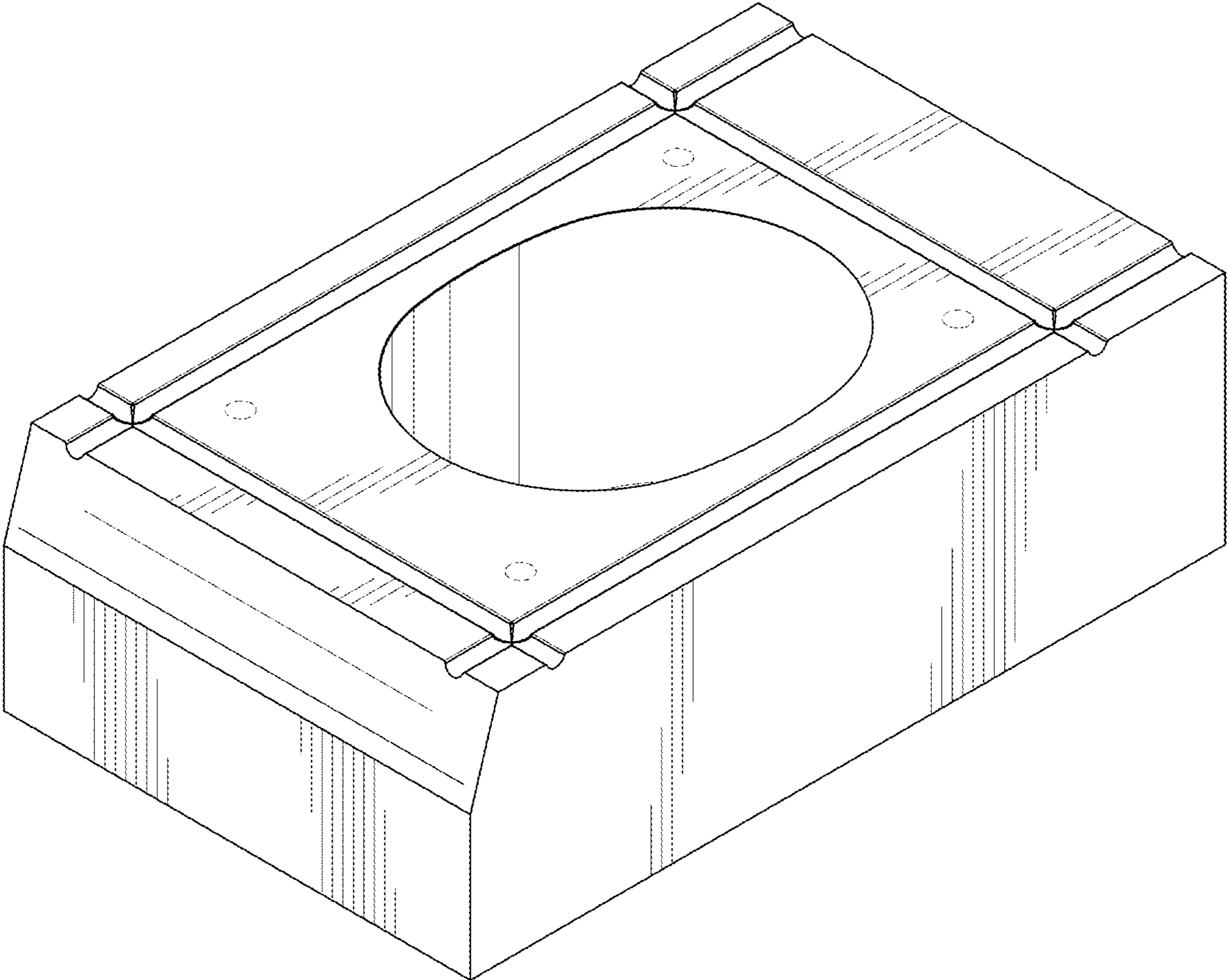


Fig. 4

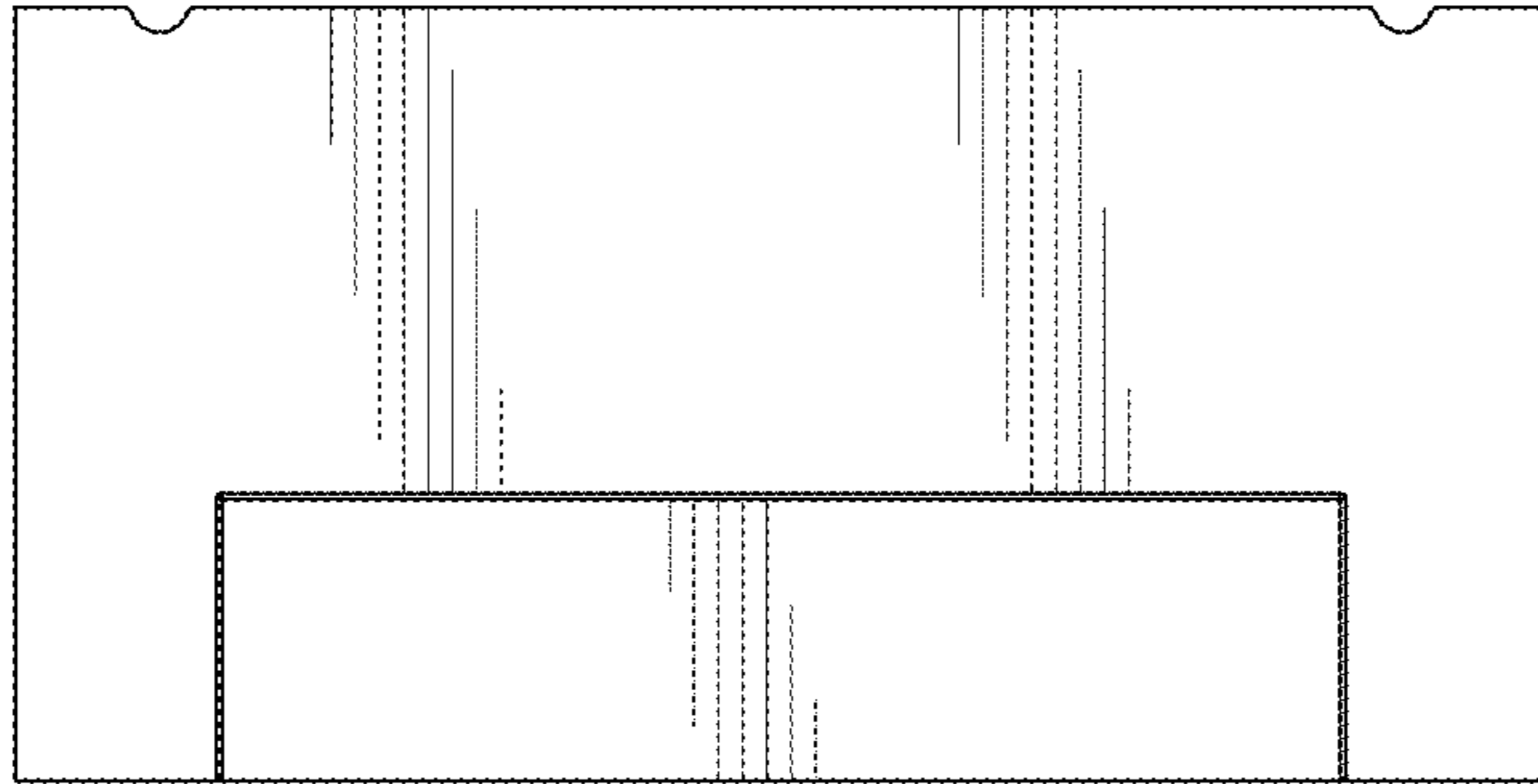


Fig. 5

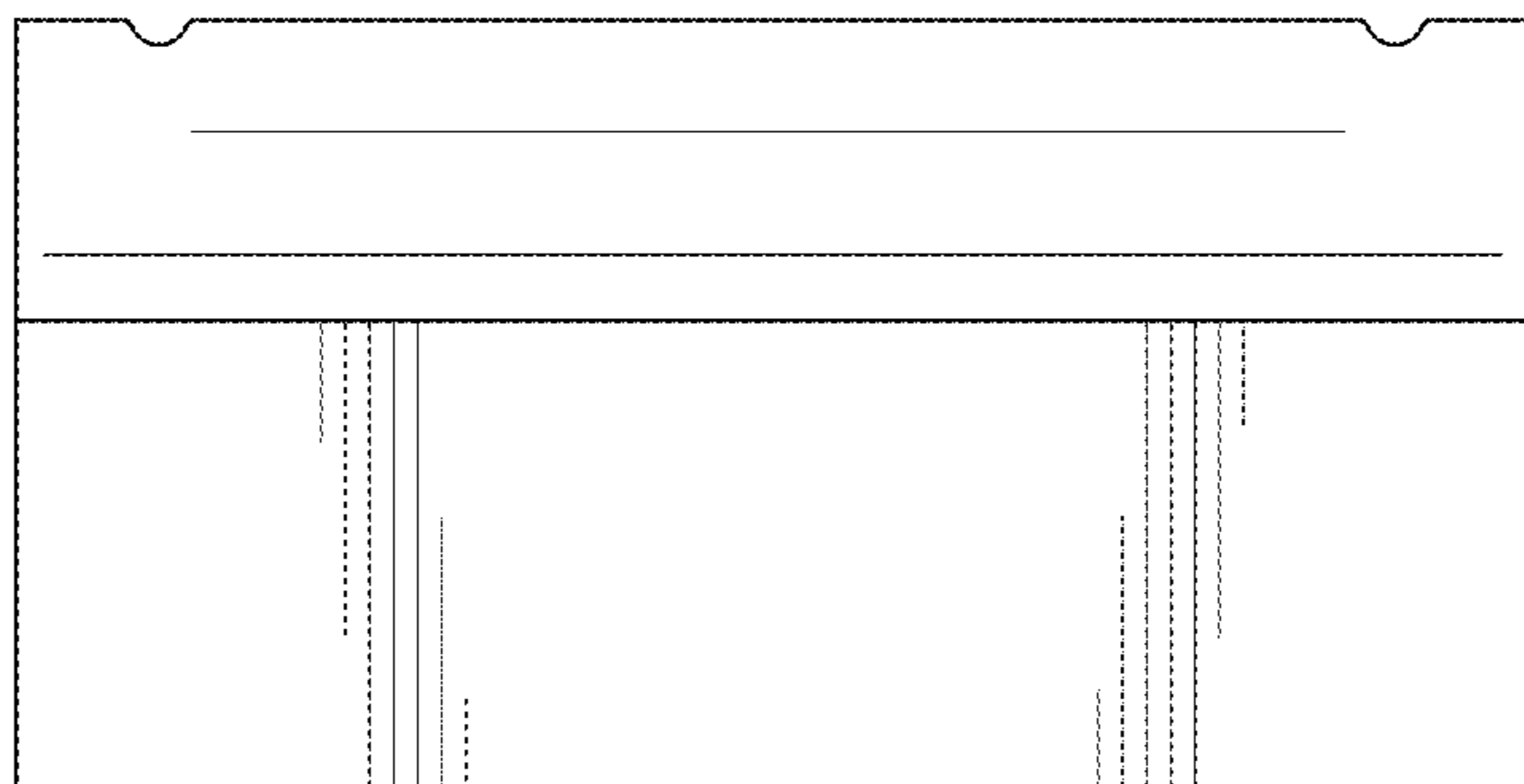


Fig. 6

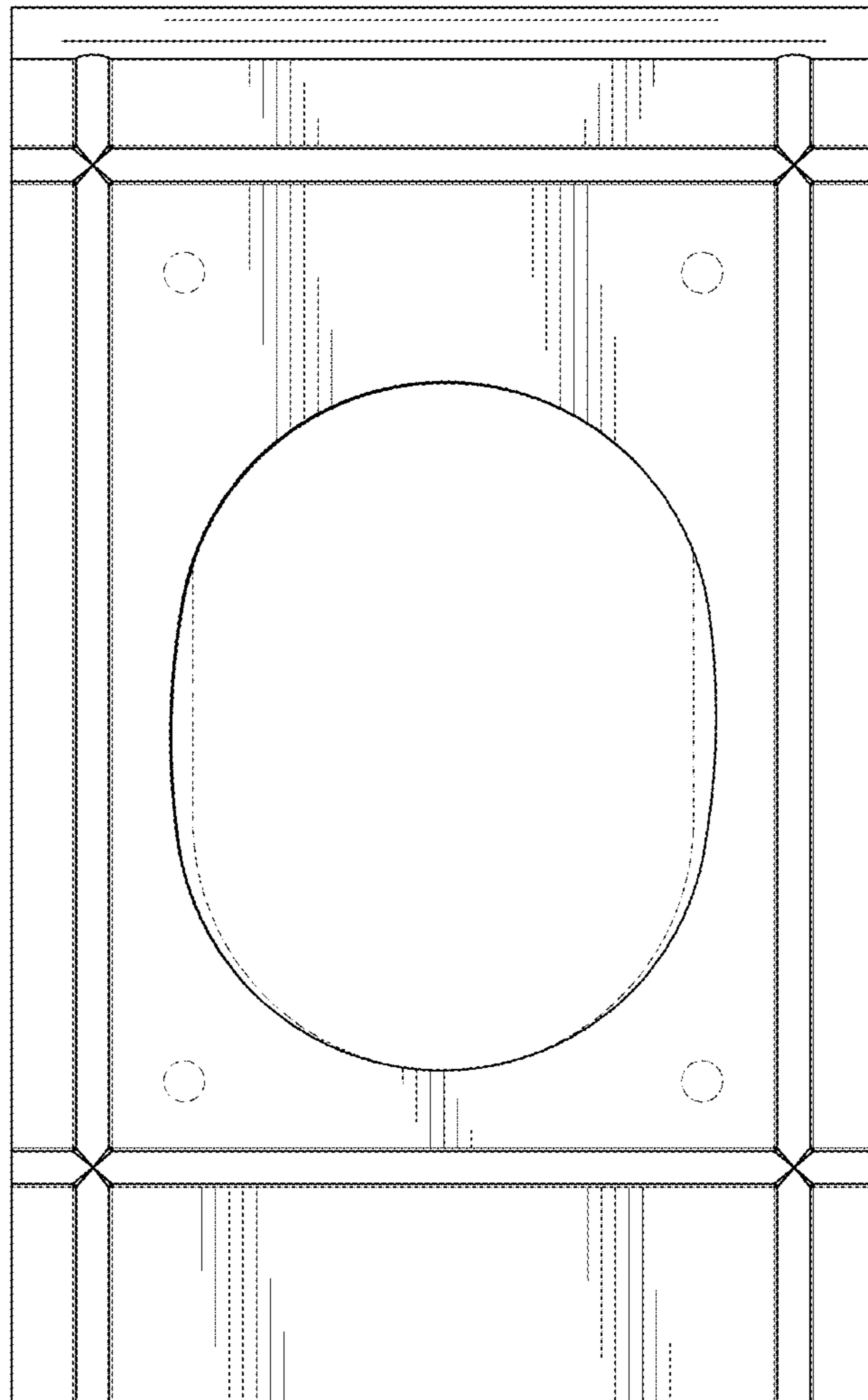


Fig. 7

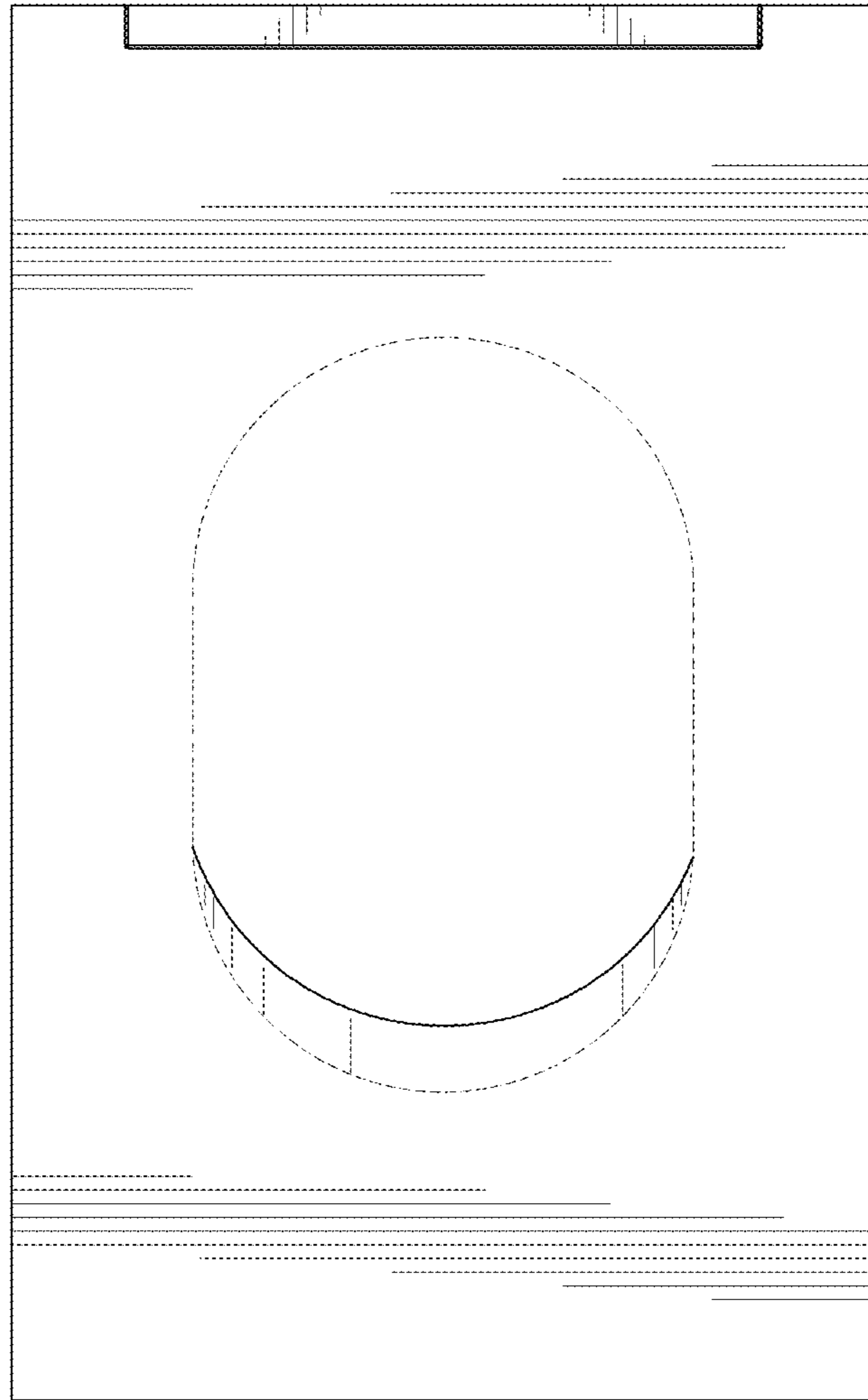


Fig. 8

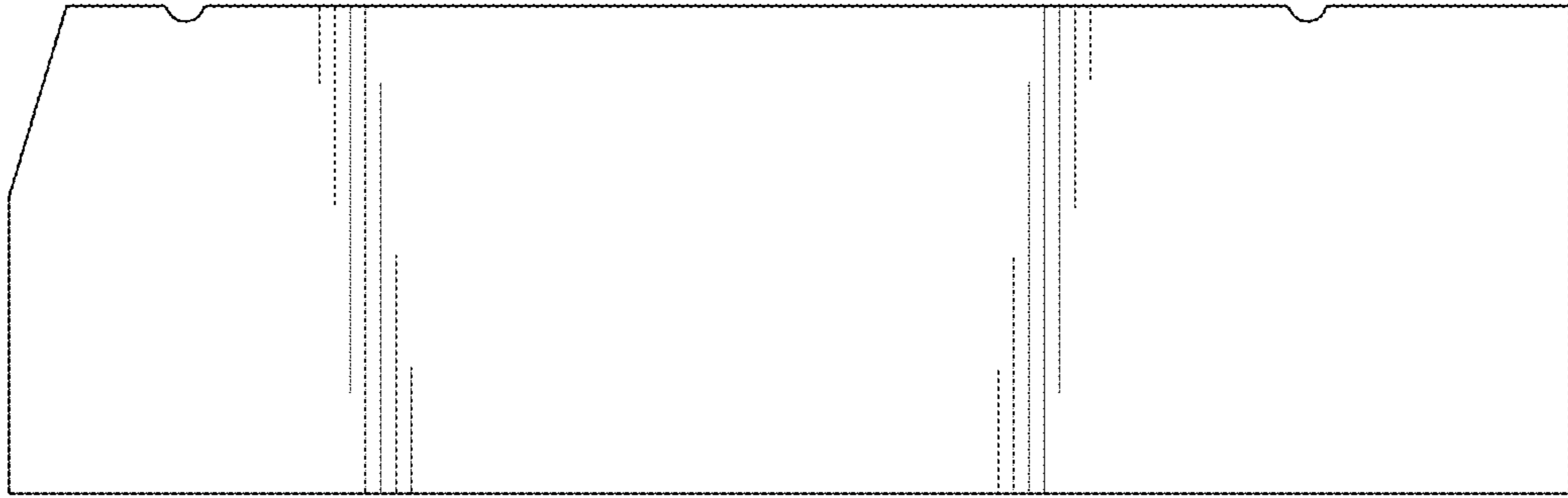


Fig. 9



Fig. 10