



US00D964528S

(12) **United States Design Patent**
Rejkowski et al.

(10) **Patent No.:** **US D964,528 S**
(45) **Date of Patent:** **** Sep. 20, 2022**

(54) **VEHICLE HEATING AND COOLING
SYSTEM ACCESSORY COVER**

(71) Applicants: **Michael W Rejkowski**, Carrollton, TX
(US); **Stephen J Sexton**, McKinney,
TX (US)

(72) Inventors: **Michael W Rejkowski**, Carrollton, TX
(US); **Stephen J Sexton**, McKinney,
TX (US)

(73) Assignee: **CLASSIC AUTO AIR
MANUFACTURING LP**, Chagrin
Falls, OH (US)

(**) Term: **15 Years**

(21) Appl. No.: **29/655,790**

(22) Filed: **Jul. 6, 2018**

(51) **LOC (13) Cl.** **12-16**

(52) **U.S. Cl.**
USPC **D23/324**

(58) **Field of Classification Search**
USPC D23/324, 325, 326, 327
CPC B60H 1/00521; B60H 1/00295; B60H
1/00414; B60H 1/00271; B60H 1/00907
See application file for complete search history.

(56) **References Cited**

U.S. PATENT DOCUMENTS

D208,405 S	*	8/1967	Dixon	D23/325
D214,791 S	*	7/1969	Dixon	D23/325
D216,023 S	*	11/1969	Dixon	D23/325
D221,550 S	*	8/1971	Dixon	D23/325
D233,039 S	*	10/1974	Dixon	D23/325

(Continued)

Primary Examiner — Ania Aman

(57) **CLAIM**

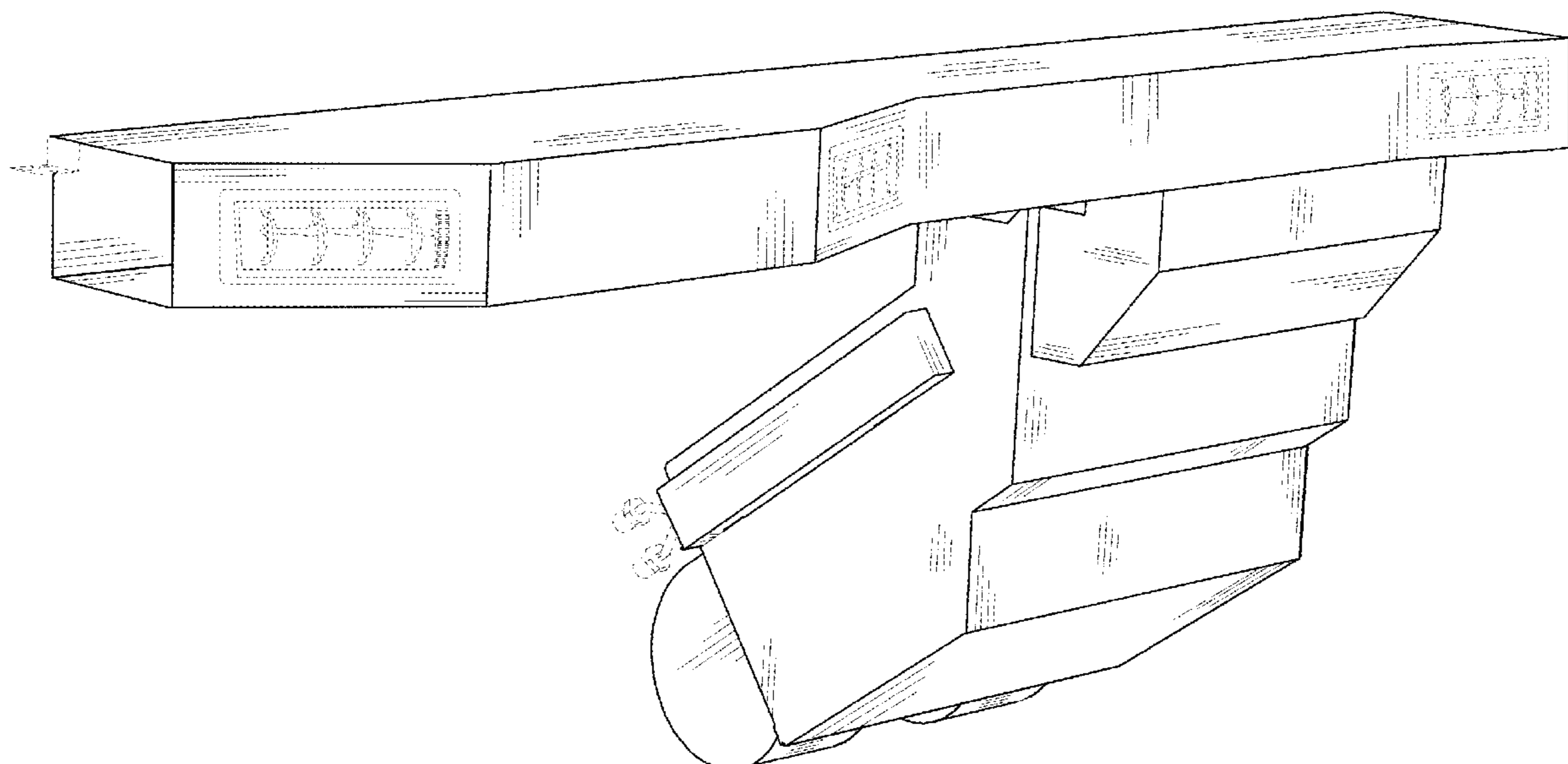
The ornamental design for a vehicle heating and cooling system accessory cover, as shown and described.

DESCRIPTION

FIG. 1 is a perspective front view of a vehicle heating and cooling system accessory cover showing our new design, and shown installed within the environment of a vehicle; FIG. 2 is a front right side perspective view of the a vehicle heating and cooling system accessory cover of FIG. 1; FIG. 3 is a front elevation view of the vehicle heating and cooling system accessory cover of FIG. 1; FIG. 4 is a top plan view of the vehicle heating and cooling system accessory cover of FIG. 1; FIG. 5 is a left side elevation view of the vehicle heating and cooling system accessory cover of FIG. 1; FIG. 6 is a right side elevation view of the vehicle heating and cooling system accessory cover of FIG. 1; FIG. 7 is a rear elevation view of the vehicle heating and cooling system accessory cover of FIG. 1; and FIG. 8 is a bottom plan view of the vehicle heating and cooling system accessory cover of FIG. 1; FIG. 9 is a perspective front view of the vehicle heating and cooling system accessory cover; FIG. 10 is a front elevation view of the vehicle heating and cooling system accessory cover of FIG. 9; FIG. 11 is a top plan view of the vehicle heating and cooling system accessory cover of FIG. 9; FIG. 12 is a left side elevation view of the vehicle heating and cooling system accessory cover of FIG. 9; FIG. 13 is a right side elevation view of the vehicle heating and cooling system accessory cover of FIG. 9; FIG. 14 is a rear elevation view of the vehicle heating and cooling system accessory cover of FIG. 9; and, FIG. 15 is a bottom plan view of the vehicle heating and cooling system accessory cover of FIG. 9.

In the drawings, the broken lines depict unclaimed subject matter only and form no part of the claimed design.

1 Claim, 14 Drawing Sheets



(56)

References Cited

U.S. PATENT DOCUMENTS

3,918,270 A * 11/1975 Dixon B60H 1/00521
62/239
4,261,930 A * 4/1981 Walker F24F 6/06
261/92
D363,980 S * 11/1995 Roach D23/325
5,669,813 A * 9/1997 Jairazbhoy B60H 1/00271
361/645
D401,313 S * 11/1998 Murakami D23/325
6,267,664 B1 * 7/2001 Vandale B60H 1/00271
454/123
D725,249 S * 3/2015 O'Brien D23/325
2012/0049556 A1 * 3/2012 Barnes B60Q 1/2661
296/19
2019/0054797 A1 * 2/2019 Jiang B60H 1/00407
2020/0215872 A1 * 7/2020 Han B60H 1/00842
2021/0138872 A1 * 5/2021 Gothlin B60H 1/00021

* cited by examiner

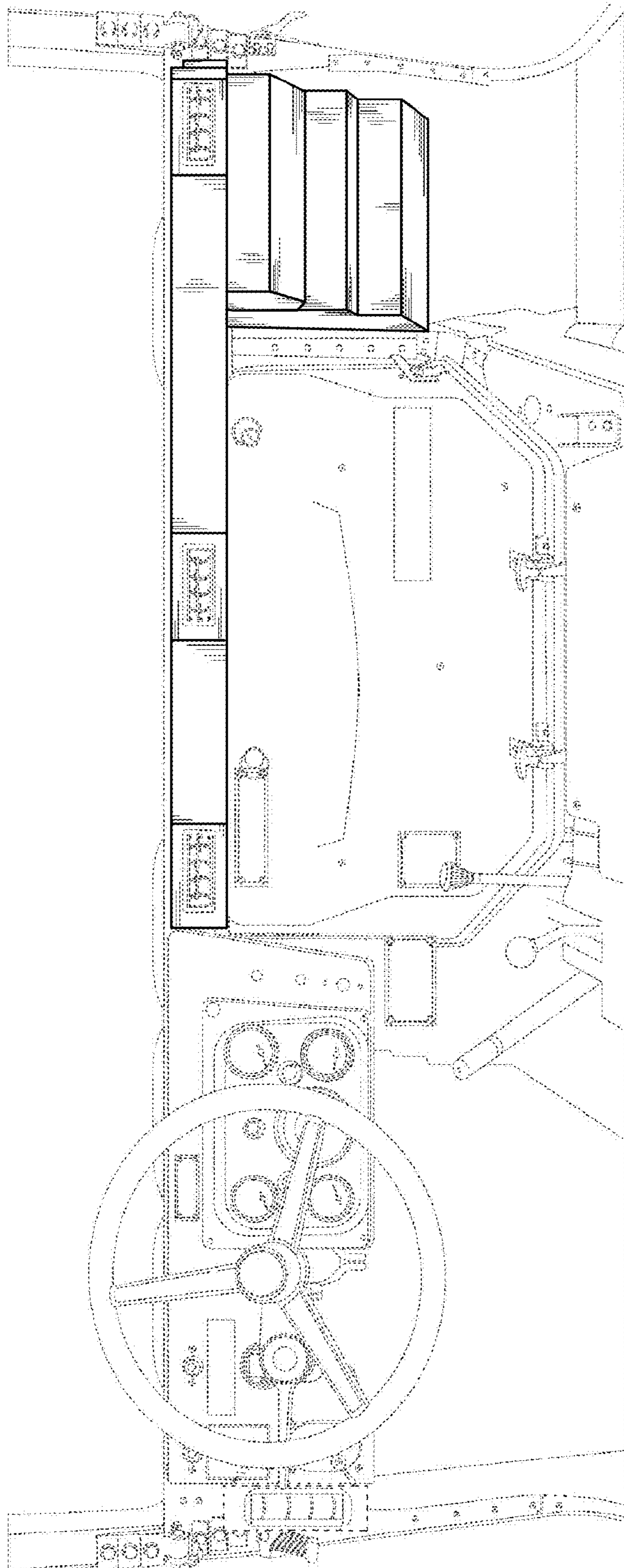


Fig. 1

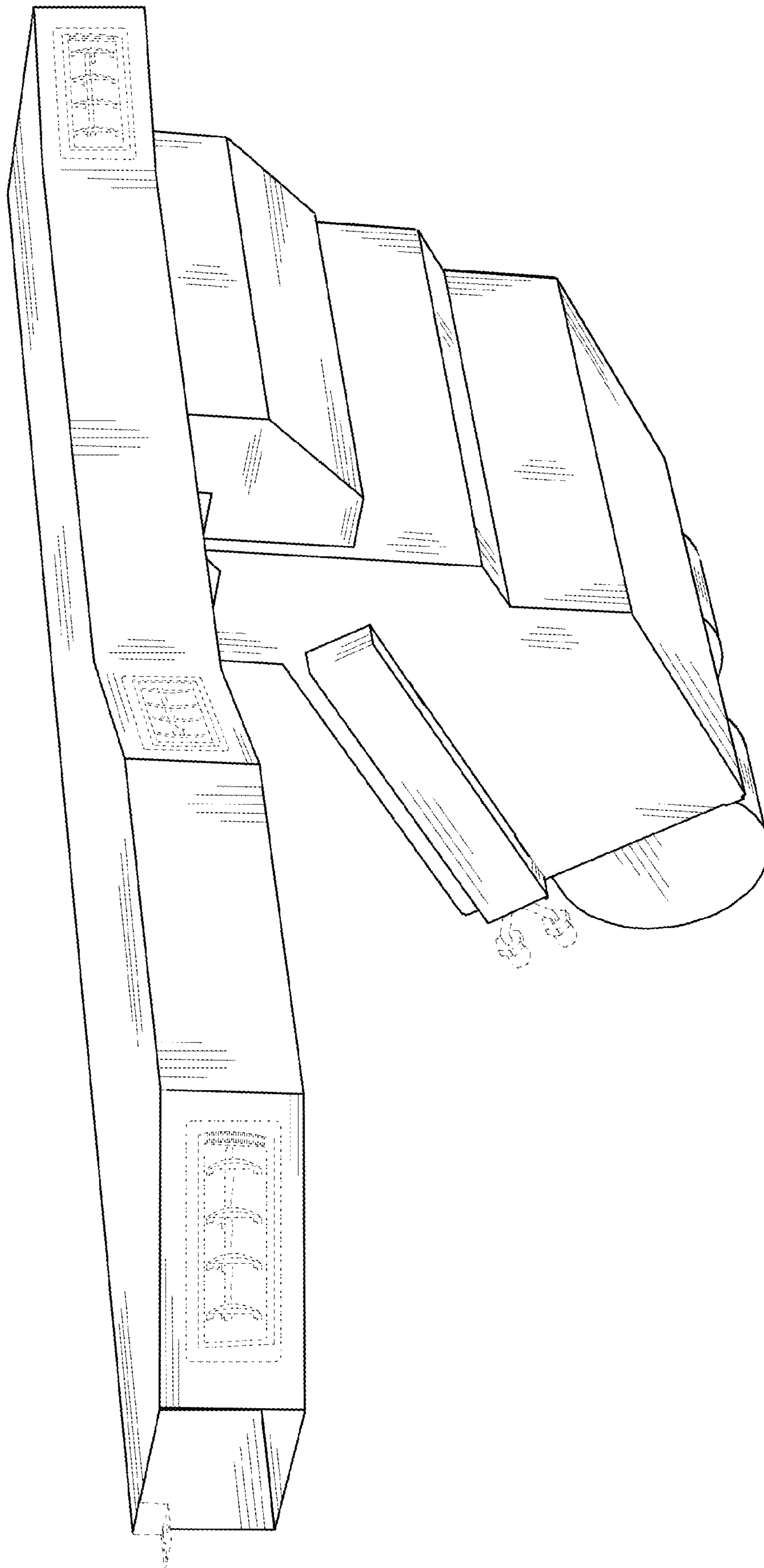


Fig. 2

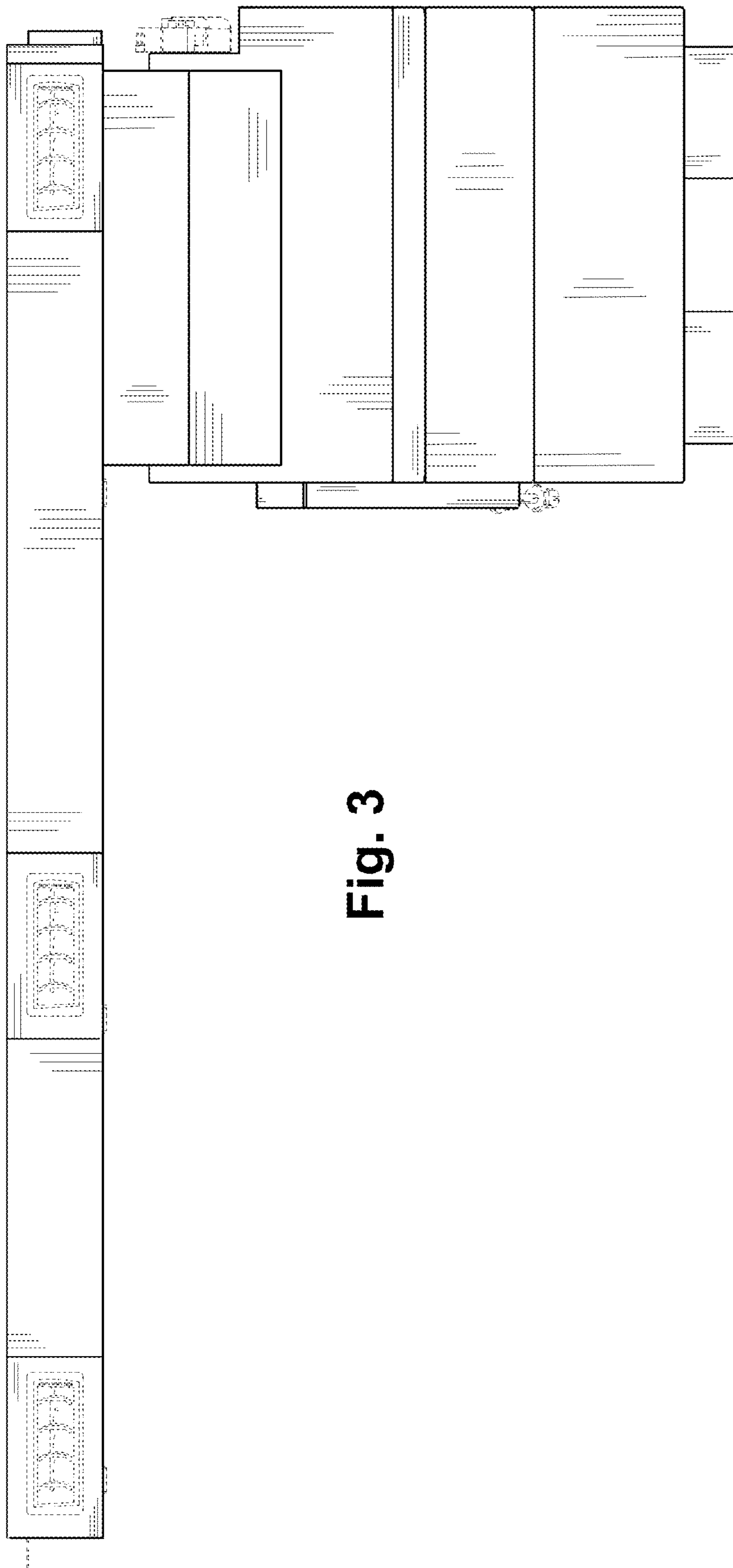


Fig. 3

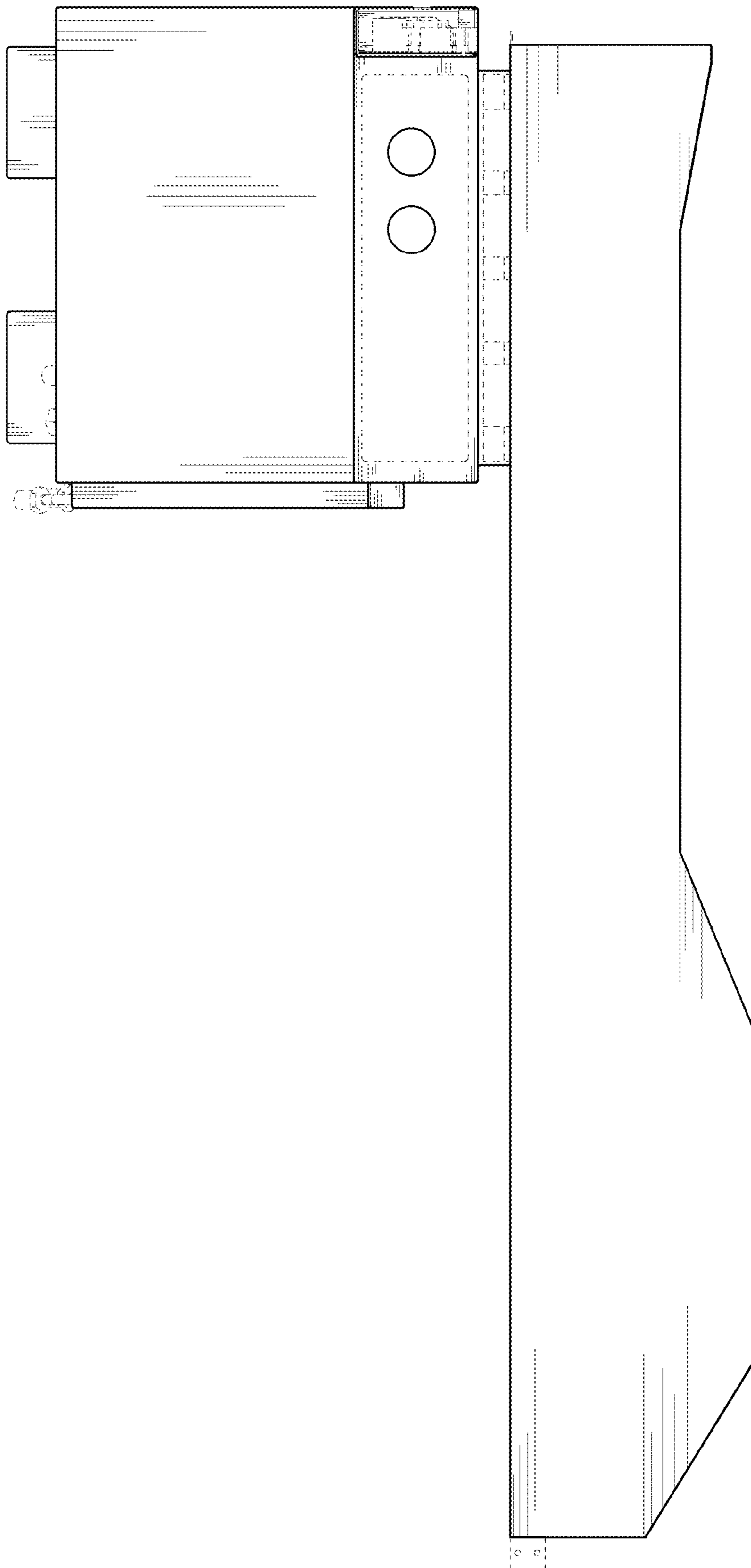


Fig. 4

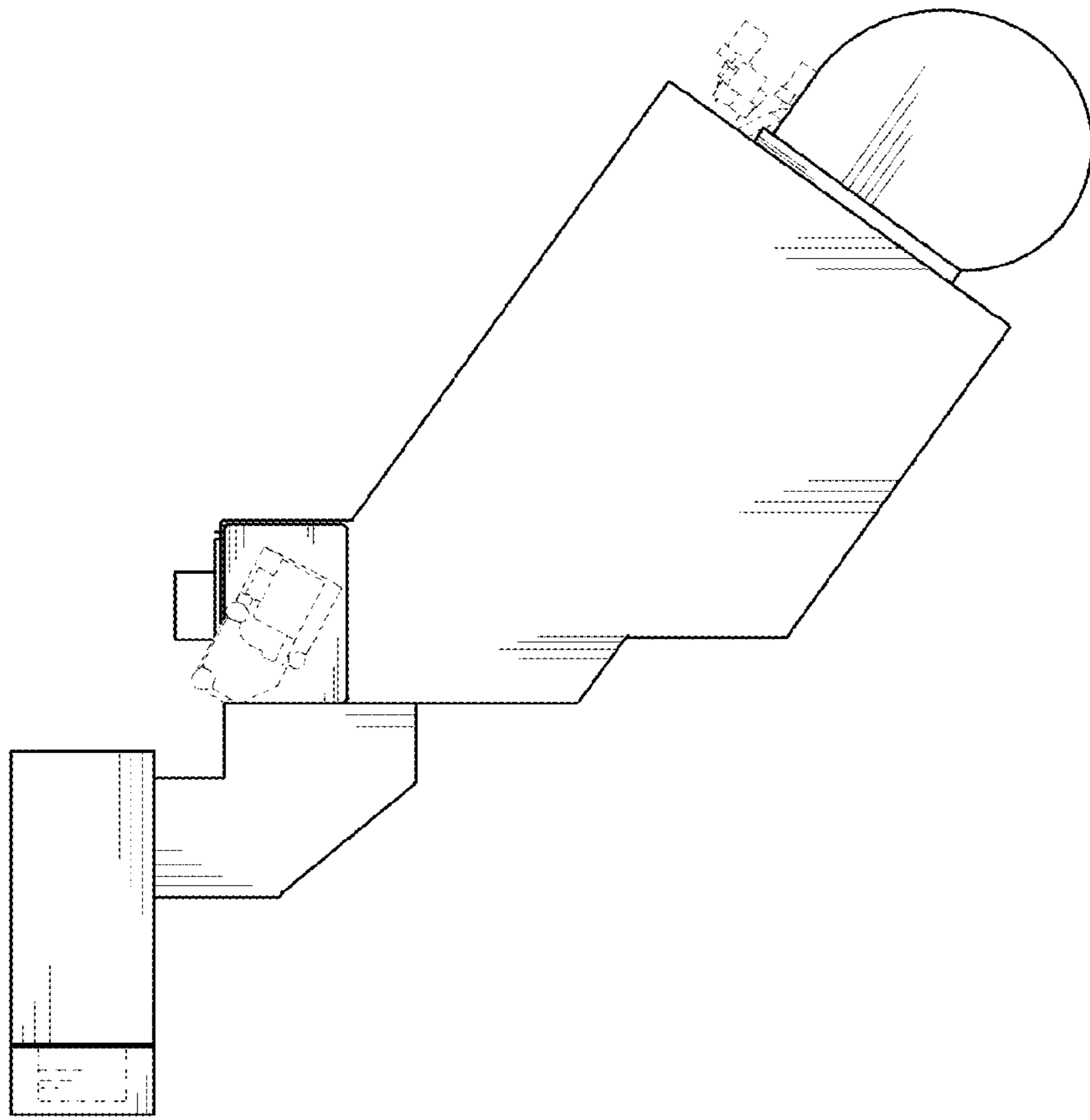


Fig. 5

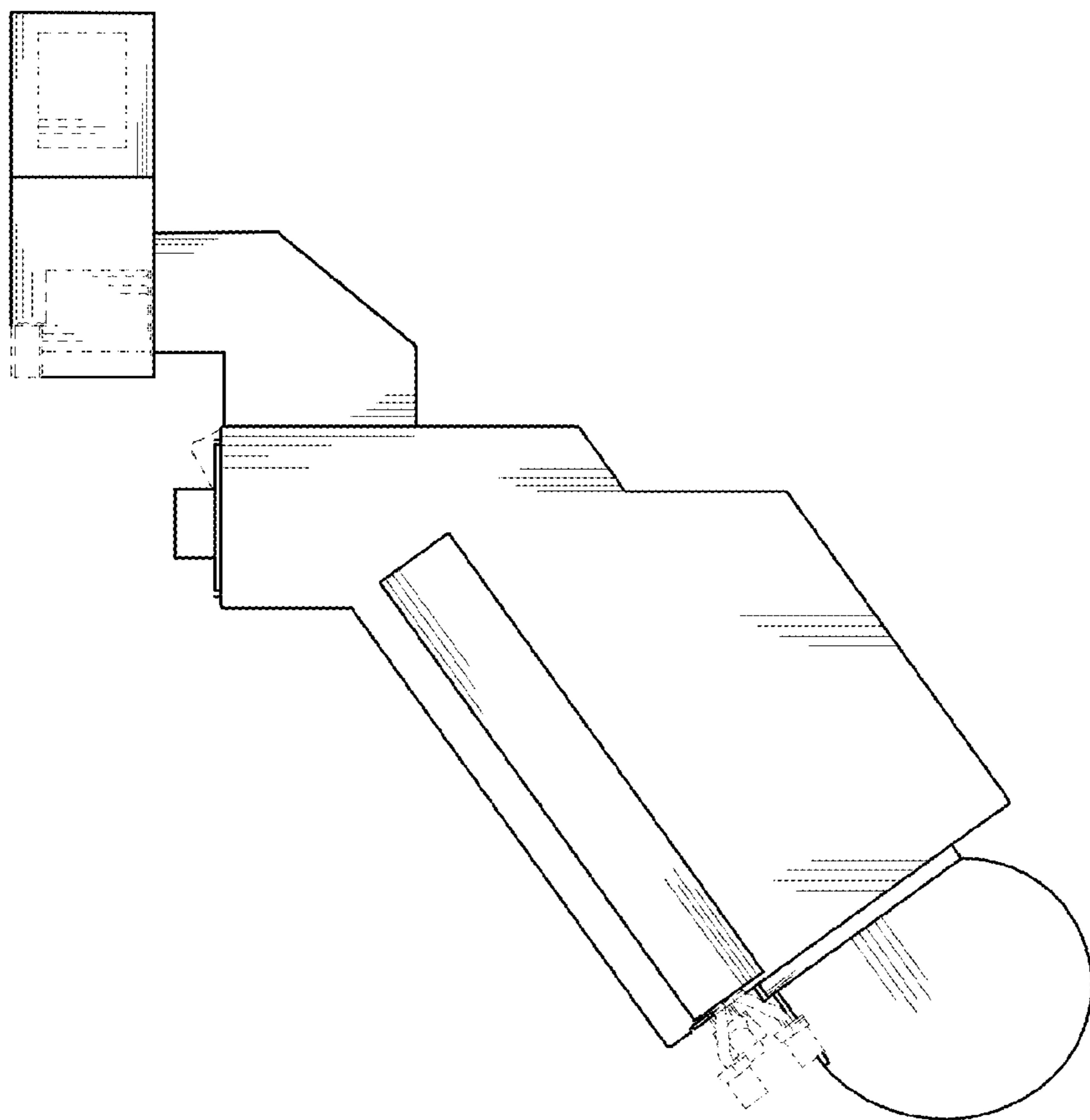


Fig. 6

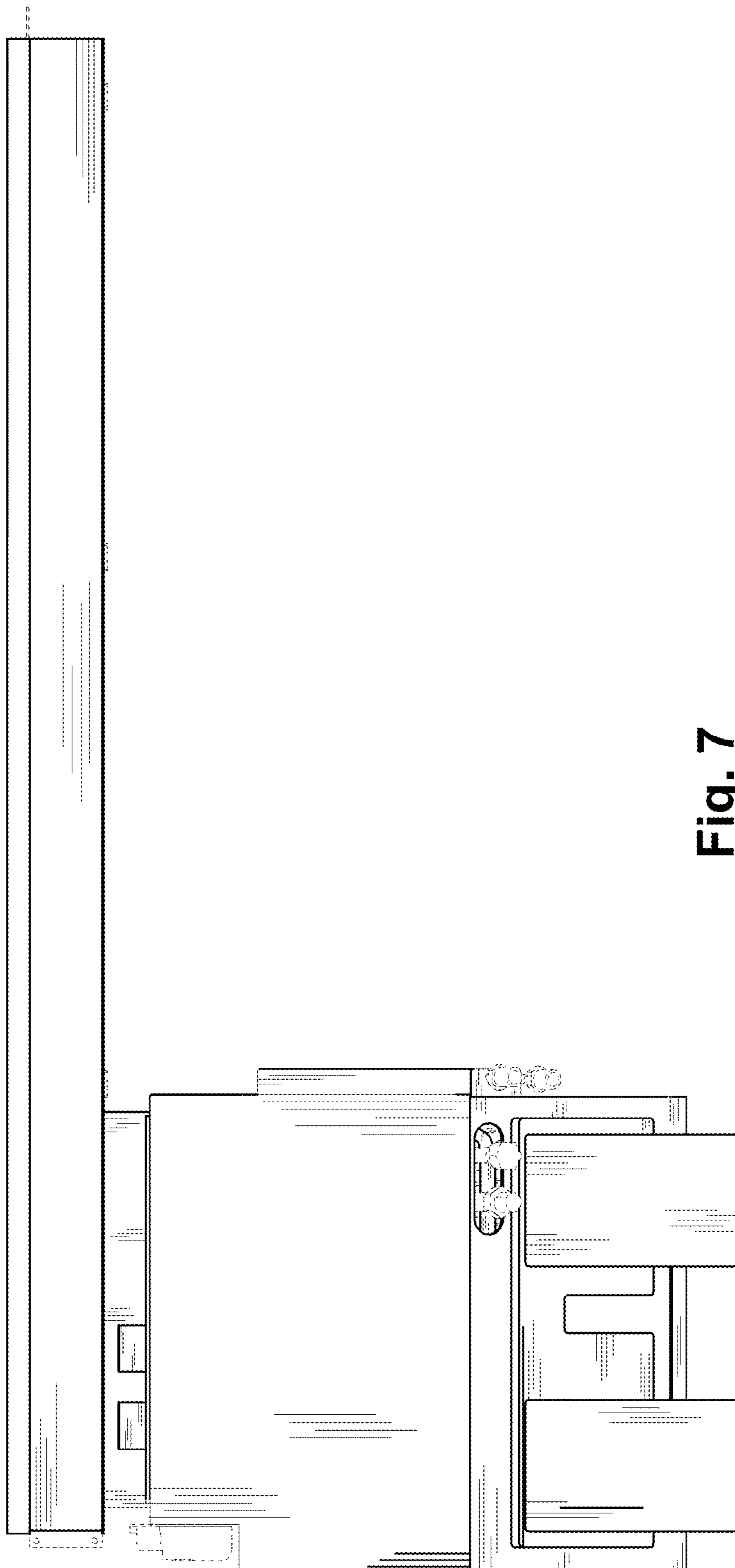


Fig. 7

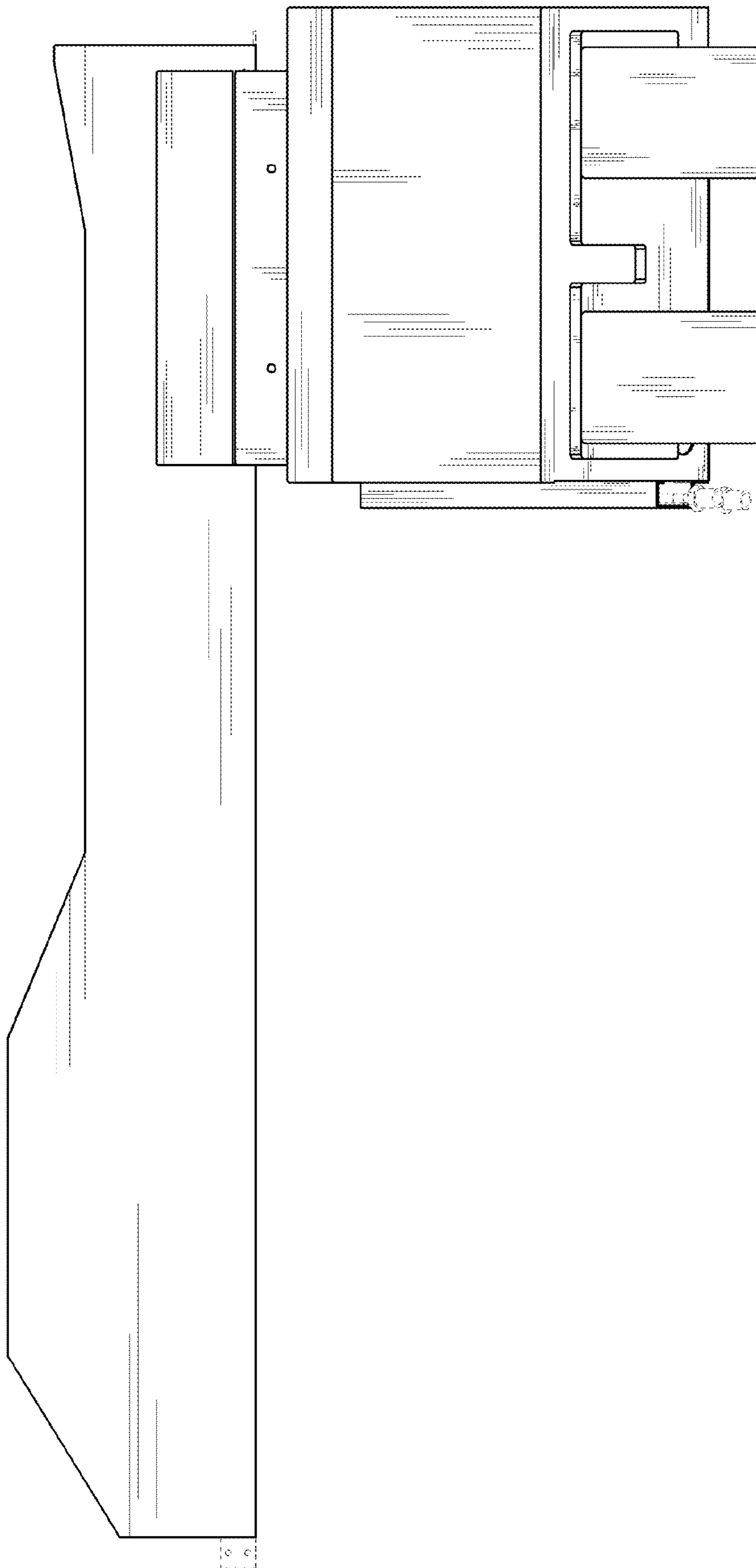


Fig. 8

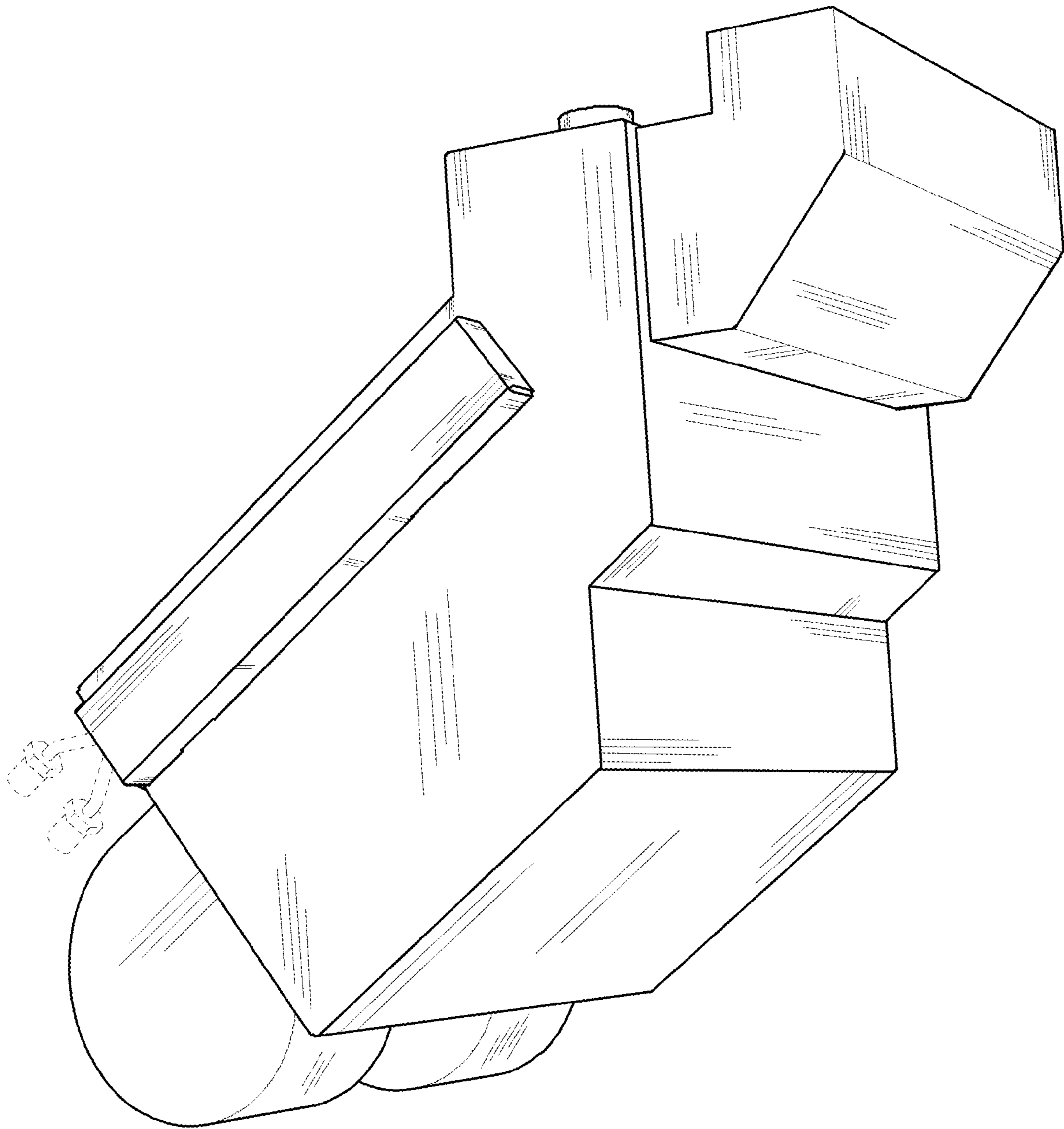


Fig. 9

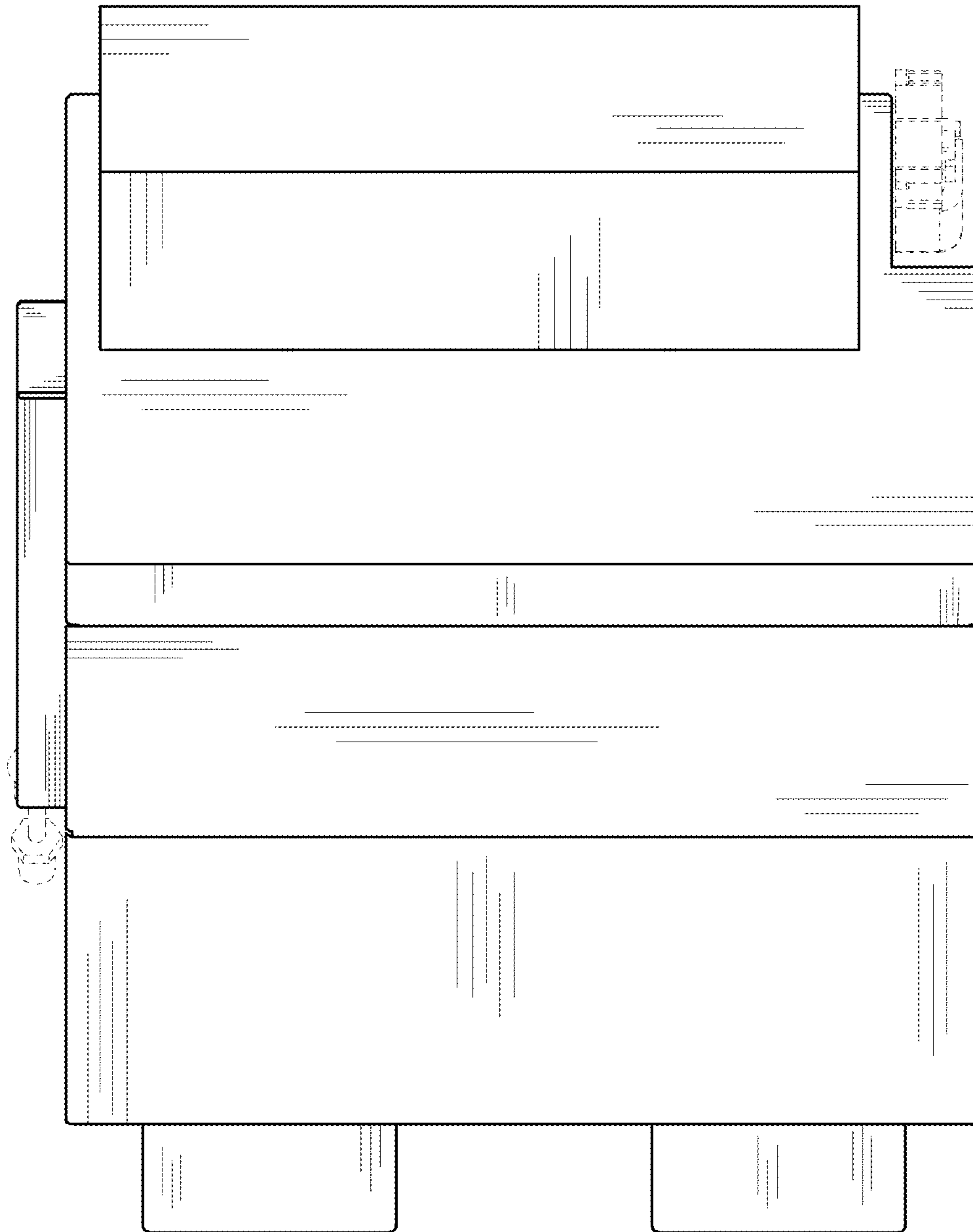


Fig. 10

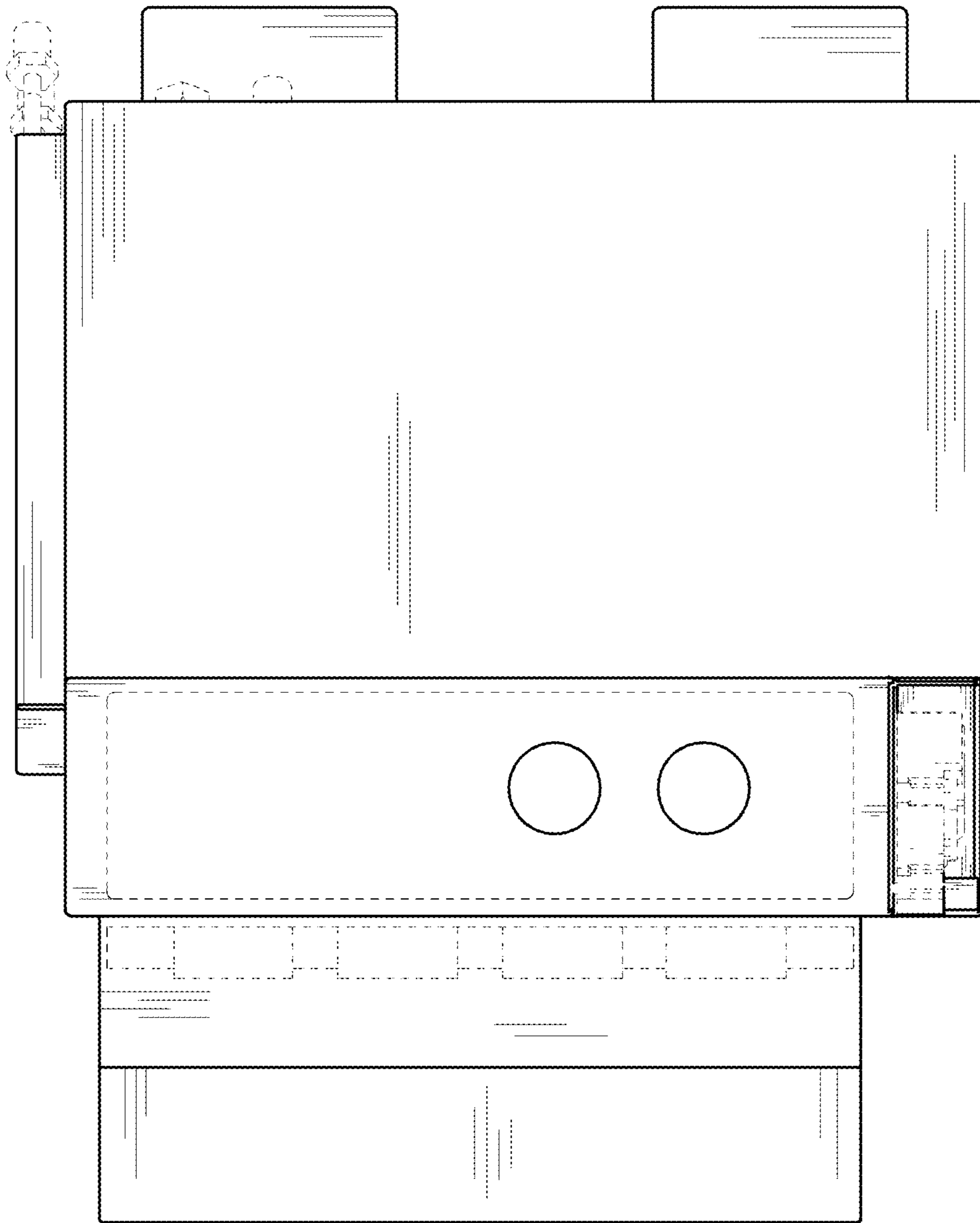


Fig. 11

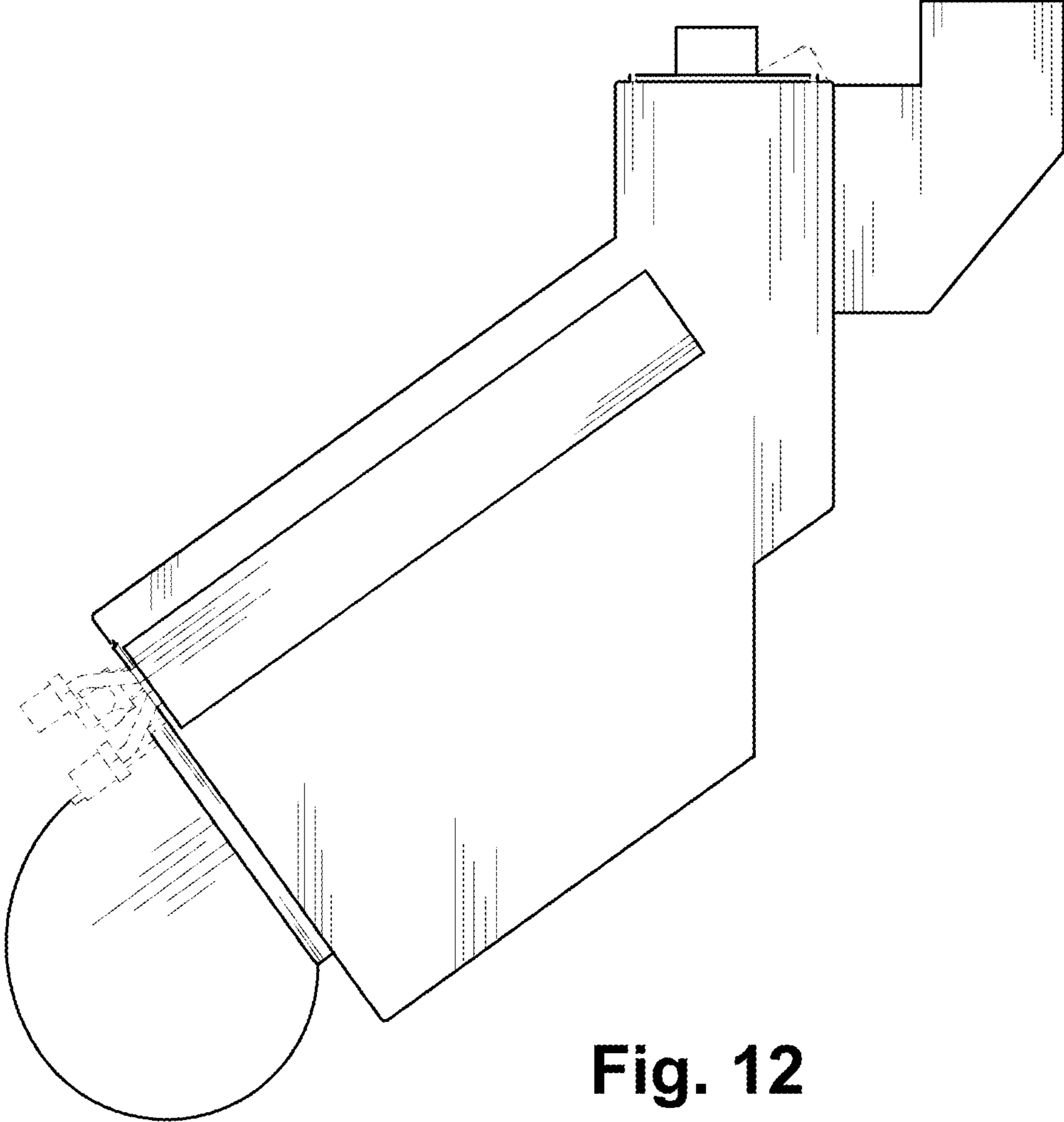


Fig. 12

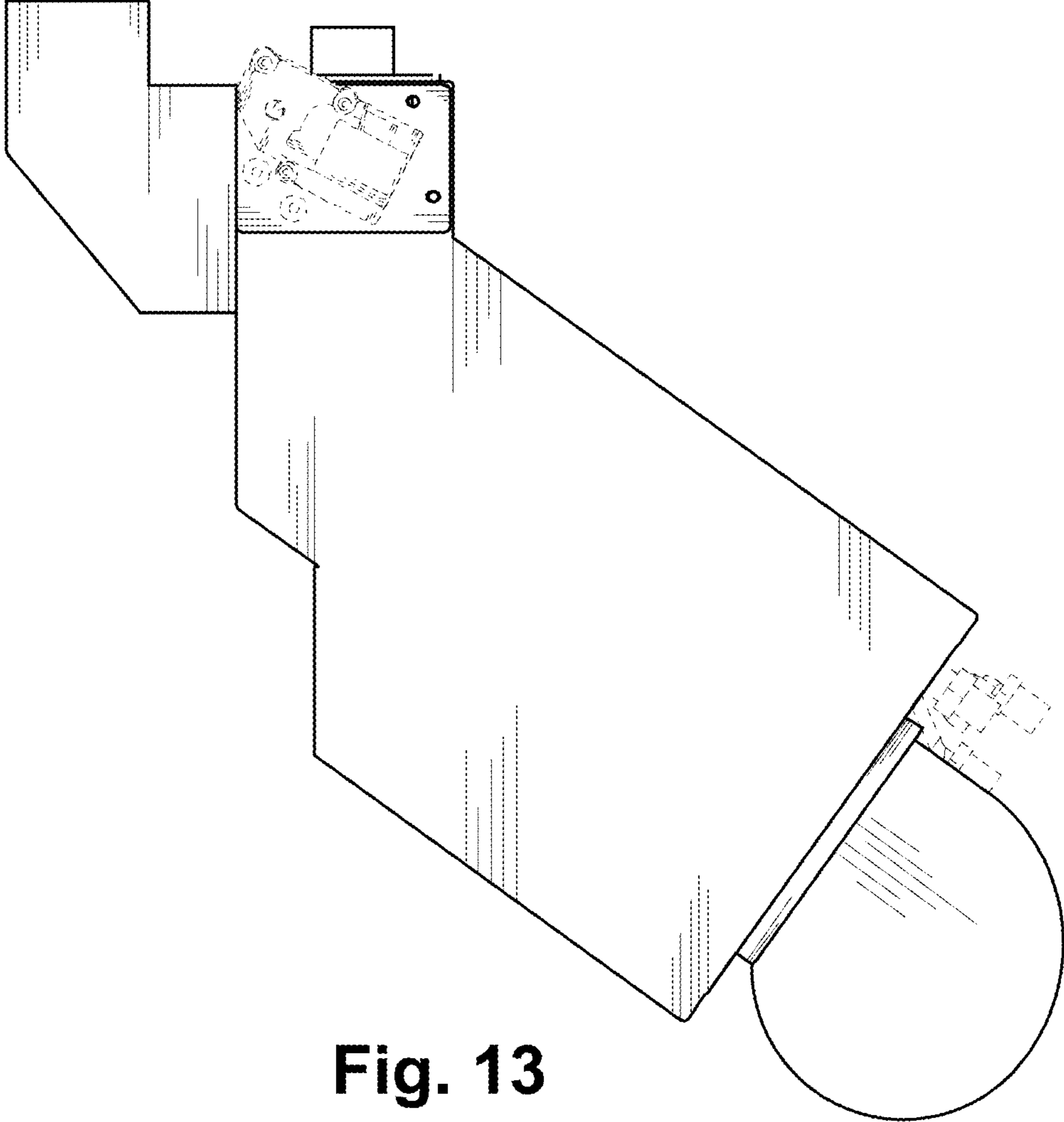


Fig. 13

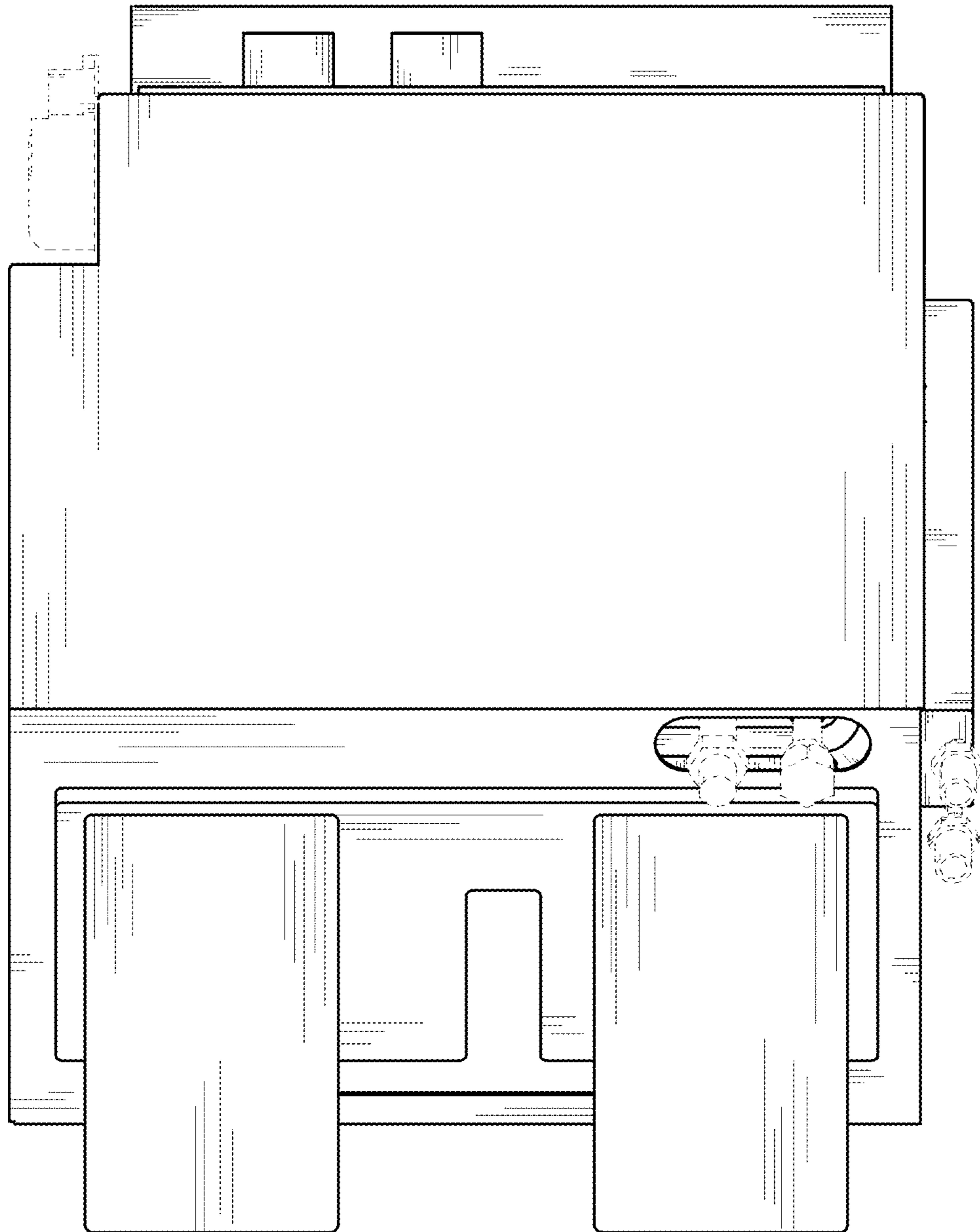


Fig. 14

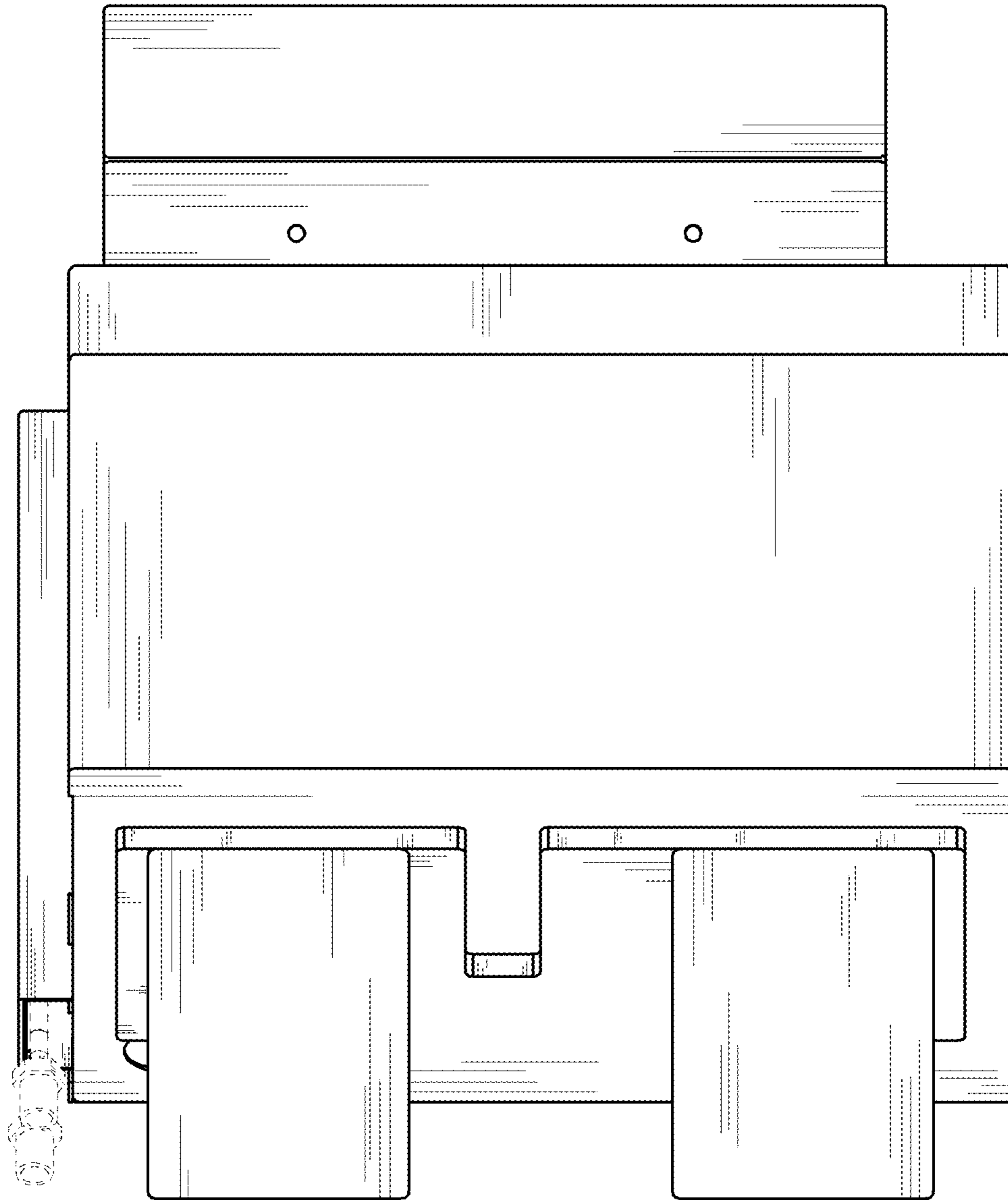


Fig. 15