



US00D964524S

(12) **United States Design Patent**  
**Zhang**

(10) **Patent No.:** **US D964,524 S**

(45) **Date of Patent:** **\*\* Sep. 20, 2022**

(54) **BATHROOM FAUCET**

(71) Applicant: **Kaven Zhang**, Zhongshan (CN)

(72) Inventor: **Kaven Zhang**, Zhongshan (CN)

(\*\*) Term: **15 Years**

(21) Appl. No.: **29/781,548**

(22) Filed: **Apr. 30, 2021**

(51) **LOC (13) Cl.** ..... **23-01**

(52) **U.S. Cl.**  
USPC ..... **D23/255**

(58) **Field of Classification Search**  
USPC ..... D23/238, 241–243, 255, 257  
See application file for complete search history.

(56) **References Cited**

U.S. PATENT DOCUMENTS

D299,161 S *	12/1988	Frattini	.....	D23/255
D310,865 S	9/1990	Strignano		
D310,866 S	9/1990	Strignano		
D314,232 S	1/1991	Strignano		
D356,631 S *	3/1995	Kolada	.....	D23/255
D405,165 S *	2/1999	Kolada	.....	D23/257
D421,642 S *	3/2000	Ko	.....	D23/255
D431,282 S *	9/2000	Lord	.....	D23/238
D461,542 S *	8/2002	Shieh	.....	D23/257
D461,543 S *	8/2002	Mullenmeister	.....	D23/257
D466,982 S *	12/2002	Gerlach	.....	D23/242
D469,518 S *	1/2003	Bates	.....	D23/257
D472,609 S *	4/2003	Marshall	.....	D23/242

D473,928 S *	4/2003	Lord	.....	D23/238
D488,540 S *	4/2004	Ouyoung	.....	D23/255
D517,659 S *	3/2006	Ouyoung	.....	D23/255
D517,663 S *	3/2006	Wolf	.....	D23/257
D647,180 S *	10/2011	Slothower	.....	D23/257
D680,199 S *	4/2013	Kwok	.....	D23/257
D687,521 S *	8/2013	Flowers	.....	D23/255
D699,818 S *	2/2014	Flowers	.....	D23/255
D704,808 S *	5/2014	Flowers	.....	D23/255
D912,213 S	3/2021	Kuang		
D912,215 S	3/2021	Kuang		
D954,913 S *	6/2022	Upadhyaya	.....	D23/255

\* cited by examiner

*Primary Examiner* — Robert A Delehanty

(74) *Attorney, Agent, or Firm* — Runit Ranjit Kanakia

(57) **CLAIM**

I claim the ornamental design for a bathroom faucet, as shown and described.

**DESCRIPTION**

FIG. 1 is a perspective view of a bathroom faucet showing my new design;

FIG. 2 is a front view thereof;

FIG. 3 is a back view thereof;

FIG. 4 is a left-side view thereof;

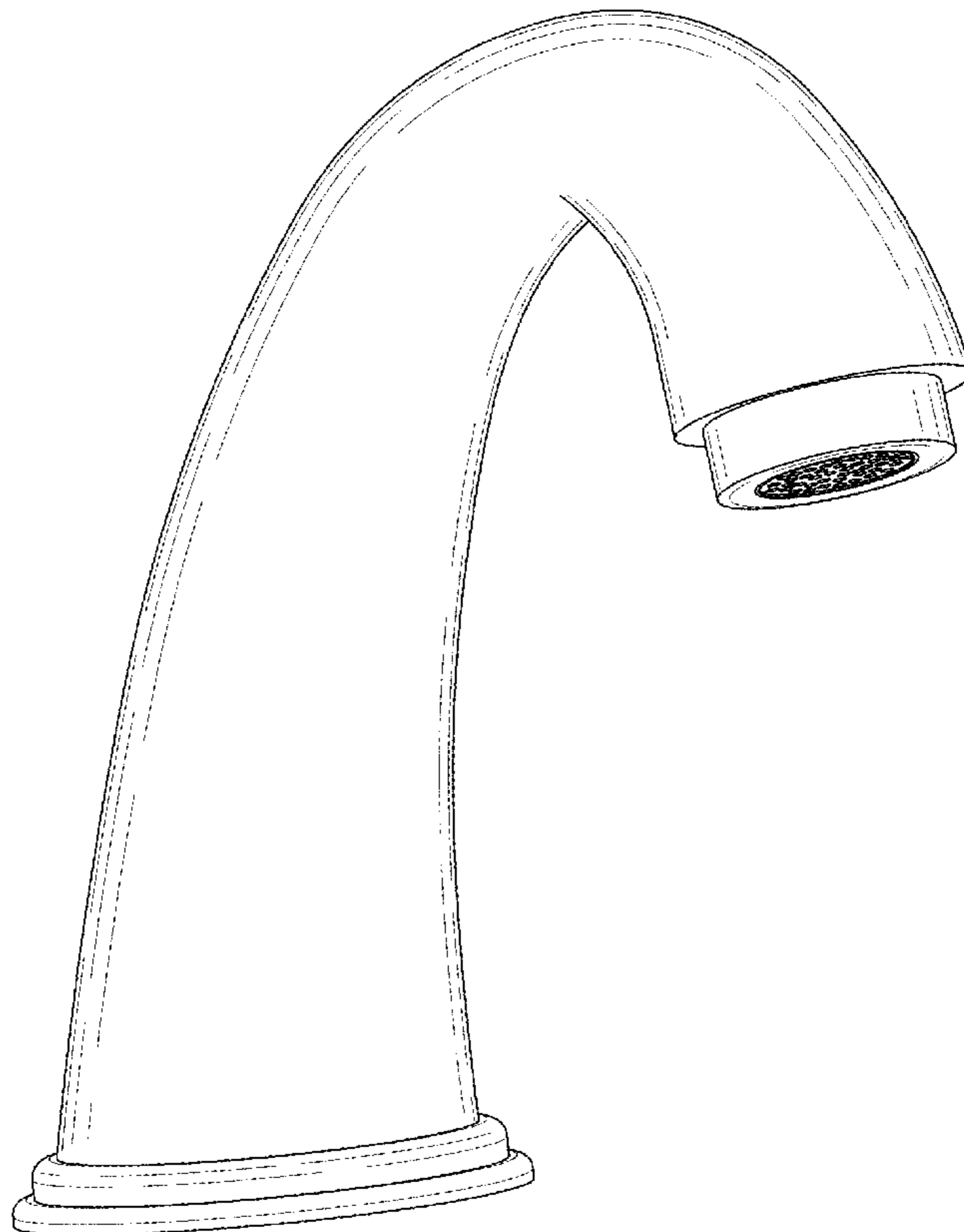
FIG. 5 is a right-side view thereof;

FIG. 6 is a top view thereof; and,

FIG. 7 is a bottom view thereof.

The broken lines in the drawings depict portions of the bathroom faucet that form no part of the claimed design.

**1 Claim, 7 Drawing Sheets**



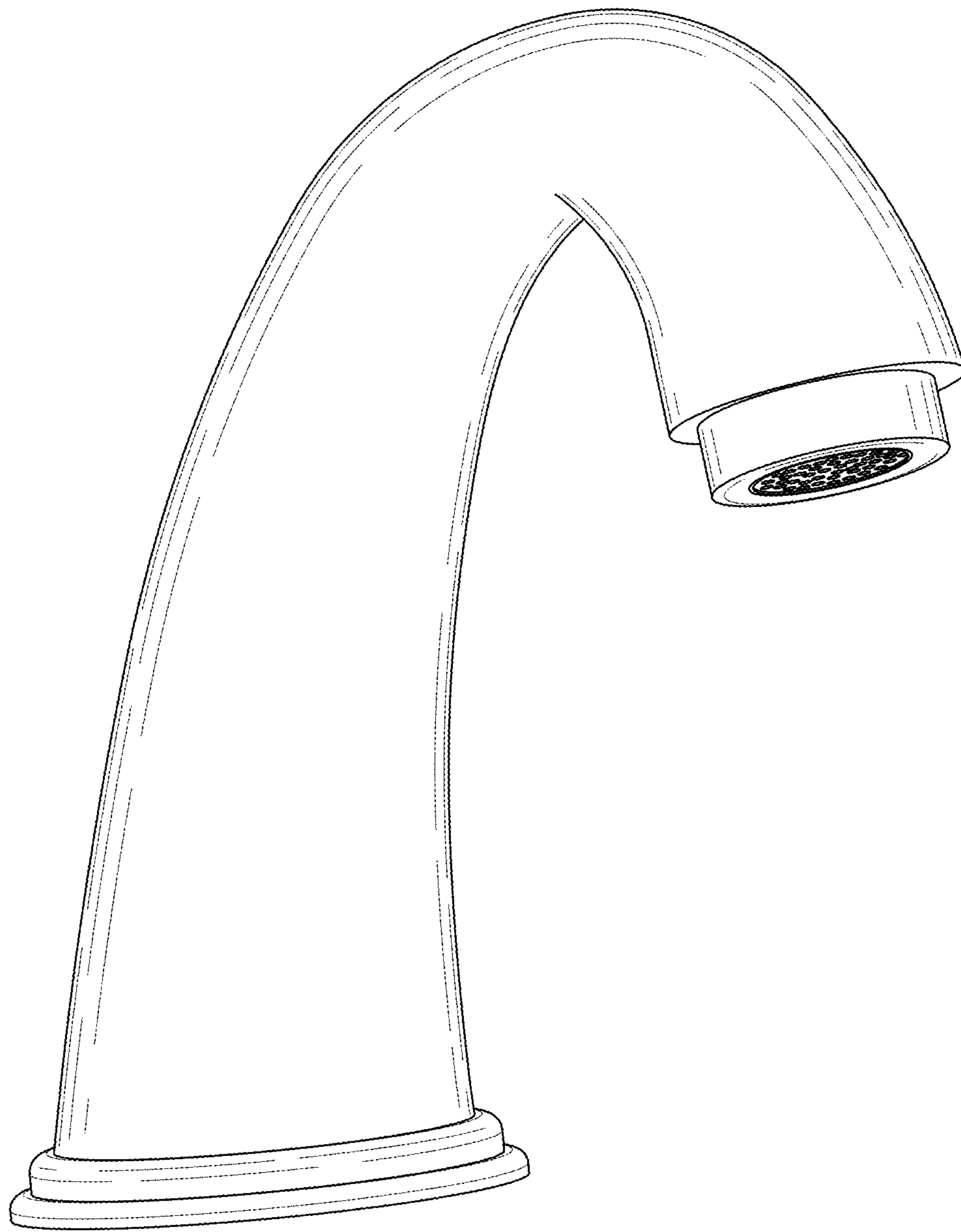


FIG. 1

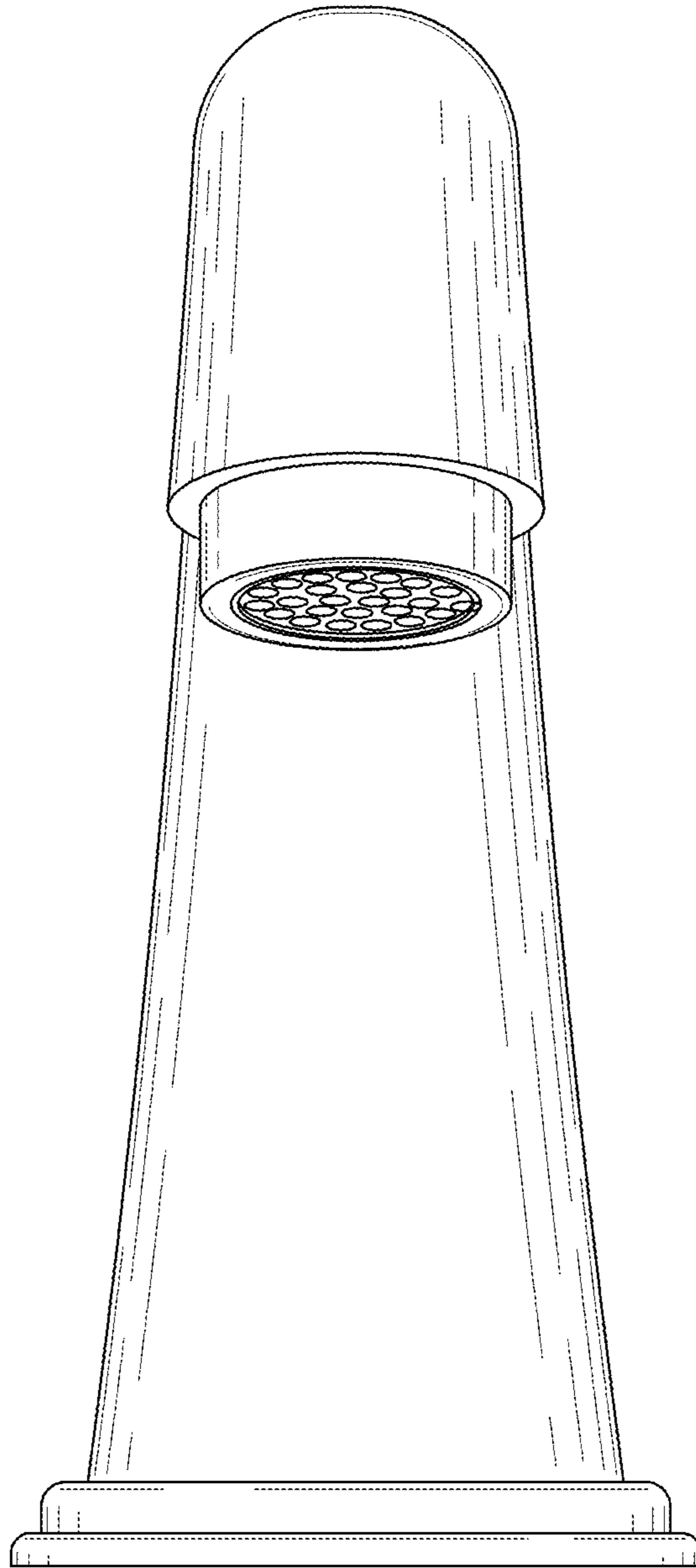


FIG. 2

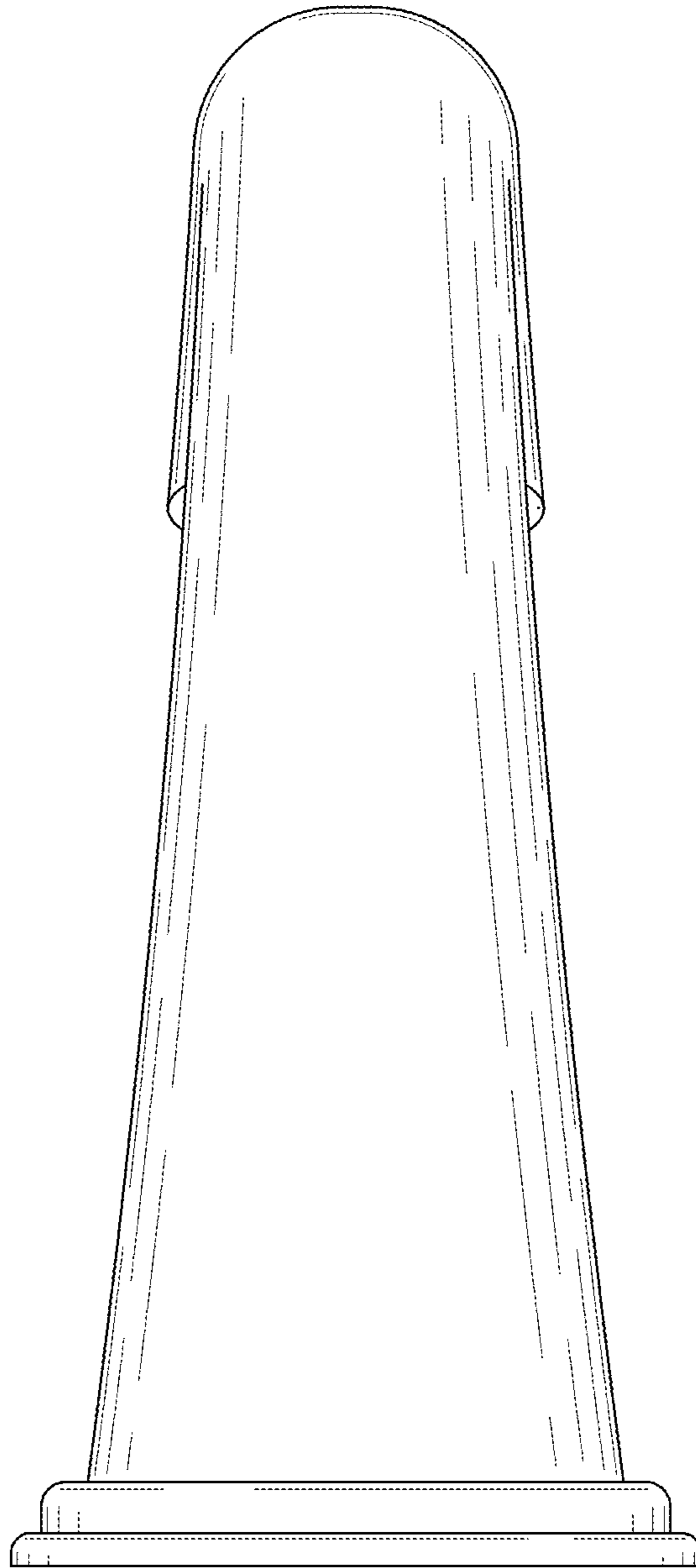


FIG. 3

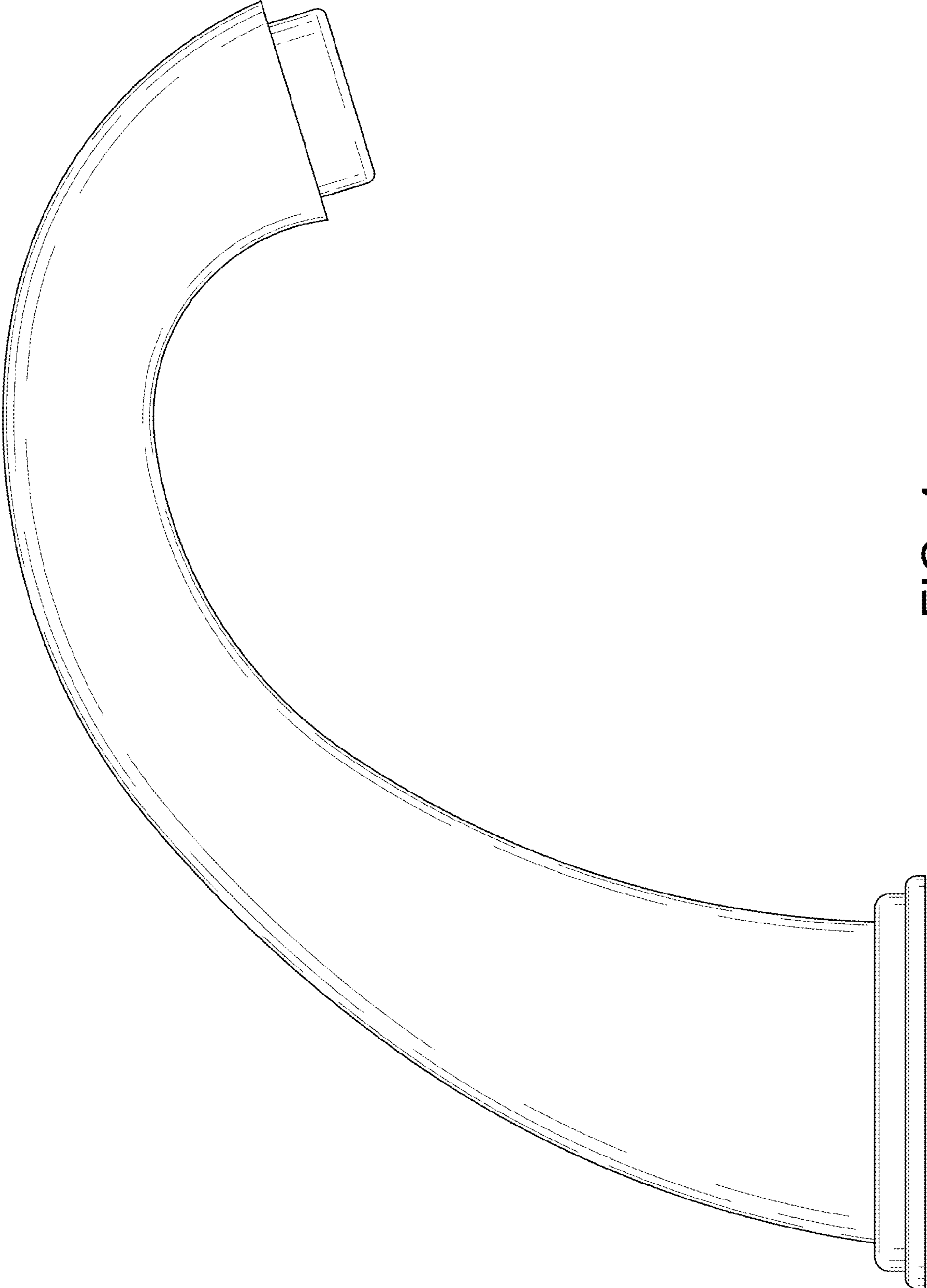


FIG. 4

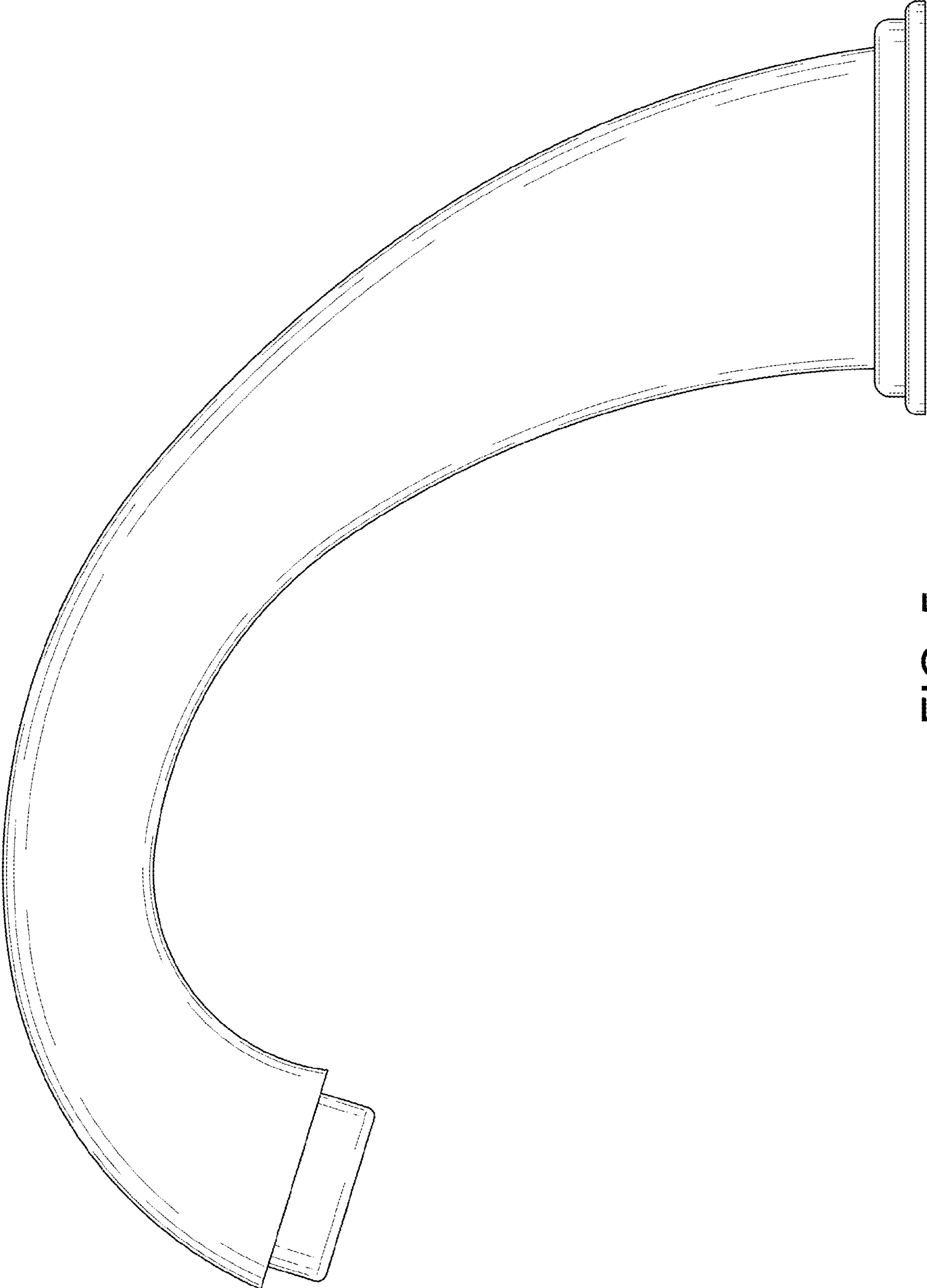


FIG. 5

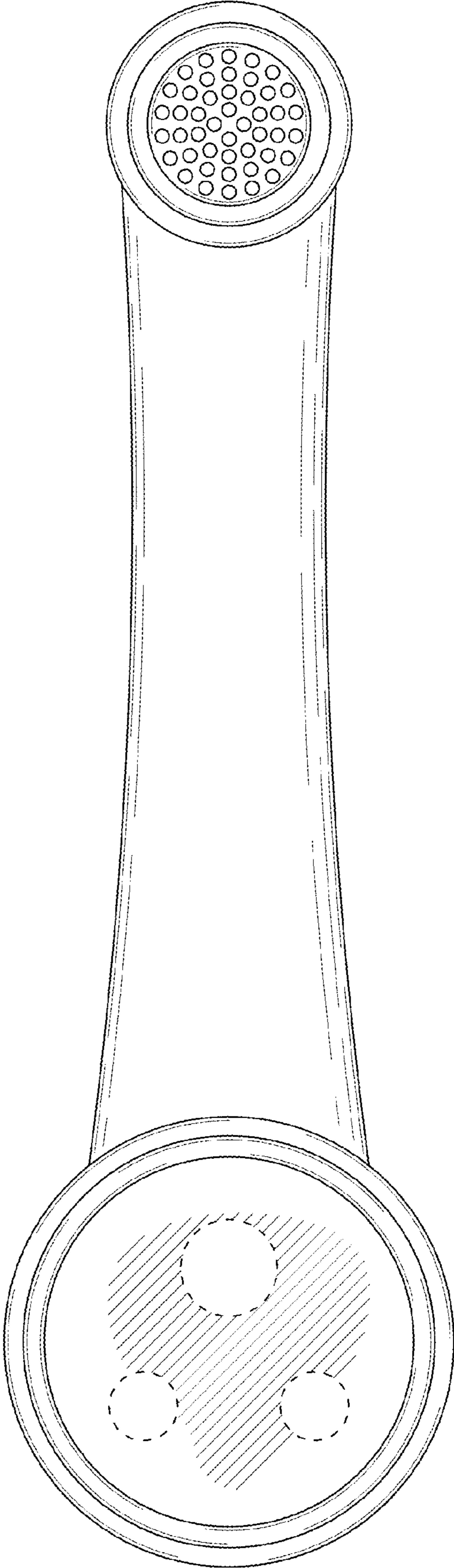


FIG. 6

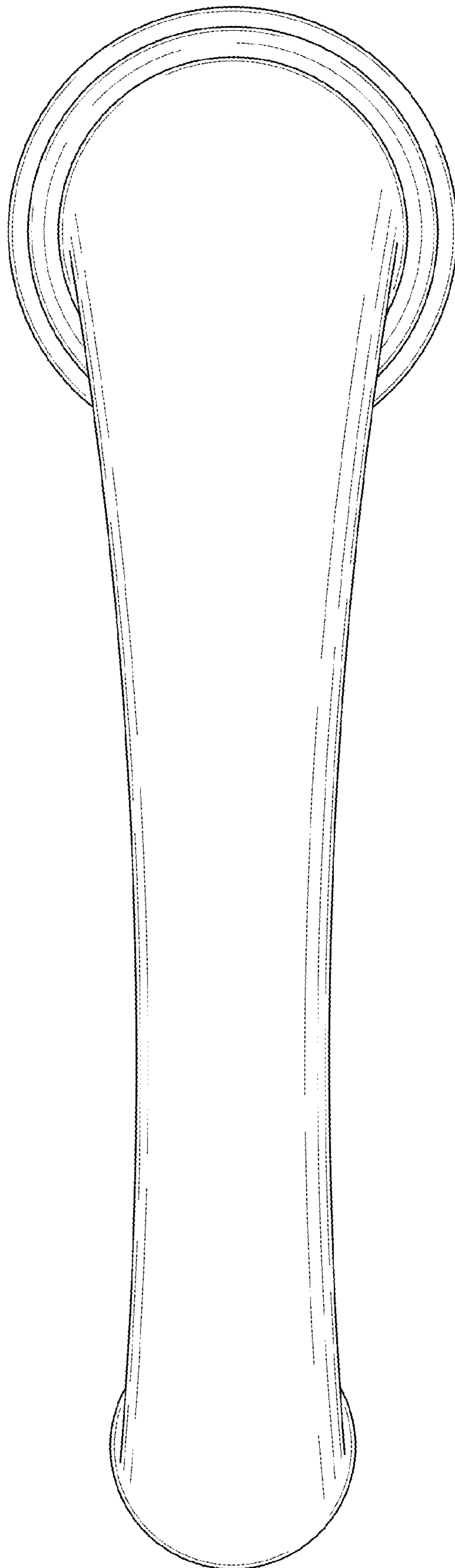


FIG. 7